



Message Specification

ATLAS Transport status

Based on:

IFTSTA

International multimodal status report message

UN D.97B S3

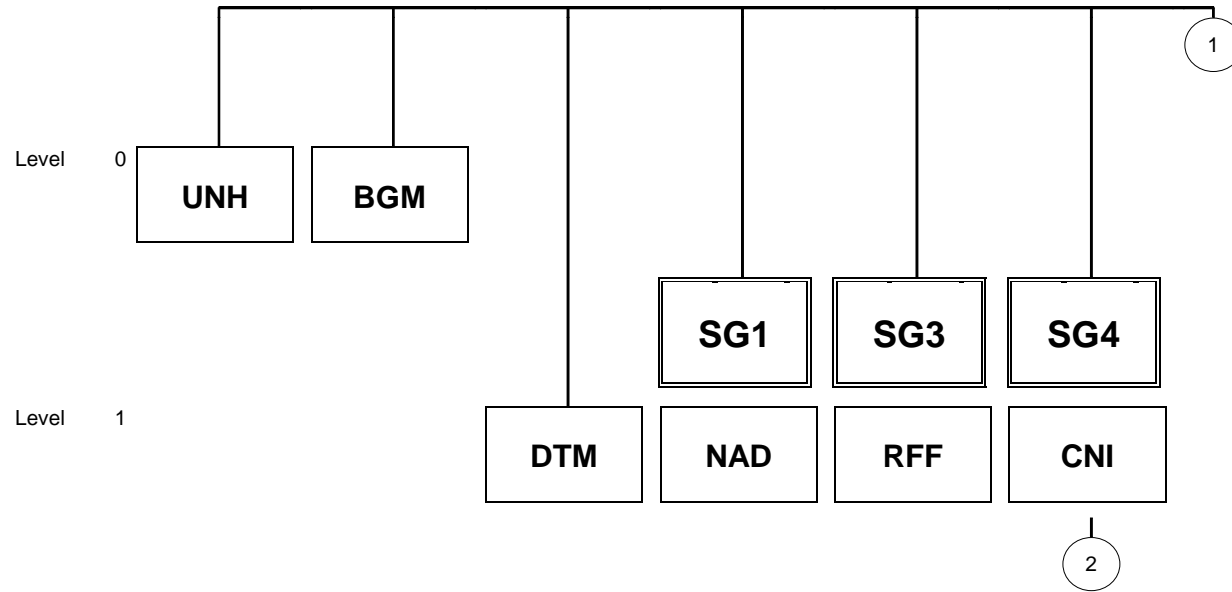
Version: 1.1
Variant: PROD
Issue date: 2014-10-02
Author: Volvo Information Technology AB

Revisions

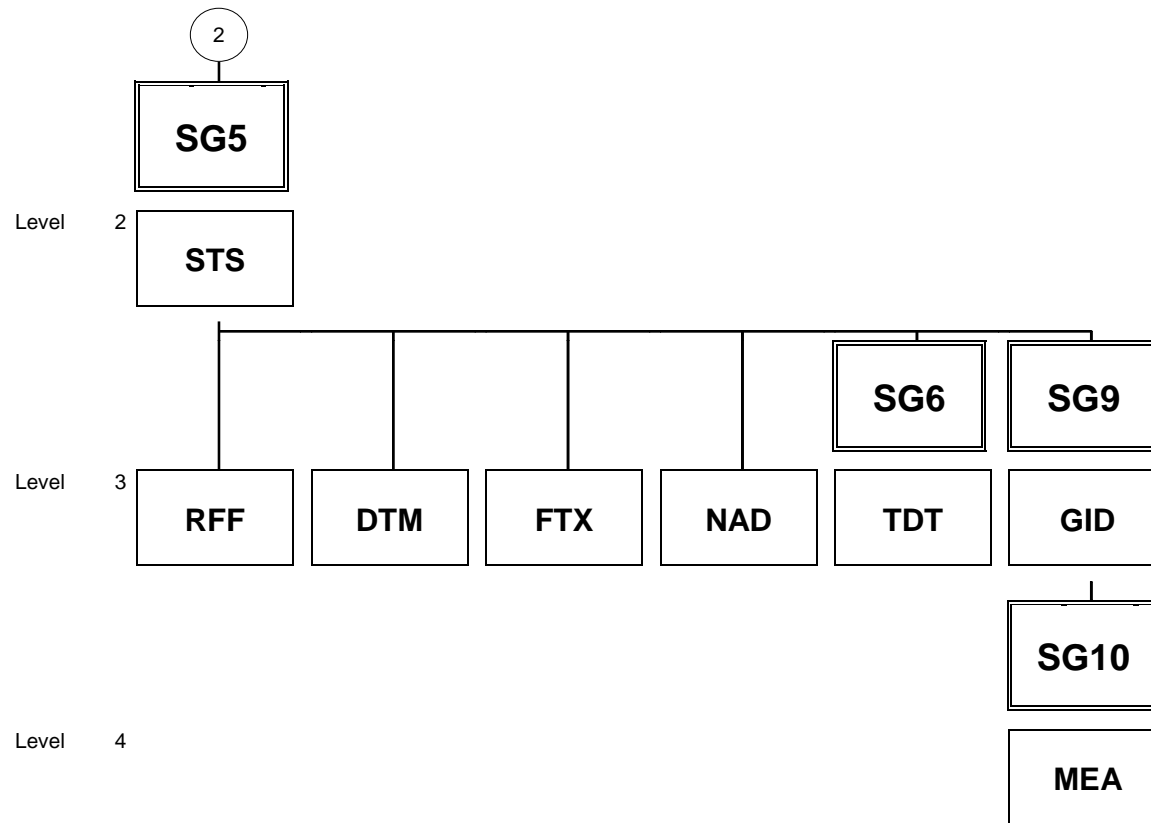
Date	Revision	Remarks
2014-09-01	1.1	1. Additional and change of transport stage qualifier in SG6.TDT segment.
2013-10-04	1.0	First published revision.

Counter	No	Tag	St	MaxOcc	Level	Content
0010	1	UNH	M	1	0	MESSAGE HEADER
0020	2	BGM	M	1	0	BEGINNING OF MESSAGE
0030	3	DTM	M	1	1	DATE/TIME/PERIOD
0050		SG1	M	1	1	NAD
0060	4	NAD	M	3	1	NAME AND ADDRESS
0100		SG3	D	9	1	RFF
0110	5	RFF	M	1	1	REFERENCE
0160		SG4	M	999	1	CNI-SG5
0170	6	CNI	M	1	1	CONSIGNMENT INFORMATION
0200		SG5	M	99	2	STS-RFF-DTM-FTX-NAD-SG6-SG9
0210	7	STS	M	1	2	STATUS
0220	8	RFF	R	1	3	REFERENCE
0230	9	DTM	R	1	3	DATE/TIME/PERIOD
0250	10	FTX	D	1	3	FREE TEXT
0260	11	NAD	D	2	3	NAME AND ADDRESS
0290		SG6	D	99	3	TDT
0300	12	TDT	M	1	3	DETAILS OF TRANSPORT
0450		SG9	D	1	3	GID-SG10
0460	13	GID	M	1	3	GOODS ITEM DETAILS
0510		SG10	R	99	4	MEA
0520	14	MEA	M	1	4	MEASUREMENTS
0600	15	UNT	M	1	0	MESSAGE TRAILER

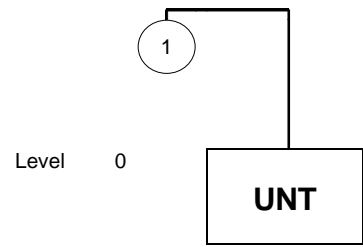
Branching Diagram of Used Segments/Groups



ATLAS Transport status



ATLAS Transport status



ATLAS TRANSPORT STATUS

Segment details

Segment: UNH
 Seq. No.: 1 Level: 0 **MESSAGE HEADER**
 Status: M Max. Occ.: 1
 Counter: 0010

Name: MESSAGE HEADER

Description of segment:

A service segment starting and uniquely identifying a message. The message type code for the International multimodal status report message is IFTSTA.

UN/EDIFACT			Implementation	
	Name	St Format	St Format	Use / Remarks
UNH				
0062	Message reference number	M an..14	M an..14	
S009	MESSAGE IDENTIFIER	M	M	
0065	Message type identifier	M an..6	M an..6	IFTSTA = International multimodal status report message
0052	Message type version number	M an..3	M an..3	D = Draft version/UN/EDIFACT Directory
0054	Message type release number	M an..3	M an..3	97B = Release 1997 - B
0051	Controlling agency	M an..2	M an..2	UN = UN/ECE/TRADE/WP.4
0057	Association assigned code	C an..6	M an..6	VT0055 = ATLAS R4

Remark:

Example:

UNH+001+IFTSTA:D:97B:UN:VT0055'

ATLAS TRANSPORT STATUS

Segment details

Segment: BGM
 Seq. No.: 2 Level: 0 **BEGINNING OF MESSAGE**
 Status: M Max. Occ.: 1
 Counter: 0020

Name: **BEGINNING OF MESSAGE**

Description of segment:

A segment indicating the beginning of a message and identifying the consignment for which status is being reported.

UN/EDIFACT			Implementation		
	Name	St Format	St Format	Use / Remarks	
BGM					
C002	DOCUMENT/MESSAGE NAME	C	M		
1001	Document/message name, coded [C]	C an..3	R an..3	44	= Transport status report
C106	DOCUMENT/MESSAGE IDENTIFICATION	C	R		
1004	Document/message number [C]	C an..35	R an..35		Mandatory to use TB id from IFTMBF message segment BGM element 1004
1225	Message function, coded [C]	C an..3	R an..3	8	= Status

Remark:

Example:

BGM+44+B01234567890+8'

ATLAS TRANSPORT STATUS

Segment details

Segment: DTM
 Seq. No.: 3 Level: 1 **DATE/TIME/PERIOD**
 Status: M Max. Occ.: 1
 Counter: 0030

Name: DATE/TIME/PERIOD

Description of segment:

A segment indicating the date of the message.

UN/EDIFACT			Implementation		
	Name	St Format	St Format	Use / Remarks	
DTM					
C507	DATE/TIME/PERIOD	M	M		
2005	Date/time/period qualifier [B]	M an..3	M an..3	182	= Issue date
2380	Date/time/period [C]	C an..35	R an..35		
2379	Date/time/period format qualifier [B]	C an..3	R an..3	304	= CCYYMMDDHHMMSSZZZ ZZZ to reflect the relationship towards UTC time, where UTC represents +00.

Remark:

Example:

DTM+182:20110613100721?+01:304'

ATLAS TRANSPORT STATUS

Segment details

Group: SG1 Status: M Max. Occ.: 1 NAD

Segment: NAD Seq. No.: 4 Level: 1 **NAME AND ADDRESS**
 Status: M Max. Occ.: 3
 Counter: 0060

Name: **NAME AND ADDRESS**

Description of segment:

A segment specifying the name and/or address associated with the event such as notify party, terminal address, trucking company for gate move.

UN/EDIFACT		Implementation		
	Name	St Format	St Format	Use / Remarks
NAD 3035	Party qualifier [C]	M an..3	M an..3	Either CA or OP must be used. CA = Carrier FW = Freight forwarder OP = Operator of property or unit <i>Qualifier OP only to be used by x-docks contracted by Volvo (equals to CN or CZ in the IFTMBF).</i>
C082	PARTY IDENTIFICATION DETAILS	C	R	
3039	Party identification [C]	M an..35	M an..35	PARMA id provided by Volvo.
1131	Code list qualifier [C]	C an..3	N	not used
3055	Code list responsible agency, coded [C]	C an..3	R an..3	92 = Assigned by buyer or buyer's agent
C058	NAME AND ADDRESS	C	N	not used
3124	Name and address line [B]	M an..35	N	not used
C080	PARTY NAME	C	D	
3036	Party name [C]	M an..35	M an..35	

Remark:

Example:

NAD+FW+1705::92++VOLVO GROUP LOGISTICS SERVICES'

ATLAS TRANSPORT STATUS

Segment details

Group: **SG4** Status: M Max. Occ.: 999 CNI-SG5

Segment: **CNI** Seq. No.: 6 Level: 1 **CONSIGNMENT INFORMATION**
 Status: M Max. Occ.: 1
 Counter: 0170

Name: **CONSIGNMENT INFORMATION**

Description of segment:

A segment to identify a consignment for which status details are given.

UN/EDIFACT		Implementation		
	Name	St Format	St Format	Use / Remarks
CNI				
1490	Consolidation item number [B]	C n..4	R n..4	Sequential numbering. 1, 2, 3, etc

Remark:

All SRN's(SSU/TBR's) sent in one message must always belong to the same TB, which is sent in BGM 1004. It is allowed to send the SRN's belonging to one TB id in individual messages, each one repeating the same TB id. It is also allowed to send several/all SRN's belonging to the same TB id in one message by looping SG4 (CNI).

Example:

CNI+1 '

ATLAS TRANSPORT STATUS

Segment details

UN/EDIFACT			Implementation	
	Name	St Format	St Format	Use / Remarks
1131	Code list qualifier [C]	C an..3	N	not used
3055	Code list responsible agency, coded [C]	C an..3	R an..3	92 = Assigned by buyer or buyer's agent

Remark:

Example:

STS+1+13::92'

ATLAS TRANSPORT STATUS

Segment details

Group:	SG4	Status: M	Max. Occ.: 999	CNI-SG5
Group:	SG5	Status: M	Max. Occ.: 99	STS-RFF-DTM-FTX-NAD-SG6-SG9
Segment:	FTX	Seq. No.: 10 Status: D Counter: 0250	Level: 3 Max. Occ.: 1	FREE TEXT

Name: FREE TEXT

Description of segment:

A segment specifying processable information relating to the status.

UN/EDIFACT		Implementation		
	Name	St Format	St Format	Use / Remarks
FTX				
4451	Text subject qualifier [C]	M an..3	R an..3	OSI = Other service information
4453	Text function, coded [B]	C an..3	N	not used
C107	TEXT REFERENCE	C	N	not used
4441	Free text identification [B]	M an..17	N	not used
C108	TEXT LITERAL	C	R	
4440	Free text [C]	M an..70	M an..70	
4440	Free text [C]	C an..70	D an..70	If needed
4440	Free text [C]	C an..70	D an..70	If needed
4440	Free text [C]	C an..70	D an..70	If needed
4440	Free text [C]	C an..70	D an..70	If needed

Remark:

Required for status code 18, 20, 53, DP or MOD, in STS element 9011, to specify status reason. For 85 the reason should be given if available.

Example:

FTX+OSI+++GOODS NOT READY FOR PICK-UP AT SUPPLIER '

ATLAS TRANSPORT STATUS

Segment details

Group:	SG4	Status: M	Max. Occ.: 999	CNI-SG5
Group:	SG5	Status: M	Max. Occ.: 99	STS-RFF-DTM-FTX-NAD-SG6-SG9
Segment:	NAD	Seq. No.: 11	Level: 3	NAME AND ADDRESS
		Status: D	Max. Occ.: 2	
		Counter: 0260		

Name: NAME AND ADDRESS

Description of segment:

A segment specifying the name and/or address associated with the event such as notify party, terminal address, trucking company for gate move.

UN/EDIFACT			Implementation	
	Name	St Format	St Format	Use / Remarks
NAD				
3035	Party qualifier [C]	M an..3	M an..3	CN = Consignee CZ = Consignor
C082	PARTY IDENTIFICATION DETAILS	C	D	Used when party identification number is required or known.
3039	Party identification [C]	M an..35	R an..35	Partner id provided by Volvo.
1131	Code list qualifier [C]	C an..3	N	not used
3055	Code list responsible agency, coded [C]	C an..3	R an..3	92 = Assigned by buyer or buyer's agent
C058	NAME AND ADDRESS	C	N	not used
3124	Name and address line [B]	M an..35	N	not used
C080	PARTY NAME	C	D	
3036	Party name [C]	M an..35	R an..35	
C059	STREET	C	D	
3042	Street and number/p.o. box [B]	M an..35	R an..35	
3164	City name [C]	C an..35	D an..35	
3229	Country sub-entity identification [C]	C an..9	D an..9	
3251	Postcode identification [C]	C an..9	D an..9	
3207	Country, coded [C]	C an..3	D an..3	Use ISO 3166 two alpha country code.

Remark:

Used when available

Example:

NAD+CN+123456::92++SUPPLIER+SUPPLIER STREET+VENDOR TOWN+FL+32219+US '

ATLAS TRANSPORT STATUS

Segment details

Group: **SG4** Status: M Max. Occ.: 999 CNI-SG5

Group: **SG5** Status: M Max. Occ.: 99 STS-RFF-DTM-FTX-NAD-SG6-SG9

Group: **SG6** Status: D Max. Occ.: 99 TDT
 Not used when proof of delivery (74) or Modification (MOD).

Segment: **TDT** Seq. No.: 12 Level: 3 **DETAILS OF TRANSPORT**
 Status: M Max. Occ.: 1
 Counter: 0300

Name: DETAILS OF TRANSPORT

Description of segment:

A segment identifying conveyance related to the status or event such as flight, vessel/voyage.

UN/EDIFACT		Implementation		
	Name	St Format	St Format	Use / Remarks
TDT				
8051	Transport stage qualifier [B]	M an..3	M an..3	10 = Pre-carriage transport 20 = Main-carriage transport 25 = Delivery carrier all transport 30 = On-carriage transport MK1 = Milk Run 1st <i>A transport leg that starts at one or several First Consignors and ends at one X-dock and /or ends at one- or several Last consignees.</i> MK2 = Milk Run 2nd <i>A transport leg that starts at one X-dock and ends at one X-dock in combination with one or several Last Consignees or ends at one or several Last consignees.</i>
8028	Conveyance reference number [B]	C an..17	N	not used
C220	MODE OF TRANSPORT	C	N	not used
8067	Mode of transport, coded [B]	C an..3	N	not used
C228	TRANSPORT MEANS	C	N	not used
8179	Type of means of transport identification [C]	C an..8	N	not used
C040	CARRIER	C	N	not used
3127	Carrier identification [B]	C an..17	N	not used
8101	Transit direction, coded [B]	C an..3	N	not used
C401	EXCESS TRANSPORTATION INFORMATION	C	N	not used
8457	Excess transportation reason, coded [B]	M an..3	N	not used
C222	TRANSPORT IDENTIFICATION	C	R	
8213	Id. of means of transport identification [B]	C an..9	N	not used
1131	Code list qualifier [C]	C an..3	N	not used
3055	Code list responsible agency, coded [C]	C an..3	N	not used
				If available. Used for road transport: License plate of truck/trailer

ATLAS TRANSPORT STATUS

Segment details

Not used when proof of delivery (74) or Modification (MOD).

UN/EDIFACT		Implementation		
	Name	St Format	St Format	Use / Remarks
8212	Id. of the means of transport [B]	C an..35	D an..35	number for unit arriving consignee.

Remark:

Example:

TDT+10+++++++:::ABC123'

ATLAS TRANSPORT STATUS

Segment details

Group: **SG4** Status: M Max. Occ.: 999 CNI-SG5

Group: **SG5** Status: M Max. Occ.: 99 STS-RFF-DTM-FTX-NAD-SG6-SG9

Group: **SG9** Status: D Max. Occ.: 1 GID-SG10

Must be used when STS element 9011 code is 13, 74 or MOD. For any other codes given in STS element 9011 information in SG9 will not be processed.

Segment: **GID** Seq. No.: 13 Level: 3 **GOODS ITEM DETAILS**
 Status: M Max. Occ.: 1
 Counter: 0460

Name: **GOODS ITEM DETAILS**

Description of segment:

A segment identifying a goods item.

UN/EDIFACT			Implementation	
	Name	St Format	St Format	Use / Remarks
GID				
1496	Goods item number [B]	C n..5	N	not used
C213	NUMBER AND TYPE OF PACKAGES	C	R	
7224	Number of packages [B]	C n..8	R n..8	

Remark:

Example:

GID++9 '

ATLAS TRANSPORT STATUS

Segment details

Group: **SG4** Status: M Max. Occ.: 999 CNI-SG5

Group: **SG5** Status: M Max. Occ.: 99 STS-RFF-DTM-FTX-NAD-SG6-SG9

Group: **SG9** Status: D Max. Occ.: 1 GID-SG10

Group: **SG10** Status: R Max. Occ.: 99 MEA

Used to specify volume and weight for goods item.

Segment: **MEA** Seq. No.: 14 Level: 4 **MEASUREMENTS**
 Status: M Max. Occ.: 1
 Counter: 0520

Name: MEASUREMENTS

Description of segment:

A segment specifying measurements, other than dimension, of a goods item.

UN/EDIFACT		Implementation		
	Name	St Format	St Format	Use / Remarks
MEA				
6311	Measurement purpose qualifier [B]	M an..3	M an..3	AAE = Measurement
C502	MEASUREMENT DETAILS	C	R	Required with qualifiers AAD and AAW.
6313	Property measured, coded [B]	C an..3	R an..3	AAD = Total gross weight AAW = Gross volume
C174	VALUE/RANGE	C	R	
6411	Measure unit qualifier [C]	M an..3	M an..3	FTQ = cubic foot KGM = kilogram LBR = pound MTQ = cubic metre
6314	Measurement value [C]	C an..18	R an..18	

Remark:

Example:

MEA+AAE+AAD+KGM: 1 5 2 3 '
 MEA+AAE+AAW+MTQ: 5 . 3 5 '

ATLAS TRANSPORT STATUS

Segment details

Segment:

UNT

Seq. No.: 15 Level: 0
Status: M Max. Occ.: 1
Counter: 0600

MESSAGE TRAILER

Name: **MESSAGE TRAILER**

Description of segment:

A service segment ending a message, giving the total number of segments in the message and the control reference number of the message.

UN/EDIFACT		Implementation		
	Name	St Format	St Format	Use / Remarks
UNT				
0074	Number of segments in a message	M n..6	M n..6	
0062	Message reference number	M an..14	M an..14	

Remark:

Example:

UNT+24+001 '