



Message Specification

A4D Sailing schedule

Based on:

IFTSAI

Forwarding and transport schedule and availability information message

UN D.98B S3

Version: 3.2
Issue date: 2015-02-20
Author: Volvo Information Technology AB

A4D Sailing schedule

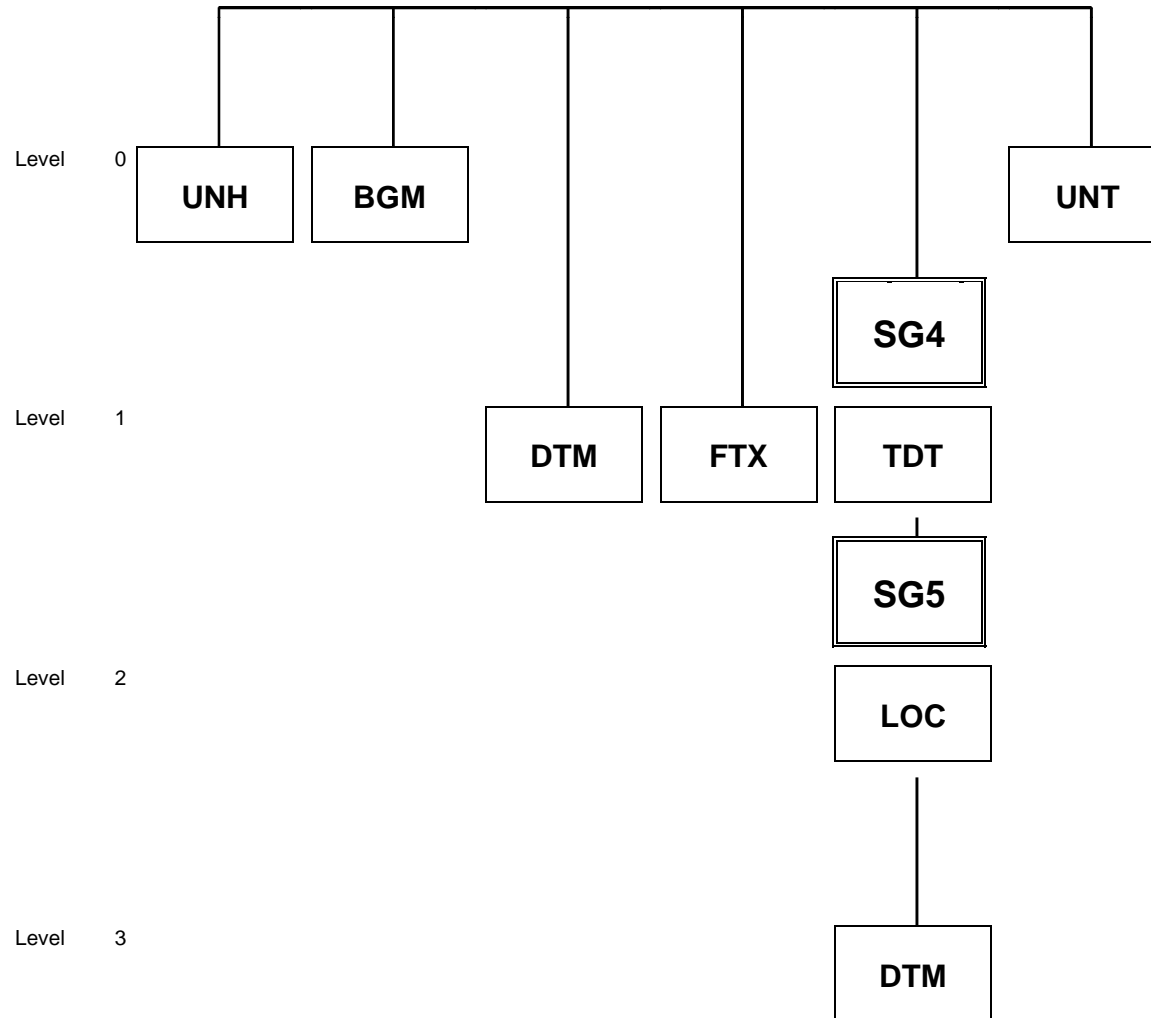
Message Structure

Counter	No	Tag	St	MaxOcc	Level	Content
0010	1	UNH	M	1	0	Message header
0020	2	BGM	M	1	0	Beginning of message
0030	3	DTM	R	1	1	Date/time/period
0040	4	FTX	D	1	1	Free text
0190		SG4	R	1	1	TDT-SG5
0200	5	TDT	M	1	1	Details of transport
0280		SG5	D	99	2	LOC-DTM
0290	6	LOC	M	1	2	Place/location identification
0300	7	DTM	D	6	3	Date/time/period
0540	8	UNT	M	1	0	Message trailer

Counter = Counter of segment/group within the standard
 No = Consecutive segment number
 MaxOcc = Maximum occurrence of the segment/group

St = Status
 EDIFACT: M=Mandatory, C=Conditional
 User specific: R=Required, O=Optional, D=Dependent,
 A=Advised, N=Not used

Branching Diagram of Used Segments/Groups



A4D SAILING SCHEDULE

Segment details

Segment: UNH
 Seq. No.: 1 Level: 0 **Message header**
 Status: M Max. Occ.: 1
 Counter: 0010

Name: Message header

Description of segment:

A service segment starting and uniquely identifying a message. The message type code for the Forwarding and transport schedule and availability information message is IFTSAI.

UN/EDIFACT		Implementation		
	Name	St Format	St Format	Use / Remarks
UNH				
0062	Message reference number	M an..14	M an..14	
S009	Message identifier	M	M	
0065	Message type identifier	M an..6	M an..6	IFTSAI = Forwarding and transport schedule and availability information message
0052	Message version number	M an..3	M an..3	D = Draft version/UN/EDIFACT Directory
0054	Message release number	M an..3	M an..3	98B = Release 1998 - B
0051	Controlling agency	M an..2	M an..2	UN = UN/ECE/TRADE/WP.4
0057	Association assigned code	C an..6	R an..6	VT0020 = A4D Sailing Schedule
0068	Common access reference	C an..35	N	not used
S010	Status of the transfer	C	R	
0070	Sequence of transfers	M n..2	M n..2	
0073	First/last sequence message transfer indication	C a1	R a1	C = Creation F = Final

Remark:

Example:

UNH+0123+IFTSAI:D:98B:UN:VT0020++1:F'

A4D SAILING SCHEDULE

Segment details

Segment: BGM
 Seq. No.: 2 Level: 0 **Beginning of message**
 Status: M Max. Occ.: 1
 Counter: 0020

Name: Beginning of message

Description of segment:

A segment to indicate the type and function of the message and to transmit the identifying number.

UN/EDIFACT		Implementation		
	Name	St Format	St Format	Use / Remarks
BGM				
C002	Document/message name	C	N	not used
1001	Document/message name, coded	C an..3	N	not used
C106	Document/message identification	C	R	
1004	Document/message number	C an..35	R an..35	When message function (1225) is original (9) the issuer should assign a unique document/message number (1004). When message function (1225) is other than original (9) the document/message number (1004) in the original message should be used.
1225	Message function, coded	C an..3	C an..3	1 = Cancellation <i>Used when a whole sailing schedule is cancelled.</i> 2 = Addition <i>Used to add a port.</i> 3 = Deletion <i>Used to delete a port.</i> 4 = Change <i>Used to change dates on existing ports and to change name of ship.</i> 9 = Original Code '9' is assumed if not used. An "original" must be sent before any other qualifier is used.

Remark:

Example:

BGM++0123456789+9'

A4D SAILING SCHEDULE

Segment details

Segment: DTM
 Seq. No.: 3 Level: 1 Date/time/period
 Status: R Max. Occ.: 1
 Counter: 0030

Name: Date/time/period

Description of segment:

A segment to indicate date(s) and time(s) applying to the whole message.

UN/EDIFACT			Implementation	
	Name	St Format	St Format	Use / Remarks
DTM				
C507	Date/time/period	M	M	
2005	Date/time/period qualifier	M an..3	M an..3	182 = Issue date
2380	Date/time/period	C an..35	R an..35	
2379	Date/time/period format qualifier	C an..3	R an..3	204 = CCYYMMDDHHMMSS

Remark:

Example:

DTM+182:20141119123315:204'

A4D SAILING SCHEDULE

Segment details

Segment: FTX
 Seq. No.: 4 Level: 1 **Free text**
 Status: D Max. Occ.: 1
 Counter: 0040

Name: **Free text**

Description of segment:

A segment to specify free form or processable supplementary information. In computer-to-computer exchanges free form text will normally require the receiver to process this segment manually.

UN/EDIFACT			Implementation	
	Name	St Format	St Format	Use / Remarks
FTX				
4451	Text subject qualifier	M an..3	M an..3	OSI = Other service information
4453	Text function, coded	C an..3	N	not used
C107	Text reference	C	N	not used
4441	Free text identification	M an..17	N	not used
C108	Text literal	C	R	
4440	Free text	M an..70	M an..70	
4440	Free text	C an..70	D an..70	Used if more than one line is needed.
4440	Free text	C an..70	D an..70	Used if more than two lines are needed.
4440	Free text	C an..70	D an..70	Used if more than three lines are needed.
4440	Free text	C an..70	D an..70	Used if more than four lines are needed.

Remark:

If additional information is needed.

Example:

FTX+OSI+++ADDITIONAL INFORMATION '

A4D SAILING SCHEDULE

Segment details

Group: SG4 Status: R Max. Occ.: 1 TDT-SG5

Segment: TDT Seq. No.: 5 Level: 1 **Details of transport**
 Status: M Max. Occ.: 1
 Counter: 0200

Name: **Details of transport**

Description of segment:

A segment to indicate information related to the mode and means of transport, eg. specific conveyance/carrier.

UN/EDIFACT		Implementation		
	Name	St Format	St Format	Use / Remarks
TDT				
8051	Transport stage qualifier	M an..3	M an..3	20 = Main-carriage transport
8028	Conveyance reference number	C an..17	R an..17	Use voyage number.
C220	Mode of transport	C	R	
8067	Mode of transport, coded	C an..3	R an..3	10 = Maritime transport 11 = Ferry transport
C228	Transport means	C	N	not used
8179	Type of means of transport identification	C an..8	N	not used
C040	Carrier	C	R	
3127	Carrier identification	C an..17	R an..17	PARMA id of carrier, provided by Volvo.
1131	Code list qualifier	C an..3	N	not used
3055	Code list responsible agency, coded	C an..3	R an..3	92 = Assigned by buyer or buyer's agent
3128	Carrier name	C an..35	R an..35	
8101	Transit direction, coded	C an..3	N	not used
C401	Excess transportation information	C	N	not used
8457	Excess transportation reason, coded	M an..3	N	not used
C222	Transport identification	C	R	
8213	Id. of means of transport identification	C an..9	N	not used
1131	Code list qualifier	C an..3	N	not used
3055	Code list responsible agency, coded	C an..3	N	not used
8212	Id. of the means of transport	C an..35	R an..35	Name of ship
8453	Nationality of means of transport, coded	C an..3	R an2	Use ISO 3166 two alpha country code.

Remark:

Only one voyage number per vessel and voyage.

Example:

TDT+20+VGLS201401+10++PARMA::92:CARRIER NAME+++::NAME OF SHIP:SE'

A4D SAILING SCHEDULE

Segment details

Group:	SG4	Status: R	Max. Occ.: 1	TDT-SG5
Group:	SG5	Status: D	Max. Occ.: 99	LOC-DTM
Segment:	LOC	Seq. No.: 6 Status: M Counter: 0290	Level: 2 Max. Occ.: 1	Place/location identification

Name: Place/location identification

Description of segment:

A segment to identify a location, e.g. place of departure/arrival.

UN/EDIFACT		Implementation		
	Name	St Format	St Format	Use / Remarks
LOC				
3227	Place/location qualifier	M an..3	M an..3	9 = Place/port of loading 11 = Place/port of discharge
C517	Location identification	C	R	
3225	Place/location identification	C an..25	R an..25	Use UN/LOCODE. 2-letter codes for countries according to ISO 3166-1. 1-3 characters for selected locations according to ISO 3166-2.
1131	Code list qualifier	C an..3	R an..3	139 = Port
3055	Code list responsible agency, coded	C an..3	D an..3	This segment is used only when other than UN/LOCODE is agreed in 3225.
C519	Related location one identification	C	D	
3223	Related place/location one identification	C an..25	R an..25	

Remark:

Example:

LOC+9+SEGOT1030:139'

A4D SAILING SCHEDULE

Segment details

Segment: UNT
 Seq. No.: 8 Level: 0 **Message trailer**
 Status: M Max. Occ.: 1
 Counter: 0540

Name: **Message trailer**

Description of segment:

A service segment ending a message, giving the total number of segments in the message and the control reference number of the message.

UN/EDIFACT		Implementation		
	Name	St Format	St Format	Use / Remarks
UNT				
0074	Number of segments in the message	M n..6	M n..6	
0062	Message reference number	M an..14	M an..14	

Remark:

Example:

UNT+8+0123 '