



Message Specification

## **A4D Booking Confirmation**

Based on:

**IFTMBC**

Booking confirmation message

**UN D.98B S3**

Version: 1.3  
Issue date: 2015-02-20  
Author: Volvo Information Technology AB

---

A4D Booking Confirmation

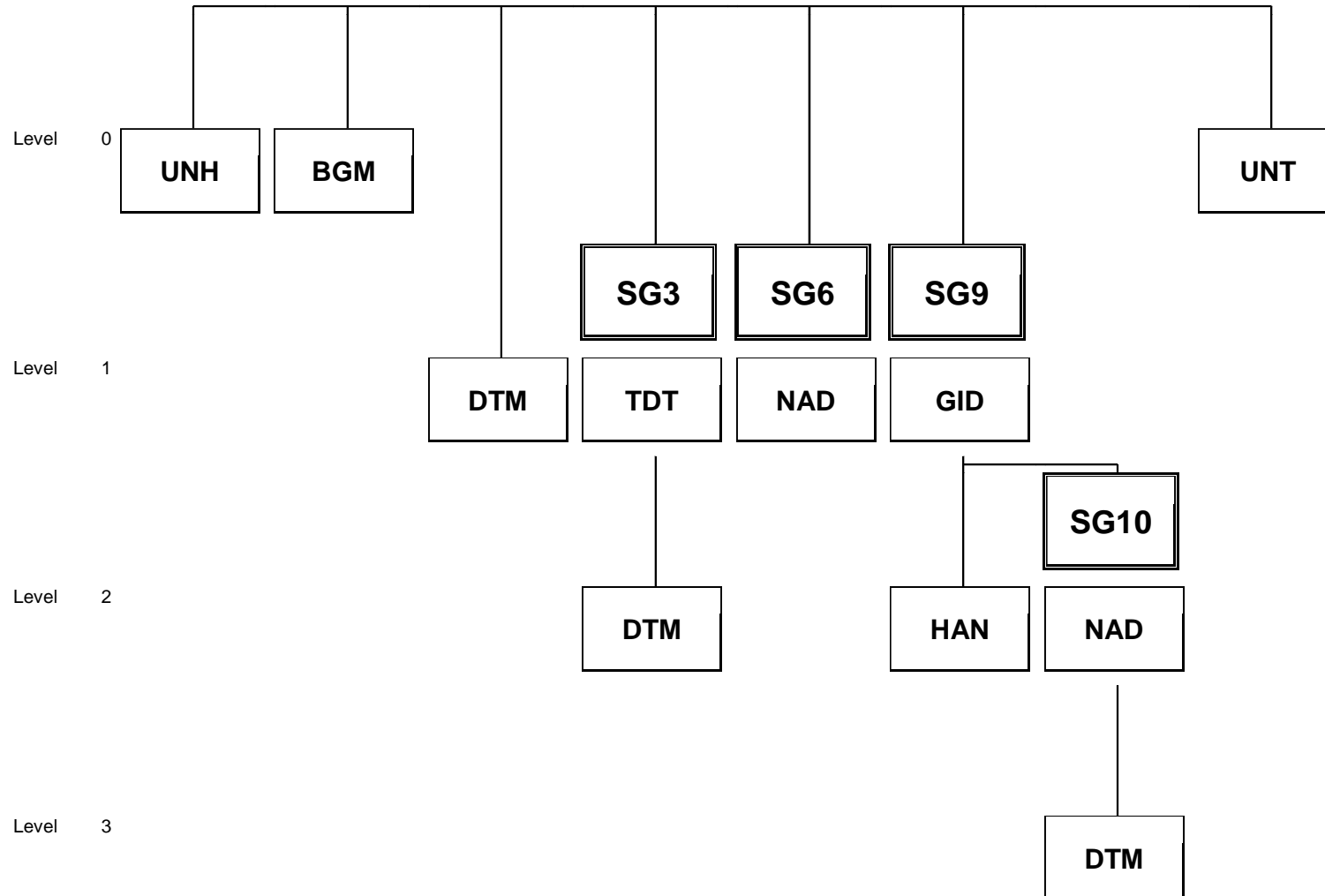
**Message Structure**

Counter	No	Tag	St	MaxOcc	Level	Content
0010	1	<b>UNH</b>	M	1	0	Message header
0020	2	<b>BGM</b>	M	1	0	Beginning of message
0050	3	<b>DTM</b>	R	1	1	Date/time/period
0160		<b>SG3</b>	R	1	1	TDT-DTM
0170	4	<b>TDT</b>	M	1	1	Details of transport
0180	5	<b>DTM</b>	M	1	2	Date/time/period
0260		<b>SG6</b>	R	2	1	NAD
0270	6	<b>NAD</b>	M	1	1	Name and address
0380		<b>SG9</b>	R	999	1	GID-HAN-SG10
0390	7	<b>GID</b>	M	1	1	Goods item details
0400	8	<b>HAN</b>	D	1	2	Handling instructions
0470		<b>SG10</b>	D	9	2	NAD-DTM
0480	9	<b>NAD</b>	M	1	2	Name and address
0490	10	<b>DTM</b>	R	1	3	Date/time/period
0860	11	<b>UNT</b>	M	1	0	Message trailer

Counter = Counter of segment/group within the standard  
 No = Consecutive segment number  
 MaxOcc = Maximum occurrence of the segment/group

St = Status  
 EDIFACT: M=Mandatory, C=Conditional  
 User specific: R=Required, O=Optional, D=Dependent,  
 A=Advised, N=Not used

### Branching Diagram of Used Segments/Groups



# A4D BOOKING CONFIRMATION

## Segment details

**Segment:**      UNH     
 Seq. No.:      1    Level:      0                      **Message header**  
 Status:         M    Max. Occ.:    1  
 Counter:        0010

**Name:**            **Message header**

**Description of segment:**

A service segment starting and uniquely identifying a message. The message type code for the Booking confirmation message is IFTMBC.

UN/EDIFACT		Implementation		
	Name	St Format	St Format	Use / Remarks
UNH				
0062	Message reference number	M an..14	M an..14	
S009	Message identifier	M	M	
0065	Message type identifier	M an..6	M an..6	<b>IFTMBC = Booking confirmation message</b>
0052	Message version number	M an..3	M an..3	<b>D = Draft version/UN/EDIFACT Directory</b>
0054	Message release number	M an..3	M an..3	<b>98B = Release 1998 - B</b>
0051	Controlling agency	M an..2	M an..2	<b>UN = UN/ECE/TRADE/WP.4</b>
0057	Association assigned code	C an..6	R an..6	<b>VT0080 = A4D Booking confirmation</b>

**Remark:**

Use one UNH for each lot/Loading plan.

**Example:**

UNH+01234+IFTMBC:D:98B:UN:VT0080'

# A4D BOOKING CONFIRMATION

## Segment details

**Segment:** BGM
 Seq. No.: 2 Level: 0 **Beginning of message**  
 Status: M Max. Occ.: 1  
 Counter: 0020

**Name:** Beginning of message

**Description of segment:**

A segment to indicate the beginning of a message and to transmit identifying number and type of the message.

UN/EDIFACT		Implementation		
	Name	St Format	St Format	Use / Remarks
BGM				
C002	Document/message name	C	R	
1001	Document/message name, coded	C an..3	R an..3	<b>770 = Booking confirmation</b>
C106	Document/message identification	C	R	
1004	Document/message number	C an..35	R an..35	
1225	Message function, coded	C an..3	D an..3	Code '9' is assumed if not used. <b>4 = Change</b> <i>All vehicles in a lot must always be sent, dependencless of the changes.</i> <b>9 = Original</b>

**Remark:**

**Example:**

BGM+770+012345+4 '

# A4D BOOKING CONFIRMATION

## Segment details

**Segment:** DTM
 Seq. No.: 3 Level: 1 **Date/time/period**  
 Status: R Max. Occ.: 1  
 Counter: 0050

**Name:** Date/time/period

**Description of segment:**

A segment to indicate a date and time applying to the whole message, e.g., date and time of document issue.

UN/EDIFACT		Implementation		
	Name	St Format	St Format	Use / Remarks
DTM				
C507	Date/time/period	M	M	
2005	Date/time/period qualifier	M an..3	M an..3	<b>182</b> = Issue date
2380	Date/time/period	C an..35	R an..35	
2379	Date/time/period format qualifier	C an..3	R an..3	<b>204</b> = CCYYMMDDHHMMSS

**Remark:**

**Example:**

DTM+182:20130517132712:204'

# A4D BOOKING CONFIRMATION

## Segment details

**Group:** **SG3**    Status: R    Max. Occ.: 1    TDT-DTM

**Segment:** **TDT**    Seq. No.: 4    Level: 1    **Details of transport**  
 Status: M    Max. Occ.: 1  
 Counter: 0170

**Name:**                    **Details of transport**

**Description of segment:**

A segment to indicate information related to a certain stage of the transport, such as mode, means and carrier.

UN/EDIFACT		Implementation		
	Name	St Format	St Format	Use / Remarks
TDT				
8051	Transport stage qualifier	M an..3	M an..3	<b>10</b> = Pre-carriage transport <b>20</b> = Main-carriage transport <b>30</b> = On-carriage transport
8028	Conveyance reference number	C an..17	D an..17	Licence plate identification. Used if known.
C220	Mode of transport	C	N	not used
8067	Mode of transport, coded	C an..3	N	not used
C228	Transport means	C	N	not used
8179	Type of means of transport identification	C an..8	N	not used
C040	Carrier	C	N	not used
3127	Carrier identification	C an..17	N	not used
8101	Transit direction, coded	C an..3	N	not used
C401	Excess transportation information	C	N	not used
8457	Excess transportation reason, coded	M an..3	N	not used
C222	Transport identification	C	R	
8213	Id. of means of transport identification	C an..9	N	not used
1131	Code list qualifier	C an..3	N	not used
3055	Code list responsible agency, coded	C an..3	N	not used
8212	Id. of the means of transport	C an..35	R an..35	Lot number / identification

**Remark:**

The LOT reference in C22.8212 must be unique and never repeated. To be able to fulfill this demand the preferred naming will be: abbreviation of name and reference.

**Example:**

TDT+10+ABCD01234+++++:::VGLS0123456'

# A4D BOOKING CONFIRMATION

## Segment details

**Group:** **SG3**    Status: R    Max. Occ.: 1    TDT-DTM

**Segment:** **DTM**    Seq. No.: 5    Level: 2    **Date/time/period**  
 Status: M    Max. Occ.: 1  
 Counter: 0180

**Name:**            **Date/time/period**

**Description of segment:**

A segment to indicate departure/arrival date and time.

UN/EDIFACT			Implementation	
	Name	St Format	St Format	Use / Remarks
DTM				
C507	Date/time/period	M	M	
2005	Date/time/period qualifier	M an..3	M an..3	<b>200 = Pick-up/collection date/time of cargo</b>
2380	Date/time/period	C an..35	R an..35	
2379	Date/time/period format qualifier	C an..3	R an..3	<b>203 = CCYYMMDDHHMM</b>

**Remark:**

**Example:**

DTM+200:201305171345:203'



# A4D BOOKING CONFIRMATION

## Segment details

**Group:** **SG6**    Status: R    Max. Occ.: 2    NAD

**Segment:** **NAD**    Seq. No.: 6    Level: 1    **Name and address**  
 Status: M    Max. Occ.: 1  
 Counter: 0270

**Name:**                    **Name and address**

**Description of segment:**

A segment to identify the party's name, address, and function.

UN/EDIFACT		Implementation		
	Name	St Format	St Format	Use / Remarks
NAD				
3035	Party qualifier	M an..3	M an..3	<b>CA</b> = <b>Carrier</b> <b>FW</b> = <b>Freight forwarder</b>
C082	Party identification details	C	R	
3039	Party identification	M an..35	M an..35	PARMA id provided by Volvo
1131	Code list qualifier	C an..3	N	not used
3055	Code list responsible agency, coded	C an..3	R an..3	<b>RA1</b> = <b>Assigned by freight forwarder</b>
C058	Name and address	C	R	
3124	Name and address line	M an..35	M an..35	The name of the party.

**Remark:**

**Example:**

NAD+CA+01705::RA1+NAME OF CARRIER'

# A4D BOOKING CONFIRMATION

## Segment details

**Group:** **SG9**    Status: R    Max. Occ.: 999    GID-HAN-SG10

**Segment:** **GID**    Seq. No.: 7    Level: 1    **Goods item details**  
 Status: M    Max. Occ.: 1  
 Counter: 0390

**Name:**            **Goods item details**

**Description of segment:**

A segment to identify a goods item for which transport is undertaken. A goods item can be identified by up to three levels of packaging.

UN/EDIFACT		Implementation		
	Name	St Format	St Format	Use / Remarks
GID				
1496	Goods item number	C n..5	N	not used
C213	Number and type of packages	C	R	
7224	Number of packages	C n..8	N	not used
7065	Type of packages identification	C an..17	R an..17	Vehicle Identification Number
1131	Code list qualifier	C an..3	R an..3	<b>AKG</b> = <b>Vehicle Identification Number</b>
3055	Code list responsible agency, coded	C an..3	R an..3	<b>90</b> = <b>Assigned by manufacturer</b>

**Remark:**

**Example:**

GID++:1A1BB0123456789:AKG:90'

# A4D BOOKING CONFIRMATION

## Segment details

**Group:** **SG9**    Status: R    Max. Occ.: 999    GID-HAN-SG10

**Segment:** **HAN**    Seq. No.: 8    Level: 2    **Handling instructions**  
 Status: D    Max. Occ.: 1  
 Counter: 0400

**Name:**            **Handling instructions**

**Description of segment:**

A segment to specify handling instructions relating to the goods item.

UN/EDIFACT		Implementation		
	Name	St Format	St Format	Use / Remarks
HAN				
C524	Handling instructions	C	R	
4079	Handling instructions, coded	C an..3	R an..3	All previous booked vehicles, without changes, shall use the code "8" <b>8</b> = <b>Add a vehicle</b> <b>9</b> = <b>Delete a vehicle</b> <b>10</b> = <b>Annulation (Negative booking)</b>
1131	Code list qualifier	C an..3	R an..3	<b>63</b> = <b>Handling action</b>
3055	Code list responsible agency, coded	C an..3	R an..3	<b>RA1</b> = <b>Assigned by freight forwarder</b>

**Remark:**

Used if code 4 (change) is assigned in BGM 1004.

**Example:**

HAN+10:63:RA1'



# A4D BOOKING CONFIRMATION

## Segment details

**Group:** **SG9**    Status: R    Max. Occ.: 999    GID-HAN-SG10

**Group:** **SG10**    Status: D    Max. Occ.: 9    NAD-DTM

**Segment:** **DTM**    Seq. No.: 10    Level: 3    **Date/time/period**  
 Status: R    Max. Occ.: 1  
 Counter: 0490

**Name:**            **Date/time/period**

**Description of segment:**

A segment to indicate date and time relating to the place of collection or delivery.

UN/EDIFACT			Implementation		
	Name	St Format	St Format	Use / Remarks	
DTM					
C507	Date/time/period	M	M		
2005	Date/time/period qualifier	M an..3	M an..3	<b>132</b>	<b>= Arrival date/time, estimated</b>
2380	Date/time/period	C an..35	R an..35		
2379	Date/time/period format qualifier	C an..3	R an..3	<b>203</b>	<b>= CCYMMDDHHMM</b>

**Remark:**

**Example:**

DTM+132:201211121033:203'

# A4D BOOKING CONFIRMATION

## Segment details

Segment:

**UNT**

Seq. No.: 11 Level: 0  
Status: M Max. Occ.: 1  
Counter: 0860

Message trailer

Name: Message trailer

### Description of segment:

A service segment ending a message, giving the total number of segments in the message and the control reference number of the message.

UN/EDIFACT		Implementation		
	Name	St Format	St Format	Use / Remarks
UNT				
0074	Number of segments in the message	M n..6	M n..6	
0062	Message reference number	M an..14	M an..14	

Remark:

### Example:

UNT+9+01234 '