

Detailed Guidelines of Delivery Schedule DELINS/DELFOR within Volvo

1. General

This document describes Volvo's application of the Odette subset of the EDIFACT message DELINS/DELFOR.

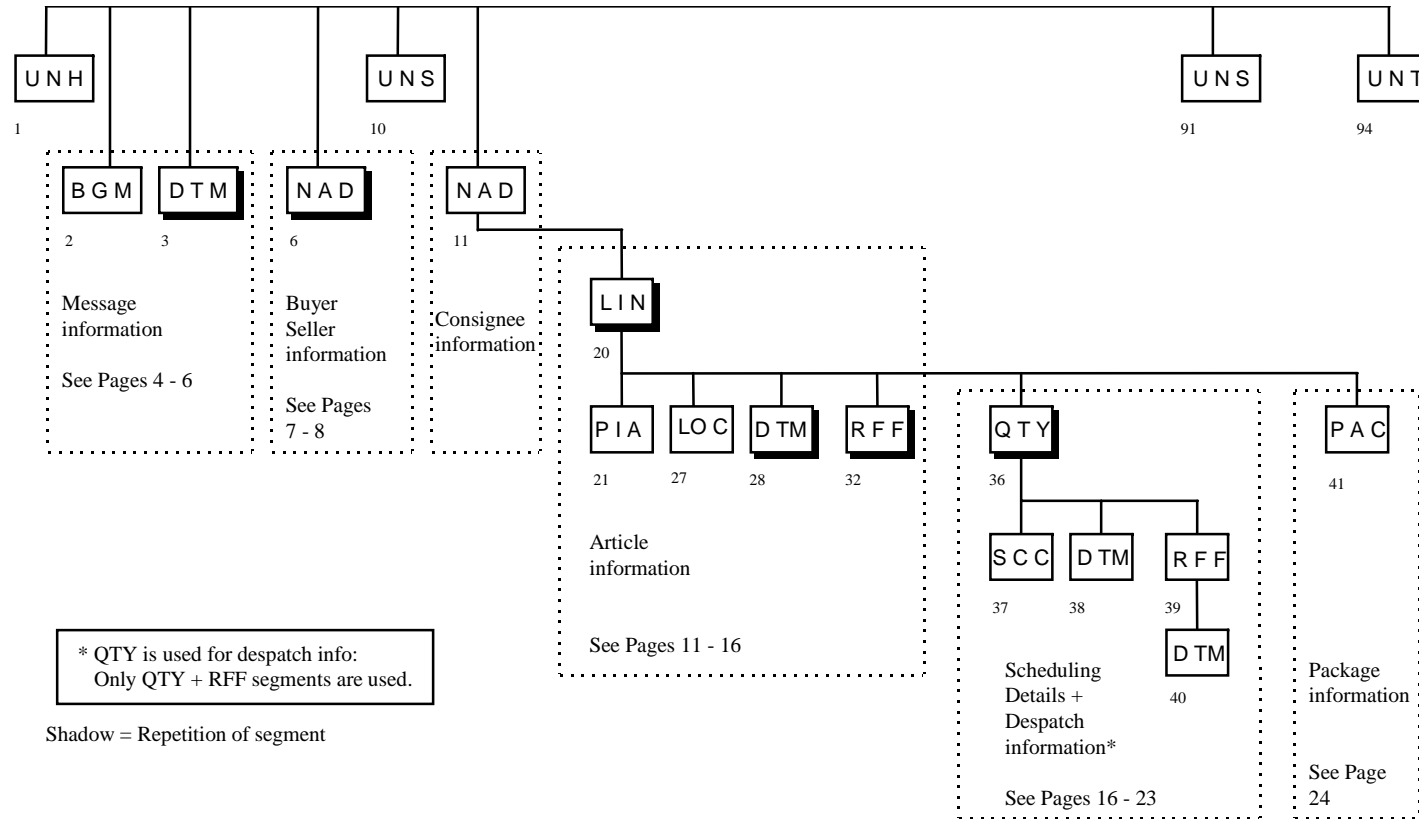
The specification offers a detailed description of those data elements which will be used.

The basis of this application is the Odette subset of the Edifact message entitled DELINS/DELFOR V4R0, issued by the secretariat in September 1996.

The frequency and the scope of the delivery schedules are specific for each company within Volvo.

2 File Structure

See next page



3 Detailed Segment Description

Header Section - Message Information

1-UNH	MESSAGE HEADER	M 1
	To uniquely identify the Odette subset and the Edifact message.	
0062	MESSAGE REFERENCE NUMBER	M an..14
	Sender's reference number	
S009	MESSAGE IDENTIFIER	M
0065	Message type <i>Value:</i> DELFOR	M an..6
0052	Message version number <i>Value:</i> D	M an..3
0054	Message release number <i>Value:</i> 96A	M an..3
0051	Controlling agency <i>Value:</i> UN	M an..2
0057	Associated assigned code <i>Value:</i> A09040	R an..6
0068	COMMON ACCESS REFERENCE	N
S010	STATUS OF TRANSFER	N
	Example: UNH+1+DELFOR:D:96A:UN:A09040'	

2-BGM	BEGINNING OF MESSAGE	M 1
	The unique identification of the message.	
C002	DOCUMENT NAME	R
1001	Document name, coded <i>Value:</i> 241 = Delivery Schedule	R an..3
1131	Code list qualifier	N
3055	Code list responsible agency, coded	N
1000	Document name	N
1004	DOCUMENT NUMBER	R an..17 (an..35)
	Delivery Schedule number	
1225	MESSAGE FUNCTION, CODED	N
4343	RESPONSE TYPE, CODED	N

Example: BGM+241+199804171510'

3-DTM	DATE/TIME	M 4 (10)
	Document date.	
C507	DATE/TIME	M
2005	Date/Time qualifier <i>Value:</i> 137 = Document date	M an..3
2380	Date/Time The date on which the message was created.	R n8 (an..35)
2379	Date/Time format qualifier <i>Value:</i> 102 = CCYYMMDD	R an..3
	Example: DTM+137:19980417:102'	

3-DTM	DATE/TIME	R 4 (10)
	Effective from date.	
C507	DATE/TIME	M
2005	Date/Time qualifier <i>Value:</i> 157 = Validity start date	M an..3
2380	Date/Time The date from which the new delivery schedule is valid.	R n8 (an..35)
2379	Date/Time format qualifier <i>Value:</i> 102 = CCYYMMDD	R an..3
	Example: DTM+157:19980421:102'	

3-DTM	DATE/TIME	D 4 (10)
	Effective to date.	
	<i>Condition:</i> This segment will only be used after special agreement.	
C507	DATE/TIME	M
2005	Date/Time qualifier <i>value:</i> 36 = Expiry date	M an..3
2380	Date/Time The delivery schedule's end date, i.e. the date which indicates the delivery schedule's planning horizon.	R n8 (an..35)
2379	Date/Time format qualifier <i>value:</i> 102 = CCYYMMDD	R an..3

Example: DTM+36:19980514:102'

Buyer Information

6-NAD	NAME AND ADDRESS	R 2 (20)
	Supplier's identification of Volvo.	
3035	PARTY QUALIFIER	M an..3
	<i>Value:</i> BY = Buyer	
C082	PARTY IDENTIFICATION DETAILS	R
3039	Party Id. identification The Seller's identification on the Buyer.	R an..20 (an..35)
1131	Code list qualifier	N
3055	Code list responsible agency, coded <i>Value:</i> 91 = Assigned by Seller	R an..3
C058	NAME AND ADDRESS	N
C080	PARTY NAME	N
C059	STREET	N
3164	CITY NAME	N
3229	COUNTRY SUB-ENTITY IDENTIFICATION	N
3251	POSTCODE IDENTIFICATION	N
3207	COUNTRY, CODED	N
	Example: NAD+BY+80001::91'	

Seller Information

6-NAD	NAME AND ADDRESS	R
	Volvo's identification of the supplier.	
3035	PARTY QUALIFIER	M an..3
	<i>Value:</i> SE = Seller	
C082	PARTY IDENTIFICATION DETAILS	R
3039	Party Id. identification Supplier number allocated to the Seller. The number must be given without leading spaces or zeroes.	R an..10 (an..35)
1131	Code list qualifier	N
3055	Code list responsible agency, coded <i>Value:</i> 92 = Assigned by Buyer	R an..3
C058	NAME AND ADDRESS	N
C080	PARTY NAME	N
C059	STREET	N
3164	CITY NAME	N
3229	COUNTRY SUB-ENTITY IDENTIFICATION	N
3251	POSTCODE IDENTIFICATION	N
3207	COUNTRY, CODED	N
	Example: NAD+SE+2288::92'	

Details section**10-UNS SECTION CONTROL****M 1**

To separate Header and Detail sections of the message.

0081 SECTION IDENTIFICATION**M a1**

Value: D = Separate header from detail

Example: UNS+D'

Consignee Information

11-NAD	NAME AND ADDRESS)	R 1 (500)
3035	PARTY QUALIFIER <i>Value:</i> CN = Consignee	M an..3
C082	PARTY IDENTIFICATION DETAILS	R
3039	Party Id. identification Volvo's plant or warehouse number. See appendix 1.	R an..10 (an..35)
1131	Code list qualifier	N
3055	Code list responsible agency, coded <i>Value:</i> 92 = Assigned by Buyer	R an..3
C058	NAME AND ADDRESS	N
C080	PARTY NAME <i>Condition:</i> required when transport labels are used.	D
3036	Party name Consignee, clear text, shall be printed on the transport label.	R an..35
3045	Party name format, coded	N
C059	STREET	N
3164	CITY NAME	N
3229	COUNTRY SUB-ENTITY IDENTIFICATION	N
3251	POSTCODE IDENTIFICATION	N
3207	COUNTRY, CODED Example: NAD+CN+1001::92++TUVE'	N

Article Information

20-NAD.LIN	LINE ITEM	R 9999
1082	LINE ITEM NUMBER	N
1229	ACTION REQUEST/NOTIFICATION, CODED	R an..3
	<i>Value:</i> 3 = Change to completely replace the previous delivery instruction for the updated horizon period. 4 = Amendment to amend the previous delivery instructions for specific date and time indication.	
C212	ITEM NUMBER IDENTIFICATION	R
7140	Item number Volvo's article number <i>Note:</i> The supplier is responsible for converting Volvo's article number to the supplier's own internal article number.	R an..35
7143	Item number type, coded <i>value:</i> IN = Buyer's article number	R an..3
1131	Code list qualifier	N
3055	Code list responsible agency, coded	N
C829	SUB-LINE INFORMATION	N
1222	CONFIGURATION LEVEL	N
7083	CONFIGURATION, CODED	N
	Example: LIN++3+181278:IN'	

21-NAD.LIN.PIA ADDITIONAL PRODUCT IDENTIFICATION D 1 (10)

Additional information about the article.

Condition:

This data element will only be used after special agreement.

4347 PRODUCT IDENTIFICATION, FUNCTION QUALIFIER M an..3

Value: 1 = Additional identification

C212 ITEM NUMBER IDENTIFICATION M

7140 Item number R an..14 (an..35)
This is used to specify the technical status of drawing documentation.

7143 Item number type, coded R an..3
Value: DR = Drawing revision number

1131 Code list qualifier N

3055 Code list responsible agency, coded N

Example: PIA+1+P04:DR'

27-NAD.LIN.LOC	LOCATION IDENTIFICATION	R 2 (100)
3227	LOCATION QUALIFIER	M an..3
	<i>Value:</i> 11 = Place/Port of discharge	
C517	PLACE/LOCATION IDENTIFICATION	R
3225	Place/Location Identification, coded Volvo's identity on the place of discharge; delivery address (not stated on the transport label).	R an..8 (an..25)
1131	Code list qualifier	N
3055	Code list responsible agency, coded	N
3224	Location	N
C519	RELATED LOCATION ONE IDENTIFICATION	N
C553	RELATED LOCATION TWO IDENTIFICATION	N
5479	RELATION, CODED	N
	Example: LOC+11+020'	

27-NAD.LIN.LOC	LOCATION IDENTIFICATION	R
3227	LOCATION QUALIFIER	M an..3
	<i>Value:</i> 159 = Additional internal destination	
C517	PLACE/LOCATION IDENTIFICATION	R
3225	Place/Location of discharge Identification, coded Final unloading point (to be printed on the transport label in the field "Dock and Gate").	R an..17 (an..25)
1131	Code list qualifier	N
3055	Code list responsible agency, coded	N
3224	Location	N
C519	RELATED LOCATION ONE IDENTIFICATION	N
C553	RELATED LOCATION TWO IDENTIFICATION	N
5479	RELATION, CODED	N
	<i>Example:</i> LOC+159+F-11 020'	
28-NAD.LIN.DTM	DATE/TIME	R 2 (5)
	Calculation date.	
C507	DATE/TIME	M
2005	Date/Time qualifier <i>Value:</i> 257 = Calculation date	M an..3
2380	Date/Time Reconciliation date for delivery schedule.	R n8 (an..35)
2379	Date/Time format qualifier <i>Value:</i> 102 = CCYYMMDD	R an..3
	<i>Example:</i> DTM+257:19980416:102'	

28-NAD.LIN.DTM	DATE/TIME	R
	Accumulation start date.	
C507	DATE/TIME	M
2005	Date/Time qualifier <i>Value:</i> 51 = Cumulative quantity start date	M an..3
2380	Date/Time Deliveries accumulation start date.	R n8 (an..35)
2379	Date/Time format qualifier <i>Value:</i> 102 = CCYYMMDD	R an..3

Example: DTM+51:19980101:102'

32-NAD.LIN.RFF	REFERENCE	R 2 (10)
	Volvo's order number.	
C506	REFERENCE	M
1153	Reference qualifier <i>Value:</i> ON = Order number	M an..3
1154	Reference number The order number of the article.	R an..17 (an..35)
1156	Line number	N
4000	Reference version number	N
	Example: RFF+ON:371902288020'	

32-NAD.LIN.RFF	REFERENCE	D
	<i>Conditions:</i> This segment will not be given in the first delivery schedule.	
C506	REFERENCE	M
1153	Reference qualifier <i>Value:</i> AIF = Previous delivery instruction number	M an..3
1154	Reference number Previous delivery schedule number. Ref. BGM-segment.	R an..35
1156	Line number	N
4000	Reference version number Example: RFF+AIF:199804101415'	N
36-NAD.LIN.QTY	QUANTITY	R 200
	Cumulated quantity.	
C186	QUANTITY DETAILS	M
6063	Quantity qualifier <i>Value:</i> 70 = Cumulative quantity received	M an..3
6060	Quantity Cumulated deliveries from the date given in the DTM segment position 28, segment qualifier 51. <i>Condition:</i> If no deliveries are received, zero will be given.	M n..10 (n..15)
6411	Measure unit qualifier <i>Conditions:</i> Default value is PCE (piece). Example: QTY+70:6939'	D an..3

36-NAD.LIN.QTY	QUANTITY	D
	Balance quantity.	
	<i>Condition:</i> this segment will only be used according to the agreement with each Volvo plant.	
C186	QUANTITY DETAILS	M
6063	Quantity qualifier <i>Value:</i> 73 = Quantity balance	M an..3
6060	Quantity Outstanding orders. For contract orders, the quantity ordered.	M n..10 (n..15)
6411	Measure unit qualifier <i>Conditions:</i> Default value is PCE (piece). Example: QTY+73:6840'	D an..3

Despatch Information

The latest received deliveries are presented here. The segment can occur several times. The latest received despatch will be stated first.

36-NAD.LIN.QTY	QUANTITY	D
	<i>Conditions:</i> This segment will be omitted, if no despatch is received.	
C186	QUANTITY DETAILS	M
6063	Quantity qualifier <i>Value:</i> 12 = Despatch quantity quantity despatched by the seller	M an..3
6060	Quantity The quantity delivered according to AVIEXP/DESADV.	M n..10 (n..15)
6411	Measure unit qualifier <i>Conditions:</i> Default value is PCE (piece). Example: QTY+12:720'	D an..3

39-NAD.LIN.QTY.RFF	REFERENCE	D 1 (10)
	<i>Condition:</i> This segment will be omitted, if no despatch is received.	
C506	REFERENCE	M
1153	Reference qualifier <i>Value:</i> AAK = Despatch advice number	M an..3
1154	Reference number Despatch note number. Ref. AVIEXP/DESADV message, BGM segment.	R an..35
1156	Line number	N
4000	Reference version number Example: RFF+AAK:52575'	N

36-NAD.LIN.QTY	QUANTITY	D
	<i>Condition:</i> This segment will be omitted, if no despatch is received.	
C186	QUANTITY DETAILS	M
6063	Quantity qualifier <i>Value:</i> 48 = Received quantity	M an..3
6060	Quantity The quantity delivered according to AVIEXP/DESADV.	M n..10 (n..15)
6411	Measure unit qualifier <i>Conditions:</i> Default value is PCE (piece). Example: QTY+48:600'	D an..3

40-NAD.LIN.QTY.RFF.DTM DATE/TIME D 1

Condition:

This segment will be omitted, if no despatch is received.

C507	DATE/TIME	M
2005	Date/Time qualifier <i>Value:</i> 171 = Reference date	M an..3
2380	Date/Time Date of despatch	R n8 (an..35)
2379	Date/Time format qualifier <i>Value:</i> 102 = CCYYMMDD	R an..3

Example: DTM+171:19980617:102'

36-NAD.LIN.QTY QUANTITY D

Condition:

This segment will be omitted when no Backorder quantity exists.

C186	QUANTITY DETAILS	M
6063	Quantity qualifier <i>Value:</i> 83 = Backorder quantity	M an..3
6060	Quantity Backorder quantity	M n..10 (an..15)
6411	Measure unit qualifier <i>Conditions:</i> Default value is PCE (piece). Example: QTY+83:250'	D an..3

36-NAD.LIN.QTY	QUANTITY	R
C186	QUANTITY DETAILS	M
6063	Quantity qualifier <i>Value:</i> 113 = Quantity to be delivered	M an..3
6060	Quantity Quantity to be delivered	M n..10 (an..15)
	<i>Note:</i> On the first occasion an article entirely lacks a call-off, a delivery schedule with quantity = 0 is sent. After this, no delivery schedule will be sent until a new requirement occurs for this article.	
6411	Measure unit qualifier <i>Conditions:</i> Default value is PCE (piece). Example: QTY+113:340'	D an..3
37-NAD.LIN.QTY.SCC	SCHEDULING CONDITIONS	D 1
	<i>Condition:</i> Not to be used for Backorder quantities.	
4017	DELIVERY PLAN STATUS INDICATOR, CODED	R an..3
	<i>Value:</i> 1 = Firm 2 = Commitment for manufacturing and material 3 = Commitment for material 4= Planning/Forecast 24= Ref. to commercial agreement between partners	
4493	DELIVERY REQUIREMENTS, CODED	N
C329	PATTERN DESCRIPTION	N
	Example: SCC+1'	

38-NAD.LIN.QTY.DTM DATE/TIME**D 1 (2)**

Condition:
not to be used for Backorder quantities.

C507**DATE/TIME****M**

2005

Date/Time qualifier

M an..3

2 = Delivery date/time requested
63 = Delivery date/time, latest
date used as start date when a
period is used
64 = Delivery date/time, earliest
date used when a period is used

2380

Date/Time
Delivery date

R n..12 (an..35)

2379

Date/Time format qualifier

R an..3

Value: 102 = CCYYMMDD
203 = CCYYMMDDHHMM

Remark:

The qualifier 203 will only be used when there is more than one
call-off during one day.

Example: DTM+2:19980505:102'

39-NAD.LIN.QTY.RFF REFERENCE D*Condition:*

After special agreement with Volvo, a reference is made here to an order line or other customer-oriented reference concept.

C506 REFERENCE M

1153 Reference qualifier M an..3

Value: AAP = Part consignment number

1154 Reference number R an..35
Reference number

1156 Line number N

4000 Reference version number N

Example: RFF+AAP:1324567576'

Package Information

41-NAD.LIN.PAC PACKAGE **D 1 (50)**

Condition:

This segment will only be used for external packaging.

7224	NUMBER OF PACKAGES	N
C531	PACKAGING DETAILS	N
C202	PACKAGE TYPE	R
7065	Type of packages identification Volvo's reference number for the type of packaging which is to be used for delivery.	R an..17
1131	Code list qualifier	N
3055	Code list responsible agency, coded. <i>Value:</i> 92 = defined by the buyer	R an..3
7064	Type of packages	N
C402	PACKAGE TYPE IDENTIFICATION	N
C532	RETURNABLE PACKAGE DETAILS	N
	Example: PAC+++661856::92'	

10-UNS SECTION CONTROL **M 1**

To separate Header and Detail sections of the message.

0081 SECTION IDENTIFICATION **M a1**

Value: S = Separate summary from detail

Example: UNS+S'

4 Example

A delivery schedule for supplier 2288 for delivery of article 181278 and 181279 to Volvo truck Corp, Tuve Plant and Warehouse 1.

Example in Version 4

*** Initial service segment according to ISO/EDIFACT ***

BGM+241+199804171510'		Delivery schedule number
DTM+137:19980417:102'		Delivery schedule date
DTM+157:19980421:102'		Effective from
NAD+BY+80001::91'		Buyer
NAD+SE+2288::92'		Seller
UNS+S'		Section separator
NAD+CN+1001::92++TUVE'		Consignee
LIN++3+181278:IN'		Volvos Article number
PIA+1+P04:DR'		Drawing information
LOC+11+020'		Place of discharge
LOC+159+F-11 020'		Final delivery point
DTM+257:19980417:102'		Calculation date
DTM+51:19980101:102'		Accumulation start date
RFF+ON:371902288020'		Volvos Order Number
RFF+AIF:199804101415'		Previous delivery schedule number
QTY+70:6939'		Cumulative quantity received from date given in DTM+51
QTY+73:6840'		Quantity balance
QTY+12:720'	(1)	Delivered quantity (according to Aviexp)
QTY+47:700'		Received quantity
RFF+AAK:52575'		Despatch note number
DTM+171:19980415:102'		Date of despatch
QTY+12:340'	(2)	Delivered quantity (according to Aviexp)
QTY+47:340'		Received quantity
RFF+AAK:52430'		Despatch note number
DTM+171:19980409:102'		Date of despatch
QTY+12:720'	(3)	Delivered quantity (according to Aviexp)
QTY+48:720'		Received quantity
RFF+AAK:52120'		Despatch note number
DTM+171:19980401:102'		Date of despatch
QTY+83:340'		Quantity in Backorder
QTY+113:720'	(1)	Quantity to be delivered
SCC+1'		Status of the delivery schedule
DTM+2:19980425:102'		Date of delivery
QTY+113:720'	(2)	Quantity to be delivered
SCC+1'		Status of the delivery schedule
DTM+2:19980502:102'		Date of delivery
-		
-		
-		
-		
LIN++3+181279:IN'		
PIA+1+P09:DR'		
LOC+11+020'		
LOC+159+F-11 020'		
DTM+257:19980417:102'		
DTM+51:19980101:102'		
RFF+ON:371902288020'		
RFF+AIF:199804031325'		
QTY+70:5340'		
QTY+73:5330'		

QTY+12:200'
QTY+48:200'
RFF+AAK:52565'
DTM+171:19980405:102'
QTY+12:100'
QTY+48:100'
RFF+AAK:52420'
DTM+171:19980401:102'
QTY+12:400'
QTY+48:300'
RFF+AAK:52130'
DTM+171:19980326:102'
QTY+83:200'
QTY+113:300'
SCC+1'
DTM+2:19980425:102'
QTY+113:400'
SCC+1'
DTM+2:19980429:102'

-
-
-

*** Ending service segment according to ISO/EDIFACT ***

(*) number of repetitions of the segment-blocks

Example in Version 3

*** Initial service segment according to ISO/EDIFACT ***

MID+9804171510+970417'		Delivery schedule number and date
SDT+:::2288'		Supplier
BDT+:::80001'		Customer
ARI+1+980421'		Release type and date
CSG+:TUVE::::1001+020+F-11 020'		Consignee
ARD+181278++370902288020++++P04'		Volvo's article, order number and drawing info
PDI+9804101415'		Previous delivery schedule number
SAD+1'		Status of the delivery schedule
DST+980417+:6939+6840'		Reconciliation date, cum. quantity and quantity balance
PDN+52575:980415+720'	(1)	Despatch note number and date + delivered quantity
PDN+52430:980409+340'	(2)	Despatch note number and date + delivered quantity
PDN+52120:980401+720'	(3)	Despatch note number and date + delivered quantity
DEL+980417+340::3:1'		Backorder date and backorder quantity
DEL+980425+720:::1'	(1)	Date and quantity of delivery + type of delivery
DEL+980502+720:::1'	(2)	Date and quantity of delivery + type of delivery
-		
-		
-		
ARD+181279++371902288020'		
PDI+9804031325'		
SAD+1'		
DST+980417+:5340+5330'		
PDN+52565:980405+200'		
PDN+52420:980401+100'		
PDN+52130:980326+400'		
DEL+980425+300:::1'		
DEL+980429+400:::1'		
-		
-		
-		

*** Ending service segment according to ISO/EDIFACT ***

(*) number of repetitions of the segment-blocks