



Message Specification

VOLVO DELJIT D04B (Sequence & Direct1)

Based on:

DELJIT

Delivery just in time message

JAI EDIFACT D.04B; 2006

Version: 1
Variant: 2
Issue date: 2015-07-01
Author: Volvo Information Technology AB

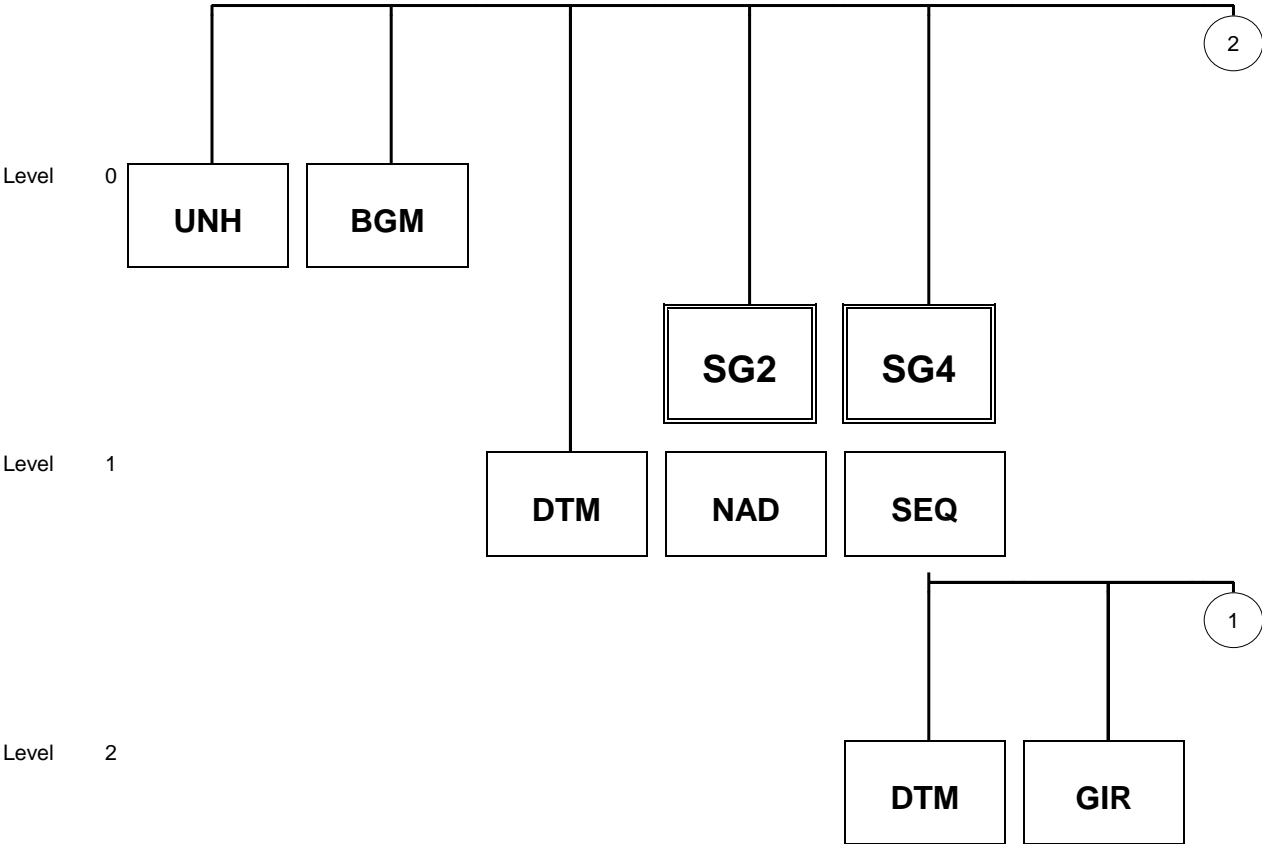
Message Structure

Counter	No	Tag	St	MaxOcc	Level	Content
0010	1	UNH	M	1	0	Message header
0020	2	BGM	M	1	0	Beginning of message
0030	3	DTM	M	1	1	Message Date Time
0080		SG2	R	1	1	Buyer
0090	4	NAD	M	1	1	Buyer's Name and Address
0080		SG2	R	1	1	Ship-from
0090	5	NAD	M	1	1	Ship From's Name and address
0080		SG2	R	1	1	Ship-to
0090	6	NAD	M	1	1	Ship To's name and address
0150		SG4	M	9999	1	Delivery Instruction Line (Sequenced)
0160	7	SEQ	M	1	1	Sequence details
0170	8	DTM	R	1	2	Sequence date/time
0180	9	GIR	R	1	2	Related identification numbers
0180	10	GIR	D	4	2	Related identification numbers
0250		SG7	R	9999	2	Product Item Line
0260	11	LIN	M	1	2	Line item
0270	12	PIA	D	1	3	Additional product id
0280	13	IMD	D	1	3	Item description
0300	14	GIR	D	4	3	Related identification numbers
0340		SG8	O	1	3	Delivery Forecast and other References
0350	15	RFF	M	1	3	Reference
0340		SG8	O	1	3	Delivery Forecast and other References
0350	16	RFF	M	1	3	Reference
0340		SG8	O	1	3	Delivery Forecast and other References
0350	17	RFF	M	1	3	Reference
0400		SG10	R	1	3	Place of discharge
0410	18	LOC	M	1	3	Place of discharge
0400		SG10	R	1	3	Place of departure/Place of destination/Other internal locations
0410	19	LOC	M	1	3	Internal place of destination
0450		SG12	R	1	3	Delivery quantity
0460	20	QTY	M	1	3	Quantity
0480	21	DTM	D	1	4	Sequence date/time
0560	22	UNT	M	1	0	Message trailer

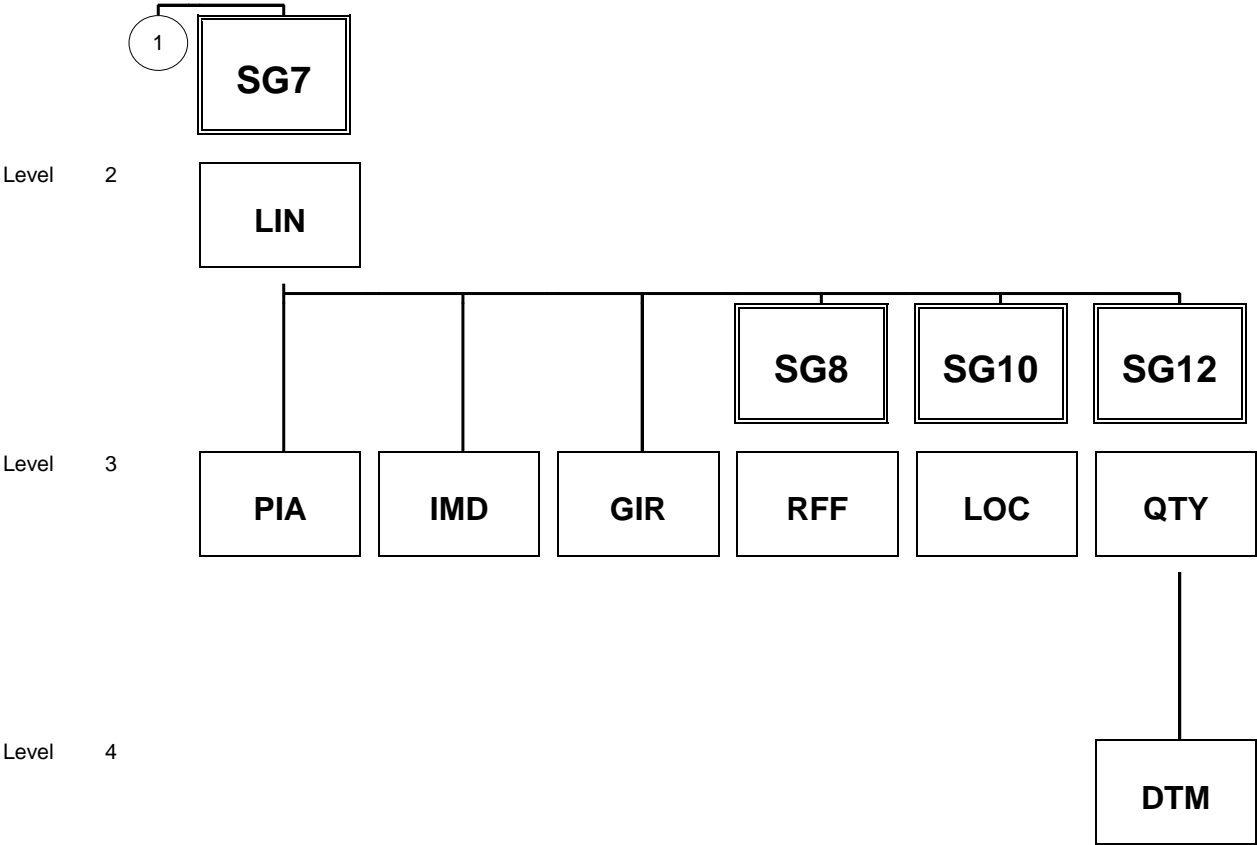
Counter = Counter of segment/group within the standard
 No = Consecutive segment number
 MaxOcc = Maximum occurrence of the segment/group

St = Status
 EDIFACT: M=Mandatory, C=Conditional
 User specific: R=Required, O=Optional, D=Dependent,
 A=Advised, N=Not used

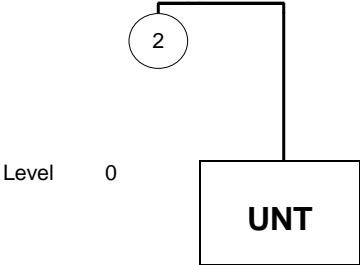
Branching Diagram of Used Segments/Groups



VOLVO DELJIT D04B (Sequence & Direct1)



VOLVO DELJIT D04B (Sequence & Direct1)



VOLVO DELJIT D04B (Sequence & Direct1)



Segment:

UNH

Seq. No.: 1 Level: 0
 Status: M Max. Occ.: 1
 Counter: 0010

Message header

Name: Message header

UN/EDIFACT			Implementation	
	Name	St Format	St Format	Use / Remarks
UNH				
0062	Message reference number	M an..14	M an..14	
S009	Message identifier	M	M	
0065	Message type	M an..6	M an..6	DELJIT Delivery just in time message
0052	Message version number	M an..3	M an..3	D Draft version/UN/EDIFACT Directory
0054	Message release number	M an..3	M an..3	04B Release 2004 - B
0051	Controlling agency	M an..2	M an..2	UN UN/CEFACT
0057	Association assigned code	C an..6	R an..6	GMI061 Joint Automotive Industry DELJIT V1 To identify a specific business partner profile of message implementation.

Remark:

Example:

UNH+51020053+DELJIT:D:04B:UN:GMI061'

VOLVO DELJIT D04B (Sequence & Direct1)



Segment:

BGM
 Seq. No.: 2 Level: 0
 Status: M Max. Occ.: 1
 Counter: 0020

Beginning of message

Name: Beginning of message

UN/EDIFACT			Implementation	
	Name	St Format	St Format	Use / Remarks
BGM				
C002	Document/message name	C	R	
1001	Document name code	C an..3	R an..3	307 Sequenced delivery schedule
1131	Code list identification code	C an..17	N	not used
3055	Code list responsible agency code	C an..3	R an..3	6 UNECE (United Nations - Economic Commission for Europe) Agency responsible for issue / maintenance of the code list or identifier system.
1000	Document name	C an..35	R an2	S1 = SEQUENCE D1 = DIRECT1
C106	Document/message identification	C	R	
1004	Document identifier	C an..35	R an..17	A unique reference number.

Remark:

Example:

 BGM+307:::6:S1+201208301430'
 BGM+307:::6:D1+201208301030'

VOLVO DELJIT D04B (Sequence & Direct1)



Segment:

DTM

Seq. No.: 3 Level: 1
 Status: M Max. Occ.: 1
 Counter: 0030

Date/time/period

Name: **Message Date Time**

UN/EDIFACT			Implementation	
	Name	St Format	St Format	Use / Remarks
DTM				
C507	Date/time/period	M	M	
2005	Date or time or period function code qualifier	M an..3	M an..3	137 Document issue date time
2380	Date or time or period text	C an..35	R n12	Issue date of the business document, assigned by the sender
2379	Date or time or period format code	C an..3	R an..3	203 CCYYMMDDHHMM

Remark:

Example:

DTM+137:201208300723:203'

VOLVO DELJIT D04B (Sequence & Direct1)



Group: **SG2** Status: R Max. Occ.: 1 Buyer

Segment: **NAD** Seq. No.: 4 Level: 1 **Name and address**
 Status: M Max. Occ.: 1
 Counter: 0090

Name: **Buyer's Name and Address**

UN/EDIFACT			Implementation	
	Name	St Format	St Format	Use / Remarks
NAD				
3035	Party function code qualifier	M an..3	M an..3	BY Buyer
C082	Party identification details	C	R	
3039	Party identifier	M an..35	M an..35	Unique identification of a party by an ID.
1131	Code list identification code	C an..17	N	not used
3055	Code list responsible agency code	C an..3	R an..3	92 Assigned by buyer or buyer's agent Code specifying the agency responsible for a code list.

Remark:

Volvo's identification of the buying company.

Example:

NAD+BY+1020:::92'

Group: **SG2** Status: R Max. Occ.: 1 Ship-from

Segment: **NAD** Seq. No.: 5 Level: 1 **Name and address**
 Status: M Max. Occ.: 1
 Counter: 0090

Name: **Ship From's Name and address**

UN/EDIFACT			Implementation	
	Name	St Format	St Format	Use / Remarks
NAD				
3035	Party function code qualifier	M an..3	M an..3	SF Ship from
C082	Party identification details	C	R	
3039	Party identifier	M an..35	R an..35	Unique identification of a party by an ID. The number allocated to the Ship From, sending the goods.
1131	Code list identification code	C an..17	N	not used
3055	Code list responsible agency code	C an..3	R an..3	92 Assigned by buyer or buyer's agent Code specifying the agency responsible for a code list.

Remark:

Volvo's identity on the supplier (Ship from)

Example:

NAD+SF+6315:::92'

Group: **SG2** Status: R Max. Occ.: 1 Ship-to

Segment: **NAD** Seq. No.: 6 Level: 1 **Name and address**
 Status: M Max. Occ.: 1
 Counter: 0090

Name: Ship To's name and address

UN/EDIFACT			Implementation	
	Name	St Format	St Format	Use / Remarks
NAD				
3035	Party function code qualifier	M an..3	M an..3	ST Ship to
C082	Party identification details	C	R	
3039	Party identifier	M an..35	M an..35	Unique identification of a party by an ID.
1131	Code list identification code	C an..17	N	not used
3055	Code list responsible agency code	C an..3	R an..3	92 Assigned by buyer or buyer's agent Code specifying the agency responsible for a code list.
C058	Name and address	C	N	not used
3124	Name and address description	M an..35	N	not used
C080	Party name	C	C	
3036	Party name	M an..35	M an..35	Single text line for specification of a name. Shall be printed on the Transport label.

Remark:

The party to which goods are to be shipped (consigned).
 Volvo's plant identity.

Example:

NAD+ST+1001::92++PLANT NAME'

Group: **SG4** Status: M Max. Occ.: 9999 Delivery Instruction Line (Sequenced)

Segment: **SEQ** Seq. No.: 7 Level: 1 **Sequence details**
 Status: M Max. Occ.: 1
 Counter: 0160

Name: **Sequence details**

UN/EDIFACT			Implementation	
	Name	St Format	St Format	Use / Remarks
SEQ 1229	Action request/notification description code	C an..3	R an..3	2 Deleted 38 Replaced 39 New 40 Agreed
C286	Sequence information	C	R	The sequence will be identified either via a Manufacturer production sequence number or via date/time information.
1050	Sequence position identifier	M an..10	M an..10	Production sequence number

Remark:

For explanations of codes in SEQ.1229, refer to the Implementation Guideline document.

Example:

SEQ+39+236 '

SEQ+40+237 '

VOLVO DELJIT D04B (Sequence & Direct1)



Group: **SG4** Status: M Max. Occ.: 9999 Delivery Instruction Line (Sequenced)

Segment: **DTM** Seq. No.: 8 Level: 2 **Date/time/period**
 Status: R Max. Occ.: 1
 Counter: 0170

Name: **Sequence date/time**

UN/EDIFACT			Implementation	
	Name	St Format	St Format	Use / Remarks
DTM				
C507	Date/time/period	M	M	
2005	Date or time or period function code qualifier	M an..3	M an..3	194 Start date/time
2380	Date or time or period text	C an..35	R n..12	Fixed date of a production sequence.
2379	Date or time or period format code	C an..3	R an..3	102 CCYYMMDD 203 CCYYMMDDHHMM

Remark:

Example:

DTM+194:201208300830:203'

Group: **SG4** Status: M Max. Occ.: 9999 Delivery Instruction Line (Sequenced)

Segment: **GIR** Seq. No.: 9 Level: 2 **Related identification numbers**
 Status: R Max. Occ.: 1
 Counter: 0180

Name: **Related identification numbers**

UN/EDIFACT			Implementation	
	Name	St Format	St Format	Use / Remarks
GIR				
7297	Set type code qualifier	M an..3	M an..3	4 Vehicle reference set
C206	Identification number	M	M	
7402	Object identifier	M an..35	M an..35	Vehicle identification number.
7405	Object identification code qualifier	C an..3	R an..3	VV Vehicle identity number
4405	Status description code	C an..3	N	not used
C206	Identification number	C	D	
7402	Object identifier	M an..35	R an..35	Manufacturing reference number
7405	Object identification code qualifier	C an..3	R an..3	AN Manufacturing reference number

Remark:

Depending on the process, the VIN or manufacturing reference number may be a trigger for product item information (VIN is an attribute of the sequence). In that case; the GIR is used to transmit the relevant identifier.

Example:

GIR+4+1258:VV'

GIR+4+1258:VV+11-121-221:AN'

Group: **SG4** Status: M Max. Occ.: 9999 Delivery Instruction Line (Sequenced)

Segment: **GIR** Seq. No.: 10 Level: 2 **Related identification numbers**
 Status: D Max. Occ.: 4
 Counter: 0180

Name: **Related identification numbers**

UN/EDIFACT			Implementation	
	Name	St Format	St Format	Use / Remarks
GIR				
7297	Set type code qualifier	M an..3	M an..3	1 Product
C206	Identification number	M	M	
7402	Object identifier	M an..35	M an..35	Identity number/Variant code
7405	Object identification code qualifier	C an..3	R an..3	Identity number qualifier AB 1st structure element name AC 2nd structure element name AD 3rd structure element name AE 4th structure element name AF 5th structure element name AG 6th structure element name AH 7th structure element name AI 8th structure element name AJ 9th structure element name The first element in a series of elements that together define the structure of an object.
C206	Identification number	C	O	
7402	Object identifier	M an..35	M an..35	See 7402#1
7405	Object identification code qualifier	C an..3	R an..3	Use code according to description in C206.7405#1.
C206	Identification number	C	O	
7402	Object identifier	M an..35	M an..35	See 7402#1
7405	Object identification code qualifier	C an..3	R an..3	Use code according to description in C206.7405#1.
C206	Identification number	C	O	
7402	Object identifier	M an..35	M an..35	See 7402#1
7405	Object identification code qualifier	C an..3	R an..3	Use code according to description in C206.7405#1.
C206	Identification number	C	O	
7402	Object identifier	M an..35	M an..35	See 7402#1
7405	Object identification code qualifier	C an..3	R an..3	Use code according to description in C206.7405#1.

Remark:

Mandatory when requirements are based on variant codes and SG7.GIR is not used for variant codes.

Example:

GIR+1+A:AB+B:AC+C:AD+D:AE+E:AF'

VOLVO DELJIT D04B (Sequence & Direct1)



Group: **SG4** Status: M Max. Occ.: 9999 Delivery Instruction Line (Sequenced)

Group: **SG7** Status: R Max. Occ.: 9999 Product Item Line

Segment: **LIN** Seq. No.: 11 Level: 2 **Line item**
 Status: M Max. Occ.: 1
 Counter: 0260

Name: Line item

UN/EDIFACT			Implementation	
	Name	St Format	St Format	Use / Remarks
LIN				
1082	Line item identifier	C an..6	N	not used
1229	Action request/notification description code	C an..3	N	not used
C212	Item number identification	C	R	
7140	Item identifier	C an..35	R an..35	Volvo's item/article number
7143	Item type identification code	C an..3	R an..3	IN Buyer's item number

Remark:

Mandatory when article number is required.
 Used to identify a line item.

Example:

LIN+++9417416:IN'

VOLVO DELJIT D04B (Sequence & Direct1)



Group: **SG4** Status: M Max. Occ.: 9999 Delivery Instruction Line (Sequenced)

Group: **SG7** Status: R Max. Occ.: 9999 Product Item Line

Segment: **PIA** Seq. No.: 12 Level: 3 **Additional product id**
 Status: D Max. Occ.: 1
 Counter: 0270

Name: **Additional product id**

UN/EDIFACT			Implementation	
	Name	St Format	St Format	Use / Remarks
PIA				
4347	Product identifier code qualifier	M an..3	R an..3	1 Additional identification
C212	Item number identification	M	M	
7140	Item identifier	C an..35	R an..35	The number of a technical drawing allocated to an item.
7143	Item type identification code	C an..3	R an..3	DR Drawing revision number

Remark:

Condition: This segment will only be used after special agreement.

Example:

PIA+1+P01:DR'

VOLVO DELJIT D04B (Sequence & Direct1)



Group: **SG4** Status: M Max. Occ.: 9999 Delivery Instruction Line (Sequenced)

Group: **SG7** Status: R Max. Occ.: 9999 Product Item Line

Segment: **IMD** Seq. No.: 13 Level: 3 **Item description**
 Status: D Max. Occ.: 1
 Counter: 0280

Name: **Item description**

UN/EDIFACT			Implementation	
	Name	St Format	St Format	Use / Remarks
IMD				
7077	Description format code	C an..3	N	not used
C272	Item characteristic	C	N	not used
7081	Item characteristic code	C an..3	N	not used
C273	Item description	C	R	
7009	Item description code	C an..17	N	not used
1131	Code list identification code	C an..17	N	not used
3055	Code list responsible agency code	C an..3	N	not used
7008	Item description	C an..256	R an..35	Volvo's article description

Remark:

Required if further clarification of the item is needed.

Example:

IMD++++:::BOLT'

VOLVO DELJIT D04B (Sequence & Direct1)



Group: **SG4** Status: M Max. Occ.: 9999 Delivery Instruction Line (Sequenced)

Group: **SG7** Status: R Max. Occ.: 9999 Product Item Line

Segment: **GIR** Seq. No.: 14 Level: 3 **Related identification numbers**
 Status: D Max. Occ.: 4
 Counter: 0300

Name: **Related identification numbers**

UN/EDIFACT			Implementation	
	Name	St Format	St Format	Use / Remarks
GIR				
7297	Set type code qualifier	M an..3	M an..3	1 Product
C206	Identification number	M	M	
7402	Object identifier	M an..35	M an..35	Identity number/Variant code
7405	Object identification code qualifier	C an..3	R an..3	Identity number qualifier AB 1st structure element name AC 2nd structure element name AD 3rd structure element name AE 4th structure element name AF 5th structure element name AG 6th structure element name AH 7th structure element name AI 8th structure element name AJ 9th structure element name The first element in a series of elements that together define the structure of an object.
C206	Identification number	C	O	
7402	Object identifier	M an..35	M an..35	See 7402#1
7405	Object identification code qualifier	C an..3	R an..3	Use code according to description in C206.7405#1.
C206	Identification number	C	O	
7402	Object identifier	M an..35	M an..35	See 7402#1
7405	Object identification code qualifier	C an..3	R an..3	Use code according to description in C206.7405#1.
C206	Identification number	C	O	
7402	Object identifier	M an..35	M an..35	See 7402#1
7405	Object identification code qualifier	C an..3	R an..3	Use code according to description in C206.7405#1.
C206	Identification number	C	O	
7402	Object identifier	M an..35	M an..35	See 7402#1
7405	Object identification code qualifier	C an..3	R an..3	Use code according to description in C206.7405#1.

Remark:

Mandatory when requirements are based on variant codes and SG4.GIR is not used for variant codes.

Example:

GIR+1+A:AB+B:AC+C:AD+D:AE+E:AF'

VOLVO DELJIT D04B (Sequence & Direct1)



Group: **SG4** Status: M Max. Occ.: 9999 Delivery Instruction Line (Sequenced)
Group: **SG7** Status: R Max. Occ.: 9999 Product Item Line
Group: **SG8** Status: O Max. Occ.: 1 Delivery Forecast and other References
Segment: **RFF** Seq. No.: 15 Level: 3 **Reference**
 Status: M Max. Occ.: 1
 Counter: 0350

Name: Reference

UN/EDIFACT		Implementation		
	Name	St Format	St Format	Use / Remarks
RFF				
C506	Reference	M	M	
1153	Reference code qualifier	M an..3	M an..3	ON Order document identifier, buyer assigned
1154	Reference identifier	C an..70	R an..17	Volvo's Purchase order number.

Remark:

Condition: This segment will only be used after special agreement.

Example:

RFF+ON+591079556 '

VOLVO DELJIT D04B (Sequence & Direct1)



Group: **SG4** Status: M Max. Occ.: 9999 Delivery Instruction Line (Sequenced)
Group: **SG7** Status: R Max. Occ.: 9999 Product Item Line
Group: **SG8** Status: O Max. Occ.: 1 Delivery Forecast and other References
Segment: **RFF** Seq. No.: 16 Level: 3 **Reference**
 Status: M Max. Occ.: 1
 Counter: 0350

Name: Reference

UN/EDIFACT			Implementation	
	Name	St Format	St Format	Use / Remarks
RFF				
C506	Reference	M	M	
1153	Reference code qualifier	M an..3	M an..3	CR Customer reference number
1154	Reference identifier	C an..70	R an..17	Volvo's Module reference number.

Remark:

Condition: This segment will only be used after special agreement.

Example:

RFF+CR:9417416'

VOLVO DELJIT D04B (Sequence & Direct1)



Group: **SG4** Status: M Max. Occ.: 9999 Delivery Instruction Line (Sequenced)
Group: **SG7** Status: R Max. Occ.: 9999 Product Item Line
Group: **SG8** Status: O Max. Occ.: 1 Delivery Forecast and other References
Segment: **RFF** Seq. No.: 17 Level: 3 **Reference**
 Status: M Max. Occ.: 1
 Counter: 0350

Name: Reference

UN/EDIFACT		Implementation		
	Name	St Format	St Format	Use / Remarks
RFF				
C506	Reference	M	M	
1153	Reference code qualifier	M an..3	M an..3	AAP Partial shipment identifier
1154	Reference identifier	C an..70	R an..17	Part consignment number.

Remark:

Condition: This segment will only be used after special agreement.

Example:

RFF+AAP:9417416'

Group: **SG4** Status: M Max. Occ.: 9999 Delivery Instruction Line (Sequenced)
Group: **SG7** Status: R Max. Occ.: 9999 Product Item Line
Group: **SG10** Status: R Max. Occ.: 1 Place of discharge
Segment: **LOC** Seq. No.: 18 Level: 3 **Place/location identification**
 Status: M Max. Occ.: 1
 Counter: 0410

Name: Place of discharge

UN/EDIFACT			Implementation	
	Name	St Format	St Format	Use / Remarks
LOC				
3227	Location function code qualifier	M an..3	M an..3	11 Place of discharge
C517	Location identification	C	R	
3225	Location name code	C an..35	R an..35	Volvo's identity on Place of Discharge.
1131	Code list identification code	C an..17	C an..17	
3055	Code list responsible agency code	C an..3	R an..3	92 Assigned by buyer or buyer's agent Code specifying the agency responsible for a code list.

Remark:

Volvo's identity on place of discharge. Shall not be stated on OTL 1.4 but mandatory on OTL 3.1 (Odette transport label).

Example:

LOC+11+020:::92'

Group:	SG4	Status: M	Max. Occ.: 9999	Delivery Instruction Line (Sequenced)
Group:	SG7	Status: R	Max. Occ.: 9999	Product Item Line
Group:	SG10	Status: R	Max. Occ.: 1	Place of departure/Place of destination/Other internal locations
Segment:	LOC	Seq. No.: 19 Status: M Counter: 0410	Level: 3 Max. Occ.: 1	Place/location identification

Name: Internal place of destination

UN/EDIFACT		Implementation		
	Name	St Format	St Format	Use / Remarks
LOC				
3227	Location function code qualifier	M an..3	M an..3	159 Additional internal destination
C517	Location identification	C	R	
3225	Location name code	C an..35	R an..35	Additional Internal Destination.
1131	Code list identification code	C an..17	N	not used
3055	Code list responsible agency code	C an..3	R an..3	92 Assigned by buyer or buyer's agent Code specifying the agency responsible for a code list.

Remark:

An internal location within the ship-to's premises, where goods are moved to after they have been unloaded, e.g. an assembly line, an internal warehouse, etc.

To be printed on the transport label in the field "Dock and Gate".

Example:

LOC+159+LB21 11400 020::92'

VOLVO DELJIT D04B (Sequence & Direct1)



Group: **SG4** Status: M Max. Occ.: 9999 Delivery Instruction Line (Sequenced)

Group: **SG7** Status: R Max. Occ.: 9999 Product Item Line

Group: **SG12** Status: R Max. Occ.: 1 Delivery quantity

Segment: **QTY** Seq. No.: 20 Level: 3 **Quantity**
 Status: M Max. Occ.: 1
 Counter: 0460

Name: Quantity

UN/EDIFACT			Implementation	
	Name	St Format	St Format	Use / Remarks
QTY				
C186	Quantity details	M	M	
6063	Quantity type code qualifier	M an..3	M an..3	113 Quantity to be delivered
6060	Quantity	M an..35	M n..10	Quantity in unit of measure.
6411	Measurement unit code	C an..8	O an..3	Code specifying the unit of measurement. Should match the Measurement unit code given in the Order. Recommend use UN/ECE Recommendation 20, Common code and code list ODDC025.

Remark:

Example:

QTY+113:500'

VOLVO DELJIT D04B (Sequence & Direct1)



Group: **SG4** Status: M Max. Occ.: 9999 Delivery Instruction Line (Sequenced)

Group: **SG7** Status: R Max. Occ.: 9999 Product Item Line

Group: **SG12** Status: R Max. Occ.: 1 Delivery quantity

Segment: **DTM** Seq. No.: 21 Level: 4 **Date/time/period**
 Status: D Max. Occ.: 1
 Counter: 0480

Name: Sequence date/time

UN/EDIFACT			Implementation	
	Name	St Format	St Format	Use / Remarks
DTM				
C507	Date/time/period	M	M	
2005	Date or time or period function code qualifier	M an..3	M an..3	2 Delivery date/time, requested
2380	Date or time or period text	C an..35	R n..12	Delivery Date/Time.
2379	Date or time or period format code	C an..3	R an..3	102 CCYYMMDD 203 CCYYMMDDHHMM

Remark:

Condition: This segment will only be used after special agreement.

Example:

DTM+2:201208300830:203'

VOLVO DELJIT D04B (Sequence & Direct1)



Segment:

UNT

Seq. No.: 22 Level: 0
 Status: M Max. Occ.: 1
 Counter: 0560

Message trailer

Name: Message trailer

UN/EDIFACT			Implementation	
	Name	St Format	St Format	Use / Remarks
UNT				
0074	Number of segments in the message	M n..6	M n..6	Control value: Number of segments.
0062	Message reference number	M an..14	M an..14	Control value: Message reference number.

Remark:

Example:

UNT+22+51020053 '