



Message Specification

Volvo DELJIT (DIRECT2)

Based on:

DELJIT

Delivery just in time message

JAI EDIFACT D.04B

Version: 1
Variant: 1
Issue date: 2014-02-12
Author: Volvo Information Technology AB

1 Message Structure.....	2
2 Branching Diagram	3
3 Segments	7

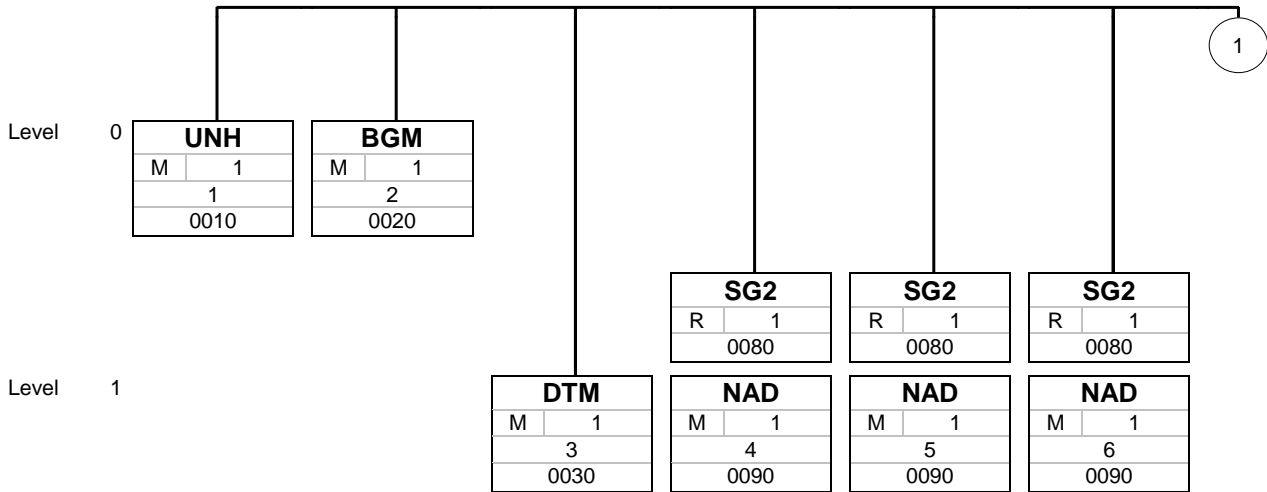
Structure / Table of Contents

Counter	No	Tag	St	MaxOcc	Level	Content
0010	1	UNH	M	1	0	Message header
0020	2	BGM	M	1	0	Beginning of message
0030	3	DTM	M	1	1	Message Date Time
0080		SG2	R	1	1	Buyer
0090	4	NAD	M	1	1	Buyer's Name and Address
0080		SG2	R	1	1	Ship-from
0090	5	NAD	M	1	1	Ship From's Name and address
0080		SG2	R	1	1	Ship-to
0090	6	NAD	M	1	1	Ship To's name and address
0150		SG4	M	9999	1	Delivery Instruction Line (Sequenced)
0160	7	SEQ	M	1	1	Sequence details
0170	8	DTM	R	1	2	Sequence date/time
0180	9	GIR	R	99	2	Related identification numbers
0190	10	LOC	R	5	2	Place of discharge
0250		SG7	R	9999	2	Product Item Line
0260	11	LIN	M	1	2	Line item
0280	12	IMD	D	1	3	Item description
0340		SG8	O	1	3	Delivery Forecast and other References
0350	13	RFF	M	1	3	Reference
0400		SG10	R	1	3	Place of departure / Place of destination / other internal locations
0410	14	LOC	M	1	3	Internal place of destination
0450		SG12	R	1	3	Delivery quantity
0460	15	QTY	M	1	3	Quantity
0560	16	UNT	M	1	0	Message trailer

Counter = Counter of segment/group within the standard
 No = Consecutive segment number
 MaxOcc = Maximum occurrence of the segment/group

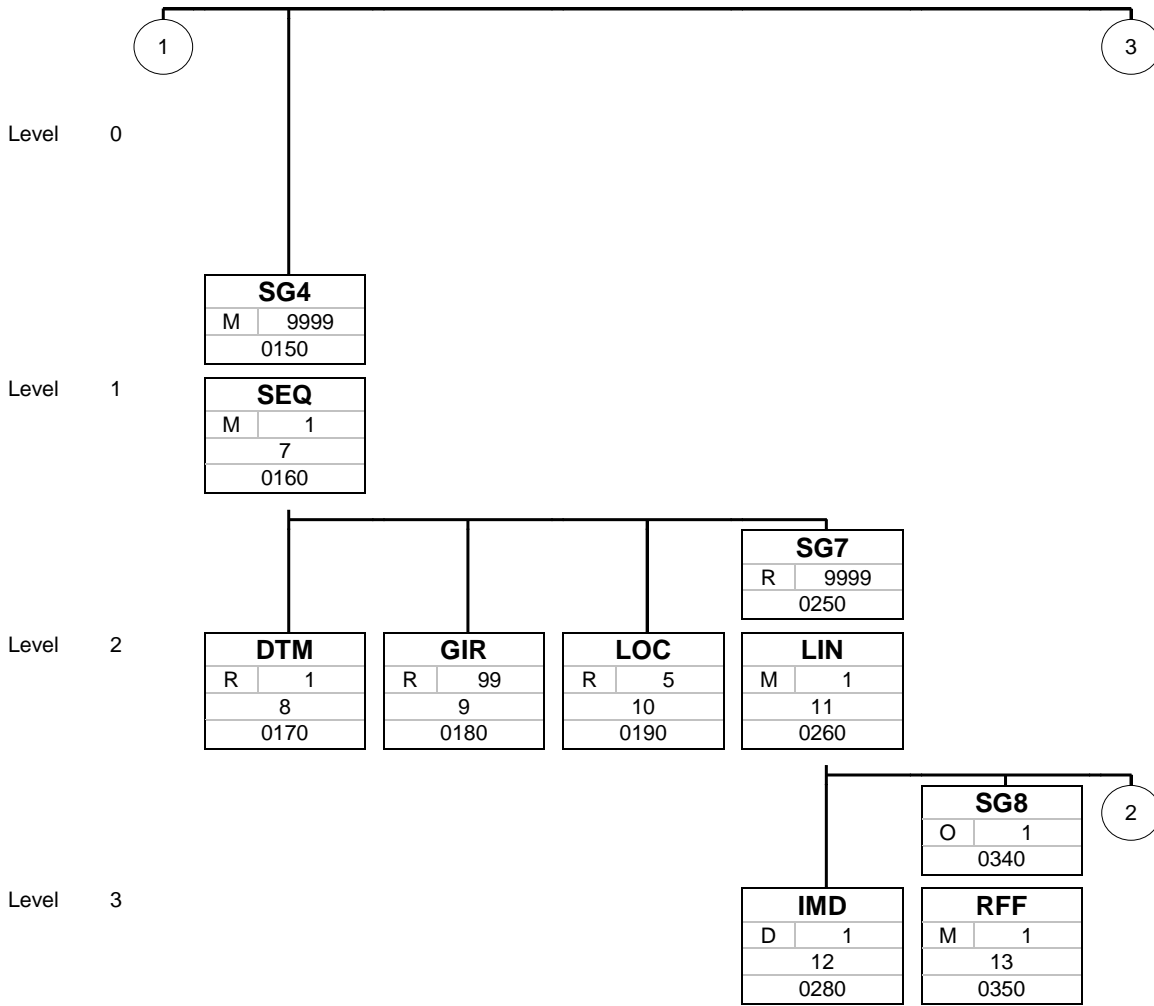
St = Status
 EDIFACT: M=Mandatory, C=Conditional
 User specific: R=Required, O=Optional, D=Dependent,
 A=Advised, N=Not used

Branching Diagram of Used Segments/Groups



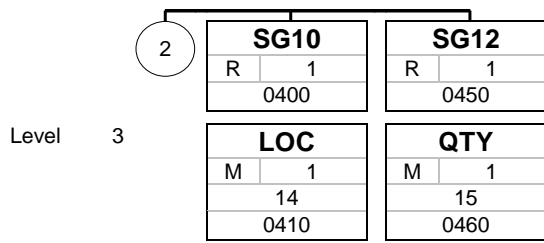
Tag
St MaxOcc
No
Counter

Tag = Segment/Group Tag
 St = Status (M=Mandatory, C=Conditional, R=Required, O=Optional, A=Advised, D=Dependent)
 MaxOcc = Maximum occurrence of the segment/group
 No = Consecutive segment number
 Counter = Counter of segment/group within the standard



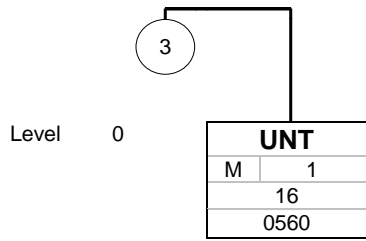
Tag
St MaxOcc
No
Counter

Tag = Segment/Group Tag
 St = Status (M=Mandatory, C=Conditional, R=Required, O=Optional, A=Advised, D=Dependent)
 MaxOcc = Maximum occurrence of the segment/group
 No = Consecutive segment number
 Counter = Counter of segment/group within the standard



Tag
St MaxOcc
No
Counter

Tag = Segment/Group Tag
 St = Status (M=Mandatory, C=Conditional, R=Required, O=Optional, A=Advised, D=Dependent)
 MaxOcc = Maximum occurrence of the segment/group
 No = Consecutive segment number
 Counter = Counter of segment/group within the standard



Tag
St MaxOcc
No
Counter

Tag = Segment/Group Tag
 St = Status (M=Mandatory, C=Conditional, R=Required, O=Optional, A=Advised, D=Dependent)
 MaxOcc = Maximum occurrence of the segment/group
 No = Consecutive segment number
 Counter = Counter of segment/group within the standard

Segments

Counter	No	Tag	St	MaxOcc	Level	Name
0010	1	UNH	M	1	0	Message header

Standard			Implementation	
Tag	Name	St Format	St Format	Usage / Remark
UNH				
0062	Message reference number	M an..14	M an..14	
S009	Message identifier	M	M	
0065	Message type	M an..6	M an..6	DELJIT Delivery just in time message
0052	Message version number	M an..3	M an..3	D Draft version/UN/EDIFACT Directory
0054	Message release number	M an..3	M an..3	04B Release 2004 - B
0051	Controlling agency	M an..2	M an..2	UN UN/CEFACT
0057	Association assigned code	C an..6	R an..6	Code from code list JAI016 To identify a specific business partner profile of message implementation
0068	Common access reference	C an..35	N	Not used
S010	Status of the transfer	C	N	
0070	Sequence of transfers	M n..2	N	Not used
0073	First and last transfer	C a1	N	Not used

Remark:**Example:**

UNH+51020053+DELJIT:D:04B:UN:GMI061'

No = Consecutive segment number
 MaxOcc = Maximum occurrence of the segment/group
 Counter = Counter of segment/group within the standard

St = Status
 Standard: M=Mandatory, C=Conditional
 User specific: R=Required, O=Optional, D=Dependent,
 A=Advised, N=Not used

Counter	No	Tag	St	MaxOcc	Level	Name
0020	2	BGM	M	1	0	Beginning of message

Standard			Implementation	
Tag	Name	St Format	St Format	Usage / Remark
BGM				
C002	Document/message name	C	R	
1001	Document name code	C an..3	R an..3	307 Sequenced delivery schedule
1131	Code list identification code	C an..17	N	Not used
3055	Code list responsible agency code	C an..3	R an..3	6 UN/ECE (United Nations - Economic Commission for Europe) Agency responsible for issue / maintenance of the code list or identifier system.
1000	Document name	C an..35	R an2	D2 = DIRECT2
C106				
1004	Document identifier	C an..35	R an..35	A unique reference number.
1056	Version identifier	C an..9	N	Not used
1060	Revision identifier	C an..6	N	Not used
1225	Message function code	C an..3	N	Not used
4343	Response type code	C an..3	N	Not used

Remark:**Example:**

BGM+307::6:D2+200905041430'

No = Consecutive segment number
 MaxOcc = Maximum occurrence of the segment/group
 Counter = Counter of segment/group within the standard

St = Status
 Standard: M=Mandatory, C=Conditional
 User specific: R=Required, O=Optional, D=Dependent,
 A=Advised, N=Not used

Counter	No	Tag	St	MaxOcc	Level	Name
0030	3	DTM	M	1	1	Message Date Time

Standard			Implementation	
Tag	Name	St Format	St Format	Usage / Remark
DTM				
C507	Date/time/period	M	M	
2005	Date or time or period function code qualifier	M an..3	M an..3	137 Document issue date time
2380	Date or time or period text	C an..35	R n12	Issue date of the business document, assigned by the sender
2379	Date or time or period format code	C an..3	R an..3	203 CCYYMMDDHHMM

Remark:**Example:**

DTM+137:200905040723:203'

No = Consecutive segment number
 MaxOcc = Maximum occurrence of the segment/group
 Counter = Counter of segment/group within the standard

St = Status
 Standard: M=Mandatory, C=Conditional
 User specific: R=Required, O=Optional, D=Dependent,
 A=Advised, N=Not used

Counter	No	Tag	St	MaxOcc	Level	Name
0080		SG2	R	1	1	Buyer
0090	4	NAD	M	1	1	Buyer's Name and Address

Standard			Implementation	
Tag	Name	St Format	St Format	Usage / Remark
NAD				
3035	Party function code qualifier	M an..3	M an..3	BY Buyer
C082	Party identification details	C	R	
3039	Party identifier	M an..35	M an..35	Unique identification of a party by an ID.
1131	Code list identification code	C an..17	N	Not used
3055	Code list responsible agency code	C an..3	R an..3	92 Assigned by buyer or buyer's agent Code specifying the agency responsible for a code list.
C058	Name and address	C	N	
3124	Name and address description	M an..35	N	Not used
3124	Name and address description	C an..35	N	Not used
3124	Name and address description	C an..35	N	Not used
3124	Name and address description	C an..35	N	Not used
3124	Name and address description	C an..35	N	Not used
C080	Party name	C	N	
3036	Party name	M an..35	N	Not used
3036	Party name	C an..35	N	Not used
3036	Party name	C an..35	N	Not used
3036	Party name	C an..35	N	Not used
3036	Party name	C an..35	N	Not used
3045	Party name format code	C an..3	N	Not used
C059	Street	C	N	
3042	Street and number or post office box identifier	M an..35	N	Not used
3042	Street and number or post office box identifier	C an..35	N	Not used
3042	Street and number or post office box identifier	C an..35	N	Not used
3042	Street and number or post office box identifier	C an..35	N	Not used
3164	City name	C an..35	N	Not used
C819	Country sub-entity details	C	N	
3229	Country sub-entity name code	C an..9	N	Not used
1131	Code list identification code	C an..17	N	Not used
3055	Code list responsible agency code	C an..3	N	Not used
3228	Country sub-entity name	C an..70	N	Not used
3251	Postal identification code	C an..17	N	Not used
3207	Country name code	C an..3	N	Not used

Remark:

Volvo's identification of the buying company.

Example:

NAD+BY+1020: :92'

No = Consecutive segment number
 MaxOcc = Maximum occurrence of the segment/group
 Counter = Counter of segment/group within the standard

St = Status
 Standard: M=Mandatory, C=Conditional
 User specific: R=Required, O=Optional, D=Dependent,
 A=Advised, N=Not used

Counter	No	Tag	St	MaxOcc	Level	Name
0080		SG2	R	1	1	Ship-from
0090	5	NAD	M	1	1	Ship From's Name and address

Standard			Implementation	
Tag	Name	St Format	St Format	Usage / Remark
NAD				
3035	Party function code qualifier	M an..3	M an..3	SF Ship from
C082	Party identification details	C	R	
3039	Party identifier	M an..35	R an..35	Unique identification of a party by an ID. Must be given without leading zeroes. The number allocated to the Ship From, sending the goods.
1131	Code list identification code	C an..17	N	Not used
3055	Code list responsible agency code	C an..3	R an..3	92 Assigned by buyer or buyer's agent Code specifying the agency responsible for a code list.
C058	Name and address	C	N	
3124	Name and address description	M an..35	N	Not used
3124	Name and address description	C an..35	N	Not used
3124	Name and address description	C an..35	N	Not used
3124	Name and address description	C an..35	N	Not used
3124	Name and address description	C an..35	N	Not used
C080	Party name	C	N	
3036	Party name	M an..35	N	Not used
3036	Party name	C an..35	N	Not used
3036	Party name	C an..35	N	Not used
3036	Party name	C an..35	N	Not used
3036	Party name	C an..35	N	Not used
3045	Party name format code	C an..3	N	Not used
C059	Street	C	N	
3042	Street and number or post office box identifier	M an..35	N	Not used
3042	Street and number or post office box identifier	C an..35	N	Not used
3042	Street and number or post office box identifier	C an..35	N	Not used
3042	Street and number or post office box identifier	C an..35	N	Not used
3164	City name	C an..35	N	Not used
C819	Country sub-entity details	C	N	
3229	Country sub-entity name code	C an..9	N	Not used
1131	Code list identification code	C an..17	N	Not used
3055	Code list responsible agency code	C an..3	N	Not used
3228	Country sub-entity name	C an..70	N	Not used
3251	Postal identification code	C an..17	N	Not used
3207	Country name code	C an..3	N	Not used

Remark:**Example:**

NAD+SF+6315 : : 92 '

No = Consecutive segment number
MaxOcc = Maximum occurrence of the segment/group
Counter = Counter of segment/group within the standard

St = Status
Standard: M=Mandatory, C=Conditional
User specific: R=Required, O=Optional, D=Dependent,
A=Advised, N=Not used

Counter	No	Tag	St	MaxOcc	Level	Name
0080		SG2	R	1	1	Ship-to
0090	6	NAD	M	1	1	Ship To's name and address

Standard			Implementation	
Tag	Name	St Format	St Format	Usage / Remark
NAD				
3035	Party function code qualifier	M an..3	M an..3	ST Ship to
C082	Party identification details	C	R	
3039	Party identifier	M an..35	M an..35	Unique identification of a party by an ID.
1131	Code list identification code	C an..17	N	Not used
3055	Code list responsible agency code	C an..3	R an..3	92 Assigned by buyer or buyer's agent Code specifying the agency responsible for a code list.
C058	Name and address	C	N	
3124	Name and address description	M an..35	N	Not used
3124	Name and address description	C an..35	N	Not used
3124	Name and address description	C an..35	N	Not used
3124	Name and address description	C an..35	N	Not used
3124	Name and address description	C an..35	N	Not used
C080	Party name	C	N	
3036	Party name	M an..35	N	Not used
3036	Party name	C an..35	N	Not used
3036	Party name	C an..35	N	Not used
3036	Party name	C an..35	N	Not used
3036	Party name	C an..35	N	Not used
3045	Party name format code	C an..3	N	Not used
C059	Street	C	N	
3042	Street and number or post office box identifier	M an..35	N	Not used
3042	Street and number or post office box identifier	C an..35	N	Not used
3042	Street and number or post office box identifier	C an..35	N	Not used
3042	Street and number or post office box identifier	C an..35	N	Not used
3164	City name	C an..35	N	Not used
C819	Country sub-entity details	C	N	
3229	Country sub-entity name code	C an..9	N	Not used
1131	Code list identification code	C an..17	N	Not used
3055	Code list responsible agency code	C an..3	N	Not used
3228	Country sub-entity name	C an..70	N	Not used
3251	Postal identification code	C an..17	N	Not used
3207	Country name code	C an..3	N	Not used

Remark:

The party to which goods are to be shipped (consigned).
Volvo's plant identity.

Example:

NAD+ST+1001 : : 92 '

No = Consecutive segment number
MaxOcc = Maximum occurrence of the segment/group
Counter = Counter of segment/group within the standard

St = Status
Standard: M=Mandatory, C=Conditional
User specific: R=Required, O=Optional, D=Dependent,
A=Advised, N=Not used

Counter	No	Tag	St	MaxOcc	Level	Name
0150		SG4	M	9999	1	Delivery Instruction Line (Sequenced)
0160	7	SEQ	M	1	1	Sequence details

Standard			Implementation	
Tag	Name	St Format	St Format	Usage / Remark
SEQ				
1229	Action request/notification description code	C an..3	D an..3	39 New
C286	Sequence information	C	N	The sequence will be identified either via a Manufacturer production sequence number or via date/time information
1050	Sequence position identifier	M an..10	N	Production sequence number Not used
1159	Sequence identifier source code	C an..3	N	Not used
1131	Code list identification code	C an..17	N	Not used
3055	Code list responsible agency code	C an..3	N	Not used

Remark:**Example:**

SEQ+39`

No = Consecutive segment number
 MaxOcc = Maximum occurrence of the segment/group
 Counter = Counter of segment/group within the standard

St = Status
 Standard: M=Mandatory, C=Conditional
 User specific: R=Required, O=Optional, D=Dependent,
 A=Advised, N=Not used

Counter	No	Tag	St	MaxOcc	Level	Name
0150		SG4	M	9999	1	Delivery Instruction Line (Sequenced)
0170	8	DTM	R	1	2	Sequence date/time

Standard			Implementation		
Tag	Name	St Format	St Format	Usage / Remark	
DTM					
C507	Date/time/period	M	M		
2005	Date or time or period function code qualifier	M an..3	M an..3	94	Production/manufacture date
2380	Date or time or period text	C an..35	R n12		Fixed date of a production sequence.
2379	Date or time or period format code	C an..3	R an..3	203	CCYYMMDDHHMM

Remark:**Example:**

DTM+94:200905200830:203'

No = Consecutive segment number
 MaxOcc = Maximum occurrence of the segment/group
 Counter = Counter of segment/group within the standard

St = Status
 Standard: M=Mandatory, C=Conditional
 User specific: R=Required, O=Optional, D=Dependent,
 A=Advised, N=Not used

Counter	No	Tag	St	MaxOcc	Level	Name
0150		SG4	M	9999	1	Delivery Instruction Line (Sequenced)
0180	9	GIR	R	99	2	Related identification numbers

Standard			Implementation	
Tag	Name	St Format	St Format	Usage / Remark
GIR				
7297	Set type code qualifier	M an..3	M an..3	4 Vehicle reference set
C206	Identification number	M	M	
7402	Object identifier	M an..35	M an..35	Vehicle identification number.
7405	Object identification code qualifier	C an..3	R an..3	AN Manufacturing reference number
4405	Status description code	C an..3	N	Not used
C206	Identification number	C	N	
7402	Object identifier	M an..35	R an..35	Manufacturing reference number
7405	Object identification code qualifier	C an..3	R an..3	AN Manufacturing reference number
4405	Status description code	C an..3	N	Not used
C206	Identification number	C	N	
7402	Object identifier	M an..35	N	Not used
7405	Object identification code qualifier	C an..3	N	Not used
4405	Status description code	C an..3	N	Not used
C206	Identification number	C	N	
7402	Object identifier	M an..35	N	Not used
7405	Object identification code qualifier	C an..3	N	Not used
4405	Status description code	C an..3	N	Not used
C206	Identification number	C	N	
7402	Object identifier	M an..35	N	Not used
7405	Object identification code qualifier	C an..3	N	Not used
4405	Status description code	C an..3	N	Not used

Remark:

Depending on the process the VIN or manufacturing reference number may be a trigger for product item information (VIN is an attribute of the sequence). In this case, this GIR is used to transmit the relevant identifier.

Example:

GIR+4+11-061-000:AN'

No = Consecutive segment number
 MaxOcc = Maximum occurrence of the segment/group
 Counter = Counter of segment/group within the standard

St = Status
 Standard: M=Mandatory, C=Conditional
 User specific: R=Required, O=Optional, D=Dependent,
 A=Advised, N=Not used

Counter	No	Tag	St	MaxOcc	Level	Name	
	0150	SG4	M	9999	1	Delivery Instruction Line (Sequenced)	
	0190	10	LOC	R	5	2	Place of discharge

Standard			Implementation	
Tag	Name	St Format	St Format	Usage / Remark
LOC				
3227	Location function code qualifier	M an..3	M an..3	11 Place of discharge
C517	Location identification	C	R	
3225	Location name code	C an..35	R an..35	Volvo's identity on Place of Discharge; Shall not be stated on the transport label.
1131	Code list identification code	C an..17	N	Not used
3055	Code list responsible agency code	C an..3	R an..3	Code specifying the agency responsible for a code list. 92 Assigned by buyer or buyer's agent
3224	Location name	C an..256	N	Not used
C519	Related location one identification	C	N	
3223	First related location name code	C an..25	N	Not used
1131	Code list identification code	C an..17	N	Not used
3055	Code list responsible agency code	C an..3	N	Not used
3222	First related location name	C an..70	N	Not used
C553	Related location two identification	C	N	
3233	Second related location name code	C an..25	N	Not used
1131	Code list identification code	C an..17	N	Not used
3055	Code list responsible agency code	C an..3	N	Not used
3232	Second related location name	C an..70	N	Not used
5479	Relation code	C an..3	N	Not used

Remark:**Example:**

LOC+11+020:::92'

No = Consecutive segment number
 MaxOcc = Maximum occurrence of the segment/group
 Counter = Counter of segment/group within the standard

St = Status
 Standard: M=Mandatory, C=Conditional
 User specific: R=Required, O=Optional, D=Dependent,
 A=Advised, N=Not used

Counter	No	Tag	St	MaxOcc	Level	Name
0250		SG7	R	9999	2	Product Item Line
0260	11	LIN	M	1	2	Line item

Standard			Implementation	
Tag	Name	St Format	St Format	Usage / Remark
LIN				
1082	Line item identifier	C an..6	N	Not used
1229	Action request/notification description code	C an..3	N	Not used
C212	Item number identification	C	R	
7140	Item identifier	C an..35	R an..35	(ta bort?) Identifier o a product item or service, assigned by the buyer party Item number Article number
7143	Item type identification code	C an..3	R an..3	IN Buyer's item number Volvo's article number
1131	Code list identification code	C an..17	N	Not used
3055	Code list responsible agency code	C an..3	N	Not used
C829	Sub-line information	C	N	
5495	Sub-line indicator code	C an..3	N	Not used
1082	Line item identifier	C an..6	N	Not used
1222	Configuration level number	C n..2	N	Not used
7083	Configuration operation code	C an..3	N	Not used

Remark:

Mandatory when article number is required.
To identify a line item.

Example:

LIN+++9417416:IN'

No = Consecutive segment number
MaxOcc = Maximum occurrence of the segment/group
Counter = Counter of segment/group within the standard

St = Status
Standard: M=Mandatory, C=Conditional
User specific: R=Required, O=Optional, D=Dependent,
A=Advised, N=Not used

Counter	No	Tag	St	MaxOcc	Level	Name
	0250	SG7	R	9999	2	Product Item Line
	0280	IMD	D	1	3	Item description

Standard			Implementation	
Tag	Name	St Format	St Format	Usage / Remark
IMD				
7077	Description format code	C an..3	N	Not used
C272	Item characteristic	C	N	
7081	Item characteristic code	C an..3	N	Not used
1131	Code list identification code	C an..17	N	Not used
3055	Code list responsible agency code	C an..3	N	Not used
C273	Item description	C	R	
7009	Item description code	C an..17	N	Not used
1131	Code list identification code	C an..17	N	Not used
3055	Code list responsible agency code	C an..3	N	Not used
7008	Item description	C an..256	R an..35	Volvo's article description
7008	Item description	C an..256	N	Not used
3453	Language name code	C an..3	N	Not used
7383	Surface or layer code	C an..3	N	Not used

Remark:

Required if further clarification of the item is needed. (från gamla ver. ej tagit från GL DELFOR)

Example:

IMD+++ : : BOLT'

No = Consecutive segment number
 MaxOcc = Maximum occurrence of the segment/group
 Counter = Counter of segment/group within the standard

St = Status
 Standard: M=Mandatory, C=Conditional
 User specific: R=Required, O=Optional, D=Dependent,
 A=Advised, N=Not used

Counter	No	Tag	St	MaxOcc	Level	Name	
	0340	SG8	O	1	3	Delivery Forecast and other References	
	0350	13	RFF	M	1	3	Reference

Standard			Implementation	
Tag	Name	St Format	St Format	Usage / Remark
RFF				
C506	Reference	M	M	
1153	Reference code qualifier	M an..3	M an..3	ON Order document identifier, buyer assigned Volvo's Purchase order number. Reference to a Purchase order.
1154	Reference identifier	C an..70	R an..70	Identifier of the referenced document
1156	Document line identifier	C an..6	N	Not used
4000	Reference version identifier	C an..35	N	Not used
1060	Revision identifier	C an..6	N	Not used

Remark:**Example:**

RFF+ON:M591079556'

No = Consecutive segment number
 MaxOcc = Maximum occurrence of the segment/group
 Counter = Counter of segment/group within the standard

St = Status
 Standard: M=Mandatory, C=Conditional
 User specific: R=Required, O=Optional, D=Dependent,
 A=Advised, N=Not used

Counter	No	Tag	St	MaxOcc	Level	Name
	0400	SG10	R	1	3	Place of departure / Place of destination / other internal locations
	0410 14	LOC	M	1	3	Internal place of destination

Standard			Implementation	
Tag	Name	St Format	St Format	Usage / Remark
LOC				
3227	Location function code qualifier	M an..3	M an..3	159 Additional internal destination
C517	Location identification	C	R	
3225	Location name code	C an..35	R an..35	Identifier / code specifying the name of a location. (Tas med?) Final unloading point. To be printed on the transport label in the field "Dock and Gate".
1131	Code list identification code	C an..17	N	Not used
3055	Code list responsible agency code	C an..3	R an..3	Code specifying the agency responsible for a code list. 92 Assigned by buyer or buyer's agent
3224	Location name	C an..256	N	Not used
C519	Related location one identification	C	N	
3223	First related location name code	C an..25	N	Not used
1131	Code list identification code	C an..17	N	Not used
3055	Code list responsible agency code	C an..3	N	Not used
3222	First related location name	C an..70	N	Not used
C553	Related location two identification	C	N	
3233	Second related location name code	C an..25	N	Not used
1131	Code list identification code	C an..17	N	Not used
3055	Code list responsible agency code	C an..3	N	Not used
3232	Second related location name	C an..70	N	Not used
5479	Relation code	C an..3	N	Not used

Remark:

(tas med?) An internal location within the ship-to's premises, where goods are moved to after they have been unloaded, e.g. an assembly line, an internal warehouse, etc.

Example:

LOC+159+F-11 556::92'

No = Consecutive segment number
 MaxOcc = Maximum occurrence of the segment/group
 Counter = Counter of segment/group within the standard

St = Status
 Standard: M=Mandatory, C=Conditional
 User specific: R=Required, O=Optional, D=Dependent,
 A=Advised, N=Not used

Counter	No	Tag	St	MaxOcc	Level	Name
	0450	SG12	R	1	3	Delivery quantity
	0460	15 QTY	M	1	3	Quantity

Standard			Implementation	
Tag	Name	St Format	St Format	Usage / Remark
QTY				
C186	Quantity details	M	M	
6063	Quantity type code qualifier	M an..3	M an..3	167 Total delivery quantity
6060	Quantity	M an..35	M n..10	
6411	Measurement unit code	C an..8	N	Not used

Remark:**Example:**

QTY+167:500'

No = Consecutive segment number
 MaxOcc = Maximum occurrence of the segment/group
 Counter = Counter of segment/group within the standard

St = Status
 Standard: M=Mandatory, C=Conditional
 User specific: R=Required, O=Optional, D=Dependent,
 A=Advised, N=Not used

Counter	No	Tag	St	MaxOcc	Level	Name
0560	16	UNT	M	1	0	Message trailer

Standard			Implementation	
Tag	Name	St Format	St Format	Usage / Remark
UNT				
0074	Number of segments in the message	M n..6	M n..6	Control value: number of segments
0062	Message reference number	M an..14	M an..14	Control value: message reference number

Remark:**Example:**

UNT+83+51020053'

No = Consecutive segment number
 MaxOcc = Maximum occurrence of the segment/group
 Counter = Counter of segment/group within the standard

St = Status
 Standard: M=Mandatory, C=Conditional
 User specific: R=Required, O=Optional, D=Dependent,
 A=Advised, N=Not used