



Message Specification

## Volvo DELJIT (CALDEL)

Based on:

**DELJIT**

Delivery just in time message

**JAI EDIFACT D.04B**

Version: 1  
Variant: 1  
Issue date: 2014-02-12  
Author: Volvo Information Technology AB

1 Message Structure.....	2
2 Branching Diagram .....	3
3 Segments .....	5

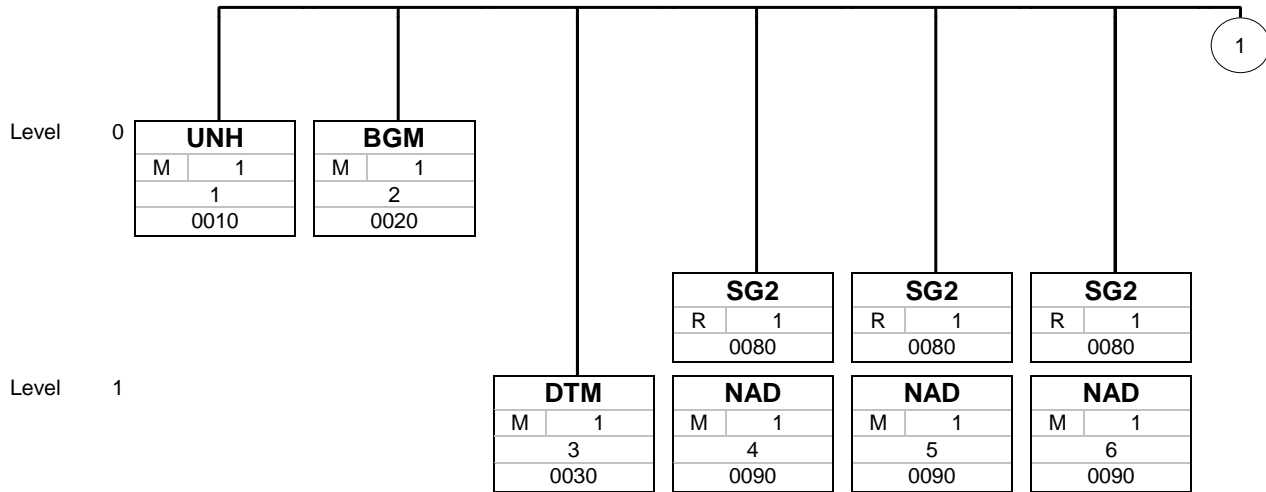
**Structure / Table of Contents**

Counter	No	Tag	St	MaxOcc	Level	Content
0010	1	<b>UNH</b>	M	1	0	Message header
0020	2	<b>BGM</b>	M	1	0	Beginning of message
0030	3	<b>DTM</b>	M	1	1	Message Date Time
0080		<b>SG2</b>	R	1	1	Buyer
0090	4	<b>NAD</b>	M	1	1	Buyer's Name and Address
0080		<b>SG2</b>	R	1	1	Ship-from
0090	5	<b>NAD</b>	M	1	1	Ship From's Name and address
0080		<b>SG2</b>	R	1	1	Ship-to
0090	6	<b>NAD</b>	M	1	1	Ship To's name and address
0150		<b>SG4</b>	M	9999	1	Delivery Instruction Line
0160	7	<b>SEQ</b>	M	1	1	Sequence details
0190	8	<b>LOC</b>	R	5	2	Place of discharge
0250		<b>SG7</b>	R	9999	2	Product Item Line
0260	9	<b>LIN</b>	M	1	2	Line item
0340		<b>SG8</b>	R	1	3	A group of segments relating to the line item.
0350	10	<b>RFF</b>	M	1	3	Reference
0340		<b>SG8</b>	O	1	3	Delivery Forecast and other References
0350	11	<b>RFF</b>	M	1	3	Reference
0400		<b>SG10</b>	R	1	3	Internal place of destination
0410	12	<b>LOC</b>	M	1	3	Internal place of destination
0450		<b>SG12</b>	R	1	3	Delivery quantity
0460	13	<b>QTY</b>	M	1	3	Quantity
0480	14	<b>DTM</b>	R	1	4	Delivery date
0560	15	<b>UNT</b>	M	1	0	Message trailer

Counter = Counter of segment/group within the standard  
 No = Consecutive segment number  
 MaxOcc = Maximum occurrence of the segment/group

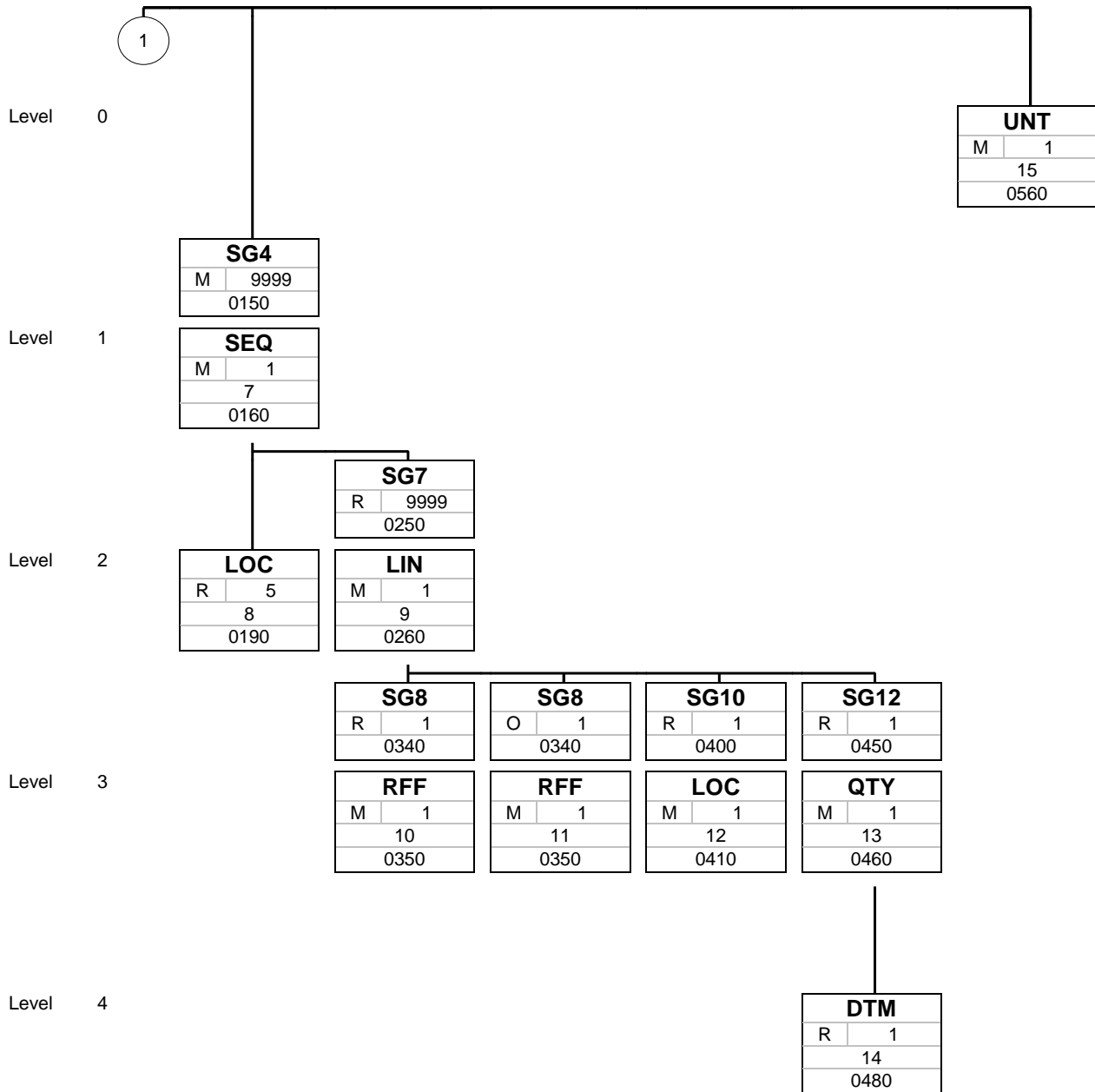
St = Status  
 EDIFACT: M=Mandatory, C=Conditional  
 User specific: R=Required, O=Optional, D=Dependent,  
 A=Advised, N=Not used

**Branching Diagram of Used Segments/Groups**



Tag
St MaxOcc
No
Counter

Tag = Segment/Group Tag  
 St = Status (M=Mandatory, C=Conditional, R=Required, O=Optional, A=Advised, D=Dependent)  
 MaxOcc = Maximum occurrence of the segment/group  
 No = Consecutive segment number  
 Counter = Counter of segment/group within the standard



Tag
St MaxOcc
No
Counter

Tag = Segment/Group Tag  
 St = Status (M=Mandatory, C=Conditional, R=Required, O=Optional, A=Advised, D=Dependent)  
 MaxOcc = Maximum occurrence of the segment/group  
 No = Consecutive segment number  
 Counter = Counter of segment/group within the standard

**Segments**

Counter	No	Tag	St	MaxOcc	Level	Name
0010	1	<b>UNH</b>	M	1	0	Message header

Standard			Implementation	
Tag	Name	St Format	St Format	Usage / Remark
UNH				
0062	Message reference number	M an..14	M an..14	
S009	Message identifier	M	M	
0065	Message type	M an..6	M an..6	<b>DELJIT</b> Delivery just in time message
0052	Message version number	M an..3	M an..3	<b>D</b> Draft version/UN/EDIFACT Directory
0054	Message release number	M an..3	M an..3	<b>04B</b> Release 2004 - B
0051	Controlling agency	M an..2	M an..2	<b>UN</b> UN/CEFACT
0057	Association assigned code	C an..6	R an..6	Code from code list JAI016 To identify a specific business partner profile of message implementation
0068	Common access reference	C an..35	N	Not used
S010	Status of the transfer	C	N	
0070	Sequence of transfers	M n..2	N	Not used
0073	First and last transfer	C a1	N	Not used

**Remark:****Example:**

UNH+51020053+DELJIT:D:04B:UN:GMI061'

No = Consecutive segment number  
 MaxOcc = Maximum occurrence of the segment/group  
 Counter = Counter of segment/group within the standard

St = Status  
 Standard: M=Mandatory, C=Conditional  
 User specific: R=Required, O=Optional, D=Dependent,  
 A=Advised, N=Not used

Counter	No	Tag	St	MaxOcc	Level	Name
0020	2	<b>BGM</b>	M	1	0	Beginning of message

Standard			Implementation	
Tag	Name	St Format	St Format	Usage / Remark
BGM				
C002	Document/message name	C	R	
1001	Document name code	C an..3	R an..3	<b>242 Delivery just-in-time</b> Code 242 is used for JIT delivery instruction (CALDEL, requirement based)
1131	Code list identification code	C an..17	N	Not used
3055	Code list responsible agency code	C an..3	R an..3	<b>6 UN/ECE (United Nations - Economic Commission for Europe)</b> Agency responsible for issue / maintenance of the code list or identifier system.
1000	Document name	C an..35	R an2	CD = CALDEL
C106	Document/message identification	C	R	
1004	Document identifier	C an..35	R an..35	A unique reference number.
1056	Version identifier	C an..9	N	Not used
1060	Revision identifier	C an..6	N	Not used
1225	Message function code	C an..3	N	Not used
4343	Response type code	C an..3	N	Not used

**Remark:****Example:**

BGM+242:::6:CD+200905041430'

No = Consecutive segment number  
 MaxOcc = Maximum occurrence of the segment/group  
 Counter = Counter of segment/group within the standard

St = Status  
 Standard: M=Mandatory, C=Conditional  
 User specific: R=Required, O=Optional, D=Dependent,  
 A=Advised, N=Not used

Counter	No	Tag	St	MaxOcc	Level	Name
0030	3	<b>DTM</b>	M	1	1	Message Date Time

Standard			Implementation	
Tag	Name	St Format	St Format	Usage / Remark
DTM				
C507	Date/time/period	M	M	
2005	Date or time or period function code qualifier	M an..3	M an..3	<b>137 Document issue date time</b>
2380	Date or time or period text	C an..35	R n12	Issue date of the business document, assigned by the sender
2379	Date or time or period format code	C an..3	R an..3	<b>203 CCYYMMDDHHMM</b>

**Remark:****Example:**

DTM+137:200905040723:203'

No = Consecutive segment number  
 MaxOcc = Maximum occurrence of the segment/group  
 Counter = Counter of segment/group within the standard

St = Status  
 Standard: M=Mandatory, C=Conditional  
 User specific: R=Required, O=Optional, D=Dependent,  
 A=Advised, N=Not used

Counter	No	Tag	St	MaxOcc	Level	Name
0080		<b>SG2</b>	R	1	1	Buyer
0090	4	<b>NAD</b>	M	1	1	Buyer's Name and Address

Standard			Implementation	
Tag	Name	St Format	St Format	Usage / Remark
NAD				
3035	Party function code qualifier	M an..3	M an..3	<b>BY</b> Buyer
C082	Party identification details	C	R	
3039	Party identifier	M an..35	M an..35	Unique identification of a party by an ID.
1131	Code list identification code	C an..17	N	Not used
3055	Code list responsible agency code	C an..3	R an..3	<b>92</b> Assigned by buyer or buyer's agent Code specifying the agency responsible for a code list.
C058	Name and address	C	N	
3124	Name and address description	M an..35	N	Not used
3124	Name and address description	C an..35	N	Not used
3124	Name and address description	C an..35	N	Not used
3124	Name and address description	C an..35	N	Not used
3124	Name and address description	C an..35	N	Not used
C080	Party name	C	N	
3036	Party name	M an..35	N	Not used
3036	Party name	C an..35	N	Not used
3036	Party name	C an..35	N	Not used
3036	Party name	C an..35	N	Not used
3036	Party name	C an..35	N	Not used
3045	Party name format code	C an..3	N	Not used
C059	Street	C	N	
3042	Street and number or post office box identifier	M an..35	N	Not used
3042	Street and number or post office box identifier	C an..35	N	Not used
3042	Street and number or post office box identifier	C an..35	N	Not used
3042	Street and number or post office box identifier	C an..35	N	Not used
3164	City name	C an..35	N	Not used
C819	Country sub-entity details	C	N	
3229	Country sub-entity name code	C an..9	N	Not used
1131	Code list identification code	C an..17	N	Not used
3055	Code list responsible agency code	C an..3	N	Not used
3228	Country sub-entity name	C an..70	N	Not used
3251	Postal identification code	C an..17	N	Not used
3207	Country name code	C an..3	N	Not used

**Remark:**

Volvo's identification of the buying company.

**Example:**

NAD+BY+1020: :92'

No = Consecutive segment number  
 MaxOcc = Maximum occurrence of the segment/group  
 Counter = Counter of segment/group within the standard

St = Status  
 Standard: M=Mandatory, C=Conditional  
 User specific: R=Required, O=Optional, D=Dependent,  
 A=Advised, N=Not used



Counter	No	Tag	St	MaxOcc	Level	Name
0080		<b>SG2</b>	R	1	1	Ship-from
0090	5	<b>NAD</b>	M	1	1	Ship From's Name and address

Standard			Implementation	
Tag	Name	St Format	St Format	Usage / Remark
NAD				
3035	Party function code qualifier	M an..3	M an..3	<b>SF</b> Ship from
C082	Party identification details	C	R	
3039	Party identifier	M an..35	R an..35	Unique identification of a party by an ID. Must be given without leading zeroes. The number allocated to the Ship From, sending the goods.
1131	Code list identification code	C an..17	N	Not used
3055	Code list responsible agency code	C an..3	R an..3	<b>92</b> Assigned by buyer or buyer's agent Code specifying the agency responsible for a code list.
C058	Name and address	C	N	
3124	Name and address description	M an..35	N	Not used
3124	Name and address description	C an..35	N	Not used
3124	Name and address description	C an..35	N	Not used
3124	Name and address description	C an..35	N	Not used
3124	Name and address description	C an..35	N	Not used
C080	Party name	C	N	
3036	Party name	M an..35	N	Not used
3036	Party name	C an..35	N	Not used
3036	Party name	C an..35	N	Not used
3036	Party name	C an..35	N	Not used
3036	Party name	C an..35	N	Not used
3045	Party name format code	C an..3	N	Not used
C059	Street	C	N	
3042	Street and number or post office box identifier	M an..35	N	Not used
3042	Street and number or post office box identifier	C an..35	N	Not used
3042	Street and number or post office box identifier	C an..35	N	Not used
3042	Street and number or post office box identifier	C an..35	N	Not used
3164	City name	C an..35	N	Not used
C819	Country sub-entity details	C	N	
3229	Country sub-entity name code	C an..9	N	Not used
1131	Code list identification code	C an..17	N	Not used
3055	Code list responsible agency code	C an..3	N	Not used
3228	Country sub-entity name	C an..70	N	Not used
3251	Postal identification code	C an..17	N	Not used
3207	Country name code	C an..3	N	Not used

**Remark:****Example:**

NAD+SF+6315 : : 92 '

No = Consecutive segment number  
 MaxOcc = Maximum occurrence of the segment/group  
 Counter = Counter of segment/group within the standard

St = Status  
 Standard: M=Mandatory, C=Conditional  
 User specific: R=Required, O=Optional, D=Dependent,  
 A=Advised, N=Not used

Counter	No	Tag	St	MaxOcc	Level	Name
0080		<b>SG2</b>	R	1	1	Ship-to
0090	6	<b>NAD</b>	M	1	1	Ship To's name and address

Standard			Implementation	
Tag	Name	St Format	St Format	Usage / Remark
NAD				
3035	Party function code qualifier	M an..3	M an..3	<b>ST Ship to</b>
C082	Party identification details	C	R	
3039	Party identifier	M an..35	M an..35	Unique identification of a party by an ID.
1131	Code list identification code	C an..17	N	Not used
3055	Code list responsible agency code	C an..3	R an..3	<b>92 Assigned by buyer or buyer's agent</b> Code specifying the agency responsible for a code list.
C058	Name and address	C	N	
3124	Name and address description	M an..35	N	Not used
3124	Name and address description	C an..35	N	Not used
3124	Name and address description	C an..35	N	Not used
3124	Name and address description	C an..35	N	Not used
3124	Name and address description	C an..35	N	Not used
C080	Party name	C	N	
3036	Party name	M an..35	N	Not used
3036	Party name	C an..35	N	Not used
3036	Party name	C an..35	N	Not used
3036	Party name	C an..35	N	Not used
3036	Party name	C an..35	N	Not used
3045	Party name format code	C an..3	N	Not used
C059	Street	C	N	
3042	Street and number or post office box identifier	M an..35	N	Not used
3042	Street and number or post office box identifier	C an..35	N	Not used
3042	Street and number or post office box identifier	C an..35	N	Not used
3042	Street and number or post office box identifier	C an..35	N	Not used
3164	City name	C an..35	N	Not used
C819	Country sub-entity details	C	N	
3229	Country sub-entity name code	C an..9	N	Not used
1131	Code list identification code	C an..17	N	Not used
3055	Code list responsible agency code	C an..3	N	Not used
3228	Country sub-entity name	C an..70	N	Not used
3251	Postal identification code	C an..17	N	Not used
3207	Country name code	C an..3	N	Not used

**Remark:**

The party to which goods are to be shipped (consigned).  
Volvo's plant identity.

**Example:**

NAD+ST+1001 : : 92 '

No = Consecutive segment number  
MaxOcc = Maximum occurrence of the segment/group  
Counter = Counter of segment/group within the standard

St = Status  
Standard: M=Mandatory, C=Conditional  
User specific: R=Required, O=Optional, D=Dependent,  
A=Advised, N=Not used

Counter	No	Tag	St	MaxOcc	Level	Name
0150		<b>SG4</b>	M	9999	1	Delivery Instruction Line
0160	7	<b>SEQ</b>	M	1	1	Sequence details

Standard			Implementation	
Tag	Name	St Format	St Format	Usage / Remark
SEQ				
1229	Action request/notification description code	C an..3	R an..3	For requirements based delivery instruction SEQ is just a trigger. Code 40 is used. <b>40 Agreed</b>
C286	Sequence information	C	N	
1050	Sequence position identifier	M an..10	N	Not used
1159	Sequence identifier source code	C an..3	N	Not used
1131	Code list identification code	C an..17	N	Not used
3055	Code list responsible agency code	C an..3	N	Not used

**Remark:****Example:**

SEQ+40'

No = Consecutive segment number  
 MaxOcc = Maximum occurrence of the segment/group  
 Counter = Counter of segment/group within the standard

St = Status  
 Standard: M=Mandatory, C=Conditional  
 User specific: R=Required, O=Optional, D=Dependent,  
 A=Advised, N=Not used

Counter	No	Tag	St	MaxOcc	Level	Name
	0150	<b>SG4</b>	M	9999	1	Delivery Instruction Line
	0190	<b>LOC</b>	R	5	2	Place of discharge

Standard			Implementation	
Tag	Name	St Format	St Format	Usage / Remark
LOC				
3227	Location function code qualifier	M an..3	M an..3	<b>11</b> Place of discharge
C517	Location identification	C	R	
3225	Location name code	C an..35	R an..35	Volvo's identity on Place of Discharge; Shall not be stated on the transport label.
1131	Code list identification code	C an..17	N	Not used
3055	Code list responsible agency code	C an..3	R an..3	Code specifying the agency responsible for a code list. <b>92 Assigned by buyer or buyer's agent</b>
3224	Location name	C an..256	N	Not used
C519	Related location one identification	C	N	
3223	First related location name code	C an..25	N	Not used
1131	Code list identification code	C an..17	N	Not used
3055	Code list responsible agency code	C an..3	N	Not used
3222	First related location name	C an..70	N	Not used
C553	Related location two identification	C	N	
3233	Second related location name code	C an..25	N	Not used
1131	Code list identification code	C an..17	N	Not used
3055	Code list responsible agency code	C an..3	N	Not used
3232	Second related location name	C an..70	N	Not used
5479	Relation code	C an..3	N	Not used

**Remark:****Example:**

LOC+11+020:::92'  
1

No = Consecutive segment number  
MaxOcc = Maximum occurrence of the segment/group  
Counter = Counter of segment/group within the standard

St = Status  
Standard: M=Mandatory, C=Conditional  
User specific: R=Required, O=Optional, D=Dependent,  
A=Advised, N=Not used

Counter	No	Tag	St	MaxOcc	Level	Name
0250		<b>SG7</b>	R	9999	2	Product Item Line
0260	9	<b>LIN</b>	M	1	2	Line item

Standard			Implementation	
Tag	Name	St Format	St Format	Usage / Remark
LIN				
1082	Line item identifier	C an..6	N	Not used
1229	Action request/notification description code	C an..3	N	Not used
C212	Item number identification	C	R	
7140	Item identifier	C an..35	R an..35	Buyer's article number without leading zeroes.
7143	Item type identification code	C an..3	R an..3	<b>IN</b> <b>Buyer's item number</b>
1131	Code list identification code	C an..17	N	Not used
3055	Code list responsible agency code	C an..3	N	Not used
C829	Sub-line information	C	N	
5495	Sub-line indicator code	C an..3	N	Not used
1082	Line item identifier	C an..6	N	Not used
1222	Configuration level number	C n..2	N	Not used
7083	Configuration operation code	C an..3	N	Not used

**Remark:****Example:**

LIN+++1380794:IN'

No = Consecutive segment number  
 MaxOcc = Maximum occurrence of the segment/group  
 Counter = Counter of segment/group within the standard

St = Status  
 Standard: M=Mandatory, C=Conditional  
 User specific: R=Required, O=Optional, D=Dependent,  
 A=Advised, N=Not used

Counter	No	Tag	St	MaxOcc	Level	Name
	0340	<b>SG8</b>	R	1	3	A group of segments relating to the line item.
	0350	10 <b>RFF</b>	M	1	3	Reference

Standard			Implementation	
Tag	Name	St Format	St Format	Usage / Remark
RFF				
C506	Reference	M	M	
1153	Reference code qualifier	M an..3	M an..3	<b>AAJ</b> Delivery order number <b>CR</b> Customer reference number Code giving specific meaning to a reference segment or a reference number.
1154	Reference identifier	C an..70	R an..17	Identification number
1156	Document line identifier	C an..6	N	Not used
4000	Reference version identifier	C an..35	N	Not used
1060	Revision identifier	C an..6	N	Not used

**Remark:****Example:**

RFF+AAJ:987654'

No = Consecutive segment number  
 MaxOcc = Maximum occurrence of the segment/group  
 Counter = Counter of segment/group within the standard

St = Status  
 Standard: M=Mandatory, C=Conditional  
 User specific: R=Required, O=Optional, D=Dependent,  
 A=Advised, N=Not used

Counter	No	Tag	St	MaxOcc	Level	Name	
	0340	<b>SG8</b>	O	1	3	Delivery Forecast and other References	
	0350	11	<b>RFF</b>	M	1	3	Reference

Standard			Implementation	
Tag	Name	St Format	St Format	Usage / Remark
RFF				
C506	Reference	M	M	
1153	Reference code qualifier	M an..3	M an..3	<b>ON</b> <b>Order document identifier, buyer assigned</b> Volvo's Purchase order number. Reference to a Purchase order.
1154	Reference identifier	C an..70	R an..70	Identifier of the referenced document
1156	Document line identifier	C an..6	N	Not used
4000	Reference version identifier	C an..35	N	Not used
1060	Revision identifier	C an..6	N	Not used

**Remark:****Example:**

RFF+ON:M591079556'

No = Consecutive segment number  
 MaxOcc = Maximum occurrence of the segment/group  
 Counter = Counter of segment/group within the standard

St = Status  
 Standard: M=Mandatory, C=Conditional  
 User specific: R=Required, O=Optional, D=Dependent,  
 A=Advised, N=Not used

Counter	No	Tag	St	MaxOcc	Level	Name
	0400	<b>SG10</b>	R	1	3	Internal place of destination
	0410	<b>LOC</b>	M	1	3	Internal place of destination

Standard			Implementation	
Tag	Name	St Format	St Format	Usage / Remark
LOC				
3227	Location function code qualifier	M an..3	M an..3	<b>159 Additional internal destination</b> Code specifying a type of location.
C517	Location identification	C	R	
3225	Location name code	C an..35	R an..35	Final unloading point.
1131	Code list identification code	C an..17	N	Not used
3055	Code list responsible agency code	C an..3	R an..3	<b>92 Assigned by buyer or buyer's agent</b>
3224	Location name	C an..256	N	Not used
C519	Related location one identification	C	N	
3223	First related location name code	C an..25	N	Not used
1131	Code list identification code	C an..17	N	Not used
3055	Code list responsible agency code	C an..3	N	Not used
3222	First related location name	C an..70	N	Not used
C553	Related location two identification	C	N	
3233	Second related location name code	C an..25	N	Not used
1131	Code list identification code	C an..17	N	Not used
3055	Code list responsible agency code	C an..3	N	Not used
3232	Second related location name	C an..70	N	Not used
5479	Relation code	C an..3	N	Not used

**Remark:****Example:**

LOC+159+LB22 31200 020::92'

No = Consecutive segment number  
 MaxOcc = Maximum occurrence of the segment/group  
 Counter = Counter of segment/group within the standard

St = Status  
 Standard: M=Mandatory, C=Conditional  
 User specific: R=Required, O=Optional, D=Dependent,  
 A=Advised, N=Not used



Counter	No	Tag	St	MaxOcc	Level	Name
0450		<b>SG12</b>	R	1	3	Delivery quantity
0460	13	<b>QTY</b>	M	1	3	Quantity

Standard			Implementation	
Tag	Name	St Format	St Format	Usage / Remark
QTY				
C186	Quantity details	M	M	
6063	Quantity type code qualifier	M an..3	M an..3	<b>113</b> <b>Quantity to be delivered</b>
6060	Quantity	M an..35	M n..10	
6411	Measurement unit code	C an..8	N	Not used

**Remark:****Example:**

QTY+113:500'

No = Consecutive segment number  
 MaxOcc = Maximum occurrence of the segment/group  
 Counter = Counter of segment/group within the standard

St = Status  
 Standard: M=Mandatory, C=Conditional  
 User specific: R=Required, O=Optional, D=Dependent,  
 A=Advised, N=Not used

Counter	No	Tag	St	MaxOcc	Level	Name
	0450	<b>SG12</b>	R	1	3	Delivery quantity
	0480	14 <b>DTM</b>	R	1	4	Delivery date

Standard			Implementation		
Tag	Name	St Format	St Format	Usage / Remark	
DTM					
C507	Date/time/period	M	M		
2005	Date or time or period function code qualifier	M an..3	M an..3	<b>10</b>	<b>Shipment date/time, requested</b>
2380	Date or time or period text	C an..35	R n12		
2379	Date or time or period format code	C an..3	R an..3	<b>203</b>	<b>CCYYMMDDHHMM</b>

**Remark:****Example:**

DTM+10:200905130700:203'

No = Consecutive segment number  
 MaxOcc = Maximum occurrence of the segment/group  
 Counter = Counter of segment/group within the standard

St = Status  
 Standard: M=Mandatory, C=Conditional  
 User specific: R=Required, O=Optional, D=Dependent,  
 A=Advised, N=Not used

Counter	No	Tag	St	MaxOcc	Level	Name
0560	15	<b>UNT</b>	M	1	0	Message trailer

Standard			Implementation	
Tag	Name	St Format	St Format	Usage / Remark
UNT				
0074	Number of segments in the message	M n..6	M n..6	Control value: number of segments
0062	Message reference number	M an..14	M an..14	Control value: message reference number

**Remark:****Example:**

UNT+83+51020053'

No = Consecutive segment number  
 MaxOcc = Maximum occurrence of the segment/group  
 Counter = Counter of segment/group within the standard

St = Status  
 Standard: M=Mandatory, C=Conditional  
 User specific: R=Required, O=Optional, D=Dependent,  
 A=Advised, N=Not used