



Message Specification

VOLVO GLOBAL INVOIC D07A (NAP)

Based on:

INVOIC

Invoice message

UN D.07A S3; JAIF; 2012

Version: 1
Variant: 0
Issue date: 2019-08-13
Author: Volvo Group IT

Message Structure

Counter	No	Tag	St	MaxOcc	Level	Content
0010	1	UNH	M	1	0	Message header
0020	2	BGM	M	1	0	Beginning of message
0030	3	DTM	M	1	1	Message date
0030	4	DTM	D	1	1	Tax point date or period
0030	5	DTM	D	1	1	Horizon start date
0030	6	DTM	D	1	1	Horizon end date
0070	7	FTX	D	3	1	Legal info free text
0070	8	FTX	D	1	1	Payment instructions free text
0090	9	GEI	R	1	1	Processing indicator
0120		SG1	D	1	1	Other Reference
0130	10	RFF	M	1	1	Application reference number
0120		SG1	D	1	1	Other Reference
0130	11	RFF	M	1	1	Invoice document identifier
0220		SG2	R	1	1	Buyer
0230	12	NAD	M	1	1	Buyer's Name and Address
0270		SG3	D	5	2	Buyer's reference number(s)
0280	13	RFF	M	1	2	Buyer's reference number(s)
0330		SG5	D	1	2	Buyer's information contact
0340	14	CTA	M	1	2	Contact information
0330		SG5	R	1	2	Buyer's purchase contact
0340	15	CTA	M	1	2	Contact information
0350	16	COM	O	2	3	Communication contact
0220		SG2	D	1	1	Buyer as officially registered
0230	17	NAD	M	1	1	Buyer as officially registered
0220		SG2	D	1	1	Invoicee
0230	18	NAD	M	1	1	Invoicee
0270		SG3	D	5	2	Invoicee's reference number(s)
0280	19	RFF	M	1	2	Invoicee's reference number(s)
0220		SG2	D	1	1	Ship-to
0230	20	NAD	M	1	1	Ship-to's Name and Address
0270		SG3	D	5	2	Ship-to's reference number(s)
0280	21	RFF	M	1	2	Ship-to's reference number(s)
0220		SG2	D	1	1	Buyer's Tax representative party
0230	22	NAD	M	1	1	Buyer's Tax representative
0270		SG3	D	1	2	VAT registration number
0280	23	RFF	M	1	2	VAT registration number
0220		SG2	R	1	1	Seller
0230	24	NAD	M	1	1	Seller's Name and Address

Counter = Counter of segment/group within the standard
 No = Consecutive segment number
 MaxOcc = Maximum occurrence of the segment/group

St = Status
 EDIFACT: M=Mandatory, C=Conditional
 User specific: R=Required, O=Optional, D=Dependent,
 A=Advised, N=Not used

Counter	No	Tag	St	MaxOcc	Level	Content
	0270	SG3	D	5	2	Seller's reference number(s)
	0280	25 RFF	M	1	2	Seller's reference number(s)
	0330	SG5	R	1	2	Seller's accounting contact
	0340	26 CTA	M	1	2	Seller's accounting contact
	0350	27 COM	R	2	3	Communication contact
	0330	SG5	O	1	2	Seller's sales contact
	0340	28 CTA	M	1	2	Seller's sales contact
	0350	29 COM	R	2	3	Communication contact
	0220	SG2	D	1	1	Seller as officially registered
	0230	30 NAD	M	1	1	Seller as officially registered
	0220	SG2	D	1	1	Payee
	0230	31 NAD	M	1	1	Payee's Name and Address
	0250	32 FII	R	1	2	Pay-to's financial institution
	0270	SG3	D	5	2	Payee's reference number(s)
	0280	33 RFF	M	1	2	Payee's reference number(s)
	0220	SG2	D	1	1	Ship-from
	0230	34 NAD	M	1	1	Ship-from's Name and Address
	0270	SG3	D	5	2	Ship-from's reference number(s)
	0280	35 RFF	M	1	2	Ship-from's reference number(s)
	0220	SG2	D	1	1	Invoice issuer
	0230	36 NAD	M	1	1	Invoice issuer's Name and Address
	0270	SG3	D	5	2	Invoice issuer's reference number(s)
	0280	37 RFF	M	1	2	Invoice issuer's reference number(s)
	0220	SG2	D	1	1	Seller's Tax representative party
	0230	38 NAD	M	1	1	Seller's Tax representative
	0270	SG3	D	1	2	VAT registration number
	0280	39 RFF	M	1	2	VAT registration number
	0400	SG7	R	1	1	Invoice and home currency
	0410	40 CUX	M	1	1	Currencies
	0420	41 DTM	D	1	2	Exchange rate date
	0430	SG8	D	10	1	Payment instructions
	0440	42 PYT	M	1	1	Payment terms
	0450	43 DTM	O	1	2	Payment due date
	0450	44 DTM	O	1	2	Reference date/time
	0500	SG9	D	10	1	Transport details
	0510	45 TDT	M	1	1	Transport information
	0530	SG10	D	10	2	LOC
	0540	46 LOC	M	1	2	Place/location identification
	1090	SG26	R	9999999	1	Line item section
	1100	47 LIN	M	1	1	Line item

Counter = Counter of segment/group within the standard
 No = Consecutive segment number
 MaxOcc = Maximum occurrence of the segment/group

St = Status
 EDIFACT: M=Mandatory, C=Conditional
 User specific: R=Required, O=Optional, D=Dependent,
 A=Advised, N=Not used

Counter	No	Tag	St	MaxOcc	Level	Content
1110	48	PIA	D	1	2	Additional article identifier
1130	49	IMD	R	1	2	Description of article or service
1150	50	QTY	R	1	2	Invoiced quantity
1150	51	QTY	D	2	2	Other quantities
1170	52	ALI	D	1	2	Additional information
1180	53	DTM	D	1	2	Goods receipt date
1190	54	GIN	D	1000	2	Goods identity number
1250		SG27	R	1	2	Line item gross amount
1260	55	MOA	M	1	2	Line item gross amount in invoice currency
1330		SG29	R	1	2	Calculation gross price
1340	56	PRI	M	1	2	Price details
1390		SG30	R	6	2	References to messages
1400	57	RFF	M	1	2	Reference message number
1410	58	DTM	D	1	3	Reference message date
1550		SG34	D	5	2	VAT or other tax rate and amount for line item
1560	59	TAX	M	1	2	VAT or other tax rate line item
1570	60	MOA	R	1	3	VAT or other tax amount line item
1720		SG39	D	10	2	Charges
1730	61	ALC	M	1	2	Charge
1760	62	FTX	D	1	3	Charge description
1830		SG42	R	1	3	Charge - monetary amount
1840	63	MOA	M	1	3	Charge - monetary amount
1910		SG44	D	5	3	Charge - applicable VAT rate and amount
1920	64	TAX	M	1	3	Charge - applicable tax rate
1930	65	MOA	R	1	4	Charge - applicable VAT amount
1990		SG47	D	1	2	Terms of delivery
2000	66	TOD	M	1	2	Terms of delivery - incoterms
2010	67	LOC	R	1	3	Place/location identification
2180	68	UNS	M	1	0	Section control
2200		SG50	M	1	1	Total invoice amount in invoicing currency
2210	69	MOA	M	1	1	Invoice amount in invoicing currency
2200		SG50	D	1	1	Total invoice amount in home currency
2210	70	MOA	M	1	1	Invoice amount in home currency
2200		SG50	D	1	1	Total taxable amount in invoicing currency
2210	71	MOA	M	1	1	Total taxable amount in invoicing currency
2200		SG50	D	1	1	Total taxable amount in home currency
2210	72	MOA	M	1	1	Total taxable amount in home currency
2200		SG50	D	1	1	Total tax amount in invoicing currency
2210	73	MOA	M	1	1	Total tax amount in invoicing currency
2200		SG50	D	1	1	Total tax amount in home currency

Counter = Counter of segment/group within the standard
 No = Consecutive segment number
 MaxOcc = Maximum occurrence of the segment/group

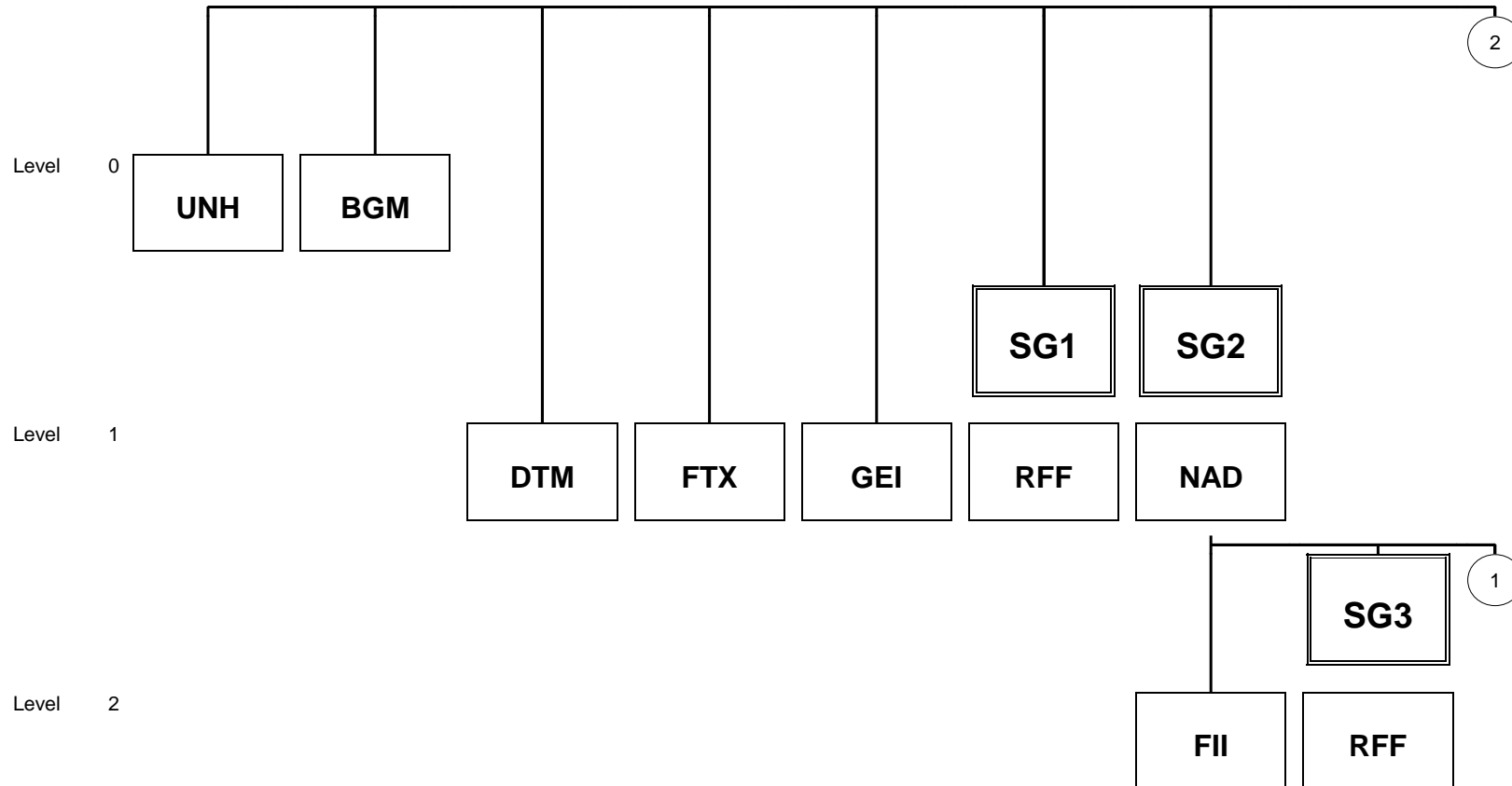
St = Status
 EDIFACT: M=Mandatory, C=Conditional
 User specific: R=Required, O=Optional, D=Dependent,
 A=Advised, N=Not used

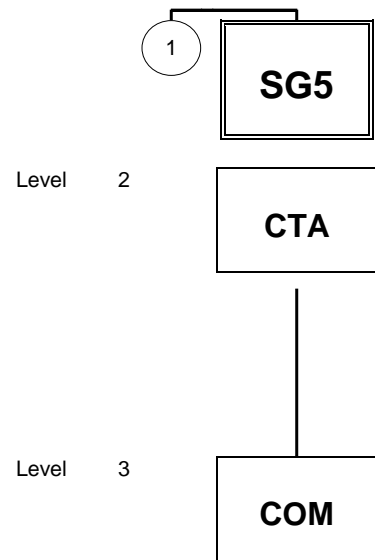
Counter	No	Tag	St	MaxOcc	Level	Content	
	2210	74	MOA	M	1	1	Total tax amount in home currency
	2200	SG50	R	1	1	Total line items amount in invoicing currency	
	2210	75	MOA	M	1	1	Total line items amount in invoicing currency
	2200	SG50	D	1	1	Total invoice additional amount in invoicing currency	
	2210	76	MOA	M	1	1	Total invoice additional amount in invoicing currency
	2200	SG50	D	1	1	Total invoice price adjustment amount in invoicing currency	
	2210	77	MOA	M	1	1	Total invoice adjustment amount in invoicing currency
	2200	SG50	D	2	1	Total non-taxable/exemption amount	
	2210	78	MOA	M	1	1	Non-taxable or exemption amount
	2250	SG52	D	10	1	Tax rates and amounts	
	2260	79	TAX	M	1	1	Tax type
	2270	80	MOA	R	1	2	Tax amount in invoice currency
	2270	81	MOA	R	1	2	Taxable amount in invoice currency
	2330	82	UNT	M	1	0	Message trailer

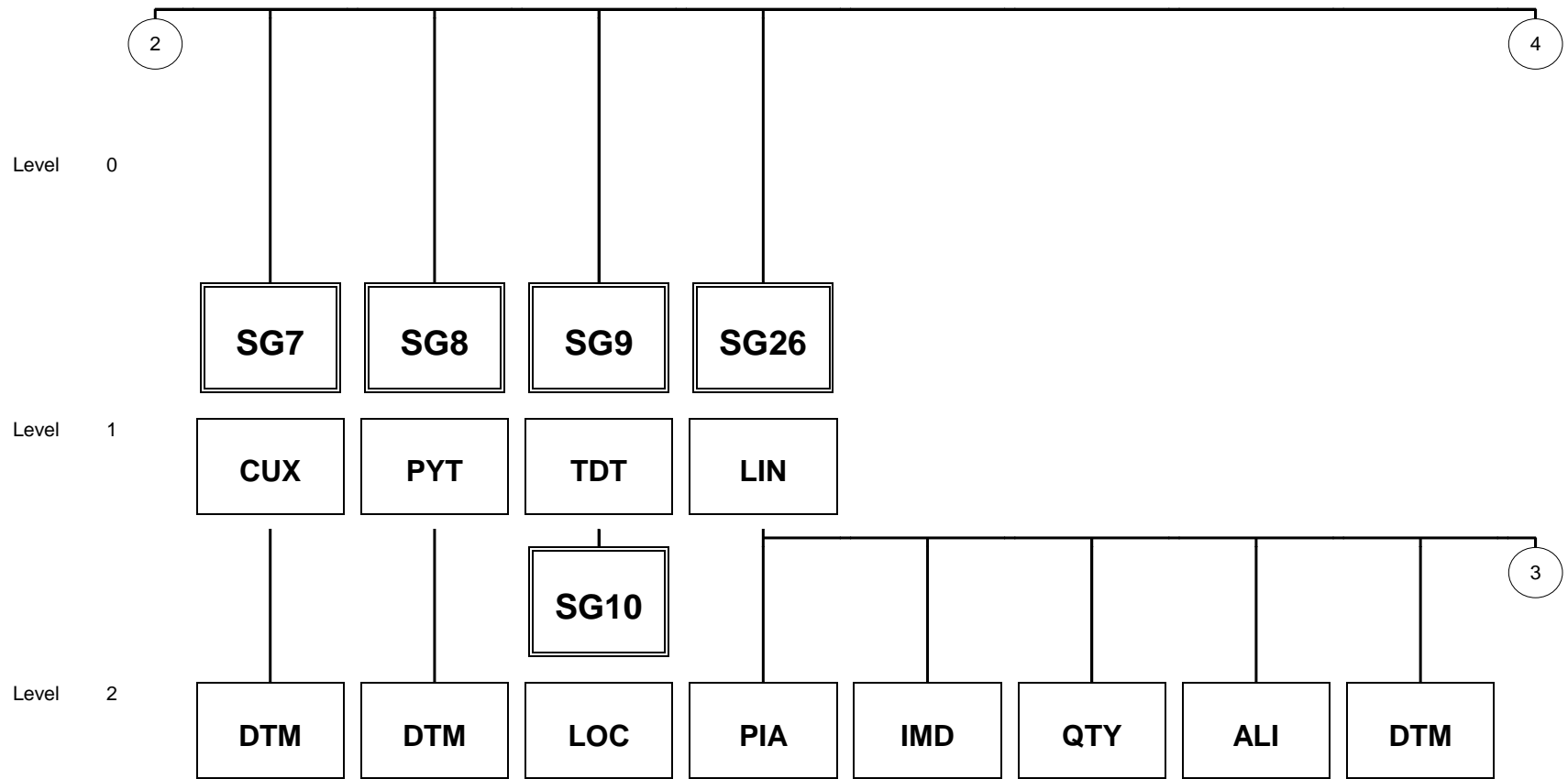
Counter = Counter of segment/group within the standard
 No = Consecutive segment number
 MaxOcc = Maximum occurrence of the segment/group

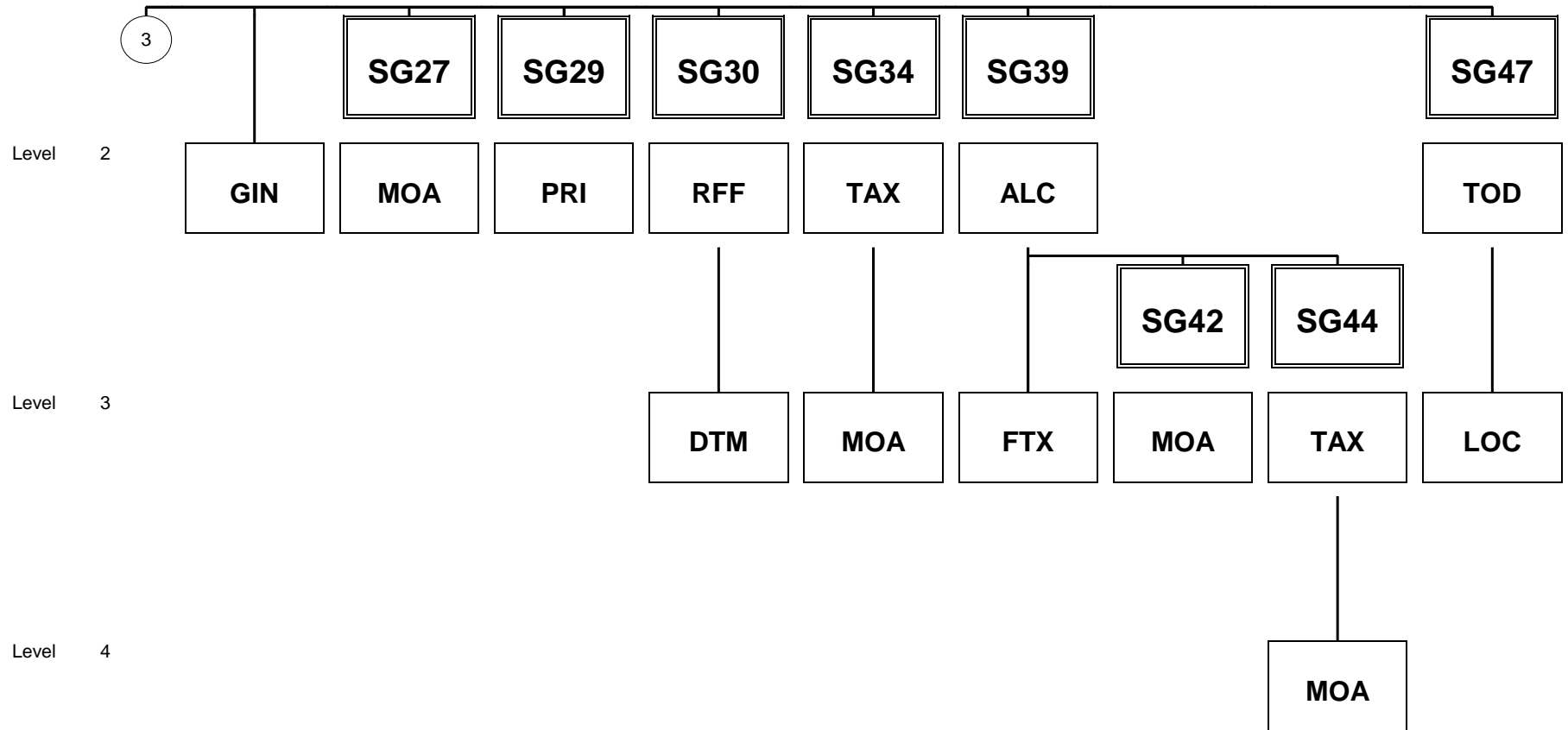
St = Status
 EDIFACT: M=Mandatory, C=Conditional
 User specific: R=Required, O=Optional, D=Dependent,
 A=Advised, N=Not used

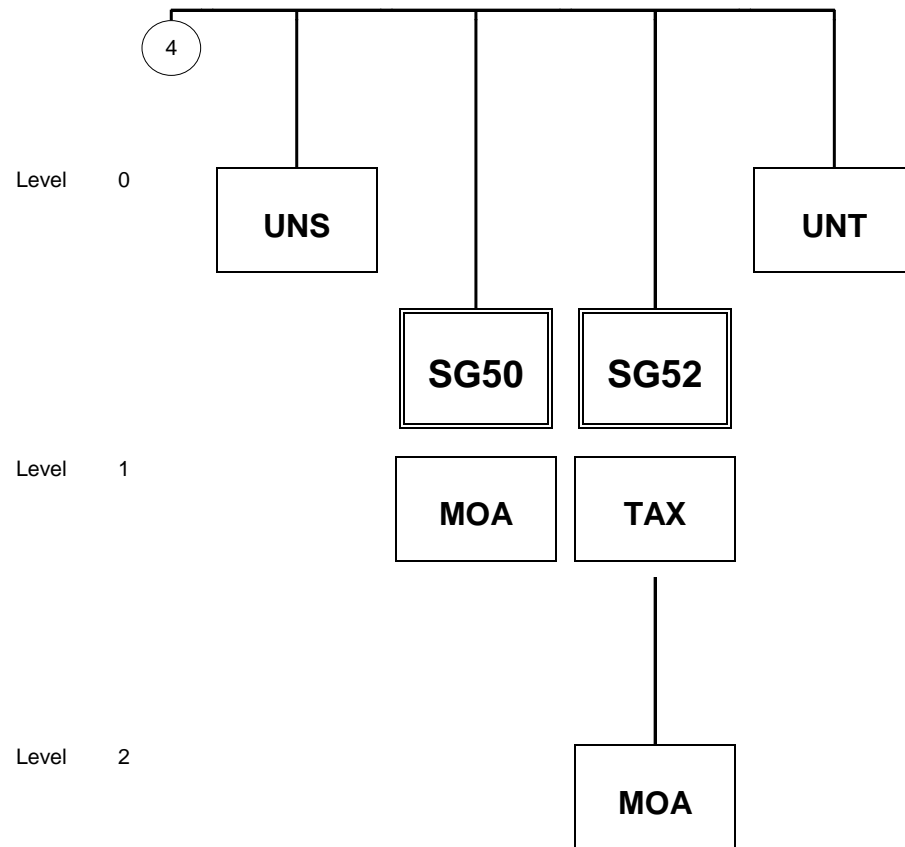
Branching Diagram of Used Segments/Groups











VOLVO GLOBAL INVOIC D07A (NAP)



Segment:

UNH

Seq. No.: 1 Level: 0
 Status: M Max. Occ.: 1
 Counter: 0010

Message header

Name: Message header

UN/EDIFACT			Implementation	
	Name	St Format	St Format	Use / Remarks
UNH				
0062	Message reference number	M an..14	M an..14	Message reference number - unique number to identify the message within the interchange, usually a consecutive number starting with 1.
S009	Message identifier	M	M	
0065	Message type	M an..6	M an..6	INVOIC Invoice message
0052	Message version number	M an..3	M an..3	D Draft version/UN/EDIFACT Directory
0054	Message release number	M an..3	M an..3	07A Release 2007 - A
0051	Controlling agency	M an..2	M an..2	UN UN/CEFACT
0057	Association assigned code	C an..6	R an..6	GBSK11 Volvo Group INVOIC D07A NAP (2014 version) Identification of the subset release, assigned by the responsible organisation (Odette resp. Joint Automotive Initiative Forum).

Remark:

Volvo Global Invoice Non Automotive Products.

This specification provides the content of the message to be used in electronic data interchange between trading partners.

An invoice is a message claiming payment for goods or services supplied under conditions agreed between the seller and the buyer.

- A seller may invoice for one or more transactions
- An invoice may refer to goods, item related to one order, delivery instructions, etc.

Example:

UNH+1+INVOIC:D:07A:UN:GBSK11'

Segment:

BGMSeq. No.: 2 Level: 0
Status: M Max. Occ.: 1
Counter: 0020

Beginning of message

Name: Beginning of message

UN/EDIFACT			Implementation	
	Name	St Format	St Format	Use / Remarks
BGM				
C002	Document/message name	C	R	
1001	Document name code	C an..3	R an..3	Code specifying the type or subtype of the business document. The following explanations are intended to support a unique usage of the different message types: 380 Commercial invoice 381 Credit note 389 Self-billed invoice
1131	Code list identification code	C an..17	N	not used
3055	Code list responsible agency code	C an..3	N	not used
1000	Document name	C an..35	N	not used
C106	Document/message identification	C	R	
1004	Document identifier	C an..35	R an..16	Document number

Remark:

Use BGM.1001 code 381 & 389 only after agreement between concerned parties.

Example:

BGM+380+123456 '

VOLVO GLOBAL INVOIC D07A (NAP)



Segment:

DTM

Seq. No.: 3 Level: 1
 Status: M Max. Occ.: 1
 Counter: 0030

Date/time/period

Name: Message date

UN/EDIFACT			Implementation	
	Name	St Format	St Format	Use / Remarks
DTM				
C507	Date/time/period	M	M	
2005	Date or time or period function code qualifier	M an..3	M an..3	The message date/invoice date. 137 Document issue date time
2380	Date or time or period text	C an..35	R n..12	Date, on which a document or business signal was issued. Required in the EU Invoice directive.
2379	Date or time or period format code	C an..3	R an..3	102 CCYYMMDD 203 CCYYMMDDHHMM

Remark:

Example:

DTM+137:20141230:102'

Segment:

DTM

Seq. No.: 4 Level: 1
 Status: D Max. Occ.: 1
 Counter: 0030

Date/time/period

Name: Tax point date or period

UN/EDIFACT			Implementation	
	Name	St Format	St Format	Use / Remarks
DTM				
C507	Date/time/period	M	M	
2005	Date or time or period function code qualifier	M an..3	M an..3	131 Tax point date time
2380	Date or time or period text	C an..35	R n..17	Tax Point Date or Period. Date relevant for taxation purposes. May differ from the document issue date.
2379	Date or time or period format code	C an..3	R an..3	102 CCYYMMDD 203 CCYYMMDDHHMM 711 CCYYMMDD-CCYYMMDD

Remark:

If the message/invoice date (DTM+137) is also synonymous with the Tax Point date; the tax point date does not have to be declared separately - only where the invoice date and the tax point dates are different, does the latter have to be explicitly declared.

Example:

DTM+131:20141230:102'

Segment:

DTM

Seq. No.: 5 Level: 1
 Status: D Max. Occ.: 1
 Counter: 0030

Date/time/period

Name: **Horizon start date**

UN/EDIFACT			Implementation	
	Name	St Format	St Format	Use / Remarks
DTM				
C507	Date/time/period	M	M	
2005	Date or time or period function code qualifier	M an..3	M an..3	158 Horizon start date
2380	Date or time or period text	C an..35	R n..12	Start date of a given period
2379	Date or time or period format code	C an..3	R an..3	102 CCYYMMDD 203 CCYYMMDDHHMM

Remark:

This segment is only to be used in the Self-billed invoice process (i.e. if BGM.1001=389).

Example:

DTM+158:20141201:102'

Segment:

DTM

Seq. No.: 6 Level: 1
 Status: D Max. Occ.: 1
 Counter: 0030

Date/time/period

Name: **Horizon end date**

UN/EDIFACT			Implementation	
	Name	St Format	St Format	Use / Remarks
DTM				
C507	Date/time/period	M	M	
2005	Date or time or period function code qualifier	M an..3	M an..3	159 Horizon end date
2380	Date or time or period text	C an..35	R n..12	End date of a given period
2379	Date or time or period format code	C an..3	R an..3	102 CCYYMMDD 203 CCYYMMDDHHMM

Remark:

This segment is only to be used in the Self-billed invoice process (i.e. if BGM.1001=389).

Example:

DTM+159:20141231:102'

Segment:

FTX

Seq. No.: 7 Level: 1
 Status: D Max. Occ.: 3
 Counter: 0070

Free text

Name: Legal info free text

UN/EDIFACT			Implementation	
	Name	St Format	St Format	Use / Remarks
FTX				
4451	Text subject code qualifier	M an..3	M an..3	Free Text Qualifier ABL Government information REG Regulatory information TXD Tax declaration
4453	Free text function code	C an..3	N	not used
C107	Text reference	C	N	not used
4441	Free text description code	M an..17	N	not used
C108	Text literal	C	R	
4440	Free text	M an..512	M an..256	A line of plain, non-structured text information.
4440	Free text	C an..512	D an..256	see 4440 #1
4440	Free text	C an..512	D an..256	see 4440 #1
4440	Free text	C an..512	N	not used
4440	Free text	C an..512	N	not used
3453	Language name code	C an..3	R a..3	Code specifying the language name. Use ISO 639-1988.

Remark:

Free text containing information or statements as required by legal environment.

Example:

FTX+ABL+++LEGAL INFO TEXT+EN'

Segment:

FTX

Seq. No.: 8 Level: 1
 Status: D Max. Occ.: 1
 Counter: 0070

Free text

Name: Payment instructions free text

UN/EDIFACT			Implementation	
	Name	St Format	St Format	Use / Remarks
FTX				
4451	Text subject code qualifier	M an..3	M an..3	Free Text Qualifier AAB Payment term
4453	Free text function code	C an..3	N	not used
C107	Text reference	C	N	not used
4441	Free text description code	M an..17	N	not used
C108	Text literal	C	R	
4440	Free text	M an..512	M an..256	A line of plain, non-structured text information. Text/Description in English only.
4440	Free text	C an..512	N	not used
4440	Free text	C an..512	N	not used
4440	Free text	C an..512	N	not used
4440	Free text	C an..512	N	not used
3453	Language name code	C an..3	R a..3	Code specifying the language name. Use ISO 639-1988.

Remark:

This segment is only to be used in the Self-billed invoice process (i.e. if BGM.1001=389).

Example:

FTX+AAB+++PAYMENT TEXT+EN'

Segment:

GEI

Seq. No.: 9 Level: 1
 Status: R Max. Occ.: 1
 Counter: 0090

Processing information

Name: Processing indicator

UN/EDIFACT			Implementation	
	Name	St Format	St Format	Use / Remarks
GEI 9649	Processing information code qualifier	M an..3	M an..3	Used to categorize the invoicing domain (other materials or services). OM Other Material S Service Codes have been defined by GIP in JAI013 code list - to be used with code 272 in GEI.3055.
C012	Processing indicator	C	O	
7365	Processing indicator description code	C an..3	N	not used
1131	Code list identification code	C an..17	N	not used
3055	Code list responsible agency code	C an..3	R an..3	272 Joint Automotive Industry agency

Remark:

This segment shall be used to distinguish between non-production items or service invoices. If invoice contains other material and service the whole invoice should be classified as according to the part which 50 percent of the invoice amount excluding tax.

OM = Other Material (also called NAP = Non Automotive Products)

S = Service

Example:

GEI+OM+ : : 272 '

GEI+S+ : : 272 '

Group: **SG1** Status: D Max. Occ.: 1 Other Reference

Segment: **RFF** Seq. No.: 10 Level: 1 **Reference**
 Status: M Max. Occ.: 1
 Counter: 0130

Name: Application reference number

UN/EDIFACT			Implementation	
	Name	St Format	St Format	Use / Remarks
RFF				
C506	Reference	M	M	
1153	Reference code qualifier	M an..3	M an..3	AGK Application reference number
1154	Reference identifier	C an..70	R an..70	Unique identifier of a document (Document number or Reference number). Application reference number provides a logical bracket embracing several invoice messages.

Remark:

This segment is only to be used in the Self-billed invoice process (i.e. if BGM.1001=389).

Example:

RFF+AGK:123'

Group: **SG1** Status: D Max. Occ.: 1 Other Reference

Segment: **RFF** Seq. No.: 11 Level: 1 **Reference**
 Status: M Max. Occ.: 1
 Counter: 0130

Name: Invoice document identifier

UN/EDIFACT			Implementation	
	Name	St Format	St Format	Use / Remarks
RFF				
C506	Reference	M	M	
1153	Reference code qualifier	M an..3	M an..3	IV Invoice document identifier
1154	Reference identifier	C an..70	R an..16	Reference to previous invoice.

Remark:

Qualifier IV should be used if BGM.1001 = 381.
 Use this segment to reference the previous invoice that shall be credited.

Example:

RFF+IV:123ABC'

Group: **SG2** Status: R Max. Occ.: 1 Buyer

Segment: **NAD** Seq. No.: 12 Level: 1 **Name and address**
 Status: M Max. Occ.: 1
 Counter: 0230

Name: **Buyer's Name and Address**

UN/EDIFACT		Implementation		
	Name	St Format	St Format	Use / Remarks
NAD				
3035	Party function code qualifier	M an..3	M an..3	BY Buyer
C082	Party identification details	C	R	
3039	Party identifier	M an..35	M an..35	Buyer ID
1131	Code list identification code	C an..17	N	not used
3055	Code list responsible agency code	C an..3	R an..3	92 Assigned by buyer or buyer's agent
C058	Name and address	C	N	not used
3124	Name and address description	M an..35	N	not used
C080	Party name	C	R	
3036	Party name	M an..35	M an..35	Single text line for specification of a name.
3036	Party name	C an..35	O an..35	c/o address (when applicable)
C059	Street	C	D	
3042	Street and number or post office box identifier	M an..35	M an..35	The name that identifies the location of a house or building; usually within a street as part of an address.
3042	Street and number or post office box identifier	C an..35	O an..35	see 3042 # 1
3164	City name	C an..35	R an..35	The name of the city, town, or village of this address.
C819	Country subdivision details	C	O	
3229	Country subdivision identifier	C an..9	O an..9	State or region within a country. The use of UN LoCodes is recommended.
3251	Postal identification code	C an..17	R an..17	Postal code/Zip code
3207	Country identifier	C an..3	R a..2	Provides the country part of an address using a code. Use ISO3166 two alpha code.

Remark:

Party to whom product, merchandise and/or service is sold.

Example:

NAD+BY+1002::92++VOLVO PARTS CORPORATION++GOTEBORG++405 08+SE '

Group: **SG2** Status: R Max. Occ.: 1 Buyer

Group: **SG3** Status: D Max. Occ.: 5 Buyer's reference number(s)

To be used when legally required and/or in agreement between concerned parties.

Segment: **RFF** Seq. No.: 13 Level: 2 **Reference**
 Status: M Max. Occ.: 1
 Counter: 0280

Name: **Buyer's reference number(s)**

UN/EDIFACT			Implementation	
	Name	St Format	St Format	Use / Remarks
RFF				
C506	Reference	M	M	
1153	Reference code qualifier	M an..3	M an..3	AHP Tax registration number FC Fiscal number VA VAT registration number XA Company/place registration number
1154	Reference identifier	C an..70	R an..17	AHP: The registration number by which a company/organization is identified with the tax administration. FC: Tax payer's number. Number assigned to individual persons as well as to corporates by a public institution; this number is different from the VAT registration number. VA: Unique number assigned by the relevant tax authority to identify a party for use in relation to Value Added Tax (VAT). XA: Company and Place as legally required.

Remark:

VAT registration number (VA in RFF.1153) is required in the EU invoice directive.

Example:

RFF+VA:SE556365974601'

Group: **SG2** Status: R Max. Occ.: 1 Buyer

Group: **SG5** Status: D Max. Occ.: 1 Buyer's information contact
 To be used when a workflow reference has been stated by Volvo.

Segment: **CTA** Seq. No.: 14 Level: 2 **Contact information**
 Status: M Max. Occ.: 1
 Counter: 0340

Name: **Contact information**

UN/EDIFACT			Implementation	
	Name	St Format	St Format	Use / Remarks
CTA				
3139	Contact function code	C an..3	R an..3	IC Information contact Used for workflow.
C056	Contact details	C	R	
3413	Contact identifier	C an..17	R an..17	Identifies the department or employee by a unique identifier (in this case the Workflow reference).
3412	Contact name	C an..256	N	not used

Remark:

Information that identifies the contact person or department together with information about how they can be contacted.

Example:

CTA+IC+V012345 '

Group: **SG2** Status: R Max. Occ.: 1 Buyer
Group: **SG5** Status: R Max. Occ.: 1 Buyer's purchase contact
Segment: **CTA** Seq. No.: 15 Level: 2 **Contact information**
 Status: M Max. Occ.: 1
 Counter: 0340

Name: Contact information

UN/EDIFACT			Implementation	
	Name	St Format	St Format	Use / Remarks
CTA				
3139	Contact function code	C an..3	R an..3	PD Purchasing contact
C056	Contact details	C	R	
3413	Contact identifier	C an..17	D an..17	Department number, use when available.
3412	Contact name	C an..256	R an..35	Employee name

Remark:

Information that identifies the contact person or department on purchase matters (at the buyer) and how they can be contacted.

Example:

CTA+PD+9642:NAME'

VOLVO GLOBAL INVOIC D07A (NAP)



Group: **SG2** Status: R Max. Occ.: 1 Buyer
Group: **SG5** Status: R Max. Occ.: 1 Buyer's purchase contact
Segment: **COM** Seq. No.: 16 Level: 3 **Communication contact**
 Status: O Max. Occ.: 2
 Counter: 0350

Name: Communication contact

UN/EDIFACT			Implementation	
	Name	St Format	St Format	Use / Remarks
COM				
C076	Communication contact	M	M	
3148	Communication address identifier	M an..512	M an..100	Buyer's contact communication Number/Address
3155	Communication means type code	M an..3	M an..3	EM Electronic mail TE Telephone

Remark:

Example:

COM+030-4356789:TE'

Group: **SG2** Status: D Max. Occ.: 1 Buyer as officially registered
To be used when legally required and/or in agreement between concerned parties.

Segment: **NAD** Seq. No.: 17 Level: 1 **Name and address**
Status: M Max. Occ.: 1
Counter: 0230

Name: Buyer as officially registered

UN/EDIFACT			Implementation	
	Name	St Format	St Format	Use / Remarks
NAD				
3035	Party function code qualifier	M an..3	M an..3	FG Buyer as officially registered
C082	Party identification details	C	N	not used
3039	Party identifier	M an..35	N	not used
C058	Name and address	C	R	
3124	Name and address description	M an..35	M an..35	A text line containing non-structured name and address information.
3124	Name and address description	C an..35	O an..35	see 3124 #1
3124	Name and address description	C an..35	O an..35	see 3124 #1
3124	Name and address description	C an..35	O an..35	see 3124 #1
3124	Name and address description	C an..35	O an..35	see 3124 #1

Remark:

Address information if required (and as registered) by legal environment.

Example:

NAD+FG++BUYER LTD.:SAMPLE STREET 12:55300 SAMPLE TOWN:SE'

Group: **SG2** Status: D Max. Occ.: 1 Invoicee

Segment: **NAD** Seq. No.: 18 Level: 1 Name and address
 Status: M Max. Occ.: 1
 Counter: 0230

Name: Invoicee

UN/EDIFACT			Implementation	
	Name	St Format	St Format	Use / Remarks
NAD				
3035	Party function code qualifier	M an..3	M an..3	IV Invoicee
C082	Party identification details	C	O	
3039	Party identifier	M an..35	M an..35	Invoice recipient ID
1131	Code list identification code	C an..17	N	not used
3055	Code list responsible agency code	C an..3	R an..3	92 Assigned by buyer or buyer's agent
C058	Name and address	C	N	not used
3124	Name and address description	M an..35	N	not used
C080	Party name	C	R	
3036	Party name	M an..35	M an..35	Single text line for specification of a name.
3036	Party name	C an..35	O an..35	c/o address (when applicable)
C059	Street	C	D	
3042	Street and number or post office box identifier	M an..35	M an..35	The name that identifies the location of a house or building; usually within a street as part of an address.
3042	Street and number or post office box identifier	C an..35	O an..35	see 3042 #1
3164	City name	C an..35	R an..35	The name of the city, town, or village of this address.
C819	Country subdivision details	C	O	
3229	Country subdivision identifier	C an..9	O an..9	State or region within a country. The use of UN LoCodes is recommended.
3251	Postal identification code	C an..17	R an..17	Postal code/Zip code
3207	Country identifier	C an..3	R a..2	Provides the country part of an address using a code. Use ISO3166 two alpha code.

Remark:

Party to whom the invoice is issued on behalf of the buyer. The buyer and the Invoicee are not the same legal entity.

This party should be used if the buyer is not paying the invoice and only in agreement with Volvo.

Example:

NAD+IV+1002::92++VOLVO PARTS CORPORATION:C/O VOLVO GROUP BUSINESS
 SERVICES++GOTEBORG++405 08+SE'

Group: **SG2** Status: D Max. Occ.: 1 Invoicee

Group: **SG3** Status: D Max. Occ.: 5 Invoicee's reference number(s)

To be used when legally required and/or in agreement between concerned parties.

Segment: **RFF** Seq. No.: 19 Level: 2 **Reference**
 Status: M Max. Occ.: 1
 Counter: 0280

Name: Invoicee's reference number(s)

UN/EDIFACT			Implementation	
	Name	St Format	St Format	Use / Remarks
RFF				
C506	Reference	M	M	
1153	Reference code qualifier	M an..3	M an..3	AHP Tax registration number FC Fiscal number VA VAT registration number XA Company/place registration number
1154	Reference identifier	C an..70	R an..17	AHP: The registration number by which a company/organization is identified with the tax administration. FC: Tax payer's number. Number assigned to individual persons as well as to corporates by a public institution; this number is different from the VAT registration number. VA: Unique number assigned by the relevant tax authority to identify a party for use in relation to Value Added Tax (VAT). XA: Company and Place as legally required.

Remark:

VAT registration number (VA in RFF.1153) is required in the EU invoice directive.

Example:

RFF+VA:SE556365974601'

Group: **SG2** Status: D Max. Occ.: 1 Ship-to
To be use when available.

Segment: **NAD** Seq. No.: 20 Level: 1 **Name and address**
Status: M Max. Occ.: 1
Counter: 0230

Name: Ship-to's Name and Address

UN/EDIFACT			Implementation	
	Name	St Format	St Format	Use / Remarks
NAD				
3035	Party function code qualifier	M an..3	M an..3	ST Ship to
C082	Party identification details	C	D	To be used when available.
3039	Party identifier	M an..35	M an..35	Ship-to ID
1131	Code list identification code	C an..17	N	not used
3055	Code list responsible agency code	C an..3	R an..3	92 Assigned by buyer or buyer's agent
C058	Name and address	C	N	not used
3124	Name and address description	M an..35	N	not used
C080	Party name	C	R	
3036	Party name	M an..35	M an..35	Single text line for specification of a name.
3036	Party name	C an..35	O an..35	c/o address (when applicable)
C059	Street	C	D	
3042	Street and number or post office box identifier	M an..35	M an..35	The name that identifies the location of a house or building; usually within a street as part of an address.
3042	Street and number or post office box identifier	C an..35	O an..35	see 3042 #1
3164	City name	C an..35	D an..35	The name of the city, town, or village of this address.
C819	Country subdivision details	C	O	
3229	Country subdivision identifier	C an..9	D an..9	State or region within a country. The use of UN LoCodes is recommended.
3251	Postal identification code	C an..17	D an..17	Postal code/Zip code
3207	Country identifier	C an..3	R a..2	Provides the country part of an address using a code. Use ISO3166 two alpha code.

Remark:

The party to which goods have been shipped (consigned).

Name and address information to be used in agreement between concerned parties.

Example:

NAD+ST+12345::92++SHIP-TO NAME+SHIP-TO STREET AND NUMBER+CITY+SE-O+10369+SE'

Group: **SG2** Status: D Max. Occ.: 1 Ship-to

Group: **SG3** Status: D Max. Occ.: 5 Ship-to's reference number(s)

To be used when legally required and/or in agreement between concerned parties.

Segment: **RFF** Seq. No.: 21 Level: 2 **Reference**
 Status: M Max. Occ.: 1
 Counter: 0280

Name: Ship-to's reference number(s)

UN/EDIFACT			Implementation	
	Name	St Format	St Format	Use / Remarks
RFF				
C506	Reference	M	M	
1153	Reference code qualifier	M an..3	M an..3	AHP Tax registration number FC Fiscal number VA VAT registration number XA Company/place registration number
1154	Reference identifier	C an..70	R an..17	AHP: The registration number by which a company/organization is identified with the tax administration. FC: Tax payer's number. Number assigned to individual persons as well as to corporates by a public institution; this number is different from the VAT registration number. VA: Unique number assigned by the relevant tax authority to identify a party for use in relation to Value Added Tax (VAT). Required in the EU invoice directive. XA: Company and Place as legally required.

Remark:

Example:

RFF+FC:HRB 99876'

Group: **SG2** Status: D Max. Occ.: 1 Buyer's Tax representative party

To be used when legally required and/or in agreement between concerned parties.

Segment: **NAD** Seq. No.: 22 Level: 1 **Name and address**
 Status: M Max. Occ.: 1
 Counter: 0230

Name: **Buyer's Tax representative**

UN/EDIFACT			Implementation	
	Name	St Format	St Format	Use / Remarks
NAD				
3035	Party function code qualifier	M an..3	M an..3	LD Party recovering the Value Added Tax (VAT)
C082	Party identification details	C	R	
3039	Party identifier	M an..35	M an..35	ID of Party recovering VAT
1131	Code list identification code	C an..17	N	not used
3055	Code list responsible agency code	C an..3	R an..3	92 Assigned by buyer or buyer's agent
C058	Name and address	C	N	not used
3124	Name and address description	M an..35	N	not used
C080	Party name	C	R	
3036	Party name	M an..35	M an..35	Single text line for specification of a name.
3036	Party name	C an..35	D an..35	c/o address (when applicable)
C059	Street	C	D	
3042	Street and number or post office box identifier	M an..35	M an..35	The name that identifies the location of a house or building; usually within a street as part of an address.
3042	Street and number or post office box identifier	C an..35	O an..35	see 3042 # 1
3164	City name	C an..35	R an..35	The name of the city, town, or village of this address.
C819	Country subdivision details	C	O	
3229	Country subdivision identifier	C an..9	O an..9	State or region within a country. The use of UN LoCodes is recommended.
3251	Postal identification code	C an..17	R an..17	Postal code/Zip code
3207	Country identifier	C an..3	R a..2	Provides the country part of an address using a code. Use ISO3166 two alpha code.

Remark:

Agent/representative recovering the Value Added Tax (VAT).

If the concerned buying Volvo unit use a VAT agent/representative, this segment should be used to state a care of address to that representative.

Example:

NAD+LD+205980::92++VOLVO GROUP BELGIUM NV+SMALLEHEERWEG 31+GENT-OSTAKKER++B-9041+BE'

Group: **SG2** Status: D Max. Occ.: 1 Buyer's Tax representative party

Group: **SG3** Status: D Max. Occ.: 1 VAT registration number

Segment: **RFF** Seq. No.: 23 Level: 2 **Reference**
 Status: M Max. Occ.: 1
 Counter: 0280

Name: VAT registration number

UN/EDIFACT			Implementation	
	Name	St Format	St Format	Use / Remarks
RFF				
C506	Reference	M	M	
1153	Reference code qualifier	M an..3	M an..3	VA VAT registration number
1154	Reference identifier	C an..70	R an..17	VA: Unique number assigned by the relevant tax authority to identify a party for use in relation to Value Added Tax (VAT).

Remark:

Required in the EU invoice directive when SG2.NAD.3035 = LD.

Example:

RFF+VA:BE0464866263 '

Group: **SG2** Status: R Max. Occ.: 1 Seller

Segment: **NAD** Seq. No.: 24 Level: 1 **Name and address**
 Status: M Max. Occ.: 1
 Counter: 0230

Name: **Seller's Name and Address**

UN/EDIFACT		Implementation		
	Name	St Format	St Format	Use / Remarks
NAD				
3035	Party function code qualifier	M an..3	M an..3	SE Seller
C082	Party identification details	C	R	
3039	Party identifier	M an..35	M an..35	Seller ID
1131	Code list identification code	C an..17	N	not used
3055	Code list responsible agency code	C an..3	R an..3	92 Assigned by buyer or buyer's agent
C058	Name and address	C	N	not used
3124	Name and address description	M an..35	N	not used
C080	Party name	C	R	
3036	Party name	M an..35	M an..35	Single text line for specification of a name.
3036	Party name	C an..35	O an..35	c/o adress (when applicable)
C059	Street	C	D	
3042	Street and number or post office box identifier	M an..35	M an..35	The name that identifies the location of a house or building; usually within a street as part of an address.
3042	Street and number or post office box identifier	C an..35	O an..35	see 3042 #1
3164	City name	C an..35	R an..35	The name of the city, town, or village of this address.
C819	Country subdivision details	C	O	
3229	Country subdivision identifier	C an..9	O an..9	State or region within a country. The use of UN LoCodes is recommended.
3251	Postal identification code	C an..17	R an..17	Postal code/Zip code
3207	Country identifier	C an..3	R a..2	Provides the country part of an address using a code. Use ISO3166 two alpha code.

Remark:

Seller: The party who has liability to fulfill the contract. It is normally used in the sense of supplier.

Example:

NAD+SE+123456::92++SELLER NAME+SELLER STREET AND NUMBER+SELLER CITY++22222+NO'

Group: **SG2** Status: R Max. Occ.: 1 Seller

Group: **SG3** Status: D Max. Occ.: 5 Seller's reference number(s)

To be used when legally required and/or in agreement between concerned parties.

Segment: **RFF** Seq. No.: 25 Level: 2 **Reference**
 Status: M Max. Occ.: 1
 Counter: 0280

Name: **Seller's reference number(s)**

UN/EDIFACT			Implementation	
	Name	St Format	St Format	Use / Remarks
RFF				
C506	Reference	M	M	
1153	Reference code qualifier	M an..3	M an..3	AHP Tax registration number FC Fiscal number VA VAT registration number XA Company/place registration number
1154	Reference identifier	C an..70	R an..17	AHP: The registration number by which a company/organization is identified with the tax administration. FC: Tax payer's number. Number assigned to individual persons as well as to corporates by a public institution; this number is different from the VAT registration number. VA: Unique number assigned by the relevant tax authority to identify a party for use in relation to Value Added Tax (VAT). XA: Company and Place as legally required.

Remark:

VAT registration number (VA in RFF.1153) is required in the EU invoice directive.

Example:

RFF+VA:NO811123456'

Group: **SG2** Status: R Max. Occ.: 1 Seller
Group: **SG5** Status: R Max. Occ.: 1 Seller's accounting contact
Segment: **CTA** Seq. No.: 26 Level: 2 **Contact information**
 Status: M Max. Occ.: 1
 Counter: 0340

Name: Seller's accounting contact

UN/EDIFACT			Implementation	
	Name	St Format	St Format	Use / Remarks
CTA				
3139	Contact function code	C an..3	R an..3	AD Accounting contact
C056	Contact details	C	R	
3413	Contact identifier	C an..17	D an..17	Identifies the department or employee by a unique identifier (other than their name) when given as a contact. Use when available.
3412	Contact name	C an..256	R an..35	Name of the contact person or department

Remark:

Information that identifies the contact person or department on accounting matters, together with information about how they can be contacted.

Example:

CTA+AD+ : ACCOUNTING DEPARTMENT '

Group: **SG2** Status: R Max. Occ.: 1 Seller
Group: **SG5** Status: R Max. Occ.: 1 Seller's accounting contact
Segment: **COM** Seq. No.: 27 Level: 3 **Communication contact**
 Status: R Max. Occ.: 2
 Counter: 0350

Name: Communication contact

UN/EDIFACT			Implementation	
	Name	St Format	St Format	Use / Remarks
COM				
C076	Communication contact	M	M	
3148	Communication address identifier	M an..512	M an..100	Seller's contact communication Number/Address
3155	Communication means type code	M an..3	M an..3	TE Telephone EM Electronic mail

Remark:

Example:

COM+089-77889966:TE'

Group: **SG2** Status: R Max. Occ.: 1 Seller
Group: **SG5** Status: O Max. Occ.: 1 Seller's sales contact
Segment: **CTA** Seq. No.: 28 Level: 2 **Contact information**
 Status: M Max. Occ.: 1
 Counter: 0340

Name: Seller's sales contact

UN/EDIFACT			Implementation	
	Name	St Format	St Format	Use / Remarks
CTA				
3139	Contact function code	C an..3	R an..3	SR Sales representative or department
C056	Contact details	C	R	
3413	Contact identifier	C an..17	D an..17	Department Number Identifies the department by a unique identifier (other than their name) when given as a contact. Use when available.
3412	Contact name	C an..256	R an..35	Employee or Department Name

Remark:

Information that identifies the contact person or department on sales matters (at the seller) and how they can be contacted.

Example:

CTA+SR+ : DEPARTMENT NAME '

Group: **SG2** Status: R Max. Occ.: 1 Seller
Group: **SG5** Status: O Max. Occ.: 1 Seller's sales contact
Segment: **COM** Seq. No.: 29 Level: 3 **Communication contact**
 Status: R Max. Occ.: 2
 Counter: 0350

Name: Communication contact

UN/EDIFACT			Implementation	
	Name	St Format	St Format	Use / Remarks
COM				
C076	Communication contact	M	M	
3148	Communication address identifier	M an..512	M an..100	Seller's contact communication Number/Address
3155	Communication means type code	M an..3	M an..3	TE Telephone EM Electronic mail

Remark:

Example:

COM+089-77889966:TE'

Group: **SG2** Status: D Max. Occ.: 1 Seller as officially registered
 To be used when legally required and/or in agreement between concerned parties.

Segment: **NAD** Seq. No.: 30 Level: 1 **Name and address**
 Status: M Max. Occ.: 1
 Counter: 0230

Name: Seller as officially registered

UN/EDIFACT			Implementation	
	Name	St Format	St Format	Use / Remarks
NAD				
3035	Party function code qualifier	M an..3	M an..3	FH Seller as officially registered
C082	Party identification details	C	N	not used
3039	Party identifier	M an..35	N	not used
C058	Name and address	C	R	
3124	Name and address description	M an..35	M an..35	A text line containing non-structured name and address information.
3124	Name and address description	C an..35	O an..35	see 3124 #1
3124	Name and address description	C an..35	O an..35	see 3124 #1
3124	Name and address description	C an..35	O an..35	see 3124 #1
3124	Name and address description	C an..35	O an..35	see 3124 #1

Remark:

Used when the goods and invoice are created from different countries and a legal agent is required in the country of the consignor.

Example:

NAD+FH++SELLER INC.:SAMPLE STREET 99:SAMPLE TOWN:DE-80559'

Group: **SG2** Status: D Max. Occ.: 1 Payee

To be used when legally required and/or in agreement between concerned parties.

Segment: **NAD** Seq. No.: 31 Level: 1 **Name and address**
 Status: M Max. Occ.: 1
 Counter: 0230

Name: **Payee's Name and Address**

UN/EDIFACT			Implementation	
	Name	St Format	St Format	Use / Remarks
NAD				
3035	Party function code qualifier	M an..3	M an..3	PE Payee
C082	Party identification details	C	O	
3039	Party identifier	M an..35	M an..35	Payee ID
1131	Code list identification code	C an..17	N	not used
3055	Code list responsible agency code	C an..3	R an..3	92 Assigned by buyer or buyer's agent
C058	Name and address	C	N	not used
3124	Name and address description	M an..35	N	not used
C080	Party name	C	R	
3036	Party name	M an..35	M an..35	Single text line for specification of a name.
3036	Party name	C an..35	O an..35	c/o address (when applicable)
C059	Street	C	D	
3042	Street and number or post office box identifier	M an..35	M an..35	The name that identifies the location of a house or building; usually within a street as part of an address.
3042	Street and number or post office box identifier	C an..35	O an..35	
3164	City name	C an..35	R an..35	The name of the city, town, or village of this address.
C819	Country subdivision details	C	O	
3229	Country subdivision identifier	C an..9	O an..9	State or region within a country. The use of UN LoCodes is recommended.
3251	Postal identification code	C an..17	R an..17	Postal code/Zip code
3207	Country identifier	C an..3	R a..2	Provides the country part of an address using a code. Use ISO3166 two alpha code.

Remark:

Party to whom a payment has to be made.

Required in the EU invoice directive: To be used even if the Payee is equal to Seller. If the seller is introducing a new party to receive payment; Volvo has to be notified separately in advance.

Example:

NAD+PE+123456::92++PAYEE NAME+PAYEE STREET AND NUMBER+PAYEE CITY++2222+DE '

Group: **SG2** Status: D Max. Occ.: 1 Payee

To be used when legally required and/or in agreement between concerned parties.

Segment: **FII** Seq. No.: 32 Level: 2 **Financial institution information**
 Status: R Max. Occ.: 1
 Counter: 0250

Name: **Pay-to's financial institution**

UN/EDIFACT			Implementation	
	Name	St Format	St Format	Use / Remarks
FII				
3035	Party function code qualifier	M an..3	M an..3	BF Beneficiary's bank
C078	Account holder identification	C	R	
3194	Account holder identifier	C an..35	R an..35	Payee's Financial Institution Account Number Account number at the financial institution where this account is held. For IBAN, a length of 34 bytes is necessary.
3192	Account holder name	C an..35	R an..35	Name of the official account holder, as registered with a financial institution.
C088	Institution identification	C	R	
3433	Institution name code	C an..11	N	not used
1131	Code list identification code	C an..17	N	not used
3055	Code list responsible agency code	C an..3	N	not used
3434	Institution branch identifier	C an..17	N	not used
1131	Code list identification code	C an..17	N	not used
3055	Code list responsible agency code	C an..3	N	not used
3432	Institution name	C an..70	R an..35	The name of the financial institution.

Remark:

Account details within financial institution.

If the supplier requires the payment to be made to a new account number; the purchaser at Volvo has to be notified in advance.

Example:

FII+BF+DE59600700700119067713:SUPPLIER CORP+:::::DEUTSCHE BANK AG'

Group: **SG2** Status: D Max. Occ.: 1 Payee

Group: **SG3** Status: D Max. Occ.: 5 Payee's reference number(s)

To be used when legally required and/or in agreement between concerned parties.

Segment: **RFF** Seq. No.: 33 Level: 2 **Reference**
 Status: M Max. Occ.: 1
 Counter: 0280

Name: Payee's reference number(s)

UN/EDIFACT			Implementation	
	Name	St Format	St Format	Use / Remarks
RFF				
C506	Reference	M	M	
1153	Reference code qualifier	M an..3	M an..3	AHP Tax registration number FC Fiscal number VA VAT registration number XA Company/place registration number
1154	Reference identifier	C an..70	R an..17	AHP: The registration number by which a company/organization is identified with the tax administration. FC: Tax payer's number. Number assigned to individual persons as well as to corporates by a public institution; this number is different from the VAT registration number. VA: Unique number assigned by the relevant tax authority to identify a party for use in relation to Value Added Tax (VAT). XA: Company and Place as legally required.

Remark:

VAT registration number (VA in RFF.1153)

Example:

RFF+VA:DE811123456 '

Group: **SG2** Status: D Max. Occ.: 1 Ship-from

Segment: **NAD** Seq. No.: 34 Level: 1 **Name and address**
 Status: M Max. Occ.: 1
 Counter: 0230

Name: **Ship-from's Name and Address**

UN/EDIFACT		Implementation		
	Name	St Format	St Format	Use / Remarks
NAD				
3035	Party function code qualifier	M an..3	M an..3	SF Ship from
C082	Party identification details	C	D	
3039	Party identifier	M an..35	M an..35	Ship-From ID
1131	Code list identification code	C an..17	N	not used
3055	Code list responsible agency code	C an..3	R an..3	92 Assigned by buyer or buyer's agent
C058	Name and address	C	N	not used
3124	Name and address description	M an..35	N	not used
C080	Party name	C	D	
3036	Party name	M an..35	M an..35	Single text line for specification of a name.
3036	Party name	C an..35	O an..35	c/o address (when applicable)
C059	Street	C	D	
3042	Street and number or post office box identifier	M an..35	M an..35	The name that identifies the location of a house or building; usually within a street as part of an address.
3042	Street and number or post office box identifier	C an..35	O an..35	see 3042 #1
3164	City name	C an..35	D an..35	The name of the city, town, or village of this address.
C819	Country subdivision details	C	O	
3229	Country subdivision identifier	C an..9	O an..9	State or region within a country. The use of UN LoCodes is recommended.
3251	Postal identification code	C an..17	D an..17	Postal code/Zip code
3207	Country identifier	C an..3	R a..2	Provides the country part of an address using a code. Use ISO3166 two alpha code.

Remark:

Use Ship-From in accordance with information in order or after agreement with Volvo.
 Name and address information to be used in agreement between concerned parties.

Example:

NAD+SF+22222::92++SHIP-FROM NAME+SHIP-FROM STREET AND NUMBER+CITY+SE-O+10369+DE'

Group: **SG2** Status: D Max. Occ.: 1 Ship-from

Group: **SG3** Status: D Max. Occ.: 5 Ship-from's reference number(s)

To be used when legally required and/or in agreement between concerned parties.

Segment: **RFF** Seq. No.: 35 Level: 2 **Reference**
 Status: M Max. Occ.: 1
 Counter: 0280

Name: Ship-from's reference number(s)

UN/EDIFACT			Implementation	
	Name	St Format	St Format	Use / Remarks
RFF				
C506	Reference	M	M	
1153	Reference code qualifier	M an..3	M an..3	AHP Tax registration number FC Fiscal number VA VAT registration number XA Company/place registration number
1154	Reference identifier	C an..70	R an..17	AHP: The registration number by which a company/organization is identified with the tax administration. FC: Tax payer's number. Number assigned to individual persons as well as to corporates by a public institution; this number is different from the VAT registration number. VA: Unique number assigned by the relevant tax authority to identify a party for use in relation to Value Added Tax (VAT). Required in the EU invoice directive. XA: Company and Place as legally required.

Remark:

Example:

RFF+FC:HRB 99876'

Group: **SG2** Status: D Max. Occ.: 1 Invoice issuer

Segment: **NAD** Seq. No.: 36 Level: 1 **Name and address**
 Status: M Max. Occ.: 1
 Counter: 0230

Name: Invoice issuer's Name and Address

UN/EDIFACT			Implementation	
	Name	St Format	St Format	Use / Remarks
NAD				
3035	Party function code qualifier	M an..3	M an..3	II Invoice issuer
C082	Party identification details	C	D	
3039	Party identifier	M an..35	M an..35	Invoice Issuer ID This ID must be assigned by the buyer and used in agreement between concerned parties.
1131	Code list identification code	C an..17	N	not used
3055	Code list responsible agency code	C an..3	R an..3	92 Assigned by buyer or buyer's agent
C058	Name and address	C	N	not used
3124	Name and address description	M an..35	N	not used
C080	Party name	C	R	
3036	Party name	M an..35	M an..35	Single text line for specification of a name.
3036	Party name	C an..35	O an..35	c/o address (when applicable)
C059	Street	C	D	
3042	Street and number or post office box identifier	M an..35	M an..35	The name that identifies the location of a house or building; usually within a street as part of an address.
3042	Street and number or post office box identifier	C an..35	O an..35	see 3042 #1
3164	City name	C an..35	R an..35	The name of the city, town, or village of this address.
C819	Country subdivision details	C	O	
3229	Country subdivision identifier	C an..9	O an..9	State or region within a country. The use of UN LoCodes is recommended.
3251	Postal identification code	C an..17	R an..17	Postal code/Zip code
3207	Country identifier	C an..3	R a..2	Provides the country part of an address using a code. Use ISO3166 two alpha code.

Remark:

To be used if Invoice issuer is not same legal entity as the Seller and only in agreement between concerned parties.

Example:

NAD+II+33333::92++INVOICE ISSUER NAME+INVOICE ISSUER STREET AND NUMBER+CITY++3333+BE'

Group: **SG2** Status: D Max. Occ.: 1 Invoice issuer

Group: **SG3** Status: D Max. Occ.: 5 Invoice issuer's reference number(s)

To be used when legally required and/or in agreement between concerned parties.

Segment: **RFF** Seq. No.: 37 Level: 2 **Reference**
 Status: M Max. Occ.: 1
 Counter: 0280

Name: Invoice issuer's reference number(s)

UN/EDIFACT			Implementation	
	Name	St Format	St Format	Use / Remarks
RFF				
C506	Reference	M	M	
1153	Reference code qualifier	M an..3	M an..3	AHP Tax registration number FC Fiscal number VA VAT registration number XA Company/place registration number
1154	Reference identifier	C an..70	R an..17	AHP: The registration number by which a company/organization is identified with the tax administration. FC: Tax payer's number. Number assigned to individual persons as well as to corporates by a public institution; this number is different from the VAT registration number. VA: Unique number assigned by the relevant tax authority to identify a party for use in relation to Value Added Tax (VAT). XA: Company and Place as legally required.

Remark:

Example:

RFF+VA:BE66778899 '

Group: **SG2** Status: D Max. Occ.: 1 Seller's Tax representative party
 To be used when legally required and/or in agreement between concerned parties.

Segment: **NAD** Seq. No.: 38 Level: 1 **Name and address**
 Status: M Max. Occ.: 1
 Counter: 0230

Name: Seller's Tax representative

UN/EDIFACT		Implementation		
	Name	St Format	St Format	Use / Remarks
NAD				
3035	Party function code qualifier	M an..3	M an..3	LC Party declaring the Value Added Tax (VAT)
C082	Party identification details	C	R	
3039	Party identifier	M an..35	M an..35	ID of Party declaring VAT
1131	Code list identification code	C an..17	N	not used
3055	Code list responsible agency code	C an..3	R an..3	92 Assigned by buyer or buyer's agent
C058	Name and address	C	N	not used
3124	Name and address description	M an..35	N	not used
C080	Party name	C	R	
3036	Party name	M an..35	M an..35	Single text line for specification of a name.
3036	Party name	C an..35	D an..35	c/o adress (when applicable)
C059	Street	C	D	
3042	Street and number or post office box identifier	M an..35	M an..35	The name that identifies the location of a house or building; usually within a street as part of an address.
3042	Street and number or post office box identifier	C an..35	O an..35	see 3042 # 1
3164	City name	C an..35	R an..35	The name of the city, town, or village of this address.
C819	Country subdivision details	C	O	
3229	Country subdivision identifier	C an..9	O an..9	State or region within a country. The use of UN LoCodes is recommended.
3251	Postal identification code	C an..17	R an..17	Postal code/Zip code
3207	Country identifier	C an..3	R a..2	Provides the country part of an address using a code. Use ISO3166 two alpha code.

Remark:

Agent/representative declaring the Value Added Tax (VAT).

A business partner who is not established in a EU-Member State, but makes taxable supplies of goods or services in that Member State, may appoint a VAT-registered tax representative, to maintain/preserve VAT records on his behalf and to make any required VAT declarations to the relevant tax authority.

If a company has a VAT registration with an appointed agent/representative in an EU member state, a care of address to the representative must be stated on the invoice.

Example:

NAD+LC+223456::92++SELLER NAME:C/O ABC INC.+SMALL LANE 35+NEWTOWN++WC2-5CD+GB'

Group: **SG2** Status: D Max. Occ.: 1 Seller's Tax representative party

Group: **SG3** Status: D Max. Occ.: 1 VAT registration number

Segment: **RFF** Seq. No.: 39 Level: 2 **Reference**
 Status: M Max. Occ.: 1
 Counter: 0280

Name: VAT registration number

UN/EDIFACT			Implementation	
	Name	St Format	St Format	Use / Remarks
RFF				
C506	Reference	M	M	
1153	Reference code qualifier	M an..3	M an..3	VA VAT registration number
1154	Reference identifier	C an..70	R an..17	VA: Unique number assigned by the relevant tax authority to identify a party for use in relation to Value Added Tax (VAT).

Remark:

Example:

RFF+VA:GB77766655 '

Group: **SG7** Status: R Max. Occ.: 1 Invoice and home currency

Segment: **CUX** Seq. No.: 40 Level: 1 **Currencies**
 Status: M Max. Occ.: 1
 Counter: 0410

Name: **Currencies**

UN/EDIFACT			Implementation	
	Name	St Format	St Format	Use / Remarks
CUX				
C504	Currency details	C	R	
6347	Currency usage code qualifier	M an..3	M an..3	2 Reference currency
6345	Currency identification code	C an..3	R an..3	Invoicing currency Code specifying a monetary unit. Use ISO 4217 three alpha code.
6343	Currency type code qualifier	C an..3	R an..3	4 Invoicing currency
C504	Currency details	C	D	Only to be used after agreement with Volvo. Target Currency specifies the currency that has to be used for accounting, taxation or calculation purposes if a monetary amount is given in a different currency. Use ISO 4217 three alpha code.
6347	Currency usage code qualifier	M an..3	M an..3	3 Target currency
6345	Currency identification code	C an..3	R an..3	Code specifying a monetary unit. Use ISO 4217 three alpha code.
6343	Currency type code qualifier	C an..3	R an..3	3 Home currency
5402	Currency exchange rate	C n..12	D n..12	The rate at which one specified currency is expressed in another specified currency. Currency Conversion Rate should be given with 5 decimals.

Remark:

Required in the EU Invoice directive.

Invoicing currency is always to be given in the first occurrence of the C504#1 as follows:
6347 '2', 6345 Currency, 6343 '4'

In some cases it is a requirement that, for invoicing in foreign currency, the invoice taxable and tax (e.g. VAT) amounts also must be expressed in home currency. Relating this to the CUX segments; authorities would require the invoicing currency and the home currency to be shown, together with the applied rate of exchange (element 5402).

If a different home currency is to be given, the second occurrence of C504 in the CUX segment is to be used as follows:
second 6347: '3', second 6345 contains the currency, and second 6343: '3'. Data element 5402 contains the currency conversion rate.

Example:

CUX+2:EUR:4+3:SEK:3+9.98700'

Group: **SG7** Status: R Max. Occ.: 1 Invoice and home currency

Segment: **DTM** Seq. No.: 41 Level: 2 **Date/time/period**
 Status: D Max. Occ.: 1
 Counter: 0420

Name: Exchange rate date

UN/EDIFACT		Implementation		
	Name	St Format	St Format	Use / Remarks
DTM				
C507	Date/time/period	M	M	
2005	Date or time or period function code qualifier	M an..3	M an..3	134 Rate of exchange date/time
2380	Date or time or period text	C an..35	R n..8	To specify the date, a given exchange rate between two currencies has been calculated (or has been published by other sources).
2379	Date or time or period format code	C an..3	R an..3	102 CCYYMMDD

Remark:

This segment has to be sent if SG7.CUX.C504 is used more than once (i.e. if invoicing and home currency is specified).

Example:

DTM+134:20041230:102'

Group: **SG8** Status: D Max. Occ.: 10 Payment instructions

SG8 is only to be used in the Self-billed invoice process (i.e. if BGM.1001=389).

Segment: **PYT** Seq. No.: 42 Level: 1 **Payment terms**
 Status: M Max. Occ.: 1
 Counter: 0440

Name: **Payment terms**

UN/EDIFACT			Implementation	
	Name	St Format	St Format	Use / Remarks
PYT				
4279	Payment terms type code qualifier	M an..3	M an..3	Conditions of payment between the parties to a transaction. 1 Basic
C019	Payment terms	C	N	not used
4277	Payment terms description identifier	C an..17	N	not used
2475	Event time reference code	C an..3	R an..3	Reference to the date of a specific event, e.g. issue date of a specified business document (for example invoice date). 5 Date of invoice
2009	Terms time relation code	C an..3	O an..3	Code relating terms to a reference date, time or period. Date (Relation): 1 Reference date 2 Before reference 3 After reference 4 End of 10-day period containing the reference date 5 End of 2-week period containing the reference date 6 End of month containing the reference date 8 End of quarter containing the reference date 9 End of year containing the reference date 12 End of half year containing the reference date
2151	Period type code	C an..3	O an..3	Code identifying a period Type of Period: 3M Quarter 6M Half-year D Day M Month P Four month period W Week Y Year
2152	Period count quantity	C n..3	O n..3	Actual number of periods (days, weeks etc.) belonging to a payment term.

Remark:

Example:

PYT+1++5+1+D+10'

Group: **SG8** Status: D Max. Occ.: 10 Payment instructions
 SG8 is only to be used in the Self-billed invoice process (i.e. if BGM.1001=389).

Segment: **DTM** Seq. No.: 43 Level: 2 **Date/time/period**
 Status: O Max. Occ.: 1
 Counter: 0450

Name: **Payment due date**

UN/EDIFACT		Implementation		
	Name	St Format	St Format	Use / Remarks
DTM				
C507	Date/time/period	M	M	
2005	Date or time or period function code qualifier	M an..3	M an..3	140 Payment due date
2380	Date or time or period text	C an..35	R n..8	Date when the payment is due in order to comply with the specified payment terms.
2379	Date or time or period format code	C an..3	R an..3	102 CCYYMMDD

Remark:
 This segment can be used in conjunction with any of the applicable qualifiers in SG8.PYT segment.

Example:
 DTM+140:20140110:102'

Group: **SG8** Status: D Max. Occ.: 10 Payment instructions
 SG8 is only to be used in the Self-billed invoice process (i.e. if BGM.1001=389).

Segment: **DTM** Seq. No.: 44 Level: 2 **Date/time/period**
 Status: O Max. Occ.: 1
 Counter: 0450

Name: Reference date/time

UN/EDIFACT			Implementation	
	Name	St Format	St Format	Use / Remarks
DTM				
C507	Date/time/period	M	M	
2005	Date or time or period function code qualifier	M an..3	M an..3	171 Reference date/time
2380	Date or time or period text	C an..35	R n..8	Date the referenced document was issued, usually the invoice issue date.
2379	Date or time or period format code	C an..3	R an..3	102 CCYYMMDD

Remark:
 The reference date is related to data element PYT.2009. If data element PYT.2009 is filled, this reference date has to be specified.

Example:
 DTM+171:20140131:102 '

Group: **SG9** Status: D Max. Occ.: 10 Transport details

To be used when legally required and/or in agreement between concerned parties.

Segment: **TDT** Seq. No.: 45 Level: 1 **Transport information**
 Status: M Max. Occ.: 1
 Counter: 0510

Name: Transport information

UN/EDIFACT			Implementation	
	Name	St Format	St Format	Use / Remarks
TDT 8051	Transport stage code qualifier	M an..3	M an..3	Code specifying the stage of a transport, e.g. in case of a multi-step route. 10 Pre-carriage transport 12 At departure 20 Main-carriage transport 25 Delivery carrier all transport 30 On-carriage transport
8028	Means of transport journey identifier	C an..17	O an..17	Unique reference to a certain journey or departure of a means of transport (generic term).
C220	Mode of transport	C	O	
8067	Transport mode name code	C an..3	R an..3	10 Maritime transport 20 Rail transport 30 Road transport 40 Air transport 50 Mail 60 Multimodal transport U Private Parcel Service
C001	Transport means	C	N	not used
8179	Transport means description code	C an..8	N	not used

Remark:

To specify the transport details such as mode of transport, means of transport, it's conveyance reference number and the identification of the means of transport.

Example:

TDT+12++10'

Group: **SG9** Status: D Max. Occ.: 10 Transport details

Group: **SG10** Status: D Max. Occ.: 10 LOC

To be used when legally required and/or in agreement between concerned parties.

Segment: **LOC** Seq. No.: 46 Level: 2 **Place/location identification**
 Status: M Max. Occ.: 1
 Counter: 0540

Name: **Place/location identification**

UN/EDIFACT			Implementation	
	Name	St Format	St Format	Use / Remarks
LOC				
3227	Location function code qualifier	M an..3	M an..3	5 Place of departure 60 Place of arrival
C517	Location identification	C	M	
3225	Location identifier	C an..35	R an..35	Place of departure or arrival ID. The use of UN/LOCODE (ISO 3166) or airport codes (IATA) is recommended.
1131	Code list identification code	C an..17	N	not used
3055	Code list responsible agency code	C an..3	R an..3	1 CCC (Customs Co-operation Council) 2 CEC (Commission of the European Communities) 3 IATA (International Air Transport Association) 4 ICC (International Chamber of Commerce) 5 ISO (International Organization for Standardization)
3224	Location name	C an..256	O an..256	Place of departure or arrival, free text.

Remark:

If required: Both LOC+5 and LOC+60 should be given.

Example:

LOC+5+LHR::3:LONDON HEATHROW'

LOC+60+GOT::3:LANDVETTER'

Group: **SG26** Status: R Max. Occ.: 9999999 Line item section

Segment: **LIN** Seq. No.: 47 Level: 1 **Line item**
 Status: M Max. Occ.: 1
 Counter: 1100

Name: Line item

UN/EDIFACT			Implementation	
	Name	St Format	St Format	Use / Remarks
LIN				
1082	Line item identifier	C an..6	R n..6	Sequential number generated by the sender to identify a line item within a message. It is recommended to start with value 1 and to increment by 1 for each new line.
1229	Action code	C an..3	N	not used
C212	Item number identification	C	D	Use when available
7140	Item identifier	C an..35	R an..35	Buyer's Article Number
7143	Item type identification code	C an..3	R an..3	IN Buyer's item number

Remark:

Example:

LIN+1++1234567890:IN'

Group: **SG26** Status: R Max. Occ.: 9999999 Line item section

Segment: **PIA** Seq. No.: 48 Level: 2 **Additional product id**
 Status: D Max. Occ.: 1
 Counter: 1110

Name: **Additional article identifier**

UN/EDIFACT			Implementation	
	Name	St Format	St Format	Use / Remarks
PIA				
4347	Product identifier code qualifier	M an..3	M an..3	1 Additional identification
C212	Item number identification	M	M	
7140	Item identifier	C an..35	R an..35	Seller's Article Number
7143	Item type identification code	C an..3	R an..3	SA Supplier's article number

Remark:

To be used according to agreement between concerned parties.

Example:

PIA+1+123456:SA'

Group: **SG26** Status: R Max. Occ.: 9999999 Line item section

Segment: **IMD** Seq. No.: 49 Level: 2 **Item description**
 Status: R Max. Occ.: 1
 Counter: 1130

Name: Description of article or service

UN/EDIFACT			Implementation	
	Name	St Format	St Format	Use / Remarks
IMD				
7077	Description format code	C an..3	N	not used
C272	Item characteristic	C	N	not used
7081	Item characteristic code	C an..3	N	not used
C273	Item description	C	R	
7009	Item description code	C an..17	N	not used
1131	Code list identification code	C an..17	N	not used
3055	Code list responsible agency code	C an..3	N	not used
7008	Item description	C an..256	R an..256	Plain language description of articles or products. Text/Description preferably in English.
7008	Item description	C an..256	D an..256	see 7008 #1
3453	Language name code	C an..3	R a..2	Code specifying the language name. Use ISO 639-1988.

Remark:

This segment should be used to fully identify a product or service by other information than a product code or article number.

Example:

IMD++++:::LEFT BRAKE MOUNT:::EN'

Group: **SG26** Status: R Max. Occ.: 9999999 Line item section

Segment: **QTY** Seq. No.: 50 Level: 2 **Quantity**
 Status: R Max. Occ.: 1
 Counter: 1150

Name: **Invoiced quantity**

UN/EDIFACT			Implementation	
	Name	St Format	St Format	Use / Remarks
QTY				
C186	Quantity details	M	M	
6063	Quantity type code qualifier	M an..3	M an..3	47 Invoiced quantity
6060	Quantity	M an..35	M n..10	Invoiced quantity. Maximum 3 decimals are allowed.
6411	Measurement unit code	C an..8	D an..3	Code specifying the unit of measurement. Use the Measurement unit code given in the Order. Use UN/ECE Recommendation 20, Common code.

Remark:

If a value in 6411 is not given; quantity is regarded as per pieces.

Example:

QTY+47:10:C62'

Group: **SG26** Status: R Max. Occ.: 9999999 Line item section

Segment: **QTY** Seq. No.: 51 Level: 2 **Quantity**
 Status: D Max. Occ.: 2
 Counter: 1150

Name: Other quantities

UN/EDIFACT			Implementation	
	Name	St Format	St Format	Use / Remarks
QTY				
C186	Quantity details	M	M	
6063	Quantity type code qualifier	M an..3	M an..3	12 Despatch quantity 48 Received quantity
6060	Quantity	M an..35	M n..10	Despatched quantity. The quantity received by the Ship-To party. Maximum 3 decimals are allowed.
6411	Measurement unit code	C an..8	D an..3	Code specifying the unit of measurement. Use the Measurement unit code given in the Order. Use UN/ECE Recommendation 20, Common code.

Remark:

This segment is only to be used in the Self-billed invoice process (i.e. if BGM.1001=389).
 If a value in 6411 is not given; quantity is regarded as per pieces.

Example:

QTY+12:10:C62'

Group: **SG26** Status: R Max. Occ.: 9999999 Line item section

Segment: **ALI** Seq. No.: 52 Level: 2 Additional information
 Status: D Max. Occ.: 1
 Counter: 1170

Name: Additional information

UN/EDIFACT			Implementation	
	Name	St Format	St Format	Use / Remarks
ALI 3239	Country of origin identifier	C an..3	R a..2	Country Of Origin code. Identification of the name of the country or other geographical entity as defined in ISO 3166-1 (two alpha country code).
9213	Duty regime type code	C an..3	N	not used
4183	Special condition code	C an..3	D an..2	An indication for Customs of the type of contract under which goods are supplied (code list ODDC013). 7 Subject to commission 35 Consigned to 70 Supply for sale 'on approval' or after trial 71 Exchange of goods compensated in kind 72 Sale for export by foreigner travelling in member state concerned 73 Samples 74 Temporary export, loan or hire 75 Temporary export, leasing 76 Temporary export, operation for job processing 77 Temporary export, repair and maintenance against payment 78 Temporary export, repair and maintenance free of charge 79 Reimport following job processing 80 Reimport following repair and maintenance against payment 81 Reimport following repair and maintenance free of charge 82 Supply of goods under joint production contract for defence purposes 83 Supply of goods under joint production contract for civil purposes 84 Supply of goods for warehousing for foreign account 85 Supply of goods as gifts by country of despatch and food aid under European Economic Community regulation 86 Supply of goods for disaster relief equipment 87 Supply of goods as transactions without compensation 88 Supply of goods as returned consignment on which payment has been made 89 Supply of goods as returned consignment on which no payment has been made 90 Supply of goods in standard exchange giving rise to payment 91 Supply of goods in standard exchange not giving rise to payment 92 Supply of goods/services in standard exchange under warranty

Remark:

To be used when legally required and according to agreement between concerned parties.
 Element 4183 should be used for government reporting of goods and services traded internationally under the North American Free Trade Agreement.

Example:

ALI+US++74'

Group: **SG26** Status: R Max. Occ.: 9999999 Line item section

Segment: **DTM** Seq. No.: 53 Level: 2 **Date/time/period**
 Status: D Max. Occ.: 1
 Counter: 1180

Name: **Goods receipt date**

UN/EDIFACT			Implementation	
	Name	St Format	St Format	Use / Remarks
DTM				
C507	Date/time/period	M	M	
2005	Date or time or period function code qualifier	M an..3	M an..3	50 Goods receipt date/time
2380	Date or time or period text	C an..35	R an..12	Date when the Ship-to party received a shipment.
2379	Date or time or period format code	C an..3	R an..3	102 CCYYMMDD 203 CCYYMMDDHHMM

Remark:

This segment is only to be used in the Self-billed invoice process (i.e. if BGM.1001=389).

Example:

DTM+50:20151214:102'

Group: **SG26** Status: R Max. Occ.: 9999999 Line item section

Segment: **GIN** Seq. No.: 54 Level: 2 **Goods identity number**
 Status: D Max. Occ.: 1000
 Counter: 1190

Name: **Goods identity number**

UN/EDIFACT			Implementation		
	Name	St Format	St Format	Use / Remarks	
GIN				BN	Serial number
7405	Object identification code qualifier	M an..3	M an..3	VV	Vehicle identity number
				EE	Engine number
C208	Identity number range	M	M		
7402	Object identifier	M an..35	M an..35	Unique number affixed by the manufacturer to individual pieces of products for identification purposes (such as VIN or Serial number).	
C208	Identity number range	C	D		
7402	Object identifier	M an..35	M an..35	see C208.7402 #1	
C208	Identity number range	C	D		
7402	Object identifier	M an..35	M an..35	see C208.7402 #1	
C208	Identity number range	C	D		
7402	Object identifier	M an..35	M an..35	see C208.7402 #1	
C208	Identity number range	C	D		
7402	Object identifier	M an..35	M an..35	see C208.7402 #1	

Remark:

To be used according to agreement between concerned parties.

Example:

GIN+BN+1234+2345+3456+4567+5678 '
 GIN+VV+1234+2345+3456+4567+5678 '

Group: **SG26** Status: R Max. Occ.: 9999999 Line item section
Group: **SG27** Status: R Max. Occ.: 1 Line item gross amount
Segment: **MOA** Seq. No.: 55 Level: 2 **Monetary amount**
 Status: M Max. Occ.: 1
 Counter: 1260

Name: Line item gross amount in invoice currency

UN/EDIFACT			Implementation	
	Name	St Format	St Format	Use / Remarks
MOA				
C516	Monetary amount	M	M	
5025	Monetary amount type code qualifier	M an..3	M an..3	38 Invoice item amount
5004	Monetary amount	C n..35	R n..15	Value of line item gross amount in currency units. Maximum 2 decimals.
6345	Currency identification code	C an..3	N	not used

Remark:

The line item amount is the total related to this line item (price * quantity).

Example:

MOA+38:1000'

Group: **SG26** Status: R Max. Occ.: 9999999 Line item section

Group: **SG29** Status: R Max. Occ.: 1 Calculation gross price

Segment: **PRI** Seq. No.: 56 Level: 2 **Price details**
 Status: M Max. Occ.: 1
 Counter: 1340

Name: Price details

UN/EDIFACT			Implementation	
	Name	St Format	St Format	Use / Remarks
PRI				
C509	Price information	C	R	
5125	Price code qualifier	M an..3	M an..3	AAB Calculation gross
5118	Price amount	C n..15	R n..15	Unit gross price amount in price currency units. Maximum 2 decimals.
5375	Price type code	C an..3	N	not used
5387	Price specification code	C an..3	N	not used
5284	Unit price basis quantity	C n..9	D n..9	Basis on which the unit price/rate applies. The values 1, 100 and 1000 are approved. Default value is 1.
6411	Measurement unit code	C an..8	D an..3	Code specifying the unit of measurement. Use the Measurement unit code given in the Order. Use UN/ECE Recommendation 20, Common code.

Remark:

Price without charges (ALC); this represents the gross price applicable to the line, but does not include any charges that may be applicable to the line and which are deductible from the gross price.

If a value in 6411 is not given; quantity is regarded as per pieces.

Example:

PRI+AAB:100'

Group: **SG26** Status: R Max. Occ.: 9999999 Line item section

Group: **SG30** Status: R Max. Occ.: 6 References to messages

Segment: **RFF** Seq. No.: 57 Level: 2 **Reference**
 Status: M Max. Occ.: 1
 Counter: 1400

Name: Reference message number

UN/EDIFACT			Implementation		
	Name	St Format	St Format	Use / Remarks	
RFF					
C506	Reference	M	M		
1153	Reference code qualifier	M an..3	M an..3	AAK CR ON OP	Despatch advice number Customer reference number Buyers order number Original purchase order
1154	Reference identifier	C an..70	R an..70	Unique identifier of a referenced despatch advice, blanket order, buyer's order, original purchase order or other customer reference.	
1156	Document line identifier	C an..6	D n..6	Use Order line number after agreement with Volvo.	

Remark:

Reference to order (qualifier ON in 1153) is always required.
 Use Despatch advice number (qualifier AAK) when available.
 Use qualifier CR & OP after agreement with Volvo.

Example:

RFF+AAK:333444'
 RFF+CR:1234567'
 RFF+ON:49501526070'
 RFF+OP:67890'

Group: **SG26** Status: R Max. Occ.: 9999999 Line item section

Group: **SG30** Status: R Max. Occ.: 6 References to messages

Segment: **DTM** Seq. No.: 58 Level: 3 **Date/time/period**
 Status: D Max. Occ.: 1
 Counter: 1410

Name: Reference message date

UN/EDIFACT			Implementation	
	Name	St Format	St Format	Use / Remarks
DTM				
C507	Date/time/period	M	M	
2005	Date or time or period function code qualifier	M an..3	M an..3	171 Reference date/time
2380	Date or time or period text	C an..35	R an..8	Reference date
2379	Date or time or period format code	C an..3	R an..3	102 CCYYMMDD

Remark:

Required for qualifier AAK in SG30.RFF.1153.

Example:

DTM+171:20041212:102'

Group: **SG26** Status: R Max. Occ.: 9999999 Line item section

Group: **SG34** Status: D Max. Occ.: 5 VAT or other tax rate and amount for line item

SG34 to be used when legally required and/or in agreement between concerned parties.

Segment: **TAX** Seq. No.: 59 Level: 2 Duty/tax/fee details
 Status: M Max. Occ.: 1
 Counter: 1560

Name: VAT or other tax rate line item

UN/EDIFACT			Implementation	
	Name	St Format	St Format	Use / Remarks
TAX				
5283	Duty or tax or fee function code qualifier	M an..3	M an..3	7 Tax Code qualifying the function of a duty or tax or fee.
C241	Duty/tax/fee type	C	R	
5153	Duty or tax or fee type name code	C an..3	R an..3	Code specifying a type of duty, tax or fee. AAG Harmonised sales tax, Canadian AAH Quebec sales tax AAI Canadian provincial sales tax BOL Stamp duty (Imposta di Bollo) GST Goods and services tax LOC Local sales tax OTH Other taxes STT State/provincial sales tax VAT Value added tax Code OTH shall be used when the tax in question is not VAT or another tax code.
C533	Duty/tax/fee account detail	C	N	not used
5289	Duty or tax or fee account code	M an..6	N	not used
5286	Duty or tax or fee assessment basis quantity	C an..15	N	not used
C243	Duty/tax/fee detail	C	R	
5279	Duty or tax or fee rate code	C an..7	N	not used
1131	Code list identification code	C an..17	N	not used
3055	Code list responsible agency code	C an..3	N	not used
5278	Duty or tax or fee rate	C an..17	R n..7	Rate (percentage) of the specified tax/duty. Maximum 3 decimals. The tax rate (numeric) should be presented as follows: 19.5% ==> 19.5 In case of VAT exemption use 0.0
5305	Duty or tax or fee category code	C an..3	R an..3	Code specifying a duty or tax or fee category. E Exempt from tax S Standard rate AAA Exempt - Article 146, 148 and 151 of Council Directive 2006/112/EC AAC Exempt - Article 138 of Council Directive 2006/112/EC AAD Exempt - Article 28c(B) AAE Exempt - Article 48, 49 and 50 of Council Directive 2006/112/EC AAF Exempt - Article 346 of Council Directive 2006/112/EC AAG Exempt - Article 131, 132 and 135 of Council Directive 2006/112/EC AAH Margin Scheme - Title XII, Chapter 4 of Council Directive 2006/112/EC AAI Margin Scheme - Title XII, Chapter 3 of Council Directive 2006/112/EC AAJ Reverse Charge - Article 198 of Council Directive 2006/112/EC

SG34 to be used when legally required and/or in agreement between concerned parties.

UN/EDIFACT			Implementation	
	Name	St Format	St Format	Use / Remarks
				AAL Reverse Charge Exempt - Articles 154 -164 of Council Directive 2006/112//EC AAM Exempt New Means of Transport - Article 2, 3 and 4 of Council Directive 2006/112//EC AAN Exempt Triangulation - Article 141 of Council Directive 2006/112//EC AAP VAT exempt/reverse charge, within the construction business, Article 199 1 a-b of Council Directive 2006/112//EC AAQ Reverse Charge – Article 194 of Council Directive 2006/112//EC Under 6th EU directive, any exemption from tax has to be declared in more detailed. There are several provisions in the directive, which allow exemption. In the European environment it is necessary to state this reason whenever the invoice issuer declares an invoice item or the whole invoice to be VAT exempt. For more Information use guidelines: Reference to Codelist VAT Category code (Tax Exemption Reason Codes list at Volvo IT's EDI homepage).
3446	Party tax identifier	C an..20	N	not used
1227	Calculation sequence code	C an..3	N	not used
5307	Tax or duty or fee payment due date code	C an..3	N	not used

Remark:

Required in the EU invoice directive.

When sending a message with data element C243.5278 in the TAX segment, the value added tax rate (numeric) should be presented in an alpha-numeric field as follows: 19,5% ==> 19.5. In case of VAT exemption use 0.0.

Example:

TAX+7+VAT++++:::16.0+S'

Group: **SG26** Status: R Max. Occ.: 9999999 Line item section

Group: **SG34** Status: D Max. Occ.: 5 VAT or other tax rate and amount for line item

SG34 to be used when legally required and/or in agreement between concerned parties.

Segment: **MOA** Seq. No.: 60 Level: 3 **Monetary amount**
 Status: R Max. Occ.: 1
 Counter: 1570

Name: VAT or other tax amount line item

UN/EDIFACT			Implementation	
	Name	St Format	St Format	Use / Remarks
MOA				
C516	Monetary amount	M	M	
5025	Monetary amount type code qualifier	M an..3	M an..3	124 Tax amount
5004	Monetary amount	C n..35	R n..15	Value of a tax amount in currency units. Maximum 2 decimals.
6345	Currency identification code	C an..3	N	not used

Remark:

Example:

MOA+124:160'

Group: **SG26** Status: R Max. Occ.: 9999999 Line item section

Group: **SG39** Status: D Max. Occ.: 10 Charges

Only to be used after special agreement.

Segment: **ALC** Seq. No.: 61 Level: 2 **Allowance or charge**
 Status: M Max. Occ.: 1
 Counter: 1730

Name: Charge

UN/EDIFACT			Implementation	
	Name	St Format	St Format	Use / Remarks
ALC				
5463	Allowance or charge code qualifier	M an..3	M an..3	C Charge
C552	Allowance/charge information	C	N	not used
1230	Allowance or charge identifier	C an..35	N	not used
4471	Settlement means code	C an..3	N	not used
1227	Calculation sequence code	C an..3	N	not used
C214	Special services identification	C	R	
7161	Special service description code	C an..3	R an..3	Code specifying a special service. Used after agreement with Vovo. ABG Tooling charge ABK Miscellaneous ABL Additional packaging ABO Air freight transportation ACC Miscellaneous setting costs (tooling) ACD Minimum amount costs for quantity based surcharges ACF Miscellaneous treatment ACJ Painting ACK Polishing ACN Miscellaneous other surcharges ACS Fitting ACU Standard surcharge ACX Ocean freight charge AED Handling of hazardous cargo AEV Environmental protection service DL Delivery FAC Freight extraordinary handling FC Freight service HD Handling IAA Installation LAA Labour NAA Non-returnable containers PC Packing RAD Returnable container SAD Special packaging SH Special handling TX Tax 314 Core surcharge 316 Rework surcharge (global) 332 Stock-up surcharge
1131	Code list identification code	C an..17	N	not used
3055	Code list responsible agency code	C an..3	O an..3	6 UN/ECE (United Nations - Economic Commission for Europe) 272 Joint Automotive Industry agency

Remark:

The financial amount by which the price is adjusted, dependent on the quantity of delivery or delivery terms specified.

Example:

ALC+C++++ACC: :272 '

Group: **SG26** Status: R Max. Occ.: 9999999 Line item section

Group: **SG39** Status: D Max. Occ.: 10 Charges

Only to be used after special agreement.

Segment: **FTX** Seq. No.: 62 Level: 3 **Free text**
 Status: D Max. Occ.: 1
 Counter: 1760

Name: Charge description

UN/EDIFACT			Implementation	
	Name	St Format	St Format	Use / Remarks
FTX				
4451	Text subject code qualifier	M an..3	M an..3	ALC Allowance/charge information
4453	Free text function code	C an..3	N	not used
C107	Text reference	C	D	
4441	Free text description code	M an..17	M an..17	To be used (if additional classification of the text in this FTX segment is needed) in agreement between concerned parties.
C108	Text literal	C	R	
4440	Free text	M an..512	M an..256	Charge description, free text. Text/Description in English only.
4440	Free text	C an..512	O an..256	see 4440 #1
4440	Free text	C an..512	O an..256	see 4440 #1
3453	Language name code	C an..3	R a..3	EN English Code specifying the language name. Use ISO 639-1988.

Remark:

Only to be used after agreement with Volvo and related to charges.

Example:

FTX+ALC+++ADD COST FOR ITEM 1234567890+EN'

Group: **SG26** Status: R Max. Occ.: 9999999 Line item section

Group: **SG39** Status: D Max. Occ.: 10 Charges

Group: **SG42** Status: R Max. Occ.: 1 Charge - monetary amount

SG42 (monetary amount in invoicing currency) has to be sent only together with segment ALC (in SG39).

Segment: **MOA** Seq. No.: 63 Level: 3 **Monetary amount**
 Status: M Max. Occ.: 1
 Counter: 1840

Name: Charge - monetary amount

UN/EDIFACT			Implementation	
	Name	St Format	St Format	Use / Remarks
MOA				
C516	Monetary amount	M	M	
5025	Monetary amount type code qualifier	M an..3	M an..3	8 Allowance or charge amount
5004	Monetary amount	C n..35	R n..15	Value of a monetary amount in currency units. Maximum 2 decimals.
6345	Currency identification code	C an..3	N	not used

Remark:

Example:

MOA+8:100'

Group: **SG26** Status: R Max. Occ.: 9999999 Line item section

Group: **SG39** Status: D Max. Occ.: 10 Charges

Group: **SG44** Status: D Max. Occ.: 5 Charge - applicable VAT rate and amount

SG44 to be used when legally required and/or in agreement between concerned parties.

Segment: **TAX** Seq. No.: 64 Level: 3 **Duty/tax/fee details**
 Status: M Max. Occ.: 1
 Counter: 1920

Name: Charge - applicable tax rate

UN/EDIFACT			Implementation		
	Name	St Format	St Format	Use / Remarks	
TAX					
5283	Duty or tax or fee function code qualifier	M an..3	M an..3	Code qualifying the function of a duty or tax or fee. 7 Tax	
C241	Duty/tax/fee type	C	R		
5153	Duty or tax or fee type name code	C an..3	R an..3	Code specifying a type of duty, tax or fee. AAG Harmonised sales tax, Canadian AAH Quebec sales tax AAI Canadian provincial sales tax BOL Stamp duty (Imposta di Bollo) GST Goods and services tax LOC Local sales tax OTH Other taxes STT State/provincial sales tax VAT Value added tax Code OTH shall be used when the tax in question is not VAT or another tax code.	
C533	Duty/tax/fee account detail	C	N	not used	
5289	Duty or tax or fee account code	M an..6	N	not used	
5286	Duty or tax or fee assessment basis quantity	C an..15	N	not used	
C243	Duty/tax/fee detail	C	R		
5279	Duty or tax or fee rate code	C an..7	N	not used	
1131	Code list identification code	C an..17	N	not used	
3055	Code list responsible agency code	C an..3	N	not used	
5278	Duty or tax or fee rate	C an..17	R n..7	Rate (percentage) of the specified tax. Maximum 3 decimals. The tax rate (numeric) should be presented as follows: 19.5% ==> 19.5 In case of VAT exemption use 0.0	
5273	Duty or tax or fee rate basis code	C an..12	N	not used	
1131	Code list identification code	C an..17	N	not used	
3055	Code list responsible agency code	C an..3	N	not used	
5305	Duty or tax or fee category code	C an..3	R an..3	Code specifying a duty or tax or fee category. E Exempt from tax S Standard rate AAA Exempt - Article 146, 148 and 151 of Council Directive 2006/112//EC AAC Exempt - Article 138 of Council Directive 2006/112//EC AAD Exempt - Article 28c(B) AAE Exempt - Article 48, 49 and 50 of Council Directive 2006/112//EC AAF Exempt - Article 346 of Council Directive 2006/112//EC	

SG44 to be used when legally required and/or in agreement between concerned parties.

UN/EDIFACT			Implementation	
	Name	St Format	St Format	Use / Remarks
				AAG Exempt - Article 131, 132 and 135 of Council Directive 2006/112//EC AAH Margin Scheme - Title XII, Chapter 4 of Council Directive 2006/112//EC AAI Margin Scheme - Title XII, Chapter 3 of Council Directive 2006/112//EC AAJ Reverse Charge - Article 198 of Council Directive 2006/112//EC AAL Reverse Charge Exempt - Articles 154 -164 of Council Directive 2006/112//EC AAM Exempt New Means of Transport - Article 2, 3 and 4 of Council Directive 2006/112//EC AAN Exempt Triangulation - Article 141 of Council Directive 2006/112//EC AAP VAT exempt/reverse charge, within the construction business, Article 199 1 a-b of Council Directive 2006/112//EC AAQ Reverse Charge – Article 194 of Council Directive 2006/112//EC Under 6th EU directive, any exemption from tax has to be declared in more detailed. There are several provisions in the directive, which allow exemption. In the European environment it is necessary to state this reason whenever the invoice issuer declares an invoice item or the whole invoice to be VAT exempt. For more Information use guidelines: Reference to Codelist VAT Category code (Tax Exemption Reason Codes list at Volvo IT's EDI homepage).
3446	Party tax identifier	C an..20	N	not used
1227	Calculation sequence code	C an..3	N	not used
5307	Tax or duty or fee payment due date code	C an..3	N	not used

Remark:

Required in the EU invoice directive.

When sending a message with data element 5278 in the TAX segment, the value added tax rate (numeric) should be presented in an alpha-numeric field as follows: 19,5% ==> 19.5. In case of VAT exemption use 0.0.

Example:

TAX+7+VAT+++:::16.0+S'

Group: **SG26** Status: R Max. Occ.: 9999999 Line item section

Group: **SG39** Status: D Max. Occ.: 10 Charges

Group: **SG44** Status: D Max. Occ.: 5 Charge - applicable VAT rate and amount

SG44 to be used when legally required and/or in agreement between concerned parties.

Segment: **MOA** Seq. No.: 65 Level: 4 **Monetary amount**
 Status: R Max. Occ.: 1
 Counter: 1930

Name: Charge - applicable VAT amount

UN/EDIFACT			Implementation	
	Name	St Format	St Format	Use / Remarks
MOA				
C516	Monetary amount	M	M	
5025	Monetary amount type code qualifier	M an..3	M an..3	124 Tax amount
5004	Monetary amount	C n..35	R n..15	Value of a tax amount in currency units. Maximum 2 decimals.
6345	Currency identification code	C an..3	N	not used

Remark:

Example:

MOA+124:16'

Group: **SG26** Status: R Max. Occ.: 9999999 Line item section

Group: **SG47** Status: D Max. Occ.: 1 Terms of delivery

To be used when legally required and/or in agreement between concerned parties.

Segment: **TOD** Seq. No.: 66 Level: 2 **Terms of delivery or transport**
 Status: M Max. Occ.: 1
 Counter: 2000

Name: **Terms of delivery - incoterms**

UN/EDIFACT			Implementation	
	Name	St Format	St Format	Use / Remarks
TOD				
4055	Delivery or transport terms function code	C an..3	N	not used
4215	Transport charges payment method code	C an..3	N	not used
C100	Terms of delivery or transport	C	R	
4053	Delivery or transport terms description code	C an..3	R a..3	Code specifying the delivery or transport terms. CFR Cost and Freight (... named port of destination) CIF Cost, Insurance, Freight (... named port of destination) CIP Carriage and Insurance Paid to (... named place of destination) CPT Carriage Paid To (... named place of destination) DAP Delivery at Place (... named place of destination) DAT Delivery at Terminal (... named port or place of destination) DDP Delivered Duty Paid (... named place of destination) EXW Ex Works (... named place) FAS Free Along Ship (... named port of shipment) FCA Free Carrier (... named place) FOB Free On Board (... named port of shipment)
1131	Code list identification code	C an..17	N	not used
3055	Code list responsible agency code	C an..3	O an..3	Agency responsible for code list / identifier maintenance 4 ICC (International Chamber of Commerce)

Remark:

The delivery terms valid for the concerned despatch or consignment.

Example:

TOD+++EXW: : 4 '

Group: **SG26** Status: R Max. Occ.: 9999999 Line item section

Group: **SG47** Status: D Max. Occ.: 1 Terms of delivery

To be used when legally required and/or in agreement between concerned parties.

Segment: **LOC** Seq. No.: 67 Level: 3 **Place/location identification**
 Status: R Max. Occ.: 1
 Counter: 2010

Name: **Place/location identification**

UN/EDIFACT			Implementation	
	Name	St Format	St Format	Use / Remarks
LOC				
3227	Location function code qualifier	M an..3	M an..3	1 Place of terms of delivery
C517	Location identification	C	R	
3225	Location identifier	C an..35	D a5	Identifier/code specifying the name the INCOTERMS location. Either location code or name has to be transmitted.
1131	Code list identification code	C an..17	N	not used
3055	Code list responsible agency code	C an..3	D an..3	Agency responsible for code list/identifier maintenance 3 IATA (International Air Transport Association) Code list identifier should always be given if a code in data element C517.3225 is sent.
3224	Location name	C an..256	R an..35	Full name of the INCOTERMS place/country

Remark:

Identification of the point/port of departure, shipment or destination as required under the applicable incoterms.

Example:

LOC+1+:::FLEN, SWEDEN'

Segment:

UNS

Seq. No.: 68 Level: 0
 Status: M Max. Occ.: 1
 Counter: 2180

Section control

Name: Section control

UN/EDIFACT			Implementation	
	Name	St Format	St Format	Use / Remarks
UNS 0081	Section identification	M a1	M a1	S Detail/summary section separation

Remark:

Example:

UNS+S'

Group: **SG50** Status: M Max. Occ.: 1 Total invoice amount in invoicing currency

Segment: **MOA** Seq. No.: 69 Level: 1 **Monetary amount**
 Status: M Max. Occ.: 1
 Counter: 2210

Name: Invoice amount in invoicing currency

UN/EDIFACT		Implementation		
	Name	St Format	St Format	Use / Remarks
MOA				
C516	Monetary amount	M	M	
5025	Monetary amount type code qualifier	M an..3	M an..3	77 Invoice line item amount Although the EDIFACT codelist provides another code for the sum of several invoice documents (e.g. in a summarised message like an invoice trailer) for the sake of keeping the message as simple as possible the code 77 shall be used also in those messages.
5004	Monetary amount	C n..35	R n..15	Invoice total amount, including taxes (if applicable). Maximum 2 decimals.
6345	Currency identification code	C an..3	N	not used
6343	Currency type code qualifier	C an..3	R an..3	Amount Currency Qualifier 4 Invoicing currency

Remark:

Total sum charged in respect of a single invoice in accordance with the terms of Payment.
 Invoice amount (77) is the sum of:
 -Total line item amounts (Qualifier 79)
 -Total invoice additional amount (136)
 -Total duty/tax/fee amount (176)
 plus or less adjustment amount (165), if used.

Relation between Home Currency and Invoicing Currency is established through data element 5402 (rate of exchange) in the SG7.CUX segment at header level.

Example:

MOA+77:1160::4'

Group: **SG50** Status: D Max. Occ.: 1 Total invoice amount in home currency
 Use this SG50 when amounts also have to be specified in home currency.

Segment: **MOA** Seq. No.: 70 Level: 1 **Monetary amount**
 Status: M Max. Occ.: 1
 Counter: 2210

Name: Invoice amount in home currency

UN/EDIFACT			Implementation	
	Name	St Format	St Format	Use / Remarks
MOA				
C516	Monetary amount	M	M	
5025	Monetary amount type code qualifier	M an..3	M an..3	77 Invoice line item amount Although the EDIFACT codelist provides another code for the sum of several invoice documents (e.g. in a summarised message like an invoice trailer) for the sake of keeping the message as simple as possible the code 77 shall be used also in those messages.
5004	Monetary amount	C n..35	R n..15	Value of a monetary amount in currency units. Maximum 2 decimals.
6345	Currency identification code	C an..3	N	not used
6343	Currency type code qualifier	C an..3	R an..3	3 Home currency

Remark:
 Total sum charged in home currency.

Example:
 MOA+77:824.76::3'

Group: **SG50** Status: D Max. Occ.: 1 Total taxable amount in invoicing currency

If no taxes or duties apply to any part of the invoice this occurrence of SG50 can be omitted. For transactions with European partners this SG50 shall be present for legal reasons, even if only zero rate taxes apply to the invoiced items.

Segment: **MOA** Seq. No.: 71 Level: 1 **Monetary amount**
 Status: M Max. Occ.: 1
 Counter: 2210

Name: Total taxable amount in invoicing currency

UN/EDIFACT			Implementation	
	Name	St Format	St Format	Use / Remarks
MOA				
C516	Monetary amount	M	M	
5025	Monetary amount type code qualifier	M an..3	M an..3	125 Taxable amount
5004	Monetary amount	C n..35	R n..15	Value of taxable monetary amount in currency units. Maximum 2 decimals.
6345	Currency identification code	C an..3	N	not used
6343	Currency type code qualifier	C an..3	R an..3	4 Invoicing currency

Remark:

To be used in agreement between concerned parties.

Example:

MOA+125:1000::4'

Group: **SG50** Status: D Max. Occ.: 1 Total taxable amount in home currency

If no taxes or duties apply to any part of the invoice this occurrence of SG50 can be omitted. For transactions with European partners this SG50 might be required for legal reasons, even if only zero rate taxes apply to the invoiced items.

Segment: **MOA** Seq. No.: 72 Level: 1 **Monetary amount**
 Status: M Max. Occ.: 1
 Counter: 2210

Name: Total taxable amount in home currency

UN/EDIFACT			Implementation	
	Name	St Format	St Format	Use / Remarks
MOA				
C516	Monetary amount	M	M	
5025	Monetary amount type code qualifier	M an..3	M an..3	125 Taxable amount
5004	Monetary amount	C n..35	R n..15	Value of taxable monetary amount in currency units. Maximum 2 decimals.
6345	Currency identification code	C an..3	N	not used
6343	Currency type code qualifier	C an..3	R an..3	3 Home currency

Remark:
 To be used in agreement between concerned parties.

Example:
 MOA+125:711::3'

Group: **SG50** Status: D Max. Occ.: 1 Total tax amount in invoicing currency

If no taxes or duties apply to any part of the invoice this occurrence of SG50 can be omitted. For transactions with European partners this SG50 shall be present for legal reasons, even if the total tax amount equals zero.

Segment: **MOA** Seq. No.: 73 Level: 1 **Monetary amount**
 Status: M Max. Occ.: 1
 Counter: 2210

Name: Total tax amount in invoicing currency

UN/EDIFACT			Implementation	
	Name	St Format	St Format	Use / Remarks
MOA				
C516	Monetary amount	M	M	
5025	Monetary amount type code qualifier	M an..3	M an..3	176 Message total duty/tax/fee amount
5004	Monetary amount	C n..35	R n..15	Value of tax amount in currency units. Maximum 2 decimals.
6345	Currency identification code	C an..3	N	not used
6343	Currency type code qualifier	C an..3	R an..3	4 Invoicing currency

Remark:
 To be used in agreement between concerned parties.

Example:
 MOA+176:160::4'

Group: **SG50** Status: D Max. Occ.: 1 Total tax amount in home currency

If no taxes or duties apply to any part of the invoice this occurrence of SG50 can be omitted. For transactions with European partners this SG50 shall be present for legal reasons, even if the total tax amount equals zero.

Segment: **MOA** Seq. No.: 74 Level: 1 **Monetary amount**
 Status: M Max. Occ.: 1
 Counter: 2210

Name: Total tax amount in home currency

UN/EDIFACT			Implementation	
	Name	St Format	St Format	Use / Remarks
MOA				
C516	Monetary amount	M	M	
5025	Monetary amount type code qualifier	M an..3	M an..3	176 Message total duty/tax/fee amount
5004	Monetary amount	C n..35	R n..15	Value of a tax amount in home currency units. Maximum 2 decimals.
6345	Currency identification code	C an..3	N	not used
6343	Currency type code qualifier	C an..3	R an..3	3 Home currency

Remark:
 To be used in agreement between concerned parties.

Example:
 MOA+176:113.76::3'

Group: **SG50** Status: R Max. Occ.: 1 Total line items amount in invoicing currency

Segment: **MOA** Seq. No.: 75 Level: 1 **Monetary amount**
 Status: M Max. Occ.: 1
 Counter: 2210

Name: Total line items amount in invoicing currency

UN/EDIFACT			Implementation	
	Name	St Format	St Format	Use / Remarks
MOA				
C516	Monetary amount	M	M	
5025	Monetary amount type code qualifier	M an..3	M an..3	79 Total line items amount
5004	Monetary amount	C n..35	R n..15	Value of a monetary amount in currency units. Maximum 2 decimals.
6345	Currency identification code	C an..3	N	not used
6343	Currency type code qualifier	C an..3	R an..3	4 Invoicing currency

Remark:
 Total sum of all line items amounts. (SG27.C516.5004)

Example:
 MOA+79:1000::4'

Group: **SG50** Status: D Max. Occ.: 1 Total invoice additional amount in invoicing currency

Use this SG50 when additional charges has been made on any line item.

Segment: **MOA** Seq. No.: 76 Level: 1 **Monetary amount**
 Status: M Max. Occ.: 1
 Counter: 2210

Name: Total invoice additional amount in invoicing currency

UN/EDIFACT			Implementation	
	Name	St Format	St Format	Use / Remarks
MOA				
C516	Monetary amount	M	M	
5025	Monetary amount type code qualifier	M an..3	M an..3	136 Total invoice additional amount
5004	Monetary amount	C n..35	R n..15	Value of a monetary amount to be added to the sum of line items in order to arrive at the document's total amount - in invoice currency. Maximum 2 decimals.
6345	Currency identification code	C an..3	N	not used
6343	Currency type code qualifier	C an..3	R an..3	4 Invoicing currency

Remark:

Example:

MOA+136:1000::4'

Group: **SG50** Status: D Max. Occ.: 1 Total invoice price adjustment amount in invoicing currency

Segment: **MOA** Seq. No.: 77 Level: 1 **Monetary amount**
 Status: M Max. Occ.: 1
 Counter: 2210

Name: Total invoice adjustment amount in invoicing currency

UN/EDIFACT			Implementation	
	Name	St Format	St Format	Use / Remarks
MOA				
C516	Monetary amount	M	M	
5025	Monetary amount type code qualifier	M an..3	M an..3	165 Adjustment amount
5004	Monetary amount	C n..35	R n..15	Value of an adjustment amount in currency units. Maximum 2 decimals. Minus (negative) sign must be used to indicate negative figures.
6345	Currency identification code	C an..3	N	not used
6343	Currency type code qualifier	C an..3	R an..3	4 Invoicing currency

Remark:

In some countries the invoice amount is always rounded to full currency units. The sum of all line item amounts + charges + taxes does often not equal to this rounded invoice amount. In this case, an adjustment amount might be necessary to explain the difference.

Example:

MOA+165:0.26::4'
 MOA+165:-0.21::4'

Group: **SG50** Status: D Max. Occ.: 2 Total non-taxable/exemption amount
 Use this SG50 if zero rate taxes apply.

Segment: **MOA** Seq. No.: 78 Level: 1 **Monetary amount**
 Status: M Max. Occ.: 1
 Counter: 2210

Name: Non-taxable or exemption amount

UN/EDIFACT			Implementation	
	Name	St Format	St Format	Use / Remarks
MOA				
C516	Monetary amount	M	M	
5025	Monetary amount type code qualifier	M an..3	M an..3	342 Non-taxable amount 403 Exemption amount
5004	Monetary amount	C n..35	R n..15	Value of a monetary amount subject to tax exemptions. Maximum 2 decimals.
6345	Currency identification code	C an..3	N	not used
6343	Currency type code qualifier	C an..3	R an..3	4 Invoicing currency

Remark:
 Use this segment if the goods or services are exempt or non-taxable according to local legislation.

Example:
 MOA+403:1000::4 '
 MOA+342:100::4 '

Group: **SG52** Status: D Max. Occ.: 10 Tax rates and amounts

SG52 to be used when legally required and/or in agreement between concerned parties.

Segment: **TAX** Seq. No.: 79 Level: 1 Duty/tax/fee details
 Status: M Max. Occ.: 1
 Counter: 2260

Name: Tax type

UN/EDIFACT			Implementation	
	Name	St Format	St Format	Use / Remarks
TAX				
5283	Duty or tax or fee function code qualifier	M an..3	M an..3	Code qualifying the function of a duty or tax or fee. 7 Tax
C241	Duty/tax/fee type	C	R	
5153	Duty or tax or fee type name code	C an..3	R an..3	Code specifying a type of duty, tax or fee. AAG Harmonised sales tax, Canadian AAH Quebec sales tax AAI Canadian provincial sales tax BOL Stamp duty (Imposta di Bollo) GST Goods and services tax LOC Local sales tax OTH Other taxes STT State/provincial sales tax VAT Value added tax Code OTH shall be used when the tax in question is not VAT or another tax code.
C533	Duty/tax/fee account detail	C	N	not used
5289	Duty or tax or fee account code	M an..6	N	not used
5286	Duty or tax or fee assessment basis quantity	C an..15	N	not used
C243	Duty/tax/fee detail	C	R	
5279	Duty or tax or fee rate code	C an..7	N	not used
1131	Code list identification code	C an..17	N	not used
3055	Code list responsible agency code	C an..3	N	not used
5278	Duty or tax or fee rate	C an..17	R n..7	Rate (percentage) of the specified tax. Maximum 3 decimals. The tax rate (numeric) should be presented as follows: 19.5% ==> 19.5 In case of VAT exemption use 0.0
5305	Duty or tax or fee category code	C an..3	R an..3	Code specifying a duty or tax or fee category. E Exempt from tax S Standard rate AAA Exempt - Article 146, 148 and 151 of Council Directive 2006/112//EC AAC Exempt - Article 138 of Council Directive 2006/112//EC AAD Exempt - Article 28c(B) AAE Exempt - Article 48, 49 and 50 of Council Directive 2006/112//EC AAF Exempt - Article 346 of Council Directive 2006/112//EC AAG Exempt - Article 131, 132 and 135 of Council Directive 2006/112//EC AAH Margin Scheme - Title XII, Chapter 4 of Council Directive 2006/112//EC AAI Margin Scheme - Title XII, Chapter 3 of Council Directive 2006/112//EC AAJ Reverse Charge - Article 198 of Council Directive 2006/112//EC AAL Reverse Charge Exempt - Articles 154 -164 of Council Directive 2006/112//EC AAM Exempt New Means of Transport - Article 2, 3 and 4

SG52 to be used when legally required and/or in agreement between concerned parties.

UN/EDIFACT			Implementation	
	Name	St Format	St Format	Use / Remarks
				<p>AAN of Council Directive 2006/112//EC Exempt Triangulation - Article 141 of Council Directive 2006/112//EC</p> <p>AAP VAT exempt/reverse charge, within the construction business, Article 199 1 a-b of Council Directive 2006/112//EC</p> <p>AAQ Reverse Charge – Article 194 of Council Directive 2006/112//EC</p> <p>Under 6th EU directive, any exemption from tax has to be declared in more detailed. There are several provisions in the directive, which allow exemption. In the European environment it is necessary to state this reason whenever the invoice issuer declares an invoice item or the whole invoice to be VAT exempt.</p> <p>For more Information use guidelines: Reference to Codelist VAT Category code (Tax Exemption Reason Codes list at Volvo IT's EDI homepage).</p>
3446	Party tax identifier	C an..20	N	not used
1227	Calculation sequence code	C an..3	N	not used
5307	Tax or duty or fee payment due date code	C an..3	N	not used

Remark:

When sending a message with data element 5278 in the TAX segment; the tax rate (numeric) should be presented in an alpha-numeric field as follows: 19.5% ==> 19.5. In case of VAT exemption use 0.0.

In European business environment, it is recommended to use SG52 as well to summarize line items belonging to the same exemption category. Assuming an invoice with a mixture of line items (1000 EUR) subject to VAT and line items (1000 EUR) subject to tax exemption, the following example would explain the recommendation:

SG50: Total invoice amount (MOA+77) 2160.00 EUR
 SG50: Total taxable amount (MOA+125) 1000.00 EUR
 SG50: Total tax amount (MOA+176) 160.00 EUR
 SG50: Total exemption amt (MOA+403) 1000.00 EUR
 SG52: Tax rate and amounts - VAT
 SG52: Tax rate and type (TAX+7) 16% VAT
 SG52: Taxable amount (MOA+125) 1000.00 EUR
 SG52: Tax amount (MOA+124) 160.00 EUR
 SG52: Tax rate and amounts - exempt code AAA
 SG52: Tax rate and type (TAX+7) 0% AAA (exempt ...)
 SG52: Taxable amount (MOA+125) 1000.00 EUR
 SG52: Tax amount (MOA+124) 0.00 EUR

Example:

TAX+7+VAT++++:::16.0+S'

Group: **SG52** Status: D Max. Occ.: 10 Tax rates and amounts

SG52 to be used when legally required and/or in agreement between concerned parties.

Segment: **MOA** Seq. No.: 80 Level: 2 **Monetary amount**
 Status: R Max. Occ.: 1
 Counter: 2270

Name: Tax amount in invoice currency

UN/EDIFACT			Implementation	
	Name	St Format	St Format	Use / Remarks
MOA				
C516	Monetary amount	M	M	
5025	Monetary amount type code qualifier	M an..3	M an..3	124 Tax amount
5004	Monetary amount	C n..35	R n..15	Value of a tax amount in currency units. Maximum 2 decimals.
6345	Currency identification code	C an..3	N	not used
6343	Currency type code qualifier	C an..3	R an..3	4 Invoicing currency

Remark:

Example:

MOA+124:160::4'

Group: **SG52** Status: D Max. Occ.: 10 Tax rates and amounts

SG52 to be used when legally required and/or in agreement between concerned parties.

Segment: **MOA** Seq. No.: 81 Level: 2 **Monetary amount**
 Status: R Max. Occ.: 1
 Counter: 2270

Name: Taxable amount in invoice currency

UN/EDIFACT			Implementation	
	Name	St Format	St Format	Use / Remarks
MOA				
C516	Monetary amount	M	M	
5025	Monetary amount type code qualifier	M an..3	M an..3	125 Taxable amount
5004	Monetary amount	C n..35	R n..15	Value of a taxable amount in currency units. Maximum 2 decimals.
6345	Currency identification code	C an..3	N	not used
6343	Currency type code qualifier	C an..3	R an..3	4 Invoicing currency

Remark:

Example:

MOA+125:1000::4'

Segment:

UNT

Seq. No.: 82 Level: 0
 Status: M Max. Occ.: 1
 Counter: 2330

Message trailer

Name: Message trailer

UN/EDIFACT			Implementation	
	Name	St Format	St Format	Use / Remarks
UNT				
0074	Number of segments in the message	M n..6	M n..6	Number of segments in the message.
0062	Message reference number	M an..14	M an..14	

Remark:

Example:

UNT+162+1'