



Message Specification

VOLVO 810 004010

Based on:

810

Invoice

X12 004010

Version: 1
Variant: 0
Issue date: 17.01.2020
Author: VOLVO GROUP IT

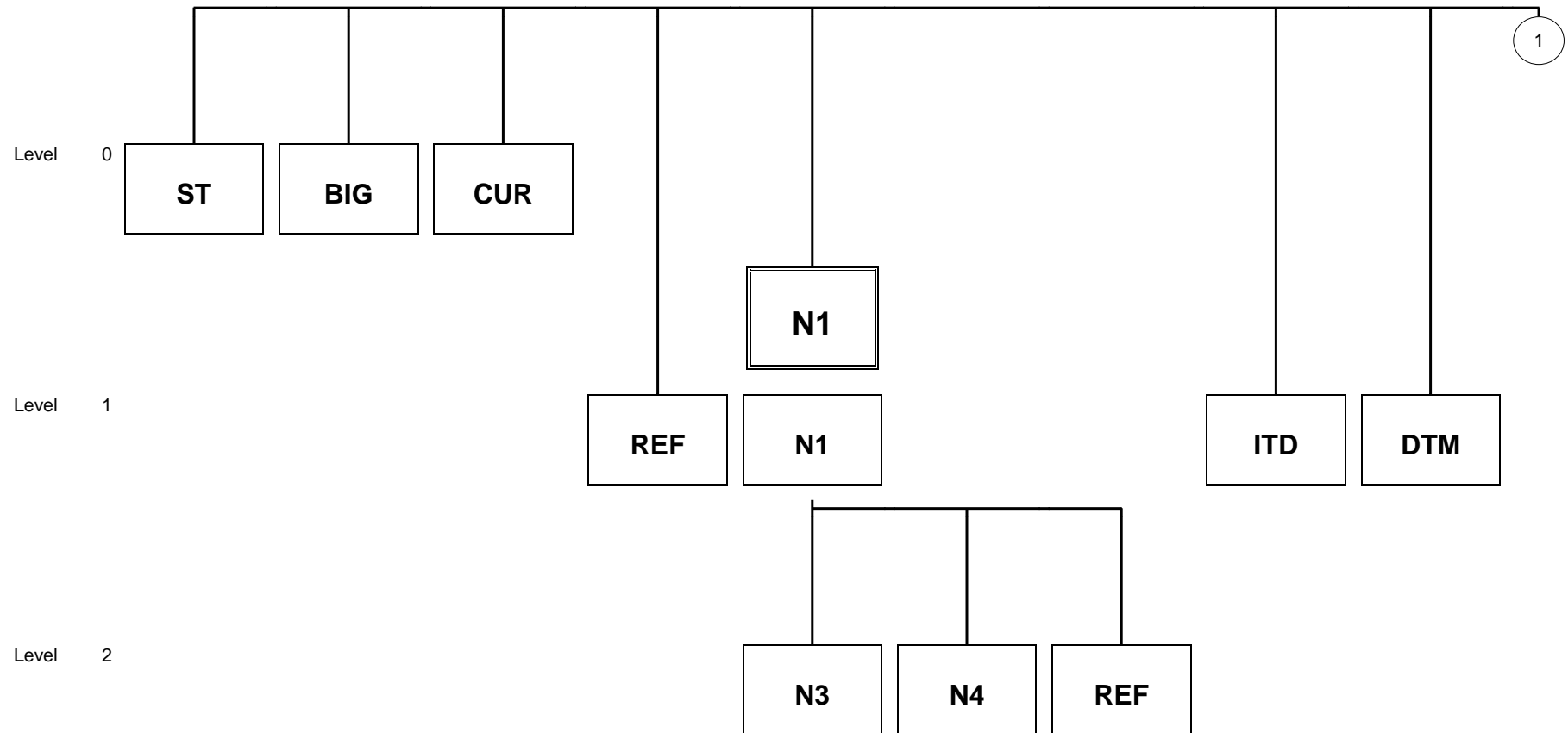
Message Structure

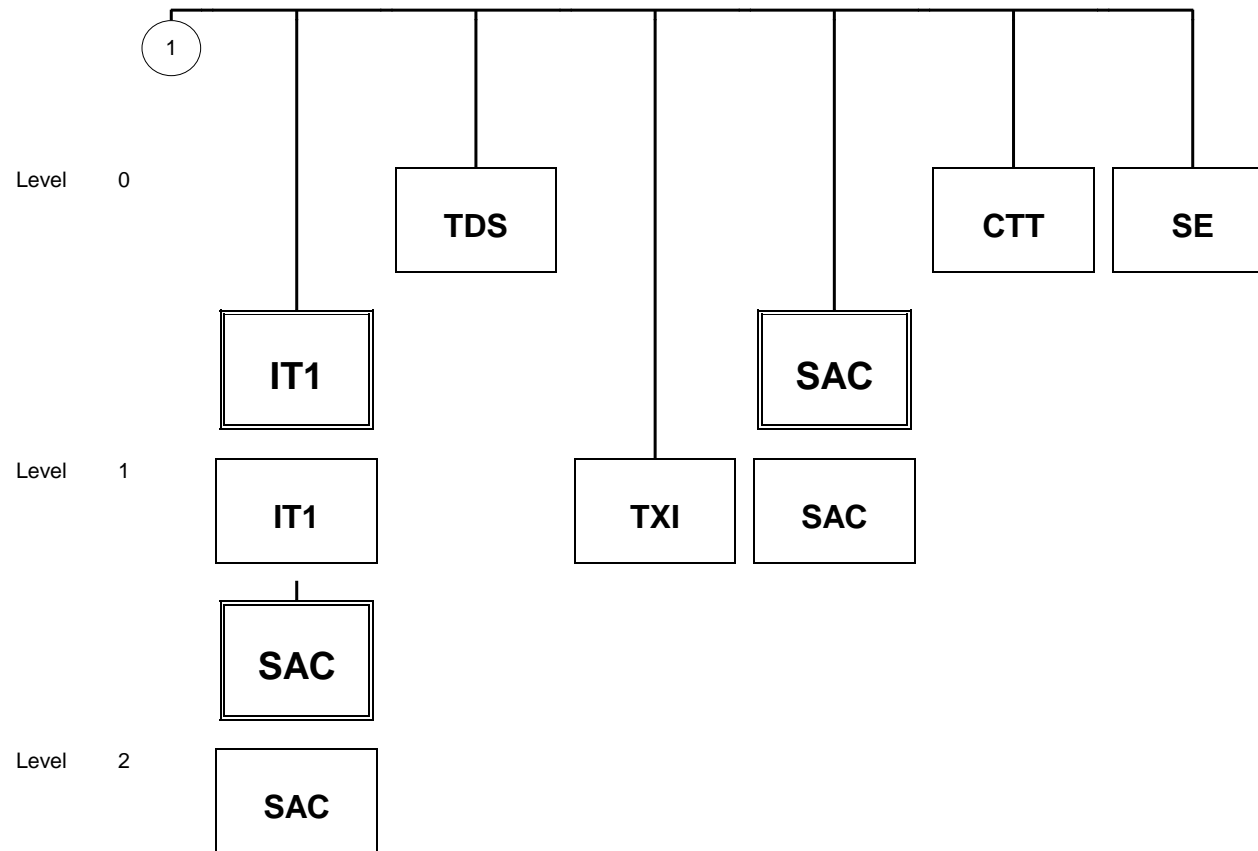
Counter	No	Tag	St	MaxOcc	Level	Content
0010	1	ST	M	1	0	Transaction Set Header
0020	2	BIG	M	1	0	Beginning Segment for Invoice
0040	3	CUR	R	1	0	Currency
0050	4	REF	R	12	1	Reference Identification
0050	5	REF	D	12	1	Reference Identification
0050	6	REF	D	12	1	Reference Identification
0070		N1	R	200	1	Buyer Identifications
0070	7	N1	M	1	1	Name
0090	8	N3	R	2	2	Address Information
0100	9	N4	R	1	2	Geographic Location
0070		N1	R	200	1	Seller Identifications
0070	10	N1	M	1	1	Name
0090	11	N3	R	2	2	Address Information
0100	12	N4	R	1	2	Geographic Location
0110	13	REF	D	12	2	Reference Identification
0110	14	REF	D	12	2	Reference Identification
0070		N1	R	200	1	Ship From Identifications
0070	15	N1	M	1	1	Name
0090	16	N3	R	2	2	Address Information
0100	17	N4	R	1	2	Geographic Location
0110	18	REF	D	12	2	Reference Identification
0110	19	REF	D	12	2	Reference Identification
0070		N1	R	200	1	Ship To Identifications
0070	20	N1	M	1	1	Name
0090	21	N3	R	2	2	Address Information
0100	22	N4	R	1	2	Geographic Location
0130	23	ITD	O	>1	1	Terms of Sale/Deferred Terms of Sale
0140	24	DTM	R	10	1	Date/Time Reference
0010		IT1	R	200000	1	IT1-SAC
0010	25	IT1	M	1	1	Baseline Item Data (Invoice)
0180		SAC	O	25	2	SAC
0180	26	SAC	M	1	2	Service, Promotion, Allowance, or Charge Information
0010	27	TDS	M	1	0	Total Monetary Value Summary
0020	28	TXI	O	10	1	Tax Information
0040		SAC	O	25	1	SAC
0040	29	SAC	M	1	1	Service, Promotion, Allowance, or Charge Information
0070	30	CTT	R	1	0	Transaction Totals
0080	31	SE	M	1	0	Transaction Set Trailer

Counter = Counter of segment/group within the standard
 No = Consecutive segment number
 MaxOcc = Maximum occurrence of the segment/group

St = Status
 X12: M=Mandatory, C=Conditional, O=Optional
 User specific: R=Required, O=Optional, D=Dependent, N=Not used

Branching Diagram of Used Segments/Groups





Segments

Counter	No	Tag	St	MaxOcc	Level	Name
0010	1	ST	M	1	0	Transaction Set Header

Standard			Implementation	
Ref.	Id	Name	St Format	Usage / Remark
ST01	143	Transaction Set Identifier Code	M ID 3/3	810 Invoice Code uniquely identifying a Transaction Set
ST02	329	Transaction Set Control Number	M AN 4/9	Identifying control number that must be unique within the transaction set functional group assigned by the originator for a transaction set

Remark:

To indicate the start of a transaction set and to assign a control number

The transaction set identifier (ST01) is used by the translation routines of the interchange partners to select the appropriate transaction set definition (e.g., 810 selects the Invoice Transaction Set).

Example:

ST*810*000001

No = Consecutive segment number
 MaxOcc = Maximum occurrence of the segment/group
 Counter = Counter of segment/group within the standard

St=Status
 X12: M=Mandatory, C=Conditional, O=Optional
 User specific: R=Required, O=Optional, D=Dependent, N=Not used

Counter	No	Tag	St	MaxOcc	Level	Name
---------	----	-----	----	--------	-------	------

0020	2	BIG	M	1	0	Beginning Segment for Invoice
------	---	------------	---	---	---	-------------------------------

Standard			Implementation	
Ref.	Id	Name	St Format	Usage / Remark
BIG 01	373	Date	M DT 8/8	Date expressed as CCYYMMDD The invoice creation date.
BIG 02	76	Invoice Number	M AN 1/22	Identifying number assigned by issuer Unique number for the invoice. It may not be repeated within one year.
BIG 07	640	Transaction Type Code	O ID 2/2	Code specifying the type of transaction CI Consolidated Invoice

Remark:

To indicate the beginning of an invoice transaction set and transmit identifying numbers and dates

BIG01 is the invoice issue date

BIG07 is used only to further define the type of invoice when needed

Example:

BIG*20170613*6292555*****CI

No = Consecutive segment number
 MaxOcc = Maximum occurrence of the segment/group
 Counter = Counter of segment/group within the standard

St=Status
 X12: M=Mandatory, C=Conditional, O=Optional
 User specific: R=Required, O=Optional, D=Dependent, N=Not used

Counter	No	Tag	St	MaxOcc	Level	Name
0040	3	CUR	R	1	0	Currency

Standard			Implementation	
Ref.	Id	Name	St Format	Usage / Remark
CUR 01	98	Entity Identifier Code	M ID 2/3	Code identifying an organizational entity, a physical location, property or an individual II Issuer of Invoice
CUR 02	100	Currency Code	M ID 3/3	Code (Standard ISO) for country in whose currency the charges are specified

Remark:

To specify the currency (dollars etc.) used in a transaction

Example:

CUR*II*USD

No = Consecutive segment number
 MaxOcc = Maximum occurrence of the segment/group
 Counter = Counter of segment/group within the standard

St=Status
 X12: M=Mandatory, C=Conditional, O=Optional
 User specific: R=Required, O=Optional, D=Dependent, N=Not used

Counter	No	Tag	St	MaxOcc	Level	Name
0050	4	REF	R	12	1	Reference Identification

Standard			Implementation	
Ref.	Id	Name	St Format	Usage / Remark
REF 01	128	Reference Identification Qualifier	M ID 2/2	A unique number (to the shipper) assigned by the shipper to identify the shipment The SID number should match the number sent in the BSN:02 of the 856 Ship Notice SI Shipper's Identifying Number for Shipment (SID)
REF 02	127	Reference Identification	R AN 1/30	Reference information as defined for a particular Transaction Set or as specified by the Reference Identification Qualifier The SID number should match to the information/data sent in the BSN:02 of the 856 ship notice. (The number is used for matching so it should be the same number used to identify the shipment.)

Remark:

To specify identifying information

Example:

REF*SI*5286760

No = Consecutive segment number
 MaxOcc = Maximum occurrence of the segment/group
 Counter = Counter of segment/group within the standard

St=Status
 X12: M=Mandatory, C=Conditional, O=Optional
 User specific: R=Required, O=Optional, D=Dependent, N=Not used

Counter	No	Tag	St	MaxOcc	Level	Name
0050	5	REF	D	12	1	Reference Identification

Standard			Implementation	
Ref.	Id	Name	St Format	Usage / Remark
REF 01	128	Reference Identification Qualifier	M 2/2	Code qualifying the Reference Identification DC Dealer purchase order number
REF 02	127	Reference Identification	R AN 1/30	Reference information as defined for a particular Transaction Set or as specified by the Reference Identification Qualifier The Dealer Purchase Order number is required for those shipments that went directly to a Dealership. The Dealer Purchase Order is provided on the 850 order that you received

Remark:

To specify identifying information

Required only for shipments going directly to a Dealership

Example:

REF*DC*P0702127MV

No = Consecutive segment number
 MaxOcc = Maximum occurrence of the segment/group
 Counter = Counter of segment/group within the standard

St=Status
 X12: M=Mandatory, C=Conditional, O=Optional
 User specific: R=Required, O=Optional, D=Dependent, N=Not used

Counter	No	Tag	St	MaxOcc	Level	Name
---------	----	-----	----	--------	-------	------

0050	6	REF	D	12	1	Reference Identification
------	---	------------	---	----	---	--------------------------

Standard			Implementation	
Ref.	Id	Name	St Format	Usage / Remark
REF 01	128	Reference Identification Qualifier	M 2/2	Code qualifying the Reference Identification PD Promotion/Deal Number
REF 02	127	Reference Identification	R AN 1/30	Reference information as defined for a particular Transaction Set or as specified by the Reference Identification Qualifier The Program or Promotion Number is required for those shipments that went to a Dealership. The Program or Promotion Number is provided on the 850 order that you received

Remark:

To specify identifying information. Required only for shipments going directly to a Dealership

Example:

REF*PD*221758

No = Consecutive segment number
 MaxOcc = Maximum occurrence of the segment/group
 Counter = Counter of segment/group within the standard

St=Status
 X12: M=Mandatory, C=Conditional, O=Optional
 User specific: R=Required, O=Optional, D=Dependent, N=Not used

Counter	No	Tag	St	MaxOcc	Level	Name
0070		N1	R	200	1	Buyer Identifications
0070	7	N1	M	1	1	Name

Standard			Implementation	
Ref.	Id	Name	St Format	Usage / Remark
N1 01	98	Entity Identifier Code	M 2/2	Code identifying an organizational entity, a physical location, property or an individual BY Buying Party (Purchaser)
N1 02	93	Name	R AN 1/60	Free-form name
N1 03	66	Identification Code Qualifier	R 2/2	Code designating the system/method of code structure used for Identification Code (67) 92 Assigned by Buyer or Buyer's Agent
N1 04	67	Identification Code	R 2/15	Code identifying a party or other code

Remark:

To identify a party by type of organization, name, and code

- 1 At least one of N102 or N103 is required
- 2 If either N103 or N104 is present, then the other is required

This segment, used alone, provides the most efficient method of providing organizational identification. To obtain this efficiency the "ID Code" (N104) must provide a key to the table maintained by the transaction processing party.

Example:

N1*BY*VOLVO TRUCKS NORTH AMERICA*92*04388

No = Consecutive segment number
 MaxOcc = Maximum occurrence of the segment/group
 Counter = Counter of segment/group within the standard

St=Status
 X12: M=Mandatory, C=Conditional, O=Optional
 User specific: R=Required, O=Optional, D=Dependent, N=Not used

Counter	No	Tag	St	MaxOcc	Level	Name
0070		N1	R	200	1	Buyer Identifications
0090	8	N3	R	2	2	Address Information

Standard			Implementation	
Ref.	Id	Name	St Format	Usage / Remark
N3 01	166	Address Information	M AN 1/55	

Remark:

To specify the location of the named party

Example:

N3*4881 COUGAR TRAIL ROAD

No = Consecutive segment number
 MaxOcc = Maximum occurrence of the segment/group
 Counter = Counter of segment/group within the standard

St=Status
 X12: M=Mandatory, C=Conditional, O=Optional
 User specific: R=Required, O=Optional, D=Dependent, N=Not used

Counter	No	Tag	St	MaxOcc	Level	Name
0070		N1	R	200	1	Buyer Identifications
0100	9	N4	R	1	2	Geographic Location

Standard			Implementation	
Ref.	Id	Name	St Format	Usage / Remark
N4 01	19	City Name	R AN 2/30	Free-form text for city name
N4 02	156	State or Province Code	R ID 2/2	Code (Standard State/Province) as defined by appropriate government agency
N4 03	116	Postal Code	R ID 3/15	Code defining international postal zone code excluding punctuation and blanks (zip code for United States)
N4 04	26	Country Code	R ID 2/3	Code identifying the country

Remark:

To specify the geographic place of the named party

- 1 A combination of N401 through N404 may be adequate to specify a location.
- 2 N402 is required only if city name (N401) is in the U.S. or Canada.

Example:

N4*DUBLIN*VA*24084*US

No = Consecutive segment number
 MaxOcc = Maximum occurrence of the segment/group
 Counter = Counter of segment/group within the standard

St=Status
 X12: M=Mandatory, C=Conditional, O=Optional
 User specific: R=Required, O=Optional, D=Dependent, N=Not used

Counter	No	Tag	St	MaxOcc	Level	Name
0070		N1	R	200	1	Seller Identifications
0070	10	N1	M	1	1	Name

Standard			Implementation	
Ref.	Id	Name	St Format	Usage / Remark
N1 01	98	Entity Identifier Code	M 2/2	Code identifying an organizational entity, a physical location, property or an individual SE Selling Party
N1 02	93	Name	R AN 1/60	Free-form name
N1 03	66	Identification Code Qualifier	R 2/2	Code designating the system/method of code structure used for Identification Code (67) 92 Assigned by Buyer or Buyer's Agent
N1 04	67	Identification Code	R 2/15	Code identifying a party or other code

Remark:

To identify a party by type of organization, name, and code

- 1 At least one of N102 or N103 is required
- 2 If either N103 or N104 is present, then the other is required

This segment, used alone, provides the most efficient method of providing organizational identification. To obtain this efficiency the "ID Code" (N104) must provide a key to the table maintained by the transaction processing party

Example:

N1*SE*SUPPLIER ABC*92*04524

No = Consecutive segment number
 MaxOcc = Maximum occurrence of the segment/group
 Counter = Counter of segment/group within the standard

St=Status
 X12: M=Mandatory, C=Conditional, O=Optional
 User specific: R=Required, O=Optional, D=Dependent, N=Not used

Counter	No	Tag	St	MaxOcc	Level	Name
0070		N1	R	200	1	Seller Identifications
0090	11	N3	R	2	2	Address Information

Standard			Implementation	
Ref.	Id	Name	St Format	Usage / Remark
N3 01	166	Address Information	M AN 1/55	

Remark:

To specify the location of the named party

Example:

N3*2600 LANCASTER DRIVE

No = Consecutive segment number
 MaxOcc = Maximum occurrence of the segment/group
 Counter = Counter of segment/group within the standard

St=Status
 X12: M=Mandatory, C=Conditional, O=Optional
 User specific: R=Required, O=Optional, D=Dependent, N=Not used

Counter	No	Tag	St	MaxOcc	Level	Name
0070		N1	R	200	1	Seller Identifications
0100	12	N4	R	1	2	Geographic Location

Standard			Implementation	
Ref.	Id	Name	St Format	Usage / Remark
N4 01	19	City Name	R AN 2/30	Free-form text for city name
N4 02	156	State or Province Code	R ID 2/2	Code (Standard State/Province) as defined by appropriate government agency
N4 03	116	Postal Code	R ID 3/15	Code defining international postal zone code excluding punctuation and blanks (zip code for United States)
N4 04	26	Country Code	R ID 2/3	Code identifying the country

Remark:

To specify the geographic place of the named party

- 1 A combination of N401 through N404 may be adequate to specify a location
- 2 N402 is required only if city name (N401) is in the U.S. or Canada

Example:

N4 *MORRISON* IN* 47250 *US

No = Consecutive segment number
 MaxOcc = Maximum occurrence of the segment/group
 Counter = Counter of segment/group within the standard

St=Status
 X12: M=Mandatory, C=Conditional, O=Optional
 User specific: R=Required, O=Optional, D=Dependent, N=Not used

Counter	No	Tag	St	MaxOcc	Level	Name
0070		N1	R	200	1	Seller Identifications
0110	13	REF	D	12	2	Reference Identification

Standard			Implementation	
Ref.	Id	Name	St Format	Usage / Remark
REF 01	128	Reference Identification Qualifier	M 2/2	Code qualifying the Reference Identification 3S Provincial (Canadian) Sales Tax Exemption Number If charging for the Canadian Provincial sales tax this qualifier must be used to identify the corresponding tax identification number. (TXI*LT)
REF 02	127	Reference Identification	R AN 1/30	Reference information as defined for a particular Transaction Set or as specified by the Reference Identification Qualifier
REF 03	352	Description	O AN 1/80	A free-form description to clarify the related data elements and their content

Remark:

To specify identifying information

At least one of REF02 or REF03 is required

Example:

REF*3S*1002886754*P.S.T.

REF*3S*27833414*Q.S.T.

No = Consecutive segment number
 MaxOcc = Maximum occurrence of the segment/group
 Counter = Counter of segment/group within the standard

St=Status
 X12: M=Mandatory, C=Conditional, O=Optional
 User specific: R=Required, O=Optional, D=Dependent, N=Not used

Counter	No	Tag	St	MaxOcc	Level	Name
0070		N1	R	200	1	Seller Identifications
0110	14	REF	D	12	2	Reference Identification

Standard			Implementation	
Ref.	Id	Name	St Format	Usage / Remark
REF 01	128	Reference Identification Qualifier	M 2/2	Code qualifying the Reference Identification 40 Canadian Goods & Services or Quebec Sales Tax Reference Number If charging for the Canadian Goods & Services tax or Harmonized Sales Tax this qualifier must be used to identify the corresponding tax reference number. (TXI*GS)
REF 02	127	Reference Identification	R AN 1/30	Reference information as defined for a particular Transaction Set or as specified by the Reference Identification Qualifier
REF 03	352	Description	O AN 1/80	A free-form description to clarify the related data elements and their content

Remark:

To specify identifying information

Example:

REF*40*101949162*G.S.T.

REF*40*187114299*H.S.T.

No = Consecutive segment number
 MaxOcc = Maximum occurrence of the segment/group
 Counter = Counter of segment/group within the standard

St=Status
 X12: M=Mandatory, C=Conditional, O=Optional
 User specific: R=Required, O=Optional, D=Dependent, N=Not used

Counter	No	Tag	St	MaxOcc	Level	Name
0070		N1	R	200	1	Ship From Identifications
0070	15	N1	M	1	1	Name

Standard			Implementation	
Ref.	Id	Name	St Format	Usage / Remark
N1 01	98	Entity Identifier Code	M 2/2	Code identifying an organizational entity, a physical location, property or an individual SF Ship From
N1 02	93	Name	R AN 1/60	Free-form name
N1 03	66	Identification Code Qualifier	R 2/2	Code designating the system/method of code structure used for Identification Code (67) 92 Assigned by Buyer or Buyer's Agent
N1 04	67	Identification Code	R 2/15	Code identifying a party or other code

Remark:

To identify a party by type of organization, name, and code

- 1 At least one of N102 or N103 is required
- 2 If either N103 or N104 is present, then the other is required

This segment, used alone, provides the most efficient method of providing organizational identification. To obtain this efficiency the "ID Code" (N104) must provide a key to the table maintained by the transaction processing party

Example:

N1*SF*SUPPLIER ABC*92*04524

No = Consecutive segment number
 MaxOcc = Maximum occurrence of the segment/group
 Counter = Counter of segment/group within the standard

St=Status
 X12: M=Mandatory, C=Conditional, O=Optional
 User specific: R=Required, O=Optional, D=Dependent, N=Not used

Counter	No	Tag	St	MaxOcc	Level	Name
0070		N1	R	200	1	Ship From Identifications
0090	16	N3	R	2	2	Address Information

Standard			Implementation	
Ref.	Id	Name	St Format	Usage / Remark
N3.01	166	Address Information	M AN 1/55	

Remark:

To specify the location of the named party

Example:

N3*2600 LANCASTER DRIVE

No = Consecutive segment number
 MaxOcc = Maximum occurrence of the segment/group
 Counter = Counter of segment/group within the standard

St=Status
 X12: M=Mandatory, C=Conditional, O=Optional
 User specific: R=Required, O=Optional, D=Dependent, N=Not used

Counter	No	Tag	St	MaxOcc	Level	Name
0070		N1	R	200	1	Ship From Identifications
0100	17	N4	R	1	2	Geographic Location

Standard			Implementation	
Ref.	Id	Name	St Format	Usage / Remark
N4 01	19	City Name	R AN 2/30	Free-form text for city name
N4 02	156	State or Province Code	R ID 2/2	Code (Standard State/Province) as defined by appropriate government agency
N4 03	116	Postal Code	R ID 3/15	Code defining international postal zone code excluding punctuation and blanks (zip code for United States)
N4 04	26	Country Code	R ID 2/3	Code identifying the country

Remark:

To specify the geographic place of the named party

- 1 A combination of N401 through N404 may be adequate to specify a location
- 2 N402 is required only if city name (N401) is in the U.S. or Canada

Example:

N4 *MORRISON* IN* 47250 *US

No = Consecutive segment number
 MaxOcc = Maximum occurrence of the segment/group
 Counter = Counter of segment/group within the standard

St=Status
 X12: M=Mandatory, C=Conditional, O=Optional
 User specific: R=Required, O=Optional, D=Dependent, N=Not used

Counter	No	Tag	St	MaxOcc	Level	Name
0070		N1	R	200	1	Ship From Identifications
0110	18	REF	D	12	2	Reference Identification

Standard			Implementation	
Ref.	Id	Name	St Format	Usage / Remark
REF 01	128	Reference Identification Qualifier	M 2/2	Code qualifying the Reference Identification 3S Provincial (Canadian) Sales Tax Exemption Number If charging for the Canadian Provincial sales tax this qualifier must be used to identify the corresponding tax identification number. (TXI*LT)
REF 02	127	Reference Identification	R AN 1/30	Reference information as defined for a particular Transaction Set or as specified by the Reference Identification Qualifier
REF 03	352	Description	O AN 1/80	A free-form description to clarify the related data elements and their content

Remark:

To specify identifying information

At least one of REF02 or REF03 is required

Example:

REF*3S*1002886754*P.S.T.

REF*3S*27833414*Q.S.T.

No = Consecutive segment number
 MaxOcc = Maximum occurrence of the segment/group
 Counter = Counter of segment/group within the standard

St=Status
 X12: M=Mandatory, C=Conditional, O=Optional
 User specific: R=Required, O=Optional, D=Dependent, N=Not used

Counter	No	Tag	St	MaxOcc	Level	Name
0070		N1	R	200	1	Ship From Identifications
0110	19	REF	D	12	2	Reference Identification

Standard			Implementation	
Ref.	Id	Name	St Format	Usage / Remark
REF 01	128	Reference Identification Qualifier	M 2/2	Code qualifying the Reference Identification 40 Canadian Goods & Services or Quebec Sales Tax Reference Number If charging for the Canadian Goods & Services tax or Harmonized Sales Tax this qualifier must be used to identify the corresponding tax reference number. (TXI*GS)
REF 02	127	Reference Identification	R AN 1/30	Reference information as defined for a particular Transaction Set or as specified by the Reference Identification Qualifier
REF 03	352	Description	O AN 1/80	A free-form description to clarify the related data elements and their content

Remark:

To specify identifying information

At least one of REF02 or REF03 is required

Example:

REF*40*101949162*G.S.T.

REF*40*187114299*H.S.T.

No = Consecutive segment number
 MaxOcc = Maximum occurrence of the segment/group
 Counter = Counter of segment/group within the standard

St=Status
 X12: M=Mandatory, C=Conditional, O=Optional
 User specific: R=Required, O=Optional, D=Dependent, N=Not used

Counter	No	Tag	St	MaxOcc	Level	Name
0070		N1	R	200	1	Ship To Identifications
0070	20	N1	M	1	1	Name

Standard			Implementation	
Ref.	Id	Name	St Format	Usage / Remark
N1 01	98	Entity Identifier Code	M 2/2	Code identifying an organizational entity, a physical location, property or an individual ST Ship To
N1 02	93	Name	R AN 1/60	Free-form name
N1 03	66	Identification Code Qualifier	R 2/2	Code designating the system/method of code structure used for Identification Code (67) 92 Assigned by Buyer or Buyer's Agent
N1 04	67	Identification Code	R 2/15	Code identifying a party or other code

Remark:

To identify a party by type of organization, name, and code

- 1 At least one of N102 or N103 is required
- 2 If either N103 or N104 is present, then the other is required

This segment, used alone, provides the most efficient method of providing organizational identification. To obtain this efficiency the "ID Code" (N104) must provide a key to the table maintained by the transaction processing party

Example:

N1*ST*COMPONENTS DE MONTREAL*92*03016

No = Consecutive segment number
 MaxOcc = Maximum occurrence of the segment/group
 Counter = Counter of segment/group within the standard

St=Status
 X12: M=Mandatory, C=Conditional, O=Optional
 User specific: R=Required, O=Optional, D=Dependent, N=Not used

Counter	No	Tag	St	MaxOcc	Level	Name
0070		N1	R	200	1	Ship To Identifications
0090	21	N3	R	2	2	Address Information

Standard			Implementation	
Ref.	Id	Name	St Format	Usage / Remark
N3 01	166	Address Information	M AN 1/55	

Remark:

To specify the location of the named party

Example:

N3*7275 BOUL HYMUS BLVD

No = Consecutive segment number
 MaxOcc = Maximum occurrence of the segment/group
 Counter = Counter of segment/group within the standard

St=Status
 X12: M=Mandatory, C=Conditional, O=Optional
 User specific: R=Required, O=Optional, D=Dependent, N=Not used

Counter	No	Tag	St	MaxOcc	Level	Name
0070		N1	R	200	1	Ship To Identifications
0100	22	N4	R	1	2	Geographic Location

Standard			Implementation	
Ref.	Id	Name	St Format	Usage / Remark
N4 01	19	City Name	R AN 2/30	Free-form text for city name
N4 02	156	State or Province Code	R ID 2/2	Code (Standard State/Province) as defined by appropriate government agency
N4 03	116	Postal Code	R ID 3/15	Code defining international postal zone code excluding punctuation and blanks (zip code for United States)
N4 04	26	Country Code	R ID 2/3	Code identifying the country

Remark:

To specify the geographic place of the named party

- 1 A combination of N401 through N404 may be adequate to specify a location
- 2 N402 is required only if city name (N401) is in the U.S. or Canada

Example:

N4*ROYAL*QC*H9P 1J5*CN

No = Consecutive segment number
 MaxOcc = Maximum occurrence of the segment/group
 Counter = Counter of segment/group within the standard

St=Status
 X12: M=Mandatory, C=Conditional, O=Optional
 User specific: R=Required, O=Optional, D=Dependent, N=Not used

Counter	No	Tag	St	MaxOcc	Level	Name
---------	----	-----	----	--------	-------	------

0130	23	ITD	O	>1	1	Terms of Sale/Deferred Terms of Sale
------	----	------------	---	----	---	--------------------------------------

Standard			Implementation	
Ref.	Id	Name	St Format	Usage / Remark
ITD 06	446	Terms Net Due Date	O DT 8/8	Date when total invoice amount becomes due expressed in format CCYYMMDD

Remark:
To specify terms of sale

Example:
ITD*****20170923

No = Consecutive segment number
 MaxOcc = Maximum occurrence of the segment/group
 Counter = Counter of segment/group within the standard

St=Status
 X12: M=Mandatory, C=Conditional, O=Optional
 User specific: R=Required, O=Optional, D=Dependent, N=Not used

Counter	No	Tag	St	MaxOcc	Level	Name
---------	----	-----	----	--------	-------	------

0140	24	DTM	R	10	1	Date/Time Reference
------	----	------------	---	----	---	---------------------

Standard			Implementation	
Ref.	Id	Name	St Format	Usage / Remark
DTM01	374	Date/Time Qualifier	M ID 3/3	Code specifying type of date or time, or both date and time 011 Shipped
DTM02	373	Date	R DT 8/8	Date expressed as CCYYMMDD

Remark:
To specify pertinent dates and times

Example:
DTM*011*20170620

No = Consecutive segment number
MaxOcc = Maximum occurrence of the segment/group
Counter = Counter of segment/group within the standard

St=Status
X12: M=Mandatory, C=Conditional, O=Optional
User specific: R=Required, O=Optional, D=Dependent, N=Not used

Counter	No	Tag	St	MaxOcc	Level	Name
0010		IT1	R	200000	1	IT1-SAC
0010	25	IT1	M	1	1	Baseline Item Data (Invoice)

Standard			Implementation	
Ref.	Id	Name	St Format	Usage / Remark
IT1 01	350	Assigned Identification	R AN 1/20	Alphanumeric characters assigned for differentiation within a transaction set PO line item matching the original purchase order or purchase order release
IT1 02	358	Quantity Invoiced	R R 1/10	Number of units invoiced (supplier units)
IT1 03	355	Unit or Basis for Measurement Code	R ID 2/2	Code specifying the units in which a value is being expressed, or manner in which a measurement has been taken. Use the same unit of measure that was sent in the 830/850. CN Can CR Cubic Meter DM Decimeter DR Drum EA Each DEFAULT FT Foot GA Gallon GR Gram HU Hundred KG Kilogram KT Kit LB Pound LT Liter ML Milliliter MM Millimeter MR Meter OZ Ounce - Av PK Package PR Pair PT Pint QT Quart SC Square Centimeter SM Square Meter T3 Thousand Pieces
IT1 04	212	Unit Price	R R 1/17	Price per unit of product, service, commodity, etc. --> Include decimal point 2-positions >Include decimal point - 2 positions .00
IT1 05	639	Basis of Unit Price Code	R ID 2/2	Code identifying the type of unit price for an item HP Price per Hundred PE Price per Each TP Price per Thousand
IT1 06	235	Product/Service ID Qualifier	R ID 2/2	Code identifying the type/source of the descriptive number used in Product/Service ID (234) BP Buyer's Part Number
IT1 07	234	Product/Service ID	R AN 1/48	Identifying number for a product or service
IT1 08	235	Product/Service ID Qualifier	R ID 2/2	Code identifying the type/source of the descriptive number used in Product/Service ID (234) PO Purchase Order Number
IT1 09	234	Product/Service ID	R AN 1/48	Identifying number for a product or service
IT1 10	235	Product/Service ID Qualifier	O ID 2/2	Code identifying the type/source of the descriptive number used in Product/Service ID (234) CH Country of Origin Code

No = Consecutive segment number
 MaxOcc = Maximum occurrence of the segment/group
 Counter = Counter of segment/group within the standard

St=Status
 X12: M=Mandatory, C=Conditional, O=Optional
 User specific: R=Required, O=Optional, D=Dependent, N=Not used

Standard			Implementation	
Ref.	Id	Name	St Format	Usage / Remark
IT1 11	234	Product/Service ID	O AN 1/48	Identifying number for a product or service
IT1 12	235	Product/Service ID Qualifier	O ID 2/2	Code identifying the type/source of the descriptive number used in Product/Service ID (234) PD Part Number Description
IT1 13	234	Product/Service ID	O AN 1/48	Identifying number for a product or service
IT1 14	235	Product/Service ID Qualifier	O ID 2/2	Code identifying the type/source of the descriptive number used in Product/Service ID (234) VP Vendor's (Seller's) Part Number
IT1 15	234	Product/Service ID	O AN 1/48	Identifying number for a product or service
IT1 16	235	Product/Service ID Qualifier	C ID 2/2	Code identifying the type/source of the descriptive number used in Product/Service ID (234) RN Release Number Required, only if applied to the Mack legacy VDSP (Vendor Direct Ship Program) order. These would be legacy Mack orders shipped directly to a Dealership
IT1 17	234	Product/Service ID	C AN 1/48	Identifying number for a product or service

Remark:

To specify the basic and most frequently used line item data for the invoice and related transactions

IT101 is the purchase order line item identification

Element 235/234 combinations should be interpreted to include products and/or services. See the Data Dictionary for a complete list of IDs
IT106 through IT117 provide for ten different product/service IDs for each item. For example: Case, Color, Drawing No., U.P.C. No., ISBN No., Model No., or SKU

Example:

```
IT1*001*5*EA*20.00*PE*BP*22750111*PO*SMN650311*CH*US*PD*BRACKET*VP*16-
115*RN*889565-12340NC
```

No = Consecutive segment number
MaxOcc = Maximum occurrence of the segment/group
Counter = Counter of segment/group within the standard

St=Status
X12: M=Mandatory, C=Conditional, O=Optional
User specific: R=Required, O=Optional, D=Dependent, N=Not used

Counter	No	Tag	St	MaxOcc	Level	Name
0180		SAC	O	25	2	SAC
To request or identify a service, promotion, allowance, or charge; to specify the amount or percentage for the service, promotion, allowance, or charge						
0180	26	SAC	M	1	2	Service, Promotion, Allowance, or Charge Information

Standard			Implementation	
Ref.	Id	Name	St Format	Usage / Remark
SAC 01	248	Allowance or Charge Indicator	M ID 1/1	Code which indicates an allowance or charge for the service specified A Allowance C Charge
SAC 02	1300	Service, Promotion, Allowance, or Charge Code	R ID 4/4	Code identifying the service, promotion, allowance, or charge B750 Core Charge C310 Discount
SAC 05	610	Amount	R N2 1/15	Monetary amount
SAC 15	352	Description	C AN 1/80	A free-form description to clarify the related data elements and their content

Remark:
USE ONLY FOR ADDITIONAL CHARGES APPLIED AT LINE-LEVEL. MOST VOLVO ADDITIONAL CHARGES ARE APPLIED AT SUMMARY LEVEL

Example:
SAC*C*B750***30000*****CORE CHARGE <-- No decimal point in amount; assumed 2 decimals

No = Consecutive segment number
MaxOcc = Maximum occurrence of the segment/group
Counter = Counter of segment/group within the standard

St=Status
X12: M=Mandatory, C=Conditional, O=Optional
User specific: R=Required, O=Optional, D=Dependent, N=Not used

Counter	No	Tag	St	MaxOcc	Level	Name
0010	27	TDS	M	1	0	Total Monetary Value Summary

Standard			Implementation	
Ref.	Id	Name	St Format	Usage / Remark
TDS01	610	Amount	M N2 1/15	Monetary amount

Remark:

To specify the total invoice discounts and amounts

TDS01 is the total amount of invoice (including charges, less allowances) before terms discount (if discount is applicable)

Gross Total Amount of line items, additional charges, and taxes.
No decimal point; assumed 2-decimal positions

Example:

TDS*197633 <-- No decimal point in amount; assumed 2 decimal positions

No = Consecutive segment number
MaxOcc = Maximum occurrence of the segment/group
Counter = Counter of segment/group within the standard

St=Status
X12: M=Mandatory, C=Conditional, O=Optional
User specific: R=Required, O=Optional, D=Dependent, N=Not used

Counter	No	Tag	St	MaxOcc	Level	Name
0020	28	TXI	O	10	1	Tax Information

Standard			Implementation	
Ref.	Id	Name	St Format	Usage / Remark
TXI 01	963	Tax Type Code	M ID 2/2	Code specifying the type of tax GS Goods and Services Tax Canadian value-added tax. If charging this tax, Canadian law requires that the associated tax ID be included in the above REF:4O segment. If the tax ID is not included in the REF:4O segment and this code is used, your invoice will be rejected LT Local Sales Tax (All Applicable Sales Taxes by Taxing Authority Below the State Level) If charging this tax, Canadian law requires that the associated tax ID be included in the above REF:3S segment. If the tax ID is not included in the REF:3S segment and this code is used, your invoice will be rejected
TXI 02	782	Monetary Amount	R R 1/18	

Remark:

- 1 At least one of TXI02 TXI03 or TXI06 is required.
- 2 If either TXI04 or TXI05 is present, then the other is required.
- 3 If TXI08 is present, then TXI03 is required.

- 1 TXI02 is the monetary amount of the tax.
- 2 TXI03 is the tax percent expressed as a decimal.
- 3 TXI07 is a code indicating the relationship of the price or amount to the associated segment.

USE FOR TAXES APPLIED AT SUMMARY-LEVEL. MOST ALLOWED VOLVO TAXES ARE CHARGED AT THIS SUMMARY LEVEL

Example:

```
TXI*GS*0.52    <-- Include decimal point; 2 decimal places
TXI*LT*1.04    <-- Include decimal point; 2 decimal places
```

No = Consecutive segment number
 MaxOcc = Maximum occurrence of the segment/group
 Counter = Counter of segment/group within the standard

St=Status
 X12: M=Mandatory, C=Conditional, O=Optional
 User specific: R=Required, O=Optional, D=Dependent, N=Not used

Counter	No	Tag	St	MaxOcc	Level	Name
0040		SAC	O	25	1	SAC
0040	29	SAC	M	1	1	Service, Promotion, Allowance, or Charge Information

Standard			Implementation	
Ref.	Id	Name	St Format	Usage / Remark
SAC 01	248	Allowance or Charge Indicator	M ID 1/1	Code which indicates an allowance or charge for the service specified A Allowance C Charge
SAC 02	1300	Service, Promotion, Allowance, or Charge Code	R ID 4/4	Code identifying the service, promotion, allowance, or charge A010 Absolute Minimum Charge A122 Additional Tariff Classifications A320 Air Transportation Charge B750 Core Charge C040 Delivery C310 Discount C680 Environmental Protection Service D240 Freight D500 Handling D540 Hazardous Materials Handling Fee - Domestic D900 Installation E190 Labor Charges E820 Non-returnable Containers E890 Ocean Freight F050 Other (See related description) F155 Packaging F160 Painting (Primer or Finish) F650 Preparation G290 Regulatory Fee G470 Restocking Charge G510 Returnable Container G530 Rework G760 Set-up G920 Sleeving H080 Special Freight Supplements H090 Special Handling H110 Special Packaging H200 Special Use H550 Surcharge I110 Tooling I590 Warranties R060 Packing, Crating, and Handling Charge
SAC 05	610	Amount	R N2 1/15	Monetary amount
SAC 15	352	Description	C AN 1/80	A free-form description to clarify the related data elements and their content

Remark:

To request or identify a service, promotion, allowance, or charge; to specify the amount or percentage for the service, promotion, allowance, or charge

Example:

SAC*C*D240***908*****FREIGHT CHARGES <-- No decimal point in amount; assumed 2 decimals

No = Consecutive segment number
MaxOcc = Maximum occurrence of the segment/group
Counter = Counter of segment/group within the standard

St=Status
X12: M=Mandatory, C=Conditional, O=Optional
User specific: R=Required, O=Optional, D=Dependent, N=Not used

Counter	No	Tag	St	MaxOcc	Level	Name
---------	----	-----	----	--------	-------	------

0070 30 **CTT** R 1 0 Transaction Totals

Standard			Implementation	
Ref.	Id	Name	St Format	Usage / Remark
CTT 01	354	Number of Line Items	M NO 1/6	Total number of line items in the transaction set
CTT 02	347	Hash Total	R R 1/10	Sum of the product quantity (Field 358) times the unit price (Field 212) for each line. All values in the data element will be summed without regard to decimal points (explicit or implicit) or signs. The sum total of all extended line items (excluding additional charges and taxes.) This represents the total "taxable" amount if taxes are applied. Include decimal point; 2 positions

Remark:

To transmit a hash total for a specific element in the transaction set

This segment is intended to provide hash totals to validate transaction completeness and correctness

Example:

CTT*71*1882.13 <-- Include decimal point in amount

No = Consecutive segment number
 MaxOcc = Maximum occurrence of the segment/group
 Counter = Counter of segment/group within the standard

St=Status
 X12: M=Mandatory, C=Conditional, O=Optional
 User specific: R=Required, O=Optional, D=Dependent, N=Not used

Counter	No	Tag	St	MaxOcc	Level	Name
0080	31	SE	M	1	0	Transaction Set Trailer

Standard			Implementation	
Ref.	Id	Name	St Format	Usage / Remark
SE 01	96	Number of Included Segments	M NO 1/10	Total number of segments included in a transaction set including ST and SE segments
SE 02	329	Transaction Set Control Number	M AN 4/9	Identifying control number that must be unique within the transaction set functional group assigned by the originator for a transaction set

Remark:

To indicate the end of the transaction set and provide the count of the transmitted segments (including the beginning (ST) and ending (SE) segments)

SE is the last segment of each transaction set

Example:

SE*25*2575575

No = Consecutive segment number
 MaxOcc = Maximum occurrence of the segment/group
 Counter = Counter of segment/group within the standard

St=Status
 X12: M=Mandatory, C=Conditional, O=Optional
 User specific: R=Required, O=Optional, D=Dependent, N=Not used