

Volvo's Inventory Report Message



INVENTORY REPORT MESSAGE

Volvo's Implementation Guidelines
(INVRPT)
Version 1;Revision 0

VOLVO INVENTORY REPORT

UN/EDIFACT Message: Segment details

GENERAL

This Volvo Inventory Report specification is a user profile built on Edi guide ``STOACT/INVRPT W2R1 Specified by Odette.

AB Volvo will use this specification in future implementations of EDI Inventory Report replacing old Odette Stoact message.

This specification covers 3 different business cases. **Actual quantity of consignment stock, Movement into consignment stock and Movement out of consignment stock**, it covers a number of options. The use of these options is dependent on the local conditions, the requirements in each individual relation between a supplier and Final User at Volvo. Before implementing this specification, it is important to analyse the current needs and to decide whether the options are applicable or not.

This specification allows you to send all scenarios mentioned above in the same EDI message. A strong recommendation are to separate Actual quantity with movement in separate EDI files.

Document No:	9658-539201-04
Issued by:	Volvo IT, dept 9658
Approved by:	Volvo's EDItech
Date:	2008-02-20
Application area:	Stock Control by Volvo units in Europe
Validity:	Until further notice

VOLVO INVENTORY REPORT

UN/EDIFACT Message: Segment details

REVISIONS

Date	Issued by	Revision	Remarks
2008-02-19	Volvo IT 9658	1.0	First published revision

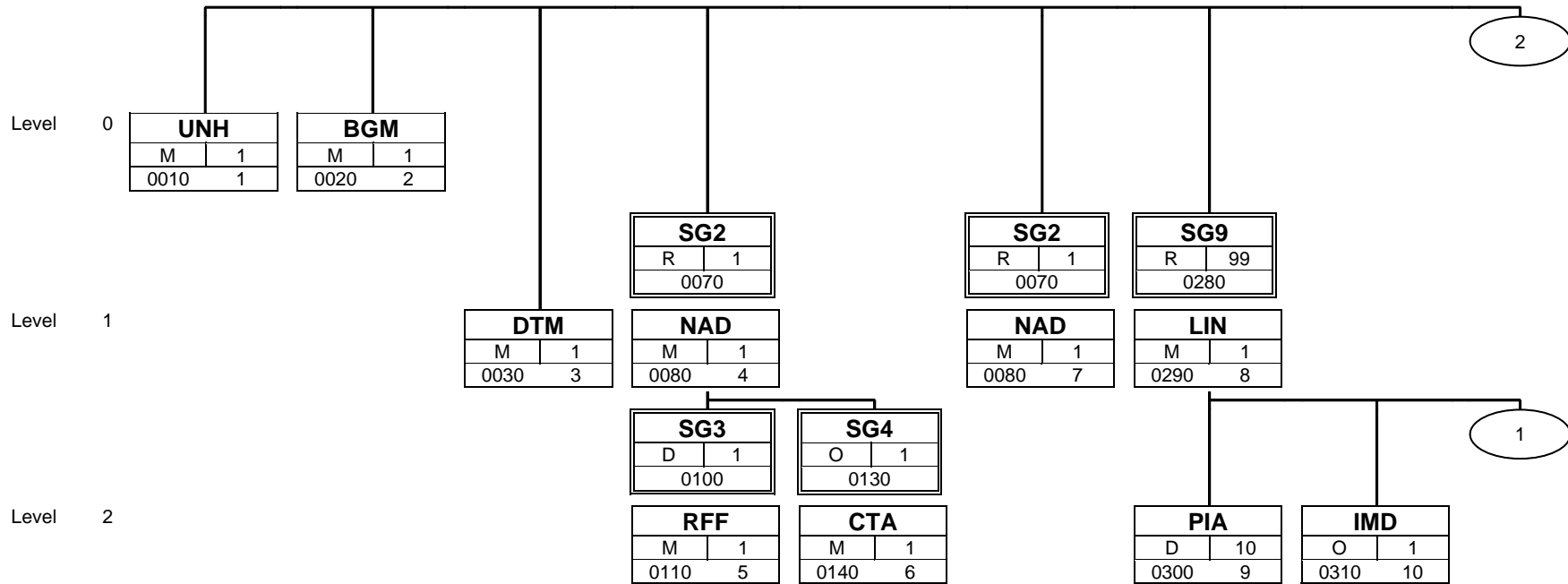
VOLVO INVENTORY REPORT

UN/EDIFACT Message: Segment details

REVISIONS.....	3
BRANCHING DIAGRAM.....	5
SEGMENT DETAILS	9
UNH MESSAGE HEADERS.....	9
BGM Beginning of message	10
DTM Date/time/period	11
NAD Inventory Controller.....	12
RFF Inventory controllers reference number(s).....	14
CTA Inventory controllers coordination contact.....	15
NAD Warehouse keeper	16
LIN Line item section.....	18
PIA Suppliers articles number.....	19
IMD Item description	21
RFF Reference	22
QTY Inventory Balance.....	23
INV Inventory balance.....	24
DTM Date/time/period.....	25
NAD Seller.....	26
QTY Inventory movement.....	28
INV Inventory movement	29
DTM Booking date and time	30
NAD Buyer	32
NAD Consignee	34
LOC Location	35
NAD Seller.....	36
RFF Reference	38
DTM Date and time	39
CPS Consignment packing sequence.....	40
PAC Package	41
MEA Measurements	43
QTY Quantity	44
PCI Package Identification	45
RFF Master label.....	47
DTM Date and time	48
GIN Goods identity number.....	49
UNT Message Trailor	50
UNZ Interchange Trailor	51

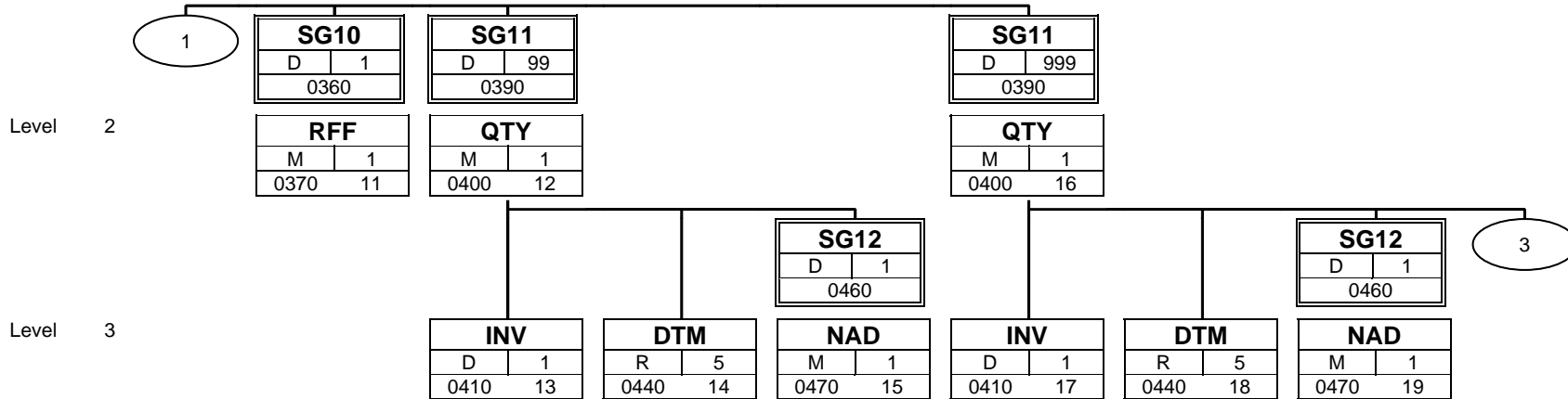
VOLVO INVENTORY REPORT

UN/EDIFACT Message: Segment details



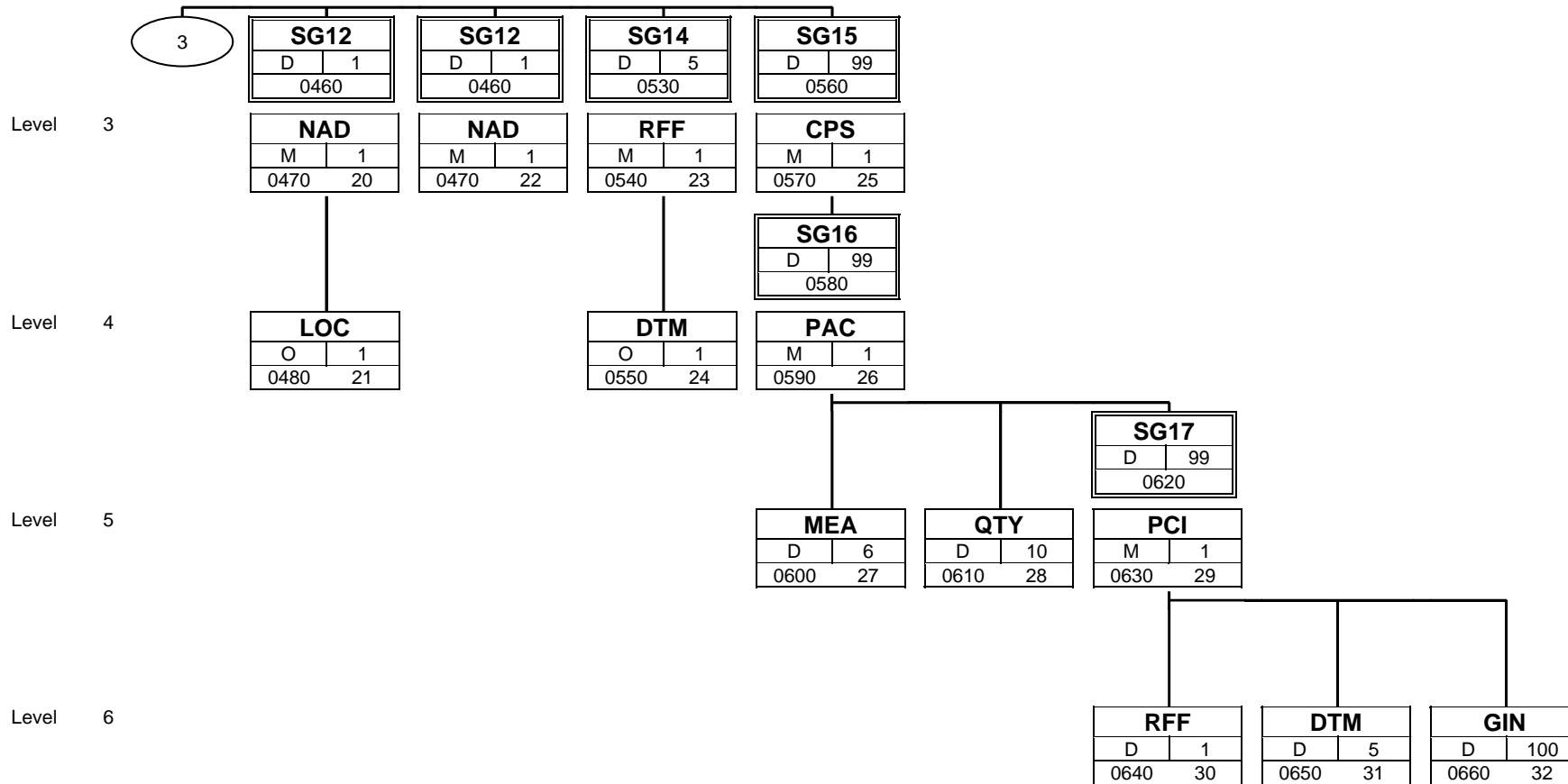
VOLVO INVENTORY REPORT

UN/EDIFACT Message: Segment details



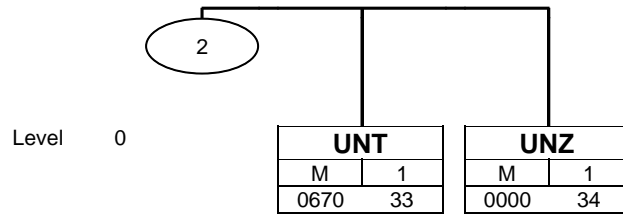
VOLVO INVENTORY REPORT

UN/EDIFACT Message: Segment details



VOLVO INVENTORY REPORT

UN/EDIFACT Message: Segment details



VOLVO INVENTORY REPORT

UN/EDIFACT Message: Segment details

Segment: UNH
 Seq. No.: 1 Level: 0 **MESSAGE HEADER**
 Status: M Max. Occ.: 1
 Counter: 0010

Name: MESSAGE HEADER

Description of segment:

UN/EDIFACT			Implementation	
	Name	St Format	St Format	Use / Remarks
UNH				
0062	Message reference number	M an..14	M an..14	Message reference number
S009	MESSAGE IDENTIFIER	M	M	
0065	Message type identifier	M an..6	M an..6	INVRPT = Inventory report message
0052	Message type version number	M an..3	M an..3	D = Draft version/UN/EDIFACT Directory
0054	Message type release number	M an..3	M an..3	96A = Release 1996 - A
0051	Controlling agency	M an..2	M an..2	UN = UN/ECE/TRADE/WP.4
0057	Association assigned code	C an..6	C an..6	A05021 = STOACT/INVRPT V2R1
0068	Common access reference	C an..35	C an..35	Common access reference
S010	STATUS OF THE TRANSFER	C	C	
0070	Sequence message transfer number	M n..2	M n..2	Message sequence number
0073	First/last sequence message transfer indication	C a1	C a1	First/last message indicator

Remark:

Example:

VOLVO INVENTORY REPORT

UN/EDIFACT Message: Segment details

Segment: **BGM**
 Seq. No.: 2 Level: 0 **Beginning of message**
 Status: M Max. Occ.: 1
 Counter: 0020

Name: Stock Report

Description of segment:

UN/EDIFACT			Implementation	
	Name	St Format	St Format	Use / Remarks
BGM				
C002	Document/message name	C	R	
1001	Document/message name, coded	C an..3	R an..3	Type Of Stock Report Coded 20 = Inventory movement 21 = Inventory balance 22 = Inventory movement and balance
1131	Code list qualifier	C an..3	N	- not used
3055	Code list responsible agency, coded	C an..3	C an..3	
1000	Document/message name	C an..35	N	- not used
1004	Document/message number	C an..35	R an..17	10 = ODETTE Stock Report Number Unique identifier of a document
1225	Message function, coded	C an..3	N	not used
4343	Response type, coded	C an..3	N	not used

Remark:
Stock Report

Example:
BGM+21+123456'

VOLVO INVENTORY REPORT

UN/EDIFACT Message: Segment details

Segment: DTM
 Seq. No.: 3 Level: 1 **Date/time/period**
 Status: M Max. Occ.: 1
 Counter: 0030

Name: Stock Report Date/Time

Description of segment:

UN/EDIFACT			Implementation	
	Name	St Format	St Format	Use / Remarks
DTM				
C507	Date/time/period	M	M	
2005	Date/time/period qualifier	M an..3	M an..3	Document date is perceived as synonym also for the Stock Report date
2380	Date/time/period	C an..35	R an..14	182 = Issue date
2379	Date/time/period format qualifier	C an..3	R an..3	Stock Report Date/Time Coded
				203 = CCYYMMDDHHMM

Remark:
Stock Report Date/Time

Example:
DTM+182:200711071223:203'

VOLVO INVENTORY REPORT

UN/EDIFACT Message: Segment details

Group: **SG2** Status: R Max. Occ.: 1 Inventory controller
Inventory controller

Segment: **NAD** Seq. No.: 4 Level: 1 **Name and address**
Status: M Max. Occ.: 1
Counter: 0080

Name: **Inventory controller**

Description of segment:

UN/EDIFACT		Implementation		
	Name	St Format	St Format	Use / Remarks
NAD				
3035	Party qualifier	M an..3	M an..3	GM = Inventory controller
C082	Party identification details	C	R	
3039	Party id. identification	M an..35	M an..20	Inventory Controller's Identification Number Volvo's Parma ID
1131	Code list qualifier	C an..3	N	- not used
3055	Code list responsible agency, coded	C an..3	R an..3	
C058	Name and address	C	N	92 = Assigned by buyer or buyer's agent not used
3124	Name and address line	M an..35	N	not used
3124	Name and address line	C an..35	N	not used
3124	Name and address line	C an..35	N	not used
3124	Name and address line	C an..35	N	not used
3124	Name and address line	C an..35	N	- not used
C080	Party name	C	D	If available
3036	Party name	M an..35	M an..35	Inventory Controller's Name
3036	Party name	C an..35	N	not used
3036	Party name	C an..35	N	not used
3036	Party name	C an..35	N	not used
3036	Party name	C an..35	N	not used
3045	Party name format, coded	C an..3	N	not used
C059	Street	C	N	not used
3042	Street and number/p.o. box	M an..35	N	not used
3042	Street and number/p.o. box	C an..35	N	not used
3042	Street and number/p.o. box	C an..35	N	not used
3042	Street and number/p.o. box	C an..35	N	not used
3164	City name	C an..35	N	not used
3229	Country sub-entity identification	C an..9	N	not used
3251	Postcode identification	C an..9	N	not used
3207	Country, coded	C an..3	O a2	Inventory Controller's Country Code

Inventory Report based on INVRPT / Odette EDIFACT D.96A

VOLVO INVENTORY REPORT

UN/EDIFACT Message: Segment details

Remark:

Inventory controller

Example:

NAD+GM+1234567:::92++Company GMBH+++++DE'

VOLVO INVENTORY REPORT

UN/EDIFACT Message: Segment details

Group: **SG2** Status: R Max. Occ.: 1 Inventory controller

Group: **SG3** Status: D Max. Occ.: 1 Account Number

Use when available
Account Number

Segment: **RFF** Seq. No.: 5 Level: 2 **Reference**
 Status: M Max. Occ.: 1
 Counter: 0110

Name: Account Number

Description of segment:

UN/EDIFACT			Implementation	
	Name	St Format	St Format	Use / Remarks
RFF				
C506	Reference	M	M	
1153	Reference qualifier	M an..3	M an..3	
1154	Reference number	C an..35	R an..17	ADE = Account number Inventory Controller's Internal Account Number
1156	Line number	C an..6	N	not used
4000	Reference version number	C an..35	N	not used

Remark:
Account Number

Example:
RFF+ADE:556013970001'

VOLVO INVENTORY REPORT

UN/EDIFACT Message: Segment details

Group: **SG2** Status: R Max. Occ.: 1 Inventory controller

Group: **SG4** Status: O Max. Occ.: 1 Coordination contact
Coordination contact

Segment: **CTA** Seq. No.: 6 Level: 2 **Contact information**
Status: M Max. Occ.: 1
Counter: 0140

Name: Coordination contact

Description of segment:

UN/EDIFACT			Implementation	
	Name	St Format	St Format	Use / Remarks
CTA				
3139	Contact function, coded	C an..3	R an..3	AH = Coordination contact
C056	Department or employee details	C	R	
3413	Department or employee identification	C an..17	R an..17	Inventory Controller's Department Or Employee Coded
3412	Department or employee	C an..35	D an..35	Inventory Controller's Department Or Employee If needed

Remark:
Coordination contact

Example:
CTA+AH+Dept XXXX:V012345'

VOLVO INVENTORY REPORT

UN/EDIFACT Message: Segment details

Group: **SG2** Status: R Max. Occ.: 1 Warehouse keeper
Warehouse keeper

Segment: **NAD** Seq. No.: 7 Level: 1 Name and address
Status: M Max. Occ.: 1
Counter: 0080

Name: Warehouse keeper

Description of segment:

UN/EDIFACT		Implementation		
	Name	St Format	St Format	Use / Remarks
NAD				
3035	Party qualifier	M an..3	M an..3	WH = Warehouse keeper
C082	Party identification details	C	R	
3039	Party id. identification	M an..35	M an..20	Warehouse Manager's Identification Number
1131	Code list qualifier	C an..3	N	- not used
3055	Code list responsible agency, coded	C an..3	R an..3	
C058	Name and address	C	N	92 = Assigned by buyer or buyer's agent not used
3124	Name and address line	M an..35	N	not used
3124	Name and address line	C an..35	N	not used
3124	Name and address line	C an..35	N	not used
3124	Name and address line	C an..35	N	not used
3124	Name and address line	C an..35	N	not used
C080	Party name	C	D	If available
3036	Party name	M an..35	M an..35	Warehouse Keeper's Name
3036	Party name	C an..35	N	not used
3036	Party name	C an..35	N	not used
3036	Party name	C an..35	N	not used
3036	Party name	C an..35	N	not used
3045	Party name format, coded	C an..3	N	not used
C059	Street	C	N	not used
3042	Street and number/p.o. box	M an..35	N	not used
3042	Street and number/p.o. box	C an..35	N	not used
3042	Street and number/p.o. box	C an..35	N	not used
3042	Street and number/p.o. box	C an..35	N	not used
3164	City name	C an..35	N	not used
3229	Country sub-entity identification	C an..9	N	not used
3251	Postcode identification	C an..9	N	not used
3207	Country, coded	C an..3	OOa2	Warehouse Keeper's Country Code

Remark:

Inventory Report based on INVRPT / Odette EDIFACT D.96A

VOLVO INVENTORY REPORT

UN/EDIFACT Message: Segment details

Warehouse keeper

Example:

NAD+WH+1234568::92++Company SWE++++SE'

VOLVO INVENTORY REPORT

UN/EDIFACT Message: Segment details

Group: **SG9** Status: R Max. Occ.: 99 Article
Article

Segment: **LIN** Seq. No.: 8 Level: 1 Line item
Status: M Max. Occ.: 1
Counter: 0290

Name: Buyer's Article Number

Description of segment:

UN/EDIFACT			Implementation	
	Name	St Format	St Format	Use / Remarks
LIN				
1082	Line item number	C n..6	R n..6	Line Number
1229	Action request/notification, coded	C an..3	N	not used
C212	Item number identification	C	R	
7140	Item number	C an..35	R an..35	Article Number
7143	Item number type, coded	C an..3	R an..3	
				IN = Buyers item number
1131	Code list qualifier	C an..3	N	not used
3055	Code list responsible agency, coded	C an..3	N	not used
C829	Sub-line information	C	N	not used
5495	Sub-line indicator, coded	C an..3	N	not used
1082	Line item number	C n..6	N	not used
1222	Configuration level	C n..2	D n..2	Configuration Level
				0 = No level (in single-article package case)
7083	Configuration, coded	C an..3	N	not used

Remark:
Buyer's Article Number

Example:
LIN+1++1234567890:IN'

VOLVO INVENTORY REPORT

UN/EDIFACT Message: Segment details

Group: **SG9** Status: R Max. Occ.: 99 Article

Segment: **PIA** Seq. No.: 9 Level: 2 **Additional product id**
 Status: D Max. Occ.: 10
 Counter: 0300

Name: **Supplier's Article Number**

Description of segment:

UN/EDIFACT			Implementation	
	Name	St Format	St Format	Use / Remarks
PIA				
4347	Product id. function qualifier	M an..3	M an..3	1 = Additional identification
C212	Item number identification	M	M	
7140	Item number	C an..35	R an..35	
7143	Item number type, coded	C an..3	C an..3	
				SA = Supplier's article number
1131	Code list qualifier	C an..3	N	not used
3055	Code list responsible agency, coded	C an..3	N	not used
C212	Item number identification	C	N	not used
7140	Item number	C an..35	N	not used
7143	Item number type, coded	C an..3	N	not used
1131	Code list qualifier	C an..3	N	not used
3055	Code list responsible agency, coded	C an..3	N	not used
C212	Item number identification	C	N	not used
7140	Item number	C an..35	N	not used
7143	Item number type, coded	C an..3	N	not used
1131	Code list qualifier	C an..3	N	not used
3055	Code list responsible agency, coded	C an..3	N	not used
C212	Item number identification	C	N	not used
7140	Item number	C an..35	N	not used
7143	Item number type, coded	C an..3	N	not used
1131	Code list qualifier	C an..3	N	not used
3055	Code list responsible agency, coded	C an..3	N	not used
C212	Item number identification	C	N	not used
7140	Item number	C an..35	N	not used
7143	Item number type, coded	C an..3	N	not used
1131	Code list qualifier	C an..3	N	not used
3055	Code list responsible agency, coded	C an..3	N	not used

Remark:

Use when available

VOLVO INVENTORY REPORT

UN/EDIFACT Message: Segment details

Supplier's Article Number

Example:

PIA+1+987654321:SA'

VOLVO INVENTORY REPORT

UN/EDIFACT Message: Segment details

Group: **SG9** Status: R Max. Occ.: 99 Article

Segment: **IMD** Seq. No.: 10 Level: 2 **Item description**
 Status: O Max. Occ.: 1
 Counter: 0310

Name: **Article Description**

Description of segment:

UN/EDIFACT			Implementation	
	Name	St Format	St Format	Use / Remarks
IMD				
7077	Item description type, coded	C an..3	N	- not used
7081	Item characteristic, coded	C an..3	N	- not used
C273	Item description	C	R	
7009	Item description identification	C an..17	N	- not used
1131	Code list qualifier	C an..3	N	- not used
3055	Code list responsible agency, coded	C an..3	N	- not used
7008	Item description	C an..35	R an..35	Article Description (Line 1)
7008	Item description	C an..35	O an..35	Article Description (Line 2)
3453	Language, coded	C an..3	N	- not used
7383	Surface/layer indicator, coded	C an..3	N	- not used

Remark:
Article Description

Example:
IMD++++:::left brake mount'

VOLVO INVENTORY REPORT

UN/EDIFACT Message: Segment details

Group: **SG9** Status: R Max. Occ.: 99 Article
Group: **SG10** Status: D Max. Occ.: 1 Order number (purchase)
 Order number (purchase)
Segment: **RFF** Seq. No.: 11 Level: 2 **Reference**
 Status: M Max. Occ.: 1
 Counter: 0370

Name: Order number (purchase)

Description of segment:

UN/EDIFACT			Implementation	
	Name	St Format	St Format	Use / Remarks
RFF				
C506	Reference	M	M	
1153	Reference qualifier	M an..3	M an..3	ON = Order number (purchase)
1154	Reference number	C an..35	R an..17	Order Number
1156	Line number	C an..6	N	not used
4000	Reference version number	C an..35	N	not used

Remark:
Order number (purchase)

Example:
RFF+ON: 333444 !

VOLVO INVENTORY REPORT

UN/EDIFACT Message: Segment details

Group: **SG9** Status: R Max. Occ.: 99 Article

Group: **SG11** Status: D Max. Occ.: 99 Inventory Balance
Inventory Balance

Segment: **QTY** Seq. No.: 12 Level: 2 **Quantity**
Status: M Max. Occ.: 1
Counter: 0400

Name: Inventory Balance Quantity

Description of segment:

UN/EDIFACT			Implementation	
	Name	St Format	St Format	Use / Remarks
QTY				
C186	Quantity details	M	M	
6063	Quantity qualifier	M an..3	M an..3	Opening/Closing Balance Indicator 157 = Opening stock balance indicator 158 = Closing stock balance indicator
6060	Quantity	M n..15	M n..15	Inventory Balance Quantity
6411	Measure unit qualifier	C an..3	R an..3	Measure Unit Specifier Inventory Balance

Remark:

Inventory Balance Quantity

In case of Inventory Balance only message (value 21 in BGM.1001), the only valid value of quantity qualifier is 158.

Value 157 is to be used only when value 22 in BGM.1001 is used, implying, for each article: an opening stock balance, all stock movement during the period (it is possible for some articles not to have any stock movement), a closing stock balance.

Example:

QTY+157:1:EA'

VOLVO INVENTORY REPORT

UN/EDIFACT Message: Segment details

Group: **SG9** Status: R Max. Occ.: 99 Article

Group: **SG11** Status: D Max. Occ.: 99 Inventory Balance

Segment: **INV** Seq. No.: 13 Level: 3 **Inventory management related details**
Status: D Max. Occ.: 1
Counter: 0410

Name: Inventory Balance management related details

Description of segment:

UN/EDIFACT		Implementation		
	Name	St Format	St Format	Use / Remarks
INV				
4501	Inventory movement direction, coded	C an..3	N	not used
7491	Type of inventory affected, coded	C an..3	R an..3	1 = Accepted product inventory 2 = Damaged product inventory
4499	Reason for inventory movement, coded	C an..3	N	not used
4503	Inventory balance method, coded	C an..3	N	not used
C522	Instruction	C	N	not used
4403	Instruction qualifier	M an..3	N	not used
4401	Instruction, coded	C an..3	N	not used
1131	Code list qualifier	C an..3	N	not used
3055	Code list responsible agency, coded	C an..3	N	not used
4400	Instruction	C an..35	N	not used

Remark:

Inventory Balance management related details

Example:

INV++1 '

VOLVO INVENTORY REPORT

UN/EDIFACT Message: Segment details

Group: **SG9** Status: R Max. Occ.: 99 Article
Group: **SG11** Status: D Max. Occ.: 99 Inventory Balance
Segment: **DTM** Seq. No.: 14 Level: 3 **Date/time/period**
 Status: R Max. Occ.: 5
 Counter: 0440

Name: Inventory Balance Date/Time

Description of segment:

UN/EDIFACT			Implementation	
	Name	St Format	St Format	Use / Remarks
DTM				
C507	Date/time/period	M	M	
2005	Date/time/period qualifier	M an..3	M an..3	
2380	Date/time/period	C an..35	R an..14	257 = Calculation date
2379	Date/time/period format qualifier	C an..3	R an..3	Inventory Balance Date/Time
				203 = CCYYMMDDHHMM

Remark:
Inventory Balance Date/Time

Example:
DTM+257:200711071225:203'

VOLVO INVENTORY REPORT

UN/EDIFACT Message: Segment details

Group: **SG9** Status: R Max. Occ.: 99 Article
Group: **SG11** Status: D Max. Occ.: 99 Inventory Balance
Group: **SG12** Status: D Max. Occ.: 1 Seller
 Seller
Segment: **NAD** Seq. No.: 15 Level: 3 Name and address
 Status: M Max. Occ.: 1
 Counter: 0470

Name: Seller

Description of segment:

UN/EDIFACT			Implementation	
	Name	St Format	St Format	Use / Remarks
NAD				
3035	Party qualifier	M an..3	M an..3	SE = Seller
C082	Party identification details	C	R	
3039	Party id. identification	M an..35	M an..20	Seller's Identification Number
1131	Code list qualifier	C an..3	N	not used
3055	Code list responsible agency, coded	C an..3	R an..3	
				91 = Assigned by seller or seller's agent 92 = Assigned by buyer or buyer's agent
C058	Name and address	C	N	not used
3124	Name and address line	M an..35	N	not used
3124	Name and address line	C an..35	N	not used
3124	Name and address line	C an..35	N	not used
3124	Name and address line	C an..35	N	not used
3124	Name and address line	C an..35	N	not used
C080	Party name	C	D	If available
3036	Party name	M an..35	M an..35	Seller's Name
3036	Party name	C an..35	N	not used
3036	Party name	C an..35	N	not used
3036	Party name	C an..35	N	not used
3036	Party name	C an..35	N	not used
3045	Party name format, coded	C an..3	N	not used
C059	Street	C	N	not used
3042	Street and number/p.o. box	M an..35	N	not used
3042	Street and number/p.o. box	C an..35	N	not used
3042	Street and number/p.o. box	C an..35	N	not used
3042	Street and number/p.o. box	C an..35	N	not used
3164	City name	C an..35	N	not used

Inventory Report based on INVRPT / Odette EDIFACT D.96A

Document Number

26

Issue: 1.0 Dated:2008-02-19

Generated by GEFEG EDIFIX®

VOLVO INVENTORY REPORT

UN/EDIFACT Message: Segment details

UN/EDIFACT			Implementation	
	Name	St Format	St Format	Use / Remarks
3229	Country sub-entity identification	C an..9	N	not used
3251	Postcode identification	C an..9	N	not used
3207	Country, coded	C an..3	O a2	Seller's Country Coded

Remark:

Seller

Example:

NAD+SE+1234569::92++Company GMBH+++++DE'

VOLVO INVENTORY REPORT

UN/EDIFACT Message: Segment details

Group: **SG9** Status: R Max. Occ.: 99 Article

Group: **SG11** Status: D Max. Occ.: 999 Inventory movement
Inventory movement

Segment: **QTY** Seq. No.: 16 Level: 2 **Quantity**
Status: M Max. Occ.: 1
Counter: 0400

Name: **Inventory Movement Quantity**

Description of segment:

UN/EDIFACT			Implementation	
	Name	St Format	St Format	Use / Remarks
QTY				
C186	Quantity details	M	M	
6063	Quantity qualifier	M an..3	M an..3	
6060	Quantity	M n..15	M n..15	156 = Inventory movement quantity
6411	Measure unit qualifier	C an..3	O an..3	Inventory Movement Quantity Measure Unit Specifier Of Inventory Movement

Remark:
Inventory Movement Quantity

Example:
QTY+157:1:EA'

VOLVO INVENTORY REPORT

UN/EDIFACT Message: Segment details

Group: **SG9** Status: R Max. Occ.: 99 Article
Group: **SG11** Status: D Max. Occ.: 999 Inventory movement
Segment: **INV** Seq. No.: 17 Level: 3 **Inventory management related details**
 Status: D Max. Occ.: 1
 Counter: 0410

Name: Inventory management related details

Description of segment:

UN/EDIFACT			Implementation	
	Name	St Format	St Format	Use / Remarks
INV				
4501	Inventory movement direction, coded	C an..3	R an..3	Inventory Movement Direction Coded 1 = Movement out of inventory 2 = Movement into inventory
7491	Type of inventory affected, coded	C an..3	R an..3	Type of Inventory Movement affected Coded 1 = Accepted product inventory 2 = Damaged product inventory 3 = Bonded inventory 4 = Reserved inventory 5 = Products for Inspection
4499	Reason for inventory movement, coded	C an..3	R an..3	Stock Movement Reason Coded 1 = Reception 2 = Delivery 3 = Scrapped parts 4 = Difference 5 = Property transfer within warehouse 6 = Inventory recycling 7 = Reversal of previous movement 8 = Defects (technical) 9 = Commercial 10 = Conversion 11 = Consumption
4503	Inventory balance method, coded	C an..3	N	not used
C522	Instruction	C	N	not used
4403	Instruction qualifier	M an..3	N	not used
4401	Instruction, coded	C an..3	N	not used
1131	Code list qualifier	C an..3	N	not used
3055	Code list responsible agency, coded	C an..3	N	not used
4400	Instruction	C an..35	N	not used

Remark:

Example:

INV+1+1+1'

VOLVO INVENTORY REPORT

UN/EDIFACT Message: Segment details

Group: **SG9** Status: R Max. Occ.: 99 Article

Group: **SG11** Status: D Max. Occ.: 999 Inventory movement

Segment: **DTM** Seq. No.: 18 Level: 3 **Date/time/period**
Status: R Max. Occ.: 5
Counter: 0440

Name: Inventory Movement Date/Time

Description of segment:

UN/EDIFACT			Implementation	
	Name	St Format	St Format	Use / Remarks
DTM				
C507	Date/time/period	M	M	
2005	Date/time/period qualifier	M an..3	M an..3	
2380	Date/time/period	C an..35	R an..14	179 = Booking date/time
2379	Date/time/period format qualifier	C an..3	R an..3	Inventory Movement Date/Time
				102 = CCYYMMDD
				203 = CCYYMMDDHHMM

Remark:

Inventory Movement Date/Time
Inventory Movement Date/Time

Example:

D'TM+179:200711071225:203'

VOLVO INVENTORY REPORT

UN/EDIFACT Message: Segment details

Group: **SG9** Status: R Max. Occ.: 99 Article
Group: **SG11** Status: D Max. Occ.: 999 Inventory movement
Group: **SG12** Status: D Max. Occ.: 1 Buyer
 Buyer
Segment: **NAD** Seq. No.: 19 Level: 3 Name and address
 Status: M Max. Occ.: 1
 Counter: 0470

Name: Buyer

Description of segment:

UN/EDIFACT			Implementation	
	Name	St Format	St Format	Use / Remarks
NAD				
3035	Party qualifier	M an..3	M an..3	BY = Buyer
C082	Party identification details	C	R	
3039	Party id. identification	M an..35	M an..20	Buyer's Identification Number
1131	Code list qualifier	C an..3	N	not used
3055	Code list responsible agency, coded	C an..3	R an..3	
				91 = Assigned by seller or seller's agent 92 = Assigned by buyer or buyer's agent
C058	Name and address	C	N	not used
3124	Name and address line	M an..35	N	not used
3124	Name and address line	C an..35	N	not used
3124	Name and address line	C an..35	N	not used
3124	Name and address line	C an..35	N	not used
3124	Name and address line	C an..35	N	not used
C080	Party name	C	D	If available
3036	Party name	M an..35	M an..35	Buyer's Name
3036	Party name	C an..35	N	not used
3036	Party name	C an..35	N	not used
3036	Party name	C an..35	N	not used
3036	Party name	C an..35	N	not used
3045	Party name format, coded	C an..3	N	not used
C059	Street	C	N	not used
3042	Street and number/p.o. box	M an..35	N	not used
3042	Street and number/p.o. box	C an..35	N	not used
3042	Street and number/p.o. box	C an..35	N	not used
3042	Street and number/p.o. box	C an..35	N	not used
3164	City name	C an..35	N	not used

VOLVO INVENTORY REPORT

UN/EDIFACT Message: Segment details

UN/EDIFACT			Implementation	
	Name	St Format	St Format	Use / Remarks
3229	Country sub-entity identification	C an..9	N	not used
3251	Postcode identification	C an..9	N	not used
3207	Country, coded	C an..3	O 2	Buyer's Country Code

Remark:

Buyer

Example:

NAD+BY+1234561::92++Company GMBH+++++DE'

VOLVO INVENTORY REPORT

UN/EDIFACT Message: Segment details

Group: **SG9** Status: R Max. Occ.: 99 Article

Group: **SG11** Status: D Max. Occ.: 999 Inventory movement

Group: **SG12** Status: D Max. Occ.: 1 Consignee
Consignee

Segment: **NAD** Seq. No.: 20 Level: 3 Name and address
Status: M Max. Occ.: 1
Counter: 0470

Name: Consignee

Description of segment:

UN/EDIFACT			Implementation	
	Name	St Format	St Format	Use / Remarks
NAD				
3035	Party qualifier	M an..3	M an..3	CN = Consignee
C082	Party identification details	C	R	
3039	Party id. identification	M an..35	M an..20	Consignee's Identification Number
1131	Code list qualifier	C an..3	N	not used
3055	Code list responsible agency, coded	C an..3	R an..3	
				91 = Assigned by seller or seller's agent 92 = Assigned by buyer or buyer's agent
C058	Name and address	C	N	not used
3124	Name and address line	M an..35	N	not used
3124	Name and address line	C an..35	N	not used
3124	Name and address line	C an..35	N	not used
3124	Name and address line	C an..35	N	not used
3124	Name and address line	C an..35	N	not used
C080	Party name	C	D	If available
3036	Party name	M an..35	M an..35	Consignee's Name
3036	Party name	C an..35	N	not used
3036	Party name	C an..35	N	not used
3036	Party name	C an..35	N	not used
3036	Party name	C an..35	N	not used
3045	Party name format, coded	C an..3	N	not used
C059	Street	C	N	not used
3042	Street and number/p.o. box	M an..35	N	not used
3042	Street and number/p.o. box	C an..35	N	not used
3042	Street and number/p.o. box	C an..35	N	not used
3042	Street and number/p.o. box	C an..35	N	not used
3164	City name	C an..35	N	not used

VOLVO INVENTORY REPORT

UN/EDIFACT Message: Segment details

UN/EDIFACT			Implementation	
	Name	St Format	St Format	Use / Remarks
3229	Country sub-entity identification	C an..9	N	not used
3251	Postcode identification	C an..9	N	not used
3207	Country, coded	C an..3	O a2	Consignee's Country Code

Remark:

Consignee

Example:

NAD+CN+1234561::92++Company GMBH+++++DE'

VOLVO INVENTORY REPORT

UN/EDIFACT Message: Segment details

Group: **SG9** Status: R Max. Occ.: 99 Article
Group: **SG11** Status: D Max. Occ.: 999 Inventory movement
Group: **SG12** Status: D Max. Occ.: 1 Consignee
Segment: **LOC** Seq. No.: 21 Level: 4 **Place/location identification**
 Status: O Max. Occ.: 1
 Counter: 0480

Name: Place of discharge or internal place of destination

Description of segment:

UN/EDIFACT			Implementation	
	Name	St Format	St Format	Use / Remarks
LOC				
3227	Place/location qualifier	M an..3	R an..3	159 = Additional internal destination 11 = Place/port of discharge
C517	Location identification	C	R	
3225	Place/location identification	C an..25	R an..25	
1131	Code list qualifier	C an..3	N	not used
3055	Code list responsible agency, coded	C an..3	R an..3	
				92 = Assigned by buyer or buyer's agent
3224	Place/location	C an..70	O an..70	
C519	Related location one identification	C	N	not used
3223	Related place/location one identification	C an..25	N	not used
1131	Code list qualifier	C an..3	N	not used
3055	Code list responsible agency, coded	C an..3	N	not used
3222	Related place/location one	C an..70	N	not used
C553	Related location two identification	C	N	not used
3233	Related place/location two identification	C an..25	N	not used
1131	Code list qualifier	C an..3	N	not used
3055	Code list responsible agency, coded	C an..3	N	not used
3232	Related place/location two	C an..70	N	not used
5479	Relation, coded	C an..3	N	not used

Remark:

Place of discharge or internal place of destination

Example:

LOC+11+BORÅS : : 92 '

VOLVO INVENTORY REPORT

UN/EDIFACT Message: Segment details

Group: **SG9** Status: R Max. Occ.: 99 Article
Group: **SG11** Status: D Max. Occ.: 999 Inventory movement
Group: **SG12** Status: D Max. Occ.: 1 Seller
 Seller
Segment: **NAD** Seq. No.: 22 Level: 3 **Name and address**
 Status: M Max. Occ.: 1
 Counter: 0470

Name: Name and address

Description of segment:

UN/EDIFACT			Implementation	
	Name	St Format	St Format	Use / Remarks
NAD				
3035	Party qualifier	M an..3	M an..3	SE = Seller
C082	Party identification details	C	R	
3039	Party id. identification	M an..35	M an..20	Seller's Identification Number
1131	Code list qualifier	C an..3	N	- not used
3055	Code list responsible agency, coded	C an..3	R an..3	91 = Assigned by seller or seller's agent 92 = Assigned by buyer or buyer's agent
C058	Name and address	C	N	not used
3124	Name and address line	M an..35	N	not used
3124	Name and address line	C an..35	N	not used
3124	Name and address line	C an..35	N	not used
3124	Name and address line	C an..35	N	not used
3124	Name and address line	C an..35	N	not used
C080	Party name	C	D	If available
3036	Party name	M an..35	M an..35	Seller's Name
3036	Party name	C an..35	N	not used
3036	Party name	C an..35	N	not used
3036	Party name	C an..35	N	not used
3036	Party name	C an..35	N	not used
3036	Party name	C an..35	N	not used
3045	Party name format, coded	C an..3	N	not used
C059	Street	C	N	not used
3042	Street and number/p.o. box	M an..35	N	not used
3042	Street and number/p.o. box	C an..35	N	not used
3042	Street and number/p.o. box	C an..35	N	not used
3042	Street and number/p.o. box	C an..35	N	not used

VOLVO INVENTORY REPORT

UN/EDIFACT Message: Segment details

UN/EDIFACT			Implementation	
	Name	St Format	St Format	Use / Remarks
3164	City name	C an..35	N	not used
3229	Country sub-entity identification	C an..9	N	not used
3251	Postcode identification	C an..9	N	not used
3207	Country, coded	C an..3	O a2	Seller's Country Coded

Remark:

Example:

NAD+SE+1234569:::92++Company GMBH+++++DE '

VOLVO INVENTORY REPORT

UN/EDIFACT Message: Segment details

Group: **SG9** Status: R Max. Occ.: 99 Article

Group: **SG11** Status: D Max. Occ.: 999 Inventory movement

Group: **SG14** Status: D Max. Occ.: 5 References
References

Segment: **RFF** Seq. No.: 23 Level: 3 **Reference**
Status: M Max. Occ.: 1
Counter: 0540

Name: Document Number

Description of segment:

UN/EDIFACT			Implementation	
	Name	St Format	St Format	Use / Remarks
RFF				
C506	Reference	M	M	
1153	Reference qualifier	M an..3	M an..3	Document Type Coded AAK = Despatch advice number ACD = Additional reference number ACE = Related document number AGO = Sender's reference to the original message ALM = Previous delivery schedule number BO = Blanket order number ALK = Consignee's invoice number ON = Order number (purchase)
1154	Reference number	C an..35	R 17	Document Number
1156	Line number	C an..6	N	not used
4000	Reference version number	C an..35	N	not used

Remark:
Document Number

Example:
RFF+AAK: 333444 '

VOLVO INVENTORY REPORT

UN/EDIFACT Message: Segment details

Group: **SG9** Status: R Max. Occ.: 99 Article
Group: **SG11** Status: D Max. Occ.: 999 Inventory movement
Group: **SG14** Status: D Max. Occ.: 5 References
Segment: **DTM** Seq. No.: 24 Level: 4 **Date/time/period**
Status: O Max. Occ.: 1
Counter: 0550

Name: Document Date/Time

Description of segment:

UN/EDIFACT			Implementation	
	Name	St Format	St Format	Use / Remarks
DTM				
C507	Date/time/period	M	M	
2005	Date/time/period qualifier	M an..3	M an..3	
2380	Date/time/period	C an..35	R an..14	171 = Reference date/time
2379	Date/time/period format qualifier	C an..3	R an..3	Document Date/Time
				Specifier
				102 = CCYYMMDD
				203 = CCYYMMDDHHMM

Remark:
Document Date/Time

Example:
DTM+171:200711071225:203'

VOLVO INVENTORY REPORT

UN/EDIFACT Message: Segment details

Group: **SG9** Status: R Max. Occ.: 99 Article
Group: **SG11** Status: D Max. Occ.: 999 Inventory movement
Group: **SG15** Status: D Max. Occ.: 99 Sub-Line
 Sub-Line
Segment: **CPS** Seq. No.: 25 Level: 3 **Consignment packing sequence**
 Status: M Max. Occ.: 1
 Counter: 0570

Name: Consignment packing sequence

Description of segment:

UN/EDIFACT			Implementation	
	Name	St Format	St Format	Use / Remarks
CPS				
7164	Hierarchical id. number	M an..12	M n..6	Sub-Line Number
7166	Hierarchical parent id.	C an..12	N	not used
7075	Packaging level, coded	C an..3	R an..3	1 = Inner

Remark:

Example:

CPS+1+++1'

VOLVO INVENTORY REPORT

UN/EDIFACT Message: Segment details

Group: **SG9** Status: R Max. Occ.: 99 Article
Group: **SG11** Status: D Max. Occ.: 999 Inventory movement
Group: **SG15** Status: D Max. Occ.: 99 Sub-Line
Group: **SG16** Status: D Max. Occ.: 99 Package
 Package
Segment: **PAC** Seq. No.: 26 Level: 4 **Package**
 Status: M Max. Occ.: 1
 Counter: 0590

Name: Package

Description of segment:

UN/EDIFACT		Implementation		
	Name	St Format	St Format	Use / Remarks
PAC				
7224	Number of packages	C n..8	R n..6	Number Of Identical Packages
C531	Packaging details	C	N	not used
7075	Packaging level, coded	C an..3	N	not used
7233	Packaging related information, coded	C an..3	N	not used
7073	Packaging terms and conditions, coded	C an..3	N	not used
C202	Package type	C	D	Use when available
7065	Type of packages identification	C an..17	D an..17	Handling Unit/Package Type Identification
1131	Code list qualifier	C an..3	N	not used
3055	Code list responsible agency, coded	C an..3	R an..3	Code List Responsible Agency
				91 = Assigned by seller or seller's agent
				92 = Assigned by buyer or buyer's agent
7064	Type of packages	C an..35	D an..35	b.Handling Unit/Package Type
C402	Package type identification	C	N	not used
7077	Item description type, coded	M an..3	N	not used
7064	Type of packages	M an..35	N	not used
7143	Item number type, coded	C an..3	N	not used
7064	Type of packages	C an..35	N	not used
7143	Item number type, coded	C an..3	N	not used
C532	Returnable package details	C	N	not used
8395	Returnable package freight payment responsibility, coded	C an..3	N	not used
8393	Returnable package load contents, coded	C an..3	N	not used

Remark:

Inventory Report based on INVRPT / Odette EDIFACT D.96A

Document Number

41

Issue: 1.0 Dated:2008-02-19

Generated by GEFEG EDIFIX®

VOLVO INVENTORY REPORT

UN/EDIFACT Message: Segment details

Example:

PAC+20++123456::92:L4'

VOLVO INVENTORY REPORT

UN/EDIFACT Message: Segment details

Group: **SG9** Status: R Max. Occ.: 99 Article
Group: **SG11** Status: D Max. Occ.: 999 Inventory movement
Group: **SG15** Status: D Max. Occ.: 99 Sub-Line
Group: **SG16** Status: D Max. Occ.: 99 Package
Segment: **MEA** Seq. No.: 27 Level: 5 **Measurements**
 Status: D Max. Occ.: 6
 Counter: 0600

Name: Measurements

Description of segment:

UN/EDIFACT			Implementation	
	Name	St Format	St Format	Use / Remarks
MEA				
6311	Measurement application qualifier	M an..3	M an..3	AAY = Package measurement
C502	Measurement details	C	D	
6313	Measurement dimension, coded	C an..3	C an..3	G = Gross weight AAL = Net weight LN = Length dimension WD = Width dimension HT = Height dimension
6321	Measurement significance, coded	C an..3	N	not used
6155	Measurement attribute, coded	C an..3	N	not used
6154	Measurement attribute	C an..70	N	not used
C174	Value/range	C	R	
6411	Measure unit qualifier	M an..3	M an..3	Measure Unit Specifier Inventory Balance
6314	Measurement value	C n..18	R n..18	
6162	Range minimum	C n..18	N	not used
6152	Range maximum	C n..18	N	not used
6432	Significant digits	C n..2	N	not used
7383	Surface/layer indicator, coded	C an..3	N	not used

Remark:

Example:

MEA+AAY+G+9+1S'

VOLVO INVENTORY REPORT

UN/EDIFACT Message: Segment details

Group: **SG9** Status: R Max. Occ.: 99 Article
Group: **SG11** Status: D Max. Occ.: 999 Inventory movement
Group: **SG15** Status: D Max. Occ.: 99 Sub-Line
Group: **SG16** Status: D Max. Occ.: 99 Package
Segment: **QTY** Seq. No.: 28 Level: 5 **Quantity**
 Status: D Max. Occ.: 10
 Counter: 0610

Name: Quantity of articles in package

Description of segment:

UN/EDIFACT			Implementation	
	Name	St Format	St Format	Use / Remarks
QTY				
C186	Quantity details	M	R	
6063	Quantity qualifier	M an..3	M an..3	
6060	Quantity	M n..15	M n..10	52 = Quantity per pack
6411	Measure unit qualifier	C an..3	O an..3	Quantity Of Articles In Package Quantity of Articles In Package Measure Unit

Remark:

Quantity of articles in package

Example:

QTY+52:10:EA'

VOLVO INVENTORY REPORT

UN/EDIFACT Message: Segment details

Group: **SG9** Status: R Max. Occ.: 99 Article
Group: **SG11** Status: D Max. Occ.: 999 Inventory movement
Group: **SG15** Status: D Max. Occ.: 99 Sub-Line
Group: **SG16** Status: D Max. Occ.: 99 Package
Group: **SG17** Status: D Max. Occ.: 99 Package identification
 Package identification
Segment: **PCI** Seq. No.: 29 Level: 5 **Package identification**
 Status: M Max. Occ.: 1
 Counter: 0630

Name: Package identification

Description of segment:

UN/EDIFACT			Implementation	
	Name	St Format	St Format	Use / Remarks
PCI				
4233	Marking instructions, coded	C an..3	R an..3	17 = Seller's instructions
C210	Marks & labels	C	N	not used
7102	Shipping marks	M an..35	N	not used
7102	Shipping marks	C an..35	N	not used
7102	Shipping marks	C an..35	N	not used
7102	Shipping marks	C an..35	N	not used
7102	Shipping marks	C an..35	N	not used
7102	Shipping marks	C an..35	N	not used
7102	Shipping marks	C an..35	N	not used
7102	Shipping marks	C an..35	N	not used
7102	Shipping marks	C an..35	N	not used
7102	Shipping marks	C an..35	N	not used
8275	Container/package status, coded	C an..3	N	not used
C827	Type of marking	C	R	
7511	Type of marking, coded	M an..3	R an..3	G = Mixed handling unit M = Homogeneous handling unit S = Simplified handling unit
1131	Code list qualifier	C an..3	N	- not used
3055	Code list responsible agency, coded	C an..3	R an..3	10 = ODETTE

VOLVO INVENTORY REPORT

UN/EDIFACT Message: Segment details

Remark:

The data element 4233 should contain the constant value "17" (=Seller's instruction), according to the CEIG recommendation, to avoid the transmission of an empty segment when the Handling Unit Category attribute is not transmitted.

Example:

PCI+17

VOLVO INVENTORY REPORT

UN/EDIFACT Message: Segment details

Group:	SG9	Status: R	Max. Occ.: 99	Article
Group:	SG11	Status: D	Max. Occ.: 999	Inventory movement
Group:	SG15	Status: D	Max. Occ.: 99	Sub-Line
Group:	SG16	Status: D	Max. Occ.: 99	Package
Group:	SG17	Status: D	Max. Occ.: 99	Package identification
Segment:	RFF	Seq. No.: 30 Status: D Counter: 0640	Level: 6 Max. Occ.: 1	Reference

Name: Transport Label Number

Description of segment:

UN/EDIFACT			Implementation	
	Name	St Format	St Format	Use / Remarks
RFF				
C506	Reference	M	M	
1153	Reference qualifier	M an..3	M an..3	
1154	Reference number	C an..35	R an..17	AAT = Master label number Transport Label Number
1156	Line number	C an..6	N	not used
4000	Reference version number	C an..35	N	not used

Remark:

Transport Label Number

This is a reference to the master label number of the Handling Unit which contains the packages identified in the GIN segment(s) below the same PCI segment occurrence.

The same master label number may be referenced below different CPS (1).PAC.PCI segments in case of mixed handling units (one occurrence for each part number contained in the mixed Handling Unit).

Example:

RFF+AAT: 333444 '

VOLVO INVENTORY REPORT

UN/EDIFACT Message: Segment details

Group: **SG9** Status: R Max. Occ.: 99 Article
Group: **SG11** Status: D Max. Occ.: 999 Inventory movement
Group: **SG15** Status: D Max. Occ.: 99 Sub-Line
Group: **SG16** Status: D Max. Occ.: 99 Package
Group: **SG17** Status: D Max. Occ.: 99 Package identification
Segment: **DTM** Seq. No.: 31 Level: 6 **Date/time/period**
 Status: D Max. Occ.: 5
 Counter: 0650

Name: Date/time/period

Description of segment:

UN/EDIFACT			Implementation	
	Name	St Format	St Format	Use / Remarks
DTM				
C507	Date/time/period	M	M	
2005	Date/time/period qualifier	M an..3	M an..3	94 = Production/manufacture date 361 = Best before date
2380	Date/time/period	C an..35	R an..35	
2379	Date/time/period format qualifier	C an..3	R an..3	

Remark:

Example:

DTM+94:200711071225:203'

VOLVO INVENTORY REPORT

UN/EDIFACT Message: Segment details

Group:	SG9	Status: R	Max. Occ.: 99	Article
Group:	SG11	Status: D	Max. Occ.: 999	Inventory movement
Group:	SG15	Status: D	Max. Occ.: 99	Sub-Line
Group:	SG16	Status: D	Max. Occ.: 99	Package
Group:	SG17	Status: D	Max. Occ.: 99	Package identification
Segment:	GIN	Seq. No.: 32 Status: D Counter: 0660	Level: 6 Max. Occ.: 100	Goods identity number

Name: Goods identity number

Description of segment:

UN/EDIFACT			Implementation	
	Name	St Format	St Format	Use / Remarks
GIN				
7405	Identity number qualifier	M an..3	M an..3	ML = Marking/label number BN = Serial number
C208	Identity number range	M	D	If available
7402	Identity number	M an..35	R an..17	Package label number
7402	Identity number	C an..35	N	not used
C208	Identity number range	C	N	not used
7402	Identity number	M an..35	N	not used
7402	Identity number	C an..35	N	not used
C208	Identity number range	C	N	not used
7402	Identity number	M an..35	N	not used
7402	Identity number	C an..35	N	not used
C208	Identity number range	C	N	not used
7402	Identity number	M an..35	N	not used
7402	Identity number	C an..35	N	not used
C208	Identity number range	C	N	not used
7402	Identity number	M an..35	N	not used
7402	Identity number	C an..35	N	not used

Remark:

Example:

GIN+ML+122345'

VOLVO INVENTORY REPORT

UN/EDIFACT Message: Segment details

Segment:

UNT

Seq. No.: 33 Level: 0
Status: M Max. Occ.: 1
Counter: 0670

MESSAGE TRAILER

Name: MESSAGE TRAILER

Description of segment:

UN/EDIFACT		Implementation		
	Name	St Format	St Format	Use / Remarks
UNT				
0074	Number of segments in a message	M n..6	M n..6	Number of segments in the message
0062	Message reference number	M an..14	M an..14	Message reference number

Remark:

Example:

VOLVO INVENTORY REPORT

UN/EDIFACT Message: Segment details

Segment: **UNZ** Seq. No.: 34 Level: 0 **INTERCHANGE TRAILER**
Status: M Max. Occ.: 1
Counter: 0000

Name: **INTERCHANGE TRAILER**

Description of segment:

UN/EDIFACT			Implementation	
	Name	St Format	St Format	Use / Remarks
UNZ				
0036	Interchange control count	M n..6	M n..6	Interchange control count
0020	Interchange control reference	M an..14	M an..14	Interchange control reference

Remark:

Example: