



Message Specification

VOLVO GLOBAL INVRPT D13A

Based on:

INVRPT

Inventory report message

UN D.13A S3

Version: 1
Variant: 0
Issue date: 2019-06-24
Author: Volvo Group IT

Message Structure

Counter	No	Tag	St	MaxOcc	Level	Content
0010	1	UNH	M	1	0	Message header
0020	2	BGM	M	1	0	Beginning of message
0040	3	DTM	M	1	1	Message date
0080		SG2	R	1	1	Warehouse manager
0090	4	NAD	M	1	1	Warehouse manager
0080		SG2	R	1	1	Receiver of the inventory report
0090	5	NAD	M	1	1	Name and address
0110		SG3	D	1	2	Account Number
0120	6	RFF	M	1	2	Reference
0080		SG2	D	1	1	Ship from
0090	7	NAD	M	1	1	Ship from's name and address
0080		SG2	D	1	1	Ship to
0090	8	NAD	M	1	1	Ship to's name and address
0100	9	LOC	O	1	2	Place of discharge
0080		SG2	D	1	1	Buyer / Customer
0090	10	NAD	M	1	1	Buyer's Name and Address
0080		SG2	D	1	1	Seller / supplier
0090	11	NAD	M	1	1	Seller's Name and Address
0290		SG9	R	9999999	1	Article
0300	12	LIN	M	1	1	Line item
0310	13	PIA	D	1	2	Additional product id
0320	14	IMD	O	1	2	Item description
0390		SG10	D	1	2	Order number (purchase)
0400	15	RFF	M	1	2	Reference
0450		SG12	D	9999	2	Stock movement
0460	16	INV	M	1	2	Inventory management related details
0470	17	QTY	R	1	3	Movement quantity
0490	18	LOC	O	1	3	Warehouse / storage facility
0500	19	DTM	D	1	3	Date / time of the stock movement, if different from message date.
0600		SG15	D	10	3	Reference documents
0610	20	RFF	M	1	3	Reference
0620	21	DTM	O	1	4	Reference document date/time
0630		SG16	D	9999	3	Packages
0640	22	CPS	M	1	3	Consignment packing sequence
0650		SG17	D	9999	4	Group of packaging items
0660	23	PAC	M	1	4	Package
0680	24	QTY	D	1	5	Quantity
0690		SG18	D	99	5	Marking

Counter = Counter of segment/group within the standard
 No = Consecutive segment number
 MaxOcc = Maximum occurrence of the segment/group

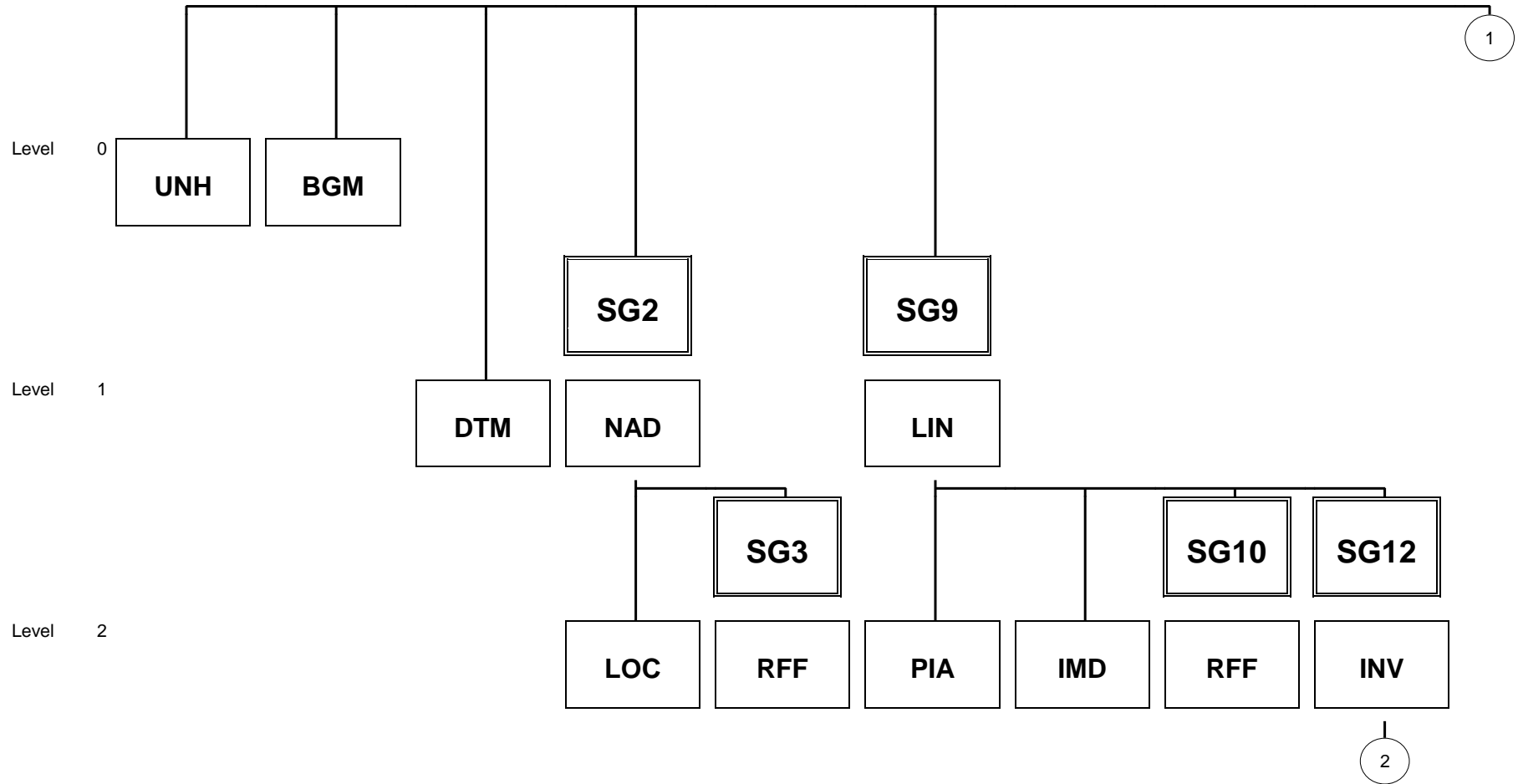
St = Status
 EDIFACT: M=Mandatory, C=Conditional
 User specific: R=Required, O=Optional, D=Dependent,
 A=Advised, N=Not used

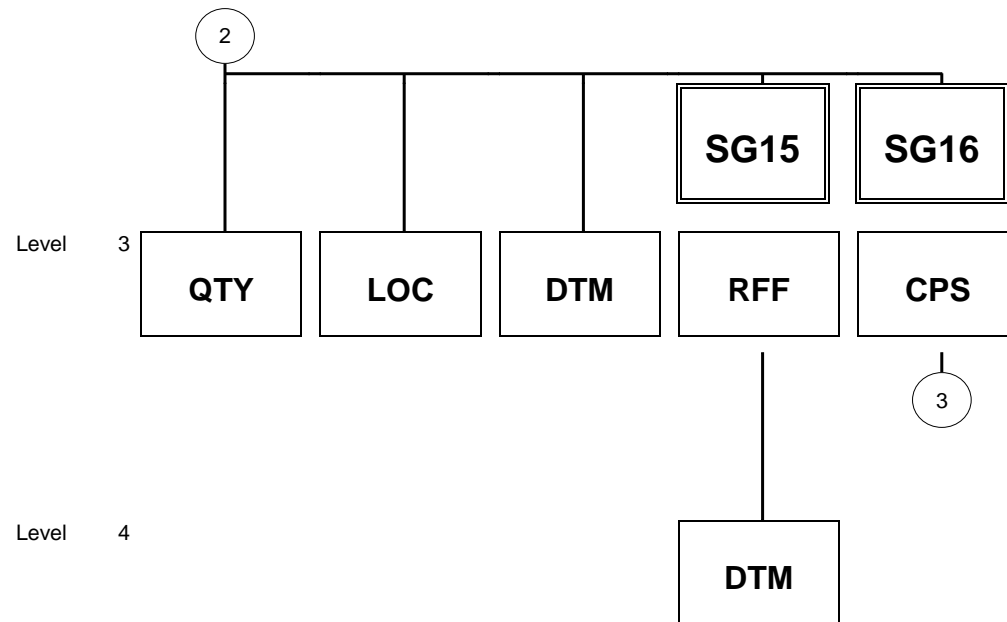
Counter	No	Tag	St	MaxOcc	Level	Content	
	0700	25	PCI	M	1	5	Package identification
	0710	26	RFF	D	1	6	Reference
	0730	27	GIN	D	100	6	Package Label Number
	0450		SG12	D	9999	2	Inventory balance per individual warehouse / condition
	0460	28	INV	R	1	2	Inventory management related details
	0470	29	QTY	M	1	3	Current stock quantity
	0470	30	QTY	O	1	3	Previously reported stock quantity
	0490	31	LOC	O	1	3	Warehouse
	0500	32	DTM	O	1	3	Message date of the previous message
	0770	33	UNT	M	1	0	Message trailer

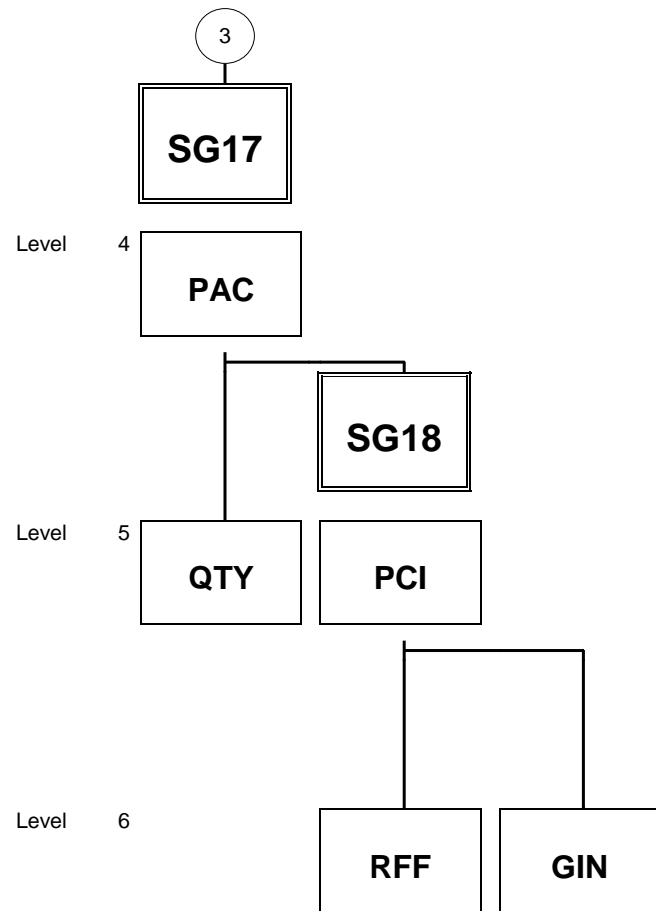
Counter = Counter of segment/group within the standard
 No = Consecutive segment number
 MaxOcc = Maximum occurrence of the segment/group

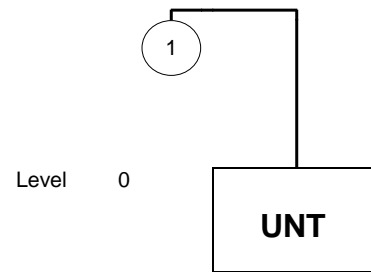
St = Status
 EDIFACT: M=Mandatory, C=Conditional
 User specific: R=Required, O=Optional, D=Dependent,
 A=Advised, N=Not used

Branching Diagram of Used Segments/Groups









Segment:

UNHSeq. No.: 1 Level: 0
Status: M Max. Occ.: 1
Counter: 0010

Message header

Name: Message header

UN/EDIFACT			Implementation	
	Name	St Format	St Format	Use / Remarks
UNH				
0062	Message reference number	M an..14	M an..14	Message reference number
S009	Message identifier	M	M	
0065	Message type	M an..6	M an..6	INVRPT Inventory report message
0052	Message version number	M an..3	M an..3	D Draft version/UN/EDIFACT Directory
0054	Message release number	M an..3	M an..3	13A Release 2013 - A
0051	Controlling agency	M an..2	M an..2	UN UN/CEFACT
0057	Association assigned code	C an..6	R an..6	GA0710 Joint Automotive Industry Forum INVRPT V1 (Revision 0)
0068	Common access reference	C an..35	N	not used

Remark:

Example:

UNH+1234+INVRPT:D:13A:UN:GA0710'

VOLVO GLOBAL INVRPT D13A



Segment:

BGM

Seq. No.: 2 Level: 0
 Status: M Max. Occ.: 1
 Counter: 0020

Beginning of message

Name: Beginning of message

UN/EDIFACT			Implementation	
	Name	St Format	St Format	Use / Remarks
BGM				
C002	Document/message name	C	R	
1001	Document name code	C an..3	R an..3	22 Inventory movement and balance 23 Formal Inventory Balance 78 Inventory movement advice 22 - The message contains stock movement information and formal inventory count information 23 - Inventory message = formal inventory count message 78 - Stock movement report (receipts and issues and internal transfer postings)
1131	Code list identification code	C an..17	N	not used
3055	Code list responsible agency code	C an..3	O an..3	6 UNECE (United Nations - Economic Commission for Europe) 272 Joint Automotive Industry agency
1000	Document name	C an..35	N	not used
C106	Document/message identification	C	R	
1004	Document identifier	C an..70	R an..17	Message number of the inventory report or movement advice

Remark:

Example:

BGM+23+123456'

Segment:

DTMSeq. No.: 3 Level: 1
Status: M Max. Occ.: 1
Counter: 0040

Date/time/period

Name:

Message date

UN/EDIFACT			Implementation	
	Name	St Format	St Format	Use / Remarks
DTM				
C507	Date/time/period	M	M	
2005	Date or time or period function code qualifier	M an..3	M an..3	137 Document issue date time
2380	Date or time or period text	C an..35	R an..14	Stock Report Date/Time
2379	Date or time or period format code	C an..3	R an..3	203 CCYYMMDDHHMM

Remark:

Message date is equal / synonymous to date / time of the inventory report.

Example:

DTM+137:201811010830:203'

Group: **SG2** Status: R Max. Occ.: 1 Warehouse manager

Segment: **NAD** Seq. No.: 4 Level: 1 **Name and address**
 Status: M Max. Occ.: 1
 Counter: 0090

Name: Warehouse manager

UN/EDIFACT			Implementation	
	Name	St Format	St Format	Use / Remarks
NAD				
3035	Party function code qualifier	M an..3	M an..3	WH Warehouse keeper
C082	Party identification details	C	R	
3039	Party identifier	M an..35	R an..20	Warehouse Manager's Identification Number
1131	Code list identification code	C an..17	N	not used
3055	Code list responsible agency code	C an..3	R an..3	Code specifying the agency responsible for a code list. 92 Assigned by buyer or buyer's agent
C058	Name and address	C	N	not used
3124	Name and address description	M an..35	N	not used
C080	Party name	C	O	
3036	Party name	M an..70	M an..35	Single text line for party name
C059	Street	C	O	
3042	Street and number or post office box identifier	M an..35	M an..35	Part of address identifying the location of a building, normally given together with street
3042	Street and number or post office box identifier	C an..35	C an..35	
3164	City name	C an..35	O an..35	The name of the city, town, or village of this address.
C819	Country subdivision details	C	O	
3229	Country subdivision identifier	C an..9	R an..9	State or region within a country. The use of UN LoCodes is recommended.
3251	Postal identification code	C an..17	O an..17	Identifier of one or more address data properties according to the postal service of the respective country
3207	Country identifier	C an..3	O a2	Provides the country part of an address using a code. Use ISO3166 two alpha code.

Remark:

Warehouse manager

Example:

NAD+WH+47500:::92'

Group: **SG2** Status: R Max. Occ.: 1 Receiver of the inventory report

Segment: **NAD** Seq. No.: 5 Level: 1 **Name and address**
 Status: M Max. Occ.: 1
 Counter: 0090

Name: **Name and address**

UN/EDIFACT			Implementation	
	Name	St Format	St Format	Use / Remarks
NAD				
3035	Party function code qualifier	M an..3	M an..3	GM Inventory controller
C082	Party identification details	C	R	
3039	Party identifier	M an..35	R an..20	Inventory Controller's Identification Number
1131	Code list identification code	C an..17	N	not used
3055	Code list responsible agency code	C an..3	R an..3	Code specifying the agency responsible for a code list. 92 Assigned by buyer or buyer's agent
C058	Name and address	C	N	not used
3124	Name and address description	M an..35	N	not used
C080	Party name	C	O	
3036	Party name	M an..70	M an..35	Single text line for party name
C059	Street	C	O	
3042	Street and number or post office box identifier	M an..35	M an..35	Part of address identifying the location of a building, normally given together with street
3042	Street and number or post office box identifier	C an..35	C an..35	
3164	City name	C an..35	O an..35	The name of the city, town, or village of this address.
C819	Country subdivision details	C	O	
3229	Country subdivision identifier	C an..9	R an..9	State or region within a country. The use of UN LoCodes is recommended.
3251	Postal identification code	C an..17	O an..17	Identifier of one or more address data properties according to the postal service of the respective country
3207	Country identifier	C an..3	O a2	Provides the country part of an address using a code. Use ISO3166 two alpha code.

Remark:

Inventory controller

Example:

NAD+GM+1001::92'

Group: **SG2** Status: R Max. Occ.: 1 Receiver of the inventory report

Group: **SG3** Status: D Max. Occ.: 1 Account Number

Segment: **RFF** Seq. No.: 6 Level: 2 **Reference**
 Status: M Max. Occ.: 1
 Counter: 0120

Name: Reference

UN/EDIFACT			Implementation	
	Name	St Format	St Format	Use / Remarks
RFF				
C506	Reference	M	M	
1153	Reference code qualifier	M an..3	M an..3	ADE Account number
1154	Reference identifier	C an..70	R an..17	Inventory Controller's Internal Account Number

Remark:
Account Number

Example:
RFF+ADE:556013970000'

Group: **SG2** Status: D Max. Occ.: 1 Ship from

Segment: **NAD** Seq. No.: 7 Level: 1 Name and address
 Status: M Max. Occ.: 1
 Counter: 0090

Name: Ship from's name and address

UN/EDIFACT			Implementation	
	Name	St Format	St Format	Use / Remarks
NAD				
3035	Party function code qualifier	M an..3	M an..3	SF Ship from
C082	Party identification details	C	R	
3039	Party identifier	M an..35	R an..20	Ship From ID.
1131	Code list identification code	C an..17	N	not used
3055	Code list responsible agency code	C an..3	R an..3	Code specifying the agency responsible for a code list. 92 Assigned by buyer or buyer's agent
C058	Name and address	C	N	not used
3124	Name and address description	M an..35	N	not used
C080	Party name	C	O	
3036	Party name	M an..70	M an..35	Single text line for party name
C059	Street	C	O	
3042	Street and number or post office box identifier	M an..35	M an..35	Part of address identifying the location of a building, normally given together with street
3042	Street and number or post office box identifier	C an..35	C an..35	
3164	City name	C an..35	O an..35	The name of the city, town, or village of this address.
C819	Country subdivision details	C	O	
3229	Country subdivision identifier	C an..9	R an..9	State or region within a country. The use of UN LoCodes is recommended.
3251	Postal identification code	C an..17	O an..17	Identifier of one or more address data properties according to the postal service of the respective country
3207	Country identifier	C an..3	O a2	Provides the country part of an address using a code. Use ISO3166 two alpha code.

Remark:

Party that despatches the goods or makes them ready for collection

Example:

NAD+SF+41200:::92'

Group: **SG2** Status: D Max. Occ.: 1 Ship to

Segment: **NAD** Seq. No.: 8 Level: 1 Name and address
 Status: M Max. Occ.: 1
 Counter: 0090

Name: Ship to's name and address

UN/EDIFACT			Implementation	
	Name	St Format	St Format	Use / Remarks
NAD				
3035	Party function code qualifier	M an..3	M an..3	ST Ship to
C082	Party identification details	C	R	
3039	Party identifier	M an..35	R an..20	Ship To ID.
1131	Code list identification code	C an..17	N	not used
3055	Code list responsible agency code	C an..3	R an..3	Code specifying the agency responsible for a code list. 92 Assigned by buyer or buyer's agent
C058	Name and address	C	N	not used
3124	Name and address description	M an..35	N	not used
C080	Party name	C	O	
3036	Party name	M an..70	M an..70	Single text line for specification of a name
C059	Street	C	O	
3042	Street and number or post office box identifier	M an..35	M an..35	Part of address identifying the location of a building, normally given together with street
3042	Street and number or post office box identifier	C an..35	O an..35	
3164	City name	C an..35	O an..35	The name of the city, town, or village of this address.
C819	Country subdivision details	C	O	
3229	Country subdivision identifier	C an..9	R an..9	State or region within a country. The use of UN LoCodes is recommended.
3251	Postal identification code	C an..17	O an..17	Identifier of one or more address data properties according to the postal service of the respective country
3207	Country identifier	C an..3	O a2	Provides the country part of an address using a code. Use ISO3166 two alpha code. The codes of this codelist are documented in a separate document

Remark:

Example:

NAD+ST+47500:::92'

Group: **SG2** Status: D Max. Occ.: 1 Ship to

Segment: **LOC** Seq. No.: 9 Level: 2 **Place/location identification**
 Status: O Max. Occ.: 1
 Counter: 0100

Name: **Place of discharge**

UN/EDIFACT			Implementation	
	Name	St Format	St Format	Use / Remarks
LOC				
3227	Location function code qualifier	M an..3	M an..3	11 Place of discharge
C517	Location identification	C	R	
3225	Location identifier	C an..35	R an..35	Identifier of location, site, etc.
1131	Code list identification code	C an..17	N	not used
3055	Code list responsible agency code	C an..3	R an..3	Code specifying the agency responsible for a code list. 92 Assigned by buyer or buyer's agent

Remark:

Location where goods are unloaded from transport vehicle.

Example:

LOC+11+049:::92'

Group: **SG2** Status: D Max. Occ.: 1 Buyer / Customer
Segment: **NAD** Seq. No.: 10 Level: 1 Name and address
 Status: M Max. Occ.: 1
 Counter: 0090

Name: Buyer's Name and Address

UN/EDIFACT		Implementation		
	Name	St Format	St Format	Use / Remarks
NAD				
3035	Party function code qualifier	M an..3	M an..3	BY Buyer
C082	Party identification details	C	R	
3039	Party identifier	M an..35	M an..35	Buyer ID.
1131	Code list identification code	C an..17	N	not used
3055	Code list responsible agency code	C an..3	R an..3	Code specifying the agency responsible for a code list. 92 Assigned by buyer or buyer's agent
C058	Name and address	C	N	not used
3124	Name and address description	M an..35	N	not used
C080	Party name	C	O	
3036	Party name	M an..70	M an..35	Single text line for specification of a name
C059	Street	C	O	
3042	Street and number or post office box identifier	M an..35	M an..35	The name that identifies the location of a house or building: usually within a street as part of an address.
3042	Street and number or post office box identifier	C an..35	C an..35	
3164	City name	C an..35	O an..35	The name of the city, town, or village of this address.
C819	Country subdivision details	C	O	
3229	Country subdivision identifier	C an..9	R an..9	State or region within a country. The use of UN LoCodes is recommended.
3251	Postal identification code	C an..17	O an..17	The identifier for one or more properties according to the postal service of that country.
3207	Country identifier	C an..3	O an..3	Provides the country part of an address using a code. Use ISO3166 two alpha code.

Remark:

Party to whom merchandise and/or service is sold.

Example:

NAD+BY+1001::92'

Group: **SG2** Status: D Max. Occ.: 1 Seller / supplier

Segment: **NAD** Seq. No.: 11 Level: 1 Name and address
 Status: M Max. Occ.: 1
 Counter: 0090

Name: **Seller's Name and Address**

UN/EDIFACT		Implementation		
	Name	St Format	St Format	Use / Remarks
NAD				
3035	Party function code qualifier	M an..3	M an..3	SE Seller
C082	Party identification details	C	R	
3039	Party identifier	M an..35	M an..35	Seller ID.
1131	Code list identification code	C an..17	N	not used
3055	Code list responsible agency code	C an..3	R an..3	Code specifying the agency responsible for a code list. 92 Assigned by buyer or buyer's agent
C058	Name and address	C	N	not used
3124	Name and address description	M an..35	N	not used
C080	Party name	C	O	
3036	Party name	M an..70	M an..35	Single text line for specification of a name
C059	Street	C	O	
3042	Street and number or post office box identifier	M an..35	M an..35	The name that identifies the location of a house or building: usually within a street as part of an address.
3042	Street and number or post office box identifier	C an..35	C an..35	
3164	City name	C an..35	O an..35	The name of the city, town, or village of this address.
C819	Country subdivision details	C	O	
3229	Country subdivision identifier	C an..9	R an..9	State or region within a country. The use of UN LoCodes is recommended.
3251	Postal identification code	C an..17	O an..17	The identifier for one or more properties according to the postal service of that country.
3207	Country identifier	C an..3	O an..3	Provides the country part of an address using a code. Use ISO3166 two alpha code.

Remark:

Example:

NAD+SE+41200:::92'

VOLVO GLOBAL INVRPT D13A



Group: **SG9** Status: R Max. Occ.: 9999999 Article

Segment: **LIN** Seq. No.: 12 Level: 1 **Line item**
 Status: M Max. Occ.: 1
 Counter: 0300

Name: Line item

UN/EDIFACT			Implementation	
	Name	St Format	St Format	Use / Remarks
LIN				
1082	Line item identifier	C an..6	R n..6	Line number
1229	Action code	C an..3	N	not used
C212	Item number identification	C	R	
7140	Item identifier	C an..35	R an..35	Article Number
7143	Item type identification code	C an..3	R an..3	IN Buyers item number

Remark:

Example:

LIN+1+++1234567890:IN'

Group: **SG9** Status: R Max. Occ.: 9999999 Article

Segment: **PIA** Seq. No.: 13 Level: 2 **Additional product id**
 Status: D Max. Occ.: 1
 Counter: 0310

Name: **Additional product id**

UN/EDIFACT			Implementation	
	Name	St Format	St Format	Use / Remarks
PIA				
4347	Product identifier code qualifier	M an..3	M an..3	1 Additional identification
C212	Item number identification	M	M	
7140	Item identifier	C an..35	R an..35	Supplier's article number
7143	Item type identification code	C an..3	R an..3	SA Supplier's article number

Remark:

Example:

PIA+1+987654321:SA'

Group: **SG9** Status: R Max. Occ.: 9999999 Article

Segment: **IMD** Seq. No.: 14 Level: 2 **Item description**
 Status: O Max. Occ.: 1
 Counter: 0320

Name: **Item description**

UN/EDIFACT		Implementation		
	Name	St Format	St Format	Use / Remarks
IMD				
7077	Description format code	C an..3	N	not used
C272	Item characteristic	C	N	not used
7081	Item characteristic code	C an..3	N	not used
C273	Item description	C	R	
7009	Item description code	C an..17	N	not used
1131	Code list identification code	C an..17	N	not used
3055	Code list responsible agency code	C an..3	N	not used
7008	Item description	C an..256	O an..70	Article Description (Line 1) Description / short name of article in plain text.
7008	Item description	C an..256	N	not used
3453	Language name code	C an..3	N	not used

Remark:

Example:

IMD+++:::LEFT BRAKE MOUNT'

Group: **SG9** Status: R Max. Occ.: 9999999 Article

Group: **SG10** Status: D Max. Occ.: 1 Order number (purchase)

Segment: **RFF** Seq. No.: 15 Level: 2 **Reference**
 Status: M Max. Occ.: 1
 Counter: 0400

Name: Reference

UN/EDIFACT			Implementation	
	Name	St Format	St Format	Use / Remarks
RFF				
C506	Reference	M	M	
1153	Reference code qualifier	M an..3	M an..3	ON Order document identifier, buyer assigned
1154	Reference identifier	C an..70	R an..17	

Remark:

Example:

RFF+ON:333444'

Group: **SG9** Status: R Max. Occ.: 9999999 Article

Group: **SG12** Status: D Max. Occ.: 9999 Stock movement

Segment: **INV** Seq. No.: 16 Level: 2 **Inventory management related details**
 Status: M Max. Occ.: 1
 Counter: 0460

Name: Inventory management related details

UN/EDIFACT			Implementation		
	Name	St Format	St Format	Use / Remarks	
INV					
4501	Inventory movement direction code	C an..3	R an..3	1	Movement out of inventory
				2	Movement into inventory
7491	Inventory type code	C an..3	R an..3	1	Accepted product inventory
				2	Damaged product inventory
				3	Bonded inventory
				4	Reserved inventory
				5	Awaiting inspection inventory
4499	Inventory movement reason code	C an..3	R an..3	1	Reception
				2	Delivery
				3	Scrapped parts
				4	Difference
				5	Property transfer within warehouse
				6	Inventory recycling
				7	Reversal of previous movement
				11	Consumption
					1 - External warehouse receipt
					2 - Warehouse issue to external
					3 - Scrapping (special case of warehouse issue)
					4 - Inventory difference (special case of goods issue or goods receipt)
					5 - Internal rebooking
					6 - Recycling/Recovery of recyclable materials
					7 - Cancellation of previous booking
					11 - Consumption

Remark:

Example:

INV+1+1+1'

VOLVO GLOBAL INVRPT D13A



Group: **SG9** Status: R Max. Occ.: 9999999 Article

Group: **SG12** Status: D Max. Occ.: 9999 Stock movement

Segment: **QTY** Seq. No.: 17 Level: 3 **Quantity**
 Status: R Max. Occ.: 1
 Counter: 0470

Name: **Movement quantity**

UN/EDIFACT			Implementation	
	Name	St Format	St Format	Use / Remarks
QTY				
C186	Quantity details	M	M	
6063	Quantity type code qualifier	M an..3	M an..3	156 Inventory movement quantity
6060	Quantity	M an..35	M an..35	
6411	Measurement unit code	C an..8	O an..3	Code specifying the unit of measurement. UN/ECE Recommendation 20, Common code.

Remark:

Example:

QTY+156:100:C62'

Group: **SG9** Status: R Max. Occ.: 9999999 Article

Group: **SG12** Status: D Max. Occ.: 9999 Stock movement

Segment: **LOC** Seq. No.: 18 Level: 3 **Place/location identification**
 Status: O Max. Occ.: 1
 Counter: 0490

Name: **Warehouse / storage facility**

UN/EDIFACT			Implementation	
	Name	St Format	St Format	Use / Remarks
LOC				
3227	Location function code qualifier	M an..3	M an..3	18 Warehouse
C517	Location identification	C	R	
3225	Location identifier	C an..35	R an..35	ID of the warehouse / storage facility. This may be a logical or virtual storage facility as well. To harmonise the usage, the following standard IDs have been defined. Additional IDs can be defined mutually by the involved business partners. XA Own stock available XB Own stock in quality control process XC Own stock bonded YA Consignment stock available YB Consignment stock in quality control process YC Consignment stock bonded
1131	Code list identification code	C an..17	N	not used
3055	Code list responsible agency code	C an..3	N	not used
3224	Location name	C an..256	N	not used

Remark:

Example:

LOC+18+XA'

Group: **SG9** Status: R Max. Occ.: 9999999 Article

Group: **SG12** Status: D Max. Occ.: 9999 Stock movement

Segment: **DTM** Seq. No.: 19 Level: 3 **Date/time/period**
 Status: D Max. Occ.: 1
 Counter: 0500

Name: Date / time of the stock movement, if different from message date.

UN/EDIFACT			Implementation	
	Name	St Format	St Format	Use / Remarks
DTM				
C507	Date/time/period	M	M	
2005	Date or time or period function code qualifier	M an..3	M an..3	179 Booking date/time
2380	Date or time or period text	C an..35	R an..12	Date / time of the stock movement.
2379	Date or time or period format code	C an..3	R an..3	102 CCYYMMDD 203 CCYYMMDDHHMM

Remark:

Example:

DTM+179:201811010630:203'

Group: **SG9** Status: R Max. Occ.: 9999999 Article
Group: **SG12** Status: D Max. Occ.: 9999 Stock movement
Group: **SG15** Status: D Max. Occ.: 10 Reference documents
Segment: **RFF** Seq. No.: 20 Level: 3 **Reference**
 Status: M Max. Occ.: 1
 Counter: 0610

Name: Reference

UN/EDIFACT			Implementation	
	Name	St Format	St Format	Use / Remarks
RFF	Reference	M	M	
C506	Reference code qualifier	M an..3	M an..3	Document Type Coded AAU Despatch note document identifier AAK Despatch advice number ALO Receiving advice number TN Transaction reference number DQ Delivery note number ON Order document identifier, buyer assigned
1154	Reference identifier	C an..70	R an..17	Document Number
1156	Document line identifier	C an..6	N	not used

Remark:

Example:

RFF+AAK:333444'

Group: **SG9** Status: R Max. Occ.: 9999999 Article
Group: **SG12** Status: D Max. Occ.: 9999 Stock movement
Group: **SG15** Status: D Max. Occ.: 10 Reference documents
Segment: **DTM** Seq. No.: 21 Level: 4 **Date/time/period**
 Status: O Max. Occ.: 1
 Counter: 0620

Name: Reference document date/time

UN/EDIFACT			Implementation	
	Name	St Format	St Format	Use / Remarks
DTM				
C507	Date/time/period	M	M	
2005	Date or time or period function code qualifier	M an..3	M an..3	171 Reference date/time
2380	Date or time or period text	C an..35	R an..14	Document Date/Time
2379	Date or time or period format code	C an..3	R an..3	102 CCYYMMDD 203 CCYYMMDDHHMM

Remark:

Example:

DTM+171:201810010830:203'

Group: **SG9** Status: R Max. Occ.: 9999999 Article
Group: **SG12** Status: D Max. Occ.: 9999 Stock movement
Group: **SG16** Status: D Max. Occ.: 9999 Packages
Segment: **CPS** Seq. No.: 22 Level: 3 **Consignment packing sequence**
 Status: M Max. Occ.: 1
 Counter: 0640

Name: Consignment packing sequence

UN/EDIFACT		Implementation		
	Name	St Format	St Format	Use / Remarks
CPS 7164	Hierarchical structure level identifier	M an..35	M n..6	Consecutive number; mandatory element: all SG 16 in the message shall be numbered consecutively.

Remark:

Example:

CPS+1 '

Group: **SG9** Status: R Max. Occ.: 9999999 Article
Group: **SG12** Status: D Max. Occ.: 9999 Stock movement
Group: **SG16** Status: D Max. Occ.: 9999 Packages
Group: **SG17** Status: D Max. Occ.: 9999 Group of packaging items
Segment: **PAC** Seq. No.: 23 Level: 4 **Package**
 Status: M Max. Occ.: 1
 Counter: 0660

Name: Package

UN/EDIFACT			Implementation	
	Name	St Format	St Format	Use / Remarks
PAC				
7224	Package quantity	C n..8	R n..6	Number of packages assigned to this group (number of identical packages).
C531	Packaging details	C	R	
7075	Packaging level code	C an..3	N	not used
7233	Packaging related description code	C an..3	R an..3	35 Type of package Code 35 identifies main packaging
C202	Package type	C	O	
7065	Package type description code	C an..17	R an..17	Code specifying the type of package.
1131	Code list identification code	C an..17	N	not used
3055	Code list responsible agency code	C an..3	O an..3	92 Assigned by buyer or buyer's agent
C402	Package type identification	C	O	
7077	Description format code	M an..3	M an..3	X Semi-structured (code + text)
7064	Type of packages	M an..35	M an..35	Package Type

Remark:

Example:

PAC+20+:35+123456::92+X:L4'

Group: **SG9** Status: R Max. Occ.: 9999999 Article
Group: **SG12** Status: D Max. Occ.: 9999 Stock movement
Group: **SG16** Status: D Max. Occ.: 9999 Packages
Group: **SG17** Status: D Max. Occ.: 9999 Group of packaging items
Segment: **QTY** Seq. No.: 24 Level: 5 **Quantity**
 Status: D Max. Occ.: 1
 Counter: 0680

Name: Quantity

UN/EDIFACT			Implementation	
	Name	St Format	St Format	Use / Remarks
QTY				
C186	Quantity details	M	M	
6063	Quantity type code qualifier	M an..3	M an..3	52 Quantity per pack
6060	Quantity	M an..35	M n..10	
6411	Measurement unit code	C an..8	C an..3	Code specifying the unit of measurement. UN/ECE Recommendation 20, Common code.

Remark:

Example:

QTY+52:5:C62'

Group: **SG9** Status: R Max. Occ.: 9999999 Article
Group: **SG12** Status: D Max. Occ.: 9999 Stock movement
Group: **SG16** Status: D Max. Occ.: 9999 Packages
Group: **SG17** Status: D Max. Occ.: 9999 Group of packaging items
Group: **SG18** Status: D Max. Occ.: 99 Marking
Segment: **PCI** Seq. No.: 25 Level: 5 **Package identification**
 Status: M Max. Occ.: 1
 Counter: 0700

Name: **Package identification**

UN/EDIFACT			Implementation	
	Name	St Format	St Format	Use / Remarks
PCI				
4233	Marking instructions code	C an..3	R an..3	17 Seller's instructions
C210	Marks & labels	C	N	not used
7102	Shipping marks description	M an..35	N	not used
8169	Full or empty indicator code	C an..3	N	not used
C827	Type of marking	C	C	
7511	Marking type code	M an..3	M an..3	The Label identifier is the first part of the transport label. It identifies the label as the outer or inner packaging label. For the outer packaging, it is possible to distinguish between master label and mixed label. In the Global Transport Label documentation, this element is referred to as data identifier. 1J corresponds to former S = single label. 1J Unique license plate number lowest package level 5J Unique license plate number mixed load 6J Unique license plate number assigned to a master load G Unique number assigned to a mixed handling unit M Unique number assigned to a homogeneous handling unit S Unique number assigned to a simplified handling unit
1131	Code list identification code	C an..17	N	not used
3055	Code list responsible agency code	C an..3	O an..3	Code specifying the agency responsible for a code list. 5 ISO (International Organization for Standardization)

Remark:

Example:

PCI+17++++S'

Group: **SG9** Status: R Max. Occ.: 9999999 Article
Group: **SG12** Status: D Max. Occ.: 9999 Stock movement
Group: **SG16** Status: D Max. Occ.: 9999 Packages
Group: **SG17** Status: D Max. Occ.: 9999 Group of packaging items
Group: **SG18** Status: D Max. Occ.: 99 Marking
Segment: **RFF** Seq. No.: 26 Level: 6 **Reference**
 Status: D Max. Occ.: 1
 Counter: 0710

Name: Reference

UN/EDIFACT			Implementation	
	Name	St Format	St Format	Use / Remarks
RFF				
C506	Reference	M	M	
1153	Reference code qualifier	M an..3	M an..3	ACI Outerpackaging unit identification
1154	Reference identifier	C an..70	R an..22	Reference to outer package. (Handling Unit)

Remark:

Example:

RFF+ACI:10001234'

Group: **SG9** Status: R Max. Occ.: 9999999 Article
Group: **SG12** Status: D Max. Occ.: 9999 Stock movement
Group: **SG16** Status: D Max. Occ.: 9999 Packages
Group: **SG17** Status: D Max. Occ.: 9999 Group of packaging items
Group: **SG18** Status: D Max. Occ.: 99 Marking
Segment: **GIN** Seq. No.: 27 Level: 6 **Goods identity number**
 Status: D Max. Occ.: 100
 Counter: 0730

Name: Package Label Number

UN/EDIFACT			Implementation	
	Name	St Format	St Format	Use / Remarks
GIN				
7405	Object identification code qualifier	M an..3	M an..3	ML Marking/label number
C208	Identity number range	M	M	
7402	Object identifier	M an..35	R an..35	ID of package
C208	Identity number range	C	O	
7402	Object identifier	M an..35	R an..35	ID of package
C208	Identity number range	C	O	
7402	Object identifier	M an..35	R an..35	ID of package
C208	Identity number range	C	O	
7402	Object identifier	M an..35	R an..35	ID of package
C208	Identity number range	C	O	
7402	Object identifier	M an..35	R an..35	ID of package

Remark:

Example:

GIN+ML+122345 '

Group: **SG9** Status: R Max. Occ.: 9999999 Article

Group: **SG12** Status: D Max. Occ.: 9999 Inventory balance per individual warehouse / condition

Segment: **INV** Seq. No.: 28 Level: 2 **Inventory management related details**
 Status: R Max. Occ.: 1
 Counter: 0460

Name: **Inventory management related details**

UN/EDIFACT		Implementation		
	Name	St Format	St Format	Use / Remarks
INV				
4501	Inventory movement direction code	C an..3	N	not used
7491	Inventory type code	C an..3	C an..3	1 Accepted product inventory 2 Damaged product inventory

Remark:

Example:

INV++1 '

Group: **SG9** Status: R Max. Occ.: 9999999 Article

Group: **SG12** Status: D Max. Occ.: 9999 Inventory balance per individual warehouse / condition

Segment: **QTY** Seq. No.: 29 Level: 3 **Quantity**
 Status: M Max. Occ.: 1
 Counter: 0470

Name: **Current stock quantity**

UN/EDIFACT			Implementation	
	Name	St Format	St Format	Use / Remarks
QTY				
C186	Quantity details	M	M	
6063	Quantity type code qualifier	M an..3	M an..3	Closing balance 145 Actual stock
6060	Quantity	M an..35	M an..35	Stock quantity in this warehouse
6411	Measurement unit code	C an..8	O an..3	Code specifying the unit of measurement, use UN/ECE Rec. 20

Remark:

Example:

QTY+145:8:C62'

Group: **SG9** Status: R Max. Occ.: 9999999 Article

Group: **SG12** Status: D Max. Occ.: 9999 Inventory balance per individual warehouse / condition

Segment: **QTY** Seq. No.: 30 Level: 3 **Quantity**
 Status: O Max. Occ.: 1
 Counter: 0470

Name: **Previously reported stock quantity**

UN/EDIFACT		Implementation		
	Name	St Format	St Format	Use / Remarks
QTY				
C186	Quantity details	M	M	
6063	Quantity type code qualifier	M an..3	M an..3	18 Previous quantity
6060	Quantity	M an..35	M an..35	Stock reported in the last (previous) stock report
6411	Measurement unit code	C an..8	O an..3	Code specifying the unit of measurement, use UN/ECE Rec. 20

Remark:

Example:

QTY+18:6:C62'

Group: **SG9** Status: R Max. Occ.: 9999999 Article

Group: **SG12** Status: D Max. Occ.: 9999 Inventory balance per individual warehouse / condition

Segment: **LOC** Seq. No.: 31 Level: 3 **Place/location identification**
 Status: O Max. Occ.: 1
 Counter: 0490

Name: Warehouse

UN/EDIFACT			Implementation	
	Name	St Format	St Format	Use / Remarks
LOC				
3227	Location function code qualifier	M an..3	M an..3	18 Warehouse
C517	Location identification	C	R	
3225	Location identifier	C an..35	R an..35	ID of the warehouse / storage facility. This may be a logical or virtual storage facility as well. To harmonize the usage, the following standard IDs have been defined: XA – own stock available XB – own stock in quality control process XC – own stock bonded YA – consignment stock available YB – consignment stock in quality control process YC – consignment stock bonded Additional IDs can be defined mutually by the involved business partners.
1131	Code list identification code	C an..17	N	not used
3055	Code list responsible agency code	C an..3	N	not used
3224	Location name	C an..256	N	not used

Remark:

Logical or physical warehouse or storage facility

Example:

LOC+18+XA '

Group: **SG9** Status: R Max. Occ.: 9999999 Article

Group: **SG12** Status: D Max. Occ.: 9999 Inventory balance per individual warehouse / condition

Segment: **DTM** Seq. No.: 32 Level: 3 **Date/time/period**
 Status: O Max. Occ.: 1
 Counter: 0500

Name: **Message date of the previous message**

UN/EDIFACT		Implementation		
	Name	St Format	St Format	Use / Remarks
DTM				
C507	Date/time/period	M	M	
2005	Date or time or period function code qualifier	M an..3	M an..3	127 Previous report date
2380	Date or time or period text	C an..35	R n..12	Date / time of previous report
2379	Date or time or period format code	C an..3	R an..3	102 CCYYMMDD 203 CCYYMMDDHHMM

Remark:

Example:

DTM+127:201810290830:203'

Segment:

UNT

Seq. No.: 33 Level: 0
 Status: M Max. Occ.: 1
 Counter: 0770

Message trailer

Name: Message trailer

UN/EDIFACT		Implementation		
	Name	St Format	St Format	Use / Remarks
UNT				
0074	Number of segments in the message	M n..6	M n..6	Number of segments in the message
0062	Message reference number	M an..14	M an..14	Message reference number

Remark:

Example:

UNT+36+1234 '

Example of inventory movement message

```
UNB+UNOC:1+094200005562361039:30:047500+094200005560139700:30:001001+190531:0725+764990'  
UNH+814990+INVRPT:D:13A:UN:GA0710'  
BGM+78+814990'  
DTM+137:201905310725:203'  
NAD+WH+47500::92'  
NAD+GM+1001::92'  
NAD+ST+47500::92'  
LOC+11+049::92'  
NAD+SE+12345::92'  
LIN+1++23046481:IN'  
RFF+ON:366912345049'  
INV+2+1+1'  
QTY+156:1'  
DTM+179:201905310725:203'  
RFF+AAK:22001294'  
DTM+171:20190531:102'  
UNT+16+814990'  
UNZ+1+764990'
```

Example of inventory balance message

```
UNB+UNOC:1+094200005562361039:30:047500+094200005560139700:30:001001+190531:0725+764990'  
UNH+814990+INVRPT:D:13A:UN:GA0710'  
BGM+23+814990'  
DTM+137:201905310725:203'  
NAD+WH+47500::92'  
NAD+GM+1001::92'  
NAD+SE+12345::92'  
LIN+1++23046481:IN'  
RFF+ON:366912345049'  
INV++1'  
QTY+145:1'  
QTY+18:6'  
DTM+127:201905300725:203'  
UNT+13+814990'  
UNZ+1+764990'
```