



Message Specification

Volvo Global DESADV

based on

DESADV

Despatch Advice message

D.00A S3 GDP

Version: 1
Variant: 1
Issue date: 2013-12-17
Author: JAI

1 Message Structure.....	2
2 Branching Diagram	4
3 Segments	12

Structure / Table of Contents

Counter	No	Tag	St	MaxOcc	Level	Content
0010	1	UNH	M	1	0	Message header
0020	2	BGM	M	1	0	Beginning of message
0030	3	DTM	R	1	1	Despatch advice date
0050	4	MEA	D	1	1	Consignment's gross weight
0050	5	MEA	D	1	1	Consignment volume (Total cube)
0080		SG1	R	1	1	Transport document reference
0090	6	RFF	M	1	1	Transport document reference
0080		SG1	D	1	1	Reference to KANBAN message Number
0090	7	RFF	M	1	1	Customer Reference Number
0110		SG2	R	1	1	ShipTo
0120	8	NAD	M	1	1	ShipTo's name and address
0130	9	LOC	R	1	2	Place of discharge
0110		SG2	D	1	1	Seller
0120	10	NAD	M	1	1	Seller's name and address
0110		SG2	R	1	1	Carrier
0120	11	NAD	M	1	1	Carrier's name and address
0110		SG2	R	1	1	Ship from
0120	12	NAD	M	1	1	Ship From's Name and address
0240		SG6	D	10	1	Means of transport
0250	13	TDT	M	1	1	Details of transport
0390		SG10	R	9999	1	Despatch control line / group of inner packaging items and article line
0400	14	CPS	M	1	1	Consignment packing sequence
0430		SG11	R	9999	2	Group of inner packaging items
0440	15	PAC	M	1	2	Package
0460	16	QTY	R	1	3	Actual quantity per package
0500		SG13	R	1000	3	Individual packaging item
0510	17	PCI	M	1	3	Package identification
0520	18	RFF	D	1	4	Reference to outer package
0540		SG14	D	99	4	Production batch
0550	19	GIR	M	1	4	Trigger segment
0570		SG15	R	99	4	Label number(s)
0580	20	GIN	M	1	4	Label serial number(s)
0570		SG15	D	99	4	Kanban card number
0580	21	GIN	M	1	4	Kanban card number
0650		SG17	R	1	2	Article and Despatched Article
0660	22	LIN	M	1	2	Line item
0670	23	PIA	D	1	3	Additional product id
0700	24	QTY	R	1	3	Despatched quantity
0710	25	ALI	D	1	3	Country of origin, duty regime and nature of transaction

Counter = Counter of segment/group within the standard
 No = Consecutive segment number
 MaxOcc = Maximum occurrence of the segment/group

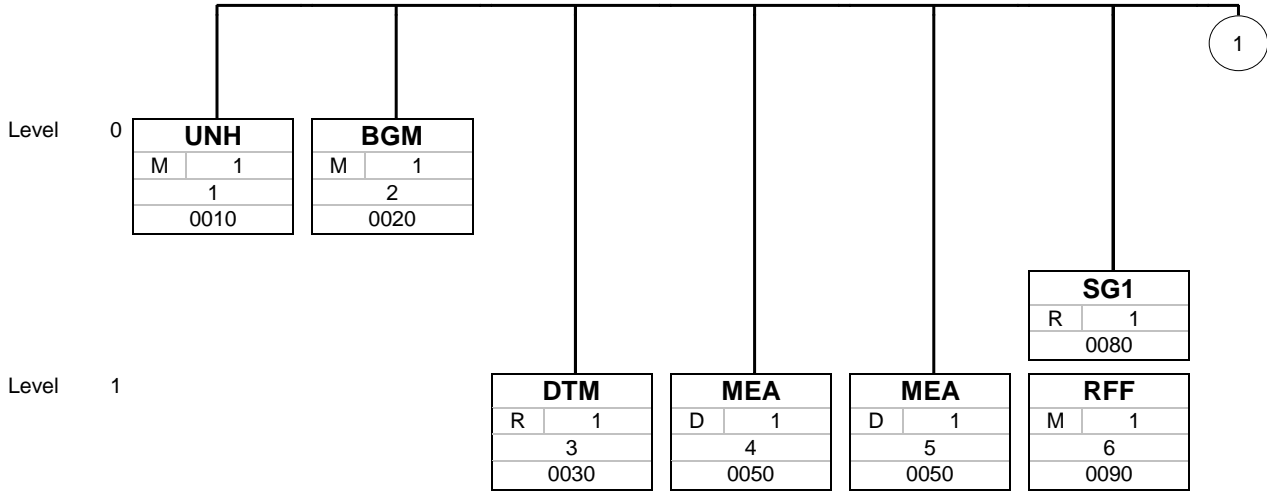
St = Status
 EDIFACT: M=Mandatory, C=Conditional
 User specific: R=Required, O=Optional, D=Dependent,
 A=Advised, N=Not used

Counter	No	Tag	St	MaxOcc	Level	Content
0720	26	GIN	D	100	3	Serial Number(s)
0720	27	GIN	D	100	3	Engine Number(s)
0720	28	GIN	D	100	3	Vehicle Identity Number(s)
0810	29	MOA	D	1	3	Customs declared value
0820		SG18	R	1	3	Order reference
0830	30	RFF	M	1	3	Order reference
0820		SG18	D	1	3	Invoice reference
0830	31	RFF	M	1	3	Invoice reference
0860	32	DTM	C	1	4	Date/time/period
0820		SG18	D	99	3	Part consignment number reference
0830	33	RFF	M	1	3	Reference
0820		SG18	D	99	3	Module Reference Number
0830	34	RFF	M	1	3	Reference
0910		SG20	D	1	3	Internal place of destination
0920	35	LOC	M	1	3	Place/location identification
1150	36	UNT	M	1	0	Message trailer

Counter = Counter of segment/group within the standard
 No = Consecutive segment number
 MaxOcc = Maximum occurrence of the segment/group

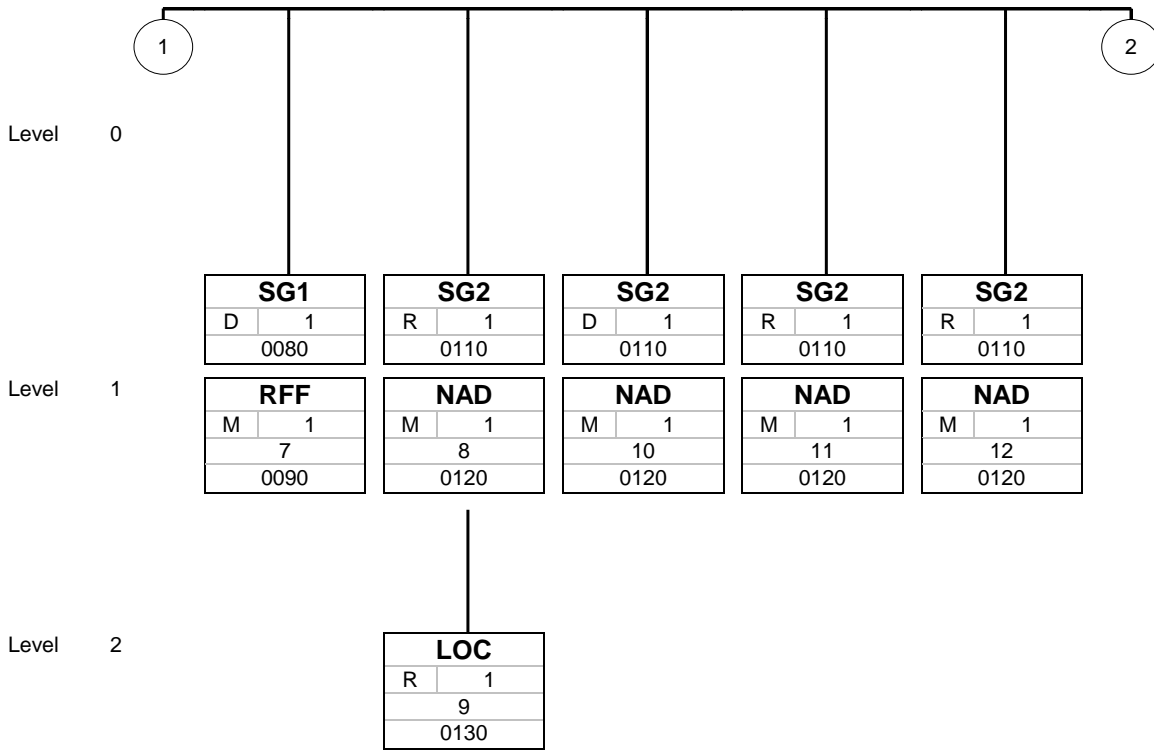
St = Status
 EDIFACT: M=Mandatory, C=Conditional
 User specific: R=Required, O=Optional, D=Dependent,
 A=Advised, N=Not used

Branching Diagram of Used Segments/Groups



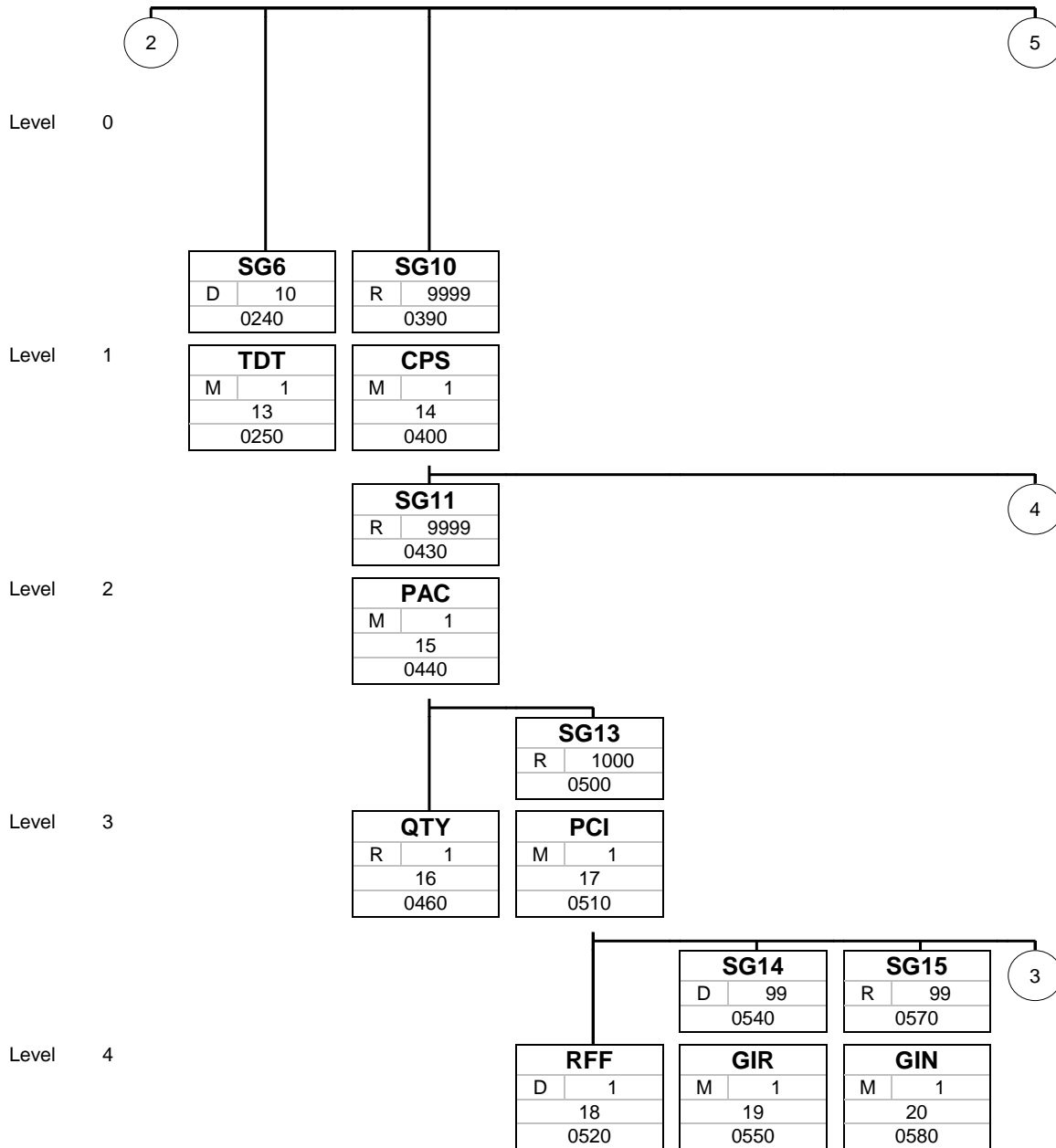
Tag
St MaxOcc
No
Counter

Tag = Segment/Group Tag
 St = Status (M=Mandatory, C=Conditional, R=Required, O=Optional, A=Advised, D=Dependent)
 MaxOcc = Maximum occurrence of the segment/group
 No = Consecutive segment number
 Counter = Counter of segment/group within the standard



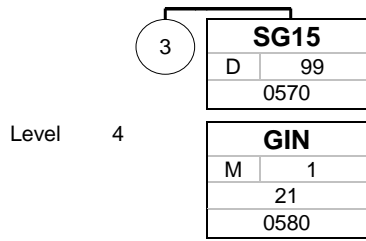
Tag
St MaxOcc
No
Counter

Tag = Segment/Group Tag
 St = Status (M=Mandatory, C=Conditional, R=Required, O=Optional, A=Advised, D=Dependent)
 MaxOcc = Maximum occurrence of the segment/group
 No = Consecutive segment number
 Counter = Counter of segment/group within the standard



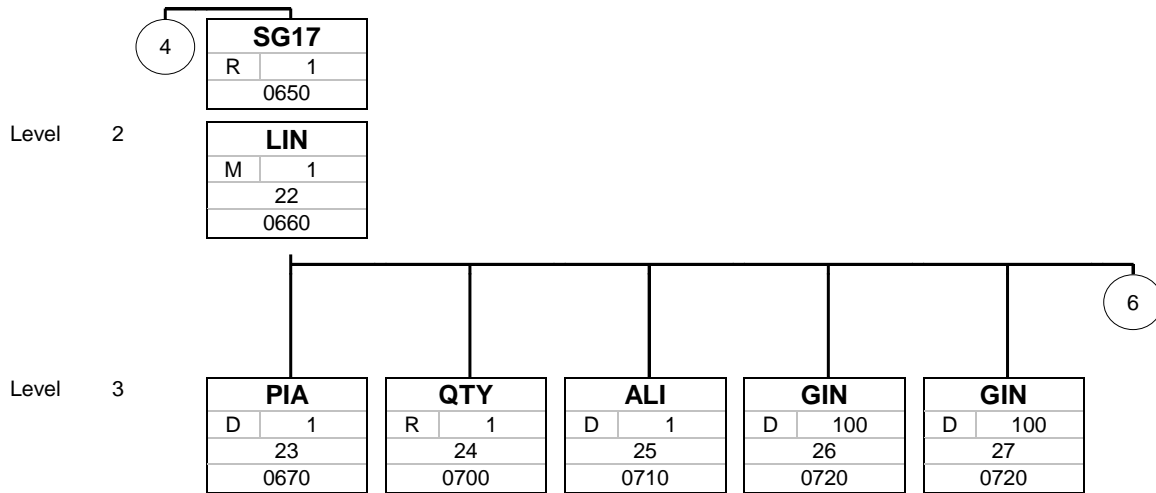
Tag
St MaxOcc
No
Counter

Tag = Segment/Group Tag
 St = Status (M=Mandatory, C=Conditional, R=Required, O=Optional, A=Advised, D=Dependent)
 MaxOcc = Maximum occurrence of the segment/group
 No = Consecutive segment number
 Counter = Counter of segment/group within the standard



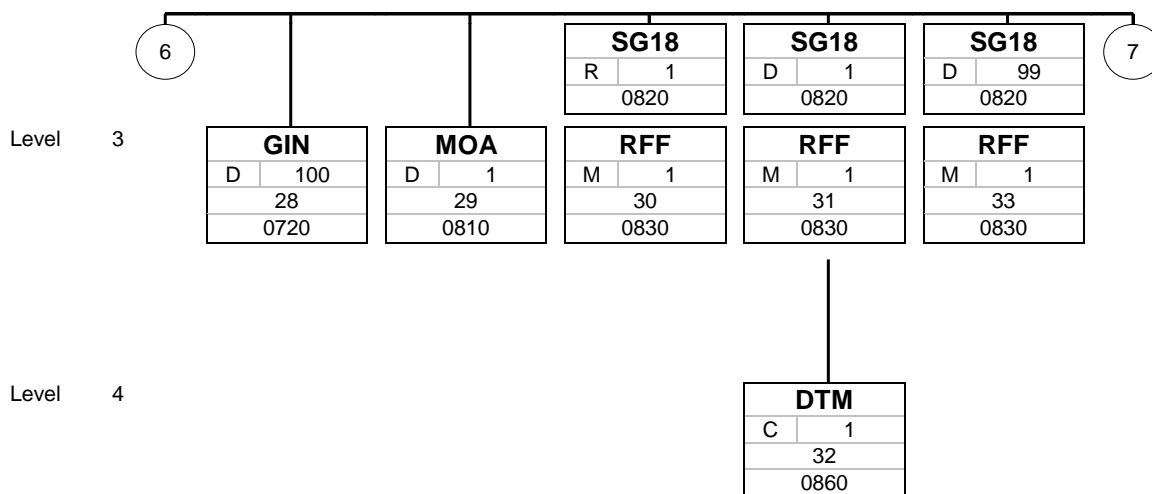
Tag
St MaxOcc
No
Counter

Tag = Segment/Group Tag
 St = Status (M=Mandatory, C=Conditional, R=Required, O=Optional, A=Advised, D=Dependent)
 MaxOcc = Maximum occurrence of the segment/group
 No = Consecutive segment number
 Counter = Counter of segment/group within the standard



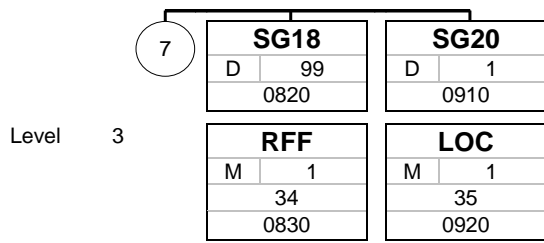
Tag
St MaxOcc
No
Counter

Tag = Segment/Group Tag
 St = Status (M=Mandatory, C=Conditional, R=Required, O=Optional, A=Advised, D=Dependent)
 MaxOcc = Maximum occurrence of the segment/group
 No = Consecutive segment number
 Counter = Counter of segment/group within the standard



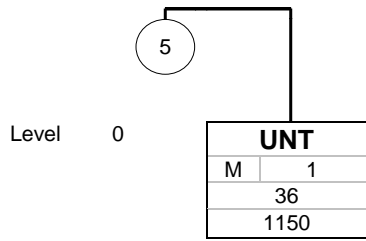
Tag
St MaxOcc
No
Counter

Tag = Segment/Group Tag
 St = Status (M=Mandatory, C=Conditional, R=Required, O=Optional, A=Advised, D=Dependent)
 MaxOcc = Maximum occurrence of the segment/group
 No = Consecutive segment number
 Counter = Counter of segment/group within the standard



Tag
St MaxOcc
No
Counter

Tag = Segment/Group Tag
 St = Status (M=Mandatory, C=Conditional, R=Required, O=Optional, A=Advised, D=Dependent)
 MaxOcc = Maximum occurrence of the segment/group
 No = Consecutive segment number
 Counter = Counter of segment/group within the standard



Tag
St MaxOcc
No
Counter

Tag = Segment/Group Tag
 St = Status (M=Mandatory, C=Conditional, R=Required, O=Optional, A=Advised, D=Dependent)
 MaxOcc = Maximum occurrence of the segment/group
 No = Consecutive segment number
 Counter = Counter of segment/group within the standard

Segments

Counter	No	Tag	St	MaxOcc	Level	Name
0010	1	UNH	M	1	0	Message header

Standard			Implementation	
Tag	Name	St Format	St Format	Usage / Remark
UNH				
0062	Message reference number	M an..14	M an..14	Message reference number
S009	Message identifier	M	M	
0065	Message type	M an..6	M an..6	DESADV Despatch advice message
0052	Message version number	M an..3	M an..3	D Draft version/UN/EDIFACT Directory
0054	Message release number	M an..3	M an..3	00A Release 2000 - A
0051	Controlling agency	M an..2	M an..2	UN UN/CEFACT
0057	Association assigned code	C an..6	R an..6	GMI021 Global Motor Industry Guide 02 (DESADV) V1 According to national or regional specifications the automotive association of that region can assign additional codes.
0068	Common access reference	C an..35	N	Not used
S010	Status of the transfer	C	N	
0070	Sequence of transfers	M n..2	N	Not used
0073	First and last transfer	C a1	N	Not used

Remark:

Example:

UNH+1+DESADV:D:00A:UN:GMI021'

No = Consecutive segment number
 MaxOcc = Maximum occurrence of the segment/group
 Counter = Counter of segment/group within the standard

St = Status
 Standard: M=Mandatory, C=Conditional
 User specific: R=Required, O=Optional, D=Dependent,
 A=Advised, N=Not used

Counter	No	Tag	St	MaxOcc	Level	Name
0020	2	BGM	M	1	0	Beginning of message

		Standard	Implementation	
Tag	Name	St Format	St Format	Usage / Remark
BGM				
C002	Document/message name	C	R	
1001	Document name code	C an..3	R an..3	351 Despatch advice
1131	Code list identification code	C an..3	N	Not used
3055	Code list responsible agency code	C an..3	N	Not used
1000	Document name	C an..35	N	Not used
C106	Document/message identification	C	R	
1004	Document identifier	C an..35	R an..17	Unique number for the Despatch Advice. The number must correspond with the Despatch Note Number. The number must not be repeated within one year. This data element shall also be given on the Transport label.
1056	Version identifier	C an..9	N	Not used
1060	Revision identifier	C an..6	N	Not used
1225	Message function code	C an..3	N	Not used
4343	Response type code	C an..3	N	Not used

Remark:**Example:**

BGM+351+465832'

No = Consecutive segment number
 MaxOcc = Maximum occurrence of the segment/group
 Counter = Counter of segment/group within the standard

St = Status
 Standard: M=Mandatory, C=Conditional
 User specific: R=Required, O=Optional, D=Dependent,
 A=Advised, N=Not used

Counter	No	Tag	St	MaxOcc	Level	Name
0030	3	DTM	R	1	1	Despatch advice date

Standard			Implementation	
Tag	Name	St Format	St Format	Usage / Remark
DTM				
C507	Date/time/period	M	M	Date and time on which the message was created. Has to correspond with the real date and time of despatch.
2005	Date or time or period function code qualifier	M an..3	M an..3	137 Document/message date/time
2380	Date or time or period value	C an..35	R n12	This date has to correspond with date and time of despatch.
2379	Date or time or period format code	C an..3	R an..3	203 CCYYMMDDHHMM

Remark:**Example:**

DTM+137:200604011000:203'

No = Consecutive segment number
 MaxOcc = Maximum occurrence of the segment/group
 Counter = Counter of segment/group within the standard

St = Status
 Standard: M=Mandatory, C=Conditional
 User specific: R=Required, O=Optional, D=Dependent,
 A=Advised, N=Not used

Counter	No	Tag	St	MaxOcc	Level	Name
0050	4	MEA	D	1	1	Consignment's gross weight

		Standard	Implementation	
Tag	Name	St Format	St Format	Usage / Remark
MEA				
6311	Measurement attribute code	M an..3	M an..3	AAX Consignment measurement
C502	Measurement details	C	R	
6313	Measured attribute code	C an..3	R an..3	AAD Total gross weight
6321	Measurement significance code	C an..3	N	Not used
6155	Non-discrete measurement name code	C an..17	N	Not used
6154	Non-discrete measurement name	C an..70	N	Not used
C174	Value/range	C	R	
6411	Measurement unit code	M an..3	M an..3	KGM kilogram LBR pound
6314	Measurement value	C an..18	R n..12	
6162	Range minimum value	C n..18	N	Not used
6152	Range maximum value	C n..18	N	Not used
6432	Significant digits quantity	C n..2	N	Not used
7383	Surface or layer code	C an..3	N	Not used

Remark:

Required information for shipments managed by Volvo Logistics.

Example:

MEA+AAX+AAD+KGM:1000'

No = Consecutive segment number
 MaxOcc = Maximum occurrence of the segment/group
 Counter = Counter of segment/group within the standard

St = Status
 Standard: M=Mandatory, C=Conditional
 User specific: R=Required, O=Optional, D=Dependent,
 A=Advised, N=Not used

Counter	No	Tag	St	MaxOcc	Level	Name
0050	5	MEA	D	1	1	Consignment volume (Total cube)

		Standard	Implementation	
Tag	Name	St Format	St Format	Usage / Remark
MEA				
6311	Measurement attribute code	M an..3	M an..3	AAX Consignment measurement
C502	Measurement details	C	R	
6313	Measured attribute code	C an..3	R an..3	ABJ Volume
6321	Measurement significance code	C an..3	N	Not used
6155	Non-discrete measurement name code	C an..17	N	Not used
6154	Non-discrete measurement name	C an..70	N	Not used
C174	Value/range	C	R	
6411	Measurement unit code	M an..3	M an..3	MTQ cubic metre
6314	Measurement value	C an..18	R n..9	
6162	Range minimum value	C n..18	N	Not used
6152	Range maximum value	C n..18	N	Not used
6432	Significant digits quantity	C n..2	N	Not used
7383	Surface or layer code	C an..3	N	Not used

Remark:

Required information for shipments managed by Volvo Logistics.

Example:

MEA+AAX+ABJ+MTQ: 4 '

No = Consecutive segment number
 MaxOcc = Maximum occurrence of the segment/group
 Counter = Counter of segment/group within the standard

St = Status
 Standard: M=Mandatory, C=Conditional
 User specific: R=Required, O=Optional, D=Dependent,
 A=Advised, N=Not used

Counter	No	Tag	St	MaxOcc	Level	Name
0080		SG1	R	1	1	Transport document reference
0090	6	RFF	M	1	1	Transport document reference

Standard			Implementation	
Tag	Name	St Format	St Format	Usage / Remark
RFF				
C506	Reference	M	M	
1153	Reference function code qualifier	M an..3	M an..3	AAS Transport document number AWB Air waybill number. For use in Volvo US. BM Bill of lading number. For use in Volvo US.
1154	Reference identifier	C an..35	R an..35	Reference number
1156	Document line identifier	C an..6	N	Not used
4000	Reference version identifier	C an..35	N	Not used
1060	Revision identifier	C an..6	N	Not used

Remark:

The identification number on the Transport Booking Request or the transport document, valid between Consignor/Supplier, Carrier and Volvo.

Note:**Primary rule:**

When using the Volvo Logistics ATLAS system to generate the Transport Booking Request, the ATLAS Shipment Reference Number (SRN) should always be the reference given in element 1154.

In other cases:

The element 1154 shall contain a reference to the transport document number.

When agreement is made to use the Volvo Transport Document (VTD) as transport document, this document will replace any other international or domestic transport document.

Note:

The reference number must be clearly shown on the Transport document and be identical to the number given in the data element 1154 in this RFF segment.

For more information, see the Transport Instructions.

Example:

RFF+AAS:S00453805100701'

No = Consecutive segment number
MaxOcc = Maximum occurrence of the segment/group
Counter = Counter of segment/group within the standard

St = Status
Standard: M=Mandatory, C=Conditional
User specific: R=Required, O=Optional, D=Dependent,
A=Advised, N=Not used

Counter	No	Tag	St	MaxOcc	Level	Name
0080		SG1	D	1	1	Reference to KANBAN message Number
0090	7	RFF	M	1	1	Customer Reference Number

Standard			Implementation	
Tag	Name	St Format	St Format	Usage / Remark
RFF				
C506	Reference	M	M	
1153	Reference function code qualifier	M an..3	M an..3	CR Customer reference number
1154	Reference identifier	C an..35	R an..35	Reference number
1156	Document line identifier	C an..6	N	Not used
4000	Reference version identifier	C an..35	N	Not used
1060	Revision identifier	C an..6	N	Not used

Remark:

Segment will only be used after special agreement.

Example:

RFF+CR: 74'

No = Consecutive segment number
 MaxOcc = Maximum occurrence of the segment/group
 Counter = Counter of segment/group within the standard

St = Status
 Standard: M=Mandatory, C=Conditional
 User specific: R=Required, O=Optional, D=Dependent,
 A=Advised, N=Not used

Counter	No	Tag	St	MaxOcc	Level	Name
0110		SG2	R	1	1	ShipTo
0120	8	NAD	M	1	1	ShipTo's name and address

Standard			Implementation	
Tag	Name	St Format	St Format	Usage / Remark
NAD				
3035	Party function code qualifier	M an..3	M an..3	ST Ship to
C082	Party identification details	C	R	
3039	Party identifier	M an..35	M an..35	Volvo's plant number.
1131	Code list identification code	C an..3	N	Not used
3055	Code list responsible agency code	C an..3	R an..3	92 Assigned by buyer or buyer's agent
C058	Name and address	C	N	
3124	Name and address description	M an..35	N	Not used
3124	Name and address description	C an..35	N	Not used
3124	Name and address description	C an..35	N	Not used
3124	Name and address description	C an..35	N	Not used
3124	Name and address description	C an..35	N	Not used
C080	Party name	C	N	
3036	Party name	M an..35	N	Not used
3036	Party name	C an..35	N	Not used
3036	Party name	C an..35	N	Not used
3036	Party name	C an..35	N	Not used
3036	Party name	C an..35	N	Not used
3045	Party name format code	C an..3	N	Not used
C059	Street	C	N	
3042	Street and number or post office box identifier	M an..35	N	Not used
3042	Street and number or post office box identifier	C an..35	N	Not used
3042	Street and number or post office box identifier	C an..35	N	Not used
3042	Street and number or post office box identifier	C an..35	N	Not used
3164	City name	C an..35	N	Not used
C819	Country sub-entity details	C	N	
3229	Country sub-entity name code	C an..9	N	Not used
1131	Code list identification code	C an..3	N	Not used
3055	Code list responsible agency code	C an..3	N	Not used
3228	Country sub-entity name	C an..35	N	Not used
3251	Postal identification code	C an..17	N	Not used
3207	Country name code	C an..3	N	Not used

Remark:**Example:**

NAD+ST+4388: :92'

No = Consecutive segment number
 MaxOcc = Maximum occurrence of the segment/group
 Counter = Counter of segment/group within the standard

St = Status
 Standard: M=Mandatory, C=Conditional
 User specific: R=Required, O=Optional, D=Dependent,
 A=Advised, N=Not used

Counter	No	Tag	St	MaxOcc	Level	Name
	0110	SG2	R	1	1	ShipTo
	0130	9 LOC	R	1	2	Place of discharge

Standard			Implementation	
Tag	Name	St Format	St Format	Usage / Remark
LOC				
3227	Location function code qualifier	M an..3	M an..3	11 Place/port of discharge
C517	Location identification	C	R	
3225	Location name code	C an..25	R an..25	Volvo's identity on Place of Discharge
1131	Code list identification code	C an..3	N	Not used
3055	Code list responsible agency code	C an..3	R an..3	92 Assigned by buyer or buyer's agent
3224	Location name	C an..256	N	Not used
C519	Related location one identification	C	N	
3223	First related location name code	C an..25	N	Not used
1131	Code list identification code	C an..3	N	Not used
3055	Code list responsible agency code	C an..3	N	Not used
3222	First related location name	C an..70	N	Not used
C553	Related location two identification	C	N	
3233	Second related location name code	C an..25	N	Not used
1131	Code list identification code	C an..3	N	Not used
3055	Code list responsible agency code	C an..3	N	Not used
3232	Second related location name	C an..70	N	Not used
5479	Relation code	C an..3	N	Not used

Remark:**Example:**

LOC+11+556:::92'

No = Consecutive segment number
 MaxOcc = Maximum occurrence of the segment/group
 Counter = Counter of segment/group within the standard

St = Status
 Standard: M=Mandatory, C=Conditional
 User specific: R=Required, O=Optional, D=Dependent,
 A=Advised, N=Not used

Counter	No	Tag	St	MaxOcc	Level	Name
0110		SG2	D	1	1	Seller
This segment group is required when Ship From and Seller have been allocated different numbers by the Buyer.						
0120	10	NAD	M	1	1	Seller's name and address

Standard			Implementation	
Tag	Name	St Format	St Format	Usage / Remark
NAD				
3035	Party function code qualifier	M an..3	M an..3	SE Seller
C082	Party identification details	C	R	
3039	Party identifier	M an..35	M an..35	
1131	Code list identification code	C an..3	N	Not used
3055	Code list responsible agency code	C an..3	R an..3	92 Assigned by buyer or buyer's agent
C058	Name and address	C	N	
3124	Name and address description	M an..35	N	Not used
3124	Name and address description	C an..35	N	Not used
3124	Name and address description	C an..35	N	Not used
3124	Name and address description	C an..35	N	Not used
3124	Name and address description	C an..35	N	Not used
C080	Party name	C	N	
3036	Party name	M an..35	N	Not used
3036	Party name	C an..35	N	Not used
3036	Party name	C an..35	N	Not used
3036	Party name	C an..35	N	Not used
3036	Party name	C an..35	N	Not used
3045	Party name format code	C an..3	N	Not used
C059	Street	C	N	
3042	Street and number or post office box identifier	M an..35	N	Not used
3042	Street and number or post office box identifier	C an..35	N	Not used
3042	Street and number or post office box identifier	C an..35	N	Not used
3042	Street and number or post office box identifier	C an..35	N	Not used
3164	City name	C an..35	N	Not used
C819	Country sub-entity details	C	N	
3229	Country sub-entity name code	C an..9	N	Not used
1131	Code list identification code	C an..3	N	Not used
3055	Code list responsible agency code	C an..3	N	Not used
3228	Country sub-entity name	C an..35	N	Not used
3251	Postal identification code	C an..17	N	Not used
3207	Country name code	C an..3	N	Not used

Remark:**Example:**

NAD+SE+6124::92'

No = Consecutive segment number
 MaxOcc = Maximum occurrence of the segment/group
 Counter = Counter of segment/group within the standard

St = Status
 Standard: M=Mandatory, C=Conditional
 User specific: R=Required, O=Optional, D=Dependent,
 A=Advised, N=Not used

Counter	No	Tag	St	MaxOcc	Level	Name	
	0110	SG2	R	1	1	Carrier	
	0120	11	NAD	M	1	1	Carrier's name and address

Standard			Implementation		
Tag	Name	St Format	St Format	Usage / Remark	
NAD					
3035	Party function code qualifier	M an..3	M an..3	CA	Carrier
C082	Party identification details	C	R		
3039	Party identifier	M an..35	M an..35		
1131	Code list identification code	C an..3	N		Not used
3055	Code list responsible agency code	C an..3	R an..3	92 167	Assigned by buyer or buyer's agent US, AIAG (Automotive Industry Action Group) When using SCAC code in US
C058	Name and address	C	N		
3124	Name and address description	M an..35	N		Not used
3124	Name and address description	C an..35	N		Not used
3124	Name and address description	C an..35	N		Not used
3124	Name and address description	C an..35	N		Not used
3124	Name and address description	C an..35	N		Not used
C080	Party name	C	N		
3036	Party name	M an..35	N		Not used
3036	Party name	C an..35	N		Not used
3036	Party name	C an..35	N		Not used
3036	Party name	C an..35	N		Not used
3036	Party name	C an..35	N		Not used
3045	Party name format code	C an..3	N		Not used
C059	Street	C	N		
3042	Street and number or post office box identifier	M an..35	N		Not used
3042	Street and number or post office box identifier	C an..35	N		Not used
3042	Street and number or post office box identifier	C an..35	N		Not used
3042	Street and number or post office box identifier	C an..35	N		Not used
3164	City name	C an..35	N		Not used
C819	Country sub-entity details	C	N		
3229	Country sub-entity name code	C an..9	N		Not used
1131	Code list identification code	C an..3	N		Not used
3055	Code list responsible agency code	C an..3	N		Not used
3228	Country sub-entity name	C an..35	N		Not used
3251	Postal identification code	C an..17	N		Not used
3207	Country name code	C an..3	N		Not used

Remark:**Example:**

NAD+CA+UPSB::167'

No = Consecutive segment number
 MaxOcc = Maximum occurrence of the segment/group
 Counter = Counter of segment/group within the standard

St = Status
 Standard: M=Mandatory, C=Conditional
 User specific: R=Required, O=Optional, D=Dependent,
 A=Advised, N=Not used

Counter	No	Tag	St	MaxOcc	Level	Name	
	0110	SG2	R	1	1	Ship from	
	0120	12	NAD	M	1	1	Ship From's Name and address

Standard			Implementation	
Tag	Name	St Format	St Format	Usage / Remark
NAD				
3035	Party function code qualifier	M an..3	M an..3	SF Ship from
C082	Party identification details	C	R	
3039	Party identifier	M an..35	R an..35	The number allocated to the Ship From, sending the goods.
1131	Code list identification code	C an..3	N	Not used
3055	Code list responsible agency code	C an..3	R an..3	92 Assigned by buyer or buyer's agent
C058	Name and address	C	N	
3124	Name and address description	M an..35	N	Not used
3124	Name and address description	C an..35	N	Not used
3124	Name and address description	C an..35	N	Not used
3124	Name and address description	C an..35	N	Not used
3124	Name and address description	C an..35	N	Not used
C080	Party name	C	N	
3036	Party name	M an..35	N	Not used
3036	Party name	C an..35	N	Not used
3036	Party name	C an..35	N	Not used
3036	Party name	C an..35	N	Not used
3036	Party name	C an..35	N	Not used
3045	Party name format code	C an..3	N	Not used
C059	Street	C	N	
3042	Street and number or post office box identifier	M an..35	N	Not used
3042	Street and number or post office box identifier	C an..35	N	Not used
3042	Street and number or post office box identifier	C an..35	N	Not used
3042	Street and number or post office box identifier	C an..35	N	Not used
3164	City name	C an..35	N	Not used
C819	Country sub-entity details	C	N	
3229	Country sub-entity name code	C an..9	N	Not used
1131	Code list identification code	C an..3	N	Not used
3055	Code list responsible agency code	C an..3	N	Not used
3228	Country sub-entity name	C an..35	N	Not used
3251	Postal identification code	C an..17	N	Not used
3207	Country name code	C an..3	N	Not used

Remark:**Example:**

NAD+SF+6037: :92'

No = Consecutive segment number
 MaxOcc = Maximum occurrence of the segment/group
 Counter = Counter of segment/group within the standard

St = Status
 Standard: M=Mandatory, C=Conditional
 User specific: R=Required, O=Optional, D=Dependent,
 A=Advised, N=Not used

Counter	No	Tag	St	MaxOcc	Level	Name
0240		SG6	D	10	1	Means of transport To be used in US after special agreement.
0250	13	TDT	M	1	1	Details of transport

Standard			Implementation	
Tag	Name	St Format	St Format	Usage / Remark
TDT				
8051	Transport stage code qualifier	M an..3	M an..3	12 At departure
8028	Means of transport journey identifier	C an..17	N	Not used
C220	Mode of transport	C	N	
8067	Transport mode name code	C an..3	N	Not used
8066	Transport mode name	C an..17	N	Not used
C228	Transport means	C	D	
8179	Transport means description code	C an..8	R an..8	9 13 31 Exceptional transport. Used in US for Less than trailer load (LT) Ocean vessel. Used in US Truck. Used in US for Motor carrier (M), full trailer load.
8178	Transport means description	C an..17	N	Not used
C040	Carrier	C	N	
3127	Carrier identifier	C an..17	N	Not used
1131	Code list identification code	C an..3	N	Not used
3055	Code list responsible agency code	C an..3	N	Not used
3128	Carrier name	C an..35	N	Not used
8101	Transit direction indicator code	C an..3	N	Not used
C401	Excess transportation information	C	N	
8457	Excess transportation reason code	M an..3	N	Not used
8459	Excess transportation responsibility code	M an..3	N	Not used
7130	Customer shipment authorisation identifier	C an..17	N	Not used
C222	Transport identification	C	R	
8213	Transport means identification name identifier	C an..9	R an..9	
1131	Code list identification code	C an..3	N	Not used
3055	Code list responsible agency code	C an..3	N	Not used
8212	Transport means identification name	C an..35	N	Not used
8453	Transport means nationality code	C an..3	N	Not used
8281	Transport means ownership indicator code	C an..3	N	Not used

Remark:**Example:**

TDT+12+++13++++HPG324'

No = Consecutive segment number
 MaxOcc = Maximum occurrence of the segment/group
 Counter = Counter of segment/group within the standard

St = Status
 Standard: M=Mandatory, C=Conditional
 User specific: R=Required, O=Optional, D=Dependent,
 A=Advised, N=Not used

Counter	No	Tag	St	MaxOcc	Level	Name
0390		SG10	R	9999	1	Despatch control line / group of inner packaging items and article line
This segment group shall be repeated for each part number delivered to the same place of discharge.						
0400	14	CPS	M	1	1	Consignment packing sequence

		Standard	Implementation		
Tag	Name	St Format	St Format	Usage / Remark	
CPS					
7164	Hierarchical structure level identifier	M an..35	M n..6	Line Number The values of this Line Number shall not duplicate other occurrences of the CPS.	
7166	Hierarchical structure parent identifier	C an..35	N	Not used	
7075	Packaging level code	C an..3	R an..3	1	Inner

Remark:**Example:**

CPS+1++1'

No = Consecutive segment number
 MaxOcc = Maximum occurrence of the segment/group
 Counter = Counter of segment/group within the standard

St = Status
 Standard: M=Mandatory, C=Conditional
 User specific: R=Required, O=Optional, D=Dependent,
 A=Advised, N=Not used

Counter	No	Tag	St	MaxOcc	Level	Name
0430		SG11	R	9999	2	Group of inner packaging items
This segment group shall be repeated when an article is packed in different package types or if the same article is packed in the same package type but with different quantities.						
0440	15	PAC	M	1	2	Package

		Standard	Implementation	
Tag	Name	St Format	St Format	Usage / Remark
PAC				
7224	Package quantity	C n..8	R n..6	Package quantity Number of packages
C531	Packaging details	C	N	
7075	Packaging level code	C an..3	N	Not used
7233	Packaging related description code	C an..3	N	Not used
7073	Packaging terms and conditions code	C an..3	N	Not used
C202	Package type	C	R	
7065	Package type description code	C an..17	R an..17	Volvo's reference number for the type of packaging used.
1131	Code list identification code	C an..3	N	Not used
3055	Code list responsible agency code	C an..3	R an..3	Code List Responsible Agency 92 Assigned by buyer or buyer's agent
7064	Type of packages	C an..35	N	Not used
C402	Package type identification	C	N	
7077	Description format code	M an..3	N	Not used
7064	Type of packages	M an..35	N	Not used
7143	Item type identification code	C an..3	N	Not used
7064	Type of packages	C an..35	N	Not used
7143	Item type identification code	C an..3	N	Not used
C532	Returnable package details	C	N	
8395	Returnable package freight payment responsibility code	C an..3	N	Not used
8393	Returnable package load contents code	C an..3	N	Not used

Remark:

The number of packages corresponds to the total number of packages of the same type (given in data element 7065). They may be in one or more handling units.

Describes the inner package and will then be connected to the handling unit via RFF with qualifier ACI.

If no inner package is used, the package as simplified handling unit, without RFF, will be described here.

Example:

PAC+3++207461:::92'

No = Consecutive segment number
MaxOcc = Maximum occurrence of the segment/group
Counter = Counter of segment/group within the standard

St = Status
Standard: M=Mandatory, C=Conditional
User specific: R=Required, O=Optional, D=Dependent,
A=Advised, N=Not used

Counter	No	Tag	St	MaxOcc	Level	Name
0430		SG11	R	9999	2	Group of inner packaging items
This segment group shall be repeated when an article is packed in different package types or if the same article is packed in the same package type but with different quantities.						
0460	16	QTY	R	1	3	Actual quantity per package

		Standard	Implementation		
Tag	Name	St Format	St Format	Usage / Remark	
QTY					
C186	Quantity details	M	M		
6063	Quantity type code qualifier	M an..3	M an..3	52	Quantity per pack
6060	Quantity	M an..35	M n..10	Quantity of articles in the package.	
6411	Measurement unit code	C an..3	D an..3	Default value is C62	
				C62	one

Remark:

Quantity of articles in the package.

Example:

QTY+52:150:C62'

No = Consecutive segment number
 MaxOcc = Maximum occurrence of the segment/group
 Counter = Counter of segment/group within the standard

St = Status
 Standard: M=Mandatory, C=Conditional
 User specific: R=Required, O=Optional, D=Dependent,
 A=Advised, N=Not used

Counter	No	Tag	St	MaxOcc	Level	Name
0500		SG13	R	1000	3	Individual packaging item
This segment group shall be repeated when one article's packages refer to different handling units.						
0510	17	PCI	M	1	3	Package identification

Standard			Implementation	
Tag	Name	St Format	St Format	Usage / Remark
PCI				
4233	Marking instructions code	C an..3	N	Not used
C210	Marks & labels	C	N	
7102	Shipping marks description	M an..35	N	Not used
7102	Shipping marks description	C an..35	N	Not used
7102	Shipping marks description	C an..35	N	Not used
7102	Shipping marks description	C an..35	N	Not used
7102	Shipping marks description	C an..35	N	Not used
7102	Shipping marks description	C an..35	N	Not used
7102	Shipping marks description	C an..35	N	Not used
7102	Shipping marks description	C an..35	N	Not used
7102	Shipping marks description	C an..35	N	Not used
7102	Shipping marks description	C an..35	N	Not used
8275	Container or package contents indicator code	C an..3	N	Not used
C827	Type of marking	C	R	
7511	Marking type code	M an..3	M an..3	Label identifier coded Handling Unit Category 1J Unique license plate number lowest package level (unbreakable unit). Simplified handling unit 5J Unique license plate number mixed load. Mixed handling unit. 6J Unique license plate number assigned to a master load. Homogeneous handling unit. G Mixed handling unit M Homogeneous handling unit S Simplified handling unit / Inner package 1J, 5J, and 6J shall be used when license plate is required.
1131	Code list identification code	C an..3	N	Not used
3055	Code list responsible agency code	C an..3	R an..3	10 ODETTE Used for G, M, S 5 ISO (International Organization for Standardization) Used for 1J, 5J, 6J

Remark:**Example:**

PCI++++1J:::5'

No = Consecutive segment number
 MaxOcc = Maximum occurrence of the segment/group
 Counter = Counter of segment/group within the standard

St = Status
 Standard: M=Mandatory, C=Conditional
 User specific: R=Required, O=Optional, D=Dependent,
 A=Advised, N=Not used

Counter	No	Tag	St	MaxOcc	Level	Name
0500		SG13	R	1000	3	Individual packaging item
This segment group shall be repeated when one article's packages refer to different handling units.						
0520	18	RFF	D	1	4	Reference to outer package

Standard			Implementation	
Tag	Name	St Format	St Format	Usage / Remark
RFF				
C506	Reference	M	M	
1153	Reference function code qualifier	M an..3	M an..3	ACI Outer packaging unit identification
1154	Reference identifier	C an..35	R an..9	Reference to outer package. (Handling Unit)
1156	Document line identifier	C an..6	N	Not used
4000	Reference version identifier	C an..35	N	Not used
1060	Revision identifier	C an..6	N	Not used

Remark:

This segment group will only be used when homogenous or mixed handling unit is used.

Reference to the label identification of the handling unit which contains the packages identified in the GIN-segment(s) below the same PCI-segment occurrence.

Example:

RFF+ACI:10001234'

No = Consecutive segment number
 MaxOcc = Maximum occurrence of the segment/group
 Counter = Counter of segment/group within the standard

St = Status
 Standard: M=Mandatory, C=Conditional
 User specific: R=Required, O=Optional, D=Dependent,
 A=Advised, N=Not used

Counter	No	Tag	St	MaxOcc	Level	Name
0540		SG14	D	99	4	Production batch
This segment group is required when special traceability is required. Volvo will inform suppliers concerned.						
0550	19	GIR	M	1	4	Trigger segment

		Standard	Implementation		
Tag	Name	St Format	St Format	Usage / Remark	
GIR					
7297	Set type code qualifier	M an..3	M an..3	1	Product
C206	Identification number	M	M		
7402	Object identifier	M an..35	M an..35		
7405	Object identification code qualifier	C an..3	R an..3	BX	Batch Number
4405	Status description code	C an..3	N		Not used
C206	Identification number	C	N		
7402	Object identifier	M an..35	N		Not used
7405	Object identification code qualifier	C an..3	N		Not used
4405	Status description code	C an..3	N		Not used
C206	Identification number	C	N		
7402	Object identifier	M an..35	N		Not used
7405	Object identification code qualifier	C an..3	N		Not used
4405	Status description code	C an..3	N		Not used
C206	Identification number	C	N		
7402	Object identifier	M an..35	N		Not used
7405	Object identification code qualifier	C an..3	N		Not used
4405	Status description code	C an..3	N		Not used
C206	Identification number	C	N		
7402	Object identifier	M an..35	N		Not used
7405	Object identification code qualifier	C an..3	N		Not used
4405	Status description code	C an..3	N		Not used

Remark:**Example:**

GIR+1+122200:BX'

No = Consecutive segment number
 MaxOcc = Maximum occurrence of the segment/group
 Counter = Counter of segment/group within the standard

St = Status
 Standard: M=Mandatory, C=Conditional
 User specific: R=Required, O=Optional, D=Dependent,
 A=Advised, N=Not used

Counter	No	Tag	St	MaxOcc	Level	Name
0570		SG15	R	99	4	Label number(s)
The total number of SG15 in a SG 13 shall not exceed 99 times. The serial numbers must not be repeated within one year.						
0580	20	GIN	M	1	4	Label serial number(s)

		Standard	Implementation	
Tag	Name	St Format	St Format	Usage / Remark
GIN				
7405	Object identification code qualifier	M an..3	M an..3	ML Marking/label number Identity Number Type
C208	Identity number range	M	M	
7402	Object identifier	M an..35	R n..9	Identity Number (Package Label Number)
7402	Object identifier	C an..35	N	Not used
C208	Identity number range	C	D	
7402	Object identifier	M an..35	R n..9	Identity Number (Package Label Number)
7402	Object identifier	C an..35	N	Not used
C208	Identity number range	C	D	
7402	Object identifier	M an..35	R n..9	Identity Number (Package Label Number)
7402	Object identifier	C an..35	N	Not used
C208	Identity number range	C	D	
7402	Object identifier	M an..35	R n..9	Identity Number (Package Label Number)
7402	Object identifier	C an..35	N	Not used
C208	Identity number range	C	D	
7402	Object identifier	M an..35	R n..9	Identity Number (Package Label Number)
7402	Object identifier	C an..35	N	Not used

Remark:**Example:**

GIN+ML+20056789+20056790+20056791+20056792+20056793 '

No = Consecutive segment number
MaxOcc = Maximum occurrence of the segment/group
Counter = Counter of segment/group within the standard

St = Status
Standard: M=Mandatory, C=Conditional
User specific: R=Required, O=Optional, D=Dependent,
A=Advised, N=Not used

Counter	No	Tag	St	MaxOcc	Level	Name
0570		SG15	D	99	4	Kanban card number
The total number of SG15 in a SG 13 shall not exceed 99 times.						
0580	21	GIN	M	1	4	Kanban card number

		Standard	Implementation		
Tag	Name	St Format	St Format	Usage / Remark	
GIN					
7405	Object identification code qualifier	M an..3	M an..3	AL	Kanban card number
C208	Identity number range	M	M		
7402	Object identifier	M an..35	M an..10	KANBAN card number	
7402	Object identifier	C an..35	N	Not used	
C208	Identity number range	C	C		
7402	Object identifier	M an..35	M an..35		
7402	Object identifier	C an..35	N	Not used	
C208	Identity number range	C	C		
7402	Object identifier	M an..35	M an..35		
7402	Object identifier	C an..35	N	Not used	
C208	Identity number range	C	C		
7402	Object identifier	M an..35	M an..35		
7402	Object identifier	C an..35	N	Not used	
C208	Identity number range	C	C		
7402	Object identifier	M an..35	M an..35		
7402	Object identifier	C an..35	N	Not used	

Remark:

The segment is used to give information about the KANBAN number for those components which are identified as individual units.

Example:

GIN+AL+001+002+003+004+005'

No = Consecutive segment number
 MaxOcc = Maximum occurrence of the segment/group
 Counter = Counter of segment/group within the standard

St = Status
 Standard: M=Mandatory, C=Conditional
 User specific: R=Required, O=Optional, D=Dependent,
 A=Advised, N=Not used

Counter	No	Tag	St	MaxOcc	Level	Name
0650		SG17	R	1	2	Article and Despatched Article
0660	22	LIN	M	1	2	Line item

Standard			Implementation	
Tag	Name	St Format	St Format	Usage / Remark
LIN				
1082	Line item identifier	C an..6	N	Not used
1229	Action request/notification description code	C an..3	N	Not used
C212	Item number identification	C	R	
7140	Item identifier	C an..35	R an..35	Volvo's article number.
7143	Item type identification code	C an..3	R an..3	IN Buyer's item number
1131	Code list identification code	C an..3	N	Not used
3055	Code list responsible agency code	C an..3	N	Not used
C829	Sub-line information	C	D	This composite shall only be used when the despatch advice is based on an order message
5495	Sub-line indicator code	C an..3	N	Not used
1082	Line item identifier	C an..6	R an..6	
1222	Configuration level number	C n..2	N	Not used
7083	Configuration operation code	C an..3	N	Not used

Remark:**Example:**

LIN+++1137005:IN'

No = Consecutive segment number
 MaxOcc = Maximum occurrence of the segment/group
 Counter = Counter of segment/group within the standard

St = Status
 Standard: M=Mandatory, C=Conditional
 User specific: R=Required, O=Optional, D=Dependent,
 A=Advised, N=Not used

Counter	No	Tag	St	MaxOcc	Level	Name
0650		SG17	R	1	2	Article and Despatched Article
0670	23	PIA	D	1	3	Additional product id

Standard			Implementation	
Tag	Name	St Format	St Format	Usage / Remark
PIA				
4347	Product identifier code qualifier	M an..3	R an..3	1 Additional identification
C212	Item number identification	M	M	
7140	Item identifier	C an..35	R an..35	
7143	Item type identification code	C an..3	R an..3	DR Drawing revision number
1131	Code list identification code	C an..3	N	Not used
3055	Code list responsible agency code	C an..3	N	Not used
C212	Item number identification	C	N	
7140	Item identifier	C an..35	N	Not used
7143	Item type identification code	C an..3	N	Not used
1131	Code list identification code	C an..3	N	Not used
3055	Code list responsible agency code	C an..3	N	Not used
C212	Item number identification	C	N	
7140	Item identifier	C an..35	N	Not used
7143	Item type identification code	C an..3	N	Not used
1131	Code list identification code	C an..3	N	Not used
3055	Code list responsible agency code	C an..3	N	Not used
C212	Item number identification	C	N	
7140	Item identifier	C an..35	N	Not used
7143	Item type identification code	C an..3	N	Not used
1131	Code list identification code	C an..3	N	Not used
3055	Code list responsible agency code	C an..3	N	Not used

Remark:
 Additional information about the article.
 This segment will only be used after special agreement.

Example:
 PIA+1+P04:DR'

No = Consecutive segment number
 MaxOcc = Maximum occurrence of the segment/group
 Counter = Counter of segment/group within the standard

St = Status
 Standard: M=Mandatory, C=Conditional
 User specific: R=Required, O=Optional, D=Dependent,
 A=Advised, N=Not used

Counter	No	Tag	St	MaxOcc	Level	Name
	0650	SG17	R	1	2	Article and Despatched Article
	0700	24 QTY	R	1	3	Despatched quantity

Standard			Implementation	
Tag	Name	St Format	St Format	Usage / Remark
QTY				
C186	Quantity details	M	M	
6063	Quantity type code qualifier	M an..3	M an..3	12 Despatch quantity
6060	Quantity	M an..35	M n..10	Quantity actually despatched
6411	Measurement unit code	C an..3	D an..3	Default value is C62
				C62 one

Remark:**Example:**

QTY+12:300:C62'

No = Consecutive segment number
 MaxOcc = Maximum occurrence of the segment/group
 Counter = Counter of segment/group within the standard

St = Status
 Standard: M=Mandatory, C=Conditional
 User specific: R=Required, O=Optional, D=Dependent,
 A=Advised, N=Not used

Counter	No	Tag	St	MaxOcc	Level	Name
0650		SG17	R	1	2	Article and Despatched Article
0710	25	ALI	D	1	3	Country of origin, duty regime and nature of transaction

Standard			Implementation	
Tag	Name	St Format	St Format	Usage / Remark
ALI				
3239	Country of origin name code	C an..3	R a2	
9213	Duty regime type code	C an..3	N	Not used
4183	Special condition code	C an..3	N	Not used
4183	Special condition code	C an..3	N	Not used
4183	Special condition code	C an..3	N	Not used
4183	Special condition code	C an..3	N	Not used
4183	Special condition code	C an..3	N	Not used

Remark:

Required information for trade between countries that have a free trade agreement with the EU. In this case, confirmation is to be given if the delivered article complies with the terms for origin goods, specified in the current free trade agreement.

Example:

ALI+US'

No = Consecutive segment number
 MaxOcc = Maximum occurrence of the segment/group
 Counter = Counter of segment/group within the standard

St = Status
 Standard: M=Mandatory, C=Conditional
 User specific: R=Required, O=Optional, D=Dependent,
 A=Advised, N=Not used

Counter	No	Tag	St	MaxOcc	Level	Name
0650		SG17	R	1	2	Article and Despatched Article
0720	26	GIN	D	100	3	Serial Number(s)

Standard			Implementation	
Tag	Name	St Format	St Format	Usage / Remark
GIN				
7405	Object identification code qualifier	M an..3	M an..3	Identity Number Type BN Serial number
C208	Identity number range	M	M	
7402	Object identifier	M an..35	M an..35	Identity Number
7402	Object identifier	C an..35	N	Not used
C208	Identity number range	C	D	Further identity number
7402	Object identifier	M an..35	M an..35	Identity Number
7402	Object identifier	C an..35	N	Not used
C208	Identity number range	C	D	Further identity number
7402	Object identifier	M an..35	M an..35	Identity Number
7402	Object identifier	C an..35	N	Not used
C208	Identity number range	C	D	Further identity number
7402	Object identifier	M an..35	M an..35	Identity Number
7402	Object identifier	C an..35	N	Not used
C208	Identity number range	C	D	Further identity number
7402	Object identifier	M an..35	M an..35	Identity Number
7402	Object identifier	C an..35	N	Not used

Remark:

The segment is used to give information about the serial number, manufacturing number, etc. for those components which are identified as individual units.

If more than one identity will be given, use primarily the first five appearances of C208, before you repeat the segment.

Example:

GIN+BN+1234+2345+3456+4567+5678'

No = Consecutive segment number
 MaxOcc = Maximum occurrence of the segment/group
 Counter = Counter of segment/group within the standard

St = Status
 Standard: M=Mandatory, C=Conditional
 User specific: R=Required, O=Optional, D=Dependent,
 A=Advised, N=Not used

Counter	No	Tag	St	MaxOcc	Level	Name
0650		SG17	R	1	2	Article and Despatched Article
0720	27	GIN	D	100	3	Engine Number(s)

Standard			Implementation	
Tag	Name	St Format	St Format	Usage / Remark
GIN				
7405	Object identification code qualifier	M an..3	M an..3	EE Engine number Identity Number Type
C208	Identity number range	M	M	
7402	Object identifier	M an..35	M an..35	Identity Number
7402	Object identifier	C an..35	N	Not used
C208	Identity number range	C	D	Further identity number
7402	Object identifier	M an..35	M an..35	Identity Number
7402	Object identifier	C an..35	N	Not used
C208	Identity number range	C	D	Further identity number
7402	Object identifier	M an..35	M an..35	Identity Number
7402	Object identifier	C an..35	N	Not used
C208	Identity number range	C	D	Further identity number
7402	Object identifier	M an..35	M an..35	Identity Number
7402	Object identifier	C an..35	N	Not used
C208	Identity number range	C	D	Further identity number
7402	Object identifier	M an..35	M an..35	Identity Number
7402	Object identifier	C an..35	N	Not used

Remark:

The segment is used to give information about the serial number, manufacturing number, etc. for those components which are identified as individual units.

If more than one identity will be given, use primarily the first five appearances of C208, before you repeat the segment.

Example:

GIN+EE+1234+2345+3456+4567+5678'

No = Consecutive segment number
MaxOcc = Maximum occurrence of the segment/group
Counter = Counter of segment/group within the standard

St = Status
Standard: M=Mandatory, C=Conditional
User specific: R=Required, O=Optional, D=Dependent,
A=Advised, N=Not used

Counter	No	Tag	St	MaxOcc	Level	Name
0650		SG17	R	1	2	Article and Despatched Article
0720	28	GIN	D	100	3	Vehicle Identity Number(s)

Standard			Implementation	
Tag	Name	St Format	St Format	Usage / Remark
GIN				
7405	Object identification code qualifier	M an..3	M an..3	Identity Number Type VV Vehicle identity number
C208	Identity number range	M	M	
7402	Object identifier	M an..35	M an..35	Identity Number
7402	Object identifier	C an..35	N	Not used
C208	Identity number range	C	D	Further identity number
7402	Object identifier	M an..35	M an..35	Identity Number
7402	Object identifier	C an..35	N	Not used
C208	Identity number range	C	D	Further identity number
7402	Object identifier	M an..35	M an..35	Identity Number
7402	Object identifier	C an..35	N	Not used
C208	Identity number range	C	D	Further identity number
7402	Object identifier	M an..35	M an..35	Identity Number
7402	Object identifier	C an..35	N	Not used
C208	Identity number range	C	D	Further identity number
7402	Object identifier	M an..35	M an..35	Identity Number
7402	Object identifier	C an..35	N	Not used

Remark:

The segment is used to give information about the serial number, manufacturing number, etc. for those components which are identified as individual units.

If more than one identity will be given, use primarily the first five appearances of C208, before you repeat the segment.

Example:

GIN+VV+1234+2345+3456+4567+5678'

No = Consecutive segment number
 MaxOcc = Maximum occurrence of the segment/group
 Counter = Counter of segment/group within the standard

St = Status
 Standard: M=Mandatory, C=Conditional
 User specific: R=Required, O=Optional, D=Dependent,
 A=Advised, N=Not used

Counter	No	Tag	St	MaxOcc	Level	Name
0650		SG17	R	1	2	Article and Despatched Article
0810	29	MOA	D	1	3	Customs declared value

Standard			Implementation	
Tag	Name	St Format	St Format	Usage / Remark
MOA				
C516	Monetary amount	M	M	
5025	Monetary amount type code qualifier	M an..3	M an..3	40 Customs value
5004	Monetary amount	C n..35	R n..35	Customs declared value. The total invoiced amount for the article (Quantity x price). The value can be stated with a maximum of three decimals. An amount having a decimal separator, must have at least one digit before and after the separator. Ending zeroes should be omitted. Example: 5555:00 is stated 5555 or 5555.0 or 5555,0 5555:50 is stated 5555.5 or 5555,5 5555:55 is stated 5555.55 or 5555,55
6345	Currency identification code	C an..3	R an..3	
6343	Currency type code qualifier	C an..3	N	Not used
4405	Status description code	C an..3	N	Not used

Remark:

Required information for deliveries containing goods that are not in free circulation within the EU (not customs cleared within EU).

Example:

MOA+40:1000:EUR'

No = Consecutive segment number
MaxOcc = Maximum occurrence of the segment/group
Counter = Counter of segment/group within the standard

St = Status
Standard: M=Mandatory, C=Conditional
User specific: R=Required, O=Optional, D=Dependent,
A=Advised, N=Not used

Counter	No	Tag	St	MaxOcc	Level	Name
0820		SG18	R	1	3	Order reference
0830	30	RFF	M	1	3	Order reference

Standard			Implementation	
Tag	Name	St Format	St Format	Usage / Remark
RFF				
C506	Reference	M	M	
1153	Reference function code qualifier	M an..3	M an..3	ON Order number (purchase)
1154	Reference identifier	C an..35	R an..35	Order number for the specific article, without hyphens. To be obtained from the DELFOR message.
1156	Document line identifier	C an..6	D an..6	This data element will only be used after special agreement.
4000	Reference version identifier	C an..35	N	Not used
1060	Revision identifier	C an..6	N	Not used

Remark:**Example:**

RFF+ON: 323906128566:1'

No = Consecutive segment number
 MaxOcc = Maximum occurrence of the segment/group
 Counter = Counter of segment/group within the standard

St = Status
 Standard: M=Mandatory, C=Conditional
 User specific: R=Required, O=Optional, D=Dependent,
 A=Advised, N=Not used

Counter	No	Tag	St	MaxOcc	Level	Name
0820		SG18	D	1	3	Invoice reference
Required information for deliveries containing goods that are not in free circulation within the EU (not customs cleared within EU).						
0830	31	RFF	M	1	3	Invoice reference

Standard			Implementation	
Tag	Name	St Format	St Format	Usage / Remark
RFF				
C506	Reference	M	M	
1153	Reference function code qualifier	M an..3	M an..3	IV Invoice number
1154	Reference identifier	C an..35	R an..35	
1156	Document line identifier	C an..6	N	Not used
4000	Reference version identifier	C an..35	N	Not used
1060	Revision identifier	C an..6	N	Not used

Remark:**Example:**

RFF+IV:123456'

No = Consecutive segment number
 MaxOcc = Maximum occurrence of the segment/group
 Counter = Counter of segment/group within the standard

St = Status
 Standard: M=Mandatory, C=Conditional
 User specific: R=Required, O=Optional, D=Dependent,
 A=Advised, N=Not used

Counter	No	Tag	St	MaxOcc	Level	Name
0820		SG18	D	1	3	Invoice reference Required information for deliveries containing goods that are not in free circulation within the EU (not customs cleared within EU).
0860	32	DTM	C	1	4	Date/time/period

Standard			Implementation		
Tag	Name	St Format	St Format	Usage / Remark	
DTM					
C507	Date/time/period	M	M		
2005	Date or time or period function code qualifier	M an..3	M an..3	171	Reference date/time
2380	Date or time or period value	C an..35	C n8		Invoice date This segment is required when the invoice reference is given (see preceding RFF)
2379	Date or time or period format code	C an..3	C an..3	102	CCYYMMDD

Remark:**Example:**

DTM+171:20060501:102'

No = Consecutive segment number
 MaxOcc = Maximum occurrence of the segment/group
 Counter = Counter of segment/group within the standard

St = Status
 Standard: M=Mandatory, C=Conditional
 User specific: R=Required, O=Optional, D=Dependent,
 A=Advised, N=Not used

Counter	No	Tag	St	MaxOcc	Level	Name
0820		SG18	D	99	3	Part consignment number reference
This segment group is used to give specific reference to an order line.						
0830	33	RFF	M	1	3	Reference

Standard			Implementation	
Tag	Name	St Format	St Format	Usage / Remark
RFF				
C506	Reference	M	M	
1153	Reference function code qualifier	M an..3	M an..3	AAP Part consignment number
1154	Reference identifier	C an..35	R an..35	Part consignment number
1156	Document line identifier	C an..6	N	Not used
4000	Reference version identifier	C an..35	N	Not used
1060	Revision identifier	C an..6	N	Not used

Remark:**Example:**

RFF+AAP:12345'

No = Consecutive segment number
 MaxOcc = Maximum occurrence of the segment/group
 Counter = Counter of segment/group within the standard

St = Status
 Standard: M=Mandatory, C=Conditional
 User specific: R=Required, O=Optional, D=Dependent,
 A=Advised, N=Not used

Counter	No	Tag	St	MaxOcc	Level	Name
0820		SG18	D	99	3	Module Reference Number
This segment group is only for JIT/JIS Flows This segment group is used to reference a specific module number (given by the customer). For VCE KANBAN flow the BGM.1004 from DELJIT message should be given.						
0830	34	RFF	M	1	3	Reference

Standard			Implementation	
Tag	Name	St Format	St Format	Usage / Remark
RFF				
C506	Reference	M	M	
1153	Reference function code qualifier	M an..3	M an..3	CR Customer reference number
1154	Reference identifier	C an..35	R an..35	Customer reference number
1156	Document line identifier	C an..6	N	Not used
4000	Reference version identifier	C an..35	N	Not used
1060	Revision identifier	C an..6	N	Not used

Remark:**Example:**

RFF+CR: 234567'

No = Consecutive segment number
 MaxOcc = Maximum occurrence of the segment/group
 Counter = Counter of segment/group within the standard

St = Status
 Standard: M=Mandatory, C=Conditional
 User specific: R=Required, O=Optional, D=Dependent,
 A=Advised, N=Not used

Counter	No	Tag	St	MaxOcc	Level	Name
0910		SG20	D	1	3	Internal place of destination This segment will only be used after special agreement.
0920	35	LOC	M	1	3	Place/location identification

		Standard	Implementation	
Tag	Name	St Format	St Format	Usage / Remark
LOC				
3227	Location function code qualifier	M an..3	M an..3	159 Additional internal destination
C517	Location identification	C	R	
3225	Location name code	C an..25	R an..25	Final unloading point. To be obtained from the DELFOR/DELJIT message.
1131	Code list identification code	C an..3	N	Not used
3055	Code list responsible agency code	C an..3	R an..3	92 Assigned by buyer or buyer's agent
3224	Location name	C an..256	N	Not used
C519	Related location one identification	C	N	
3223	First related location name code	C an..25	N	Not used
1131	Code list identification code	C an..3	N	Not used
3055	Code list responsible agency code	C an..3	N	Not used
3222	First related location name	C an..70	N	Not used
C553	Related location two identification	C	N	
3233	Second related location name code	C an..25	N	Not used
1131	Code list identification code	C an..3	N	Not used
3055	Code list responsible agency code	C an..3	N	Not used
3232	Second related location name	C an..70	N	Not used
5479	Relation code	C an..3	N	Not used

Remark:**Example:**

LOC+159+F-11 556::92'

No = Consecutive segment number
 MaxOcc = Maximum occurrence of the segment/group
 Counter = Counter of segment/group within the standard

St = Status
 Standard: M=Mandatory, C=Conditional
 User specific: R=Required, O=Optional, D=Dependent,
 A=Advised, N=Not used

Counter	No	Tag	St	MaxOcc	Level	Name
1150	36	UNT	M	1	0	Message trailer

Standard			Implementation	
Tag	Name	St Format	St Format	Usage / Remark
UNT				
0074	Number of segments in the message	M n..6	M n..6	Number of segments in the message
0062	Message reference number	M an..14	M an..14	Message reference number

Remark:**Example:**

UNT+187+1'

No = Consecutive segment number
 MaxOcc = Maximum occurrence of the segment/group
 Counter = Counter of segment/group within the standard

St = Status
 Standard: M=Mandatory, C=Conditional
 User specific: R=Required, O=Optional, D=Dependent,
 A=Advised, N=Not used