



Message Specification

## **VOLVO GLOBAL PRODAT D03A**

Based on:

**PRODAT**

Product data message

**Odette EDIFACT D.03A; 2003**

Version: 1  
Variant: 0  
Issue date: 2015-06-24  
Author: Volvo Information Technology AB

---

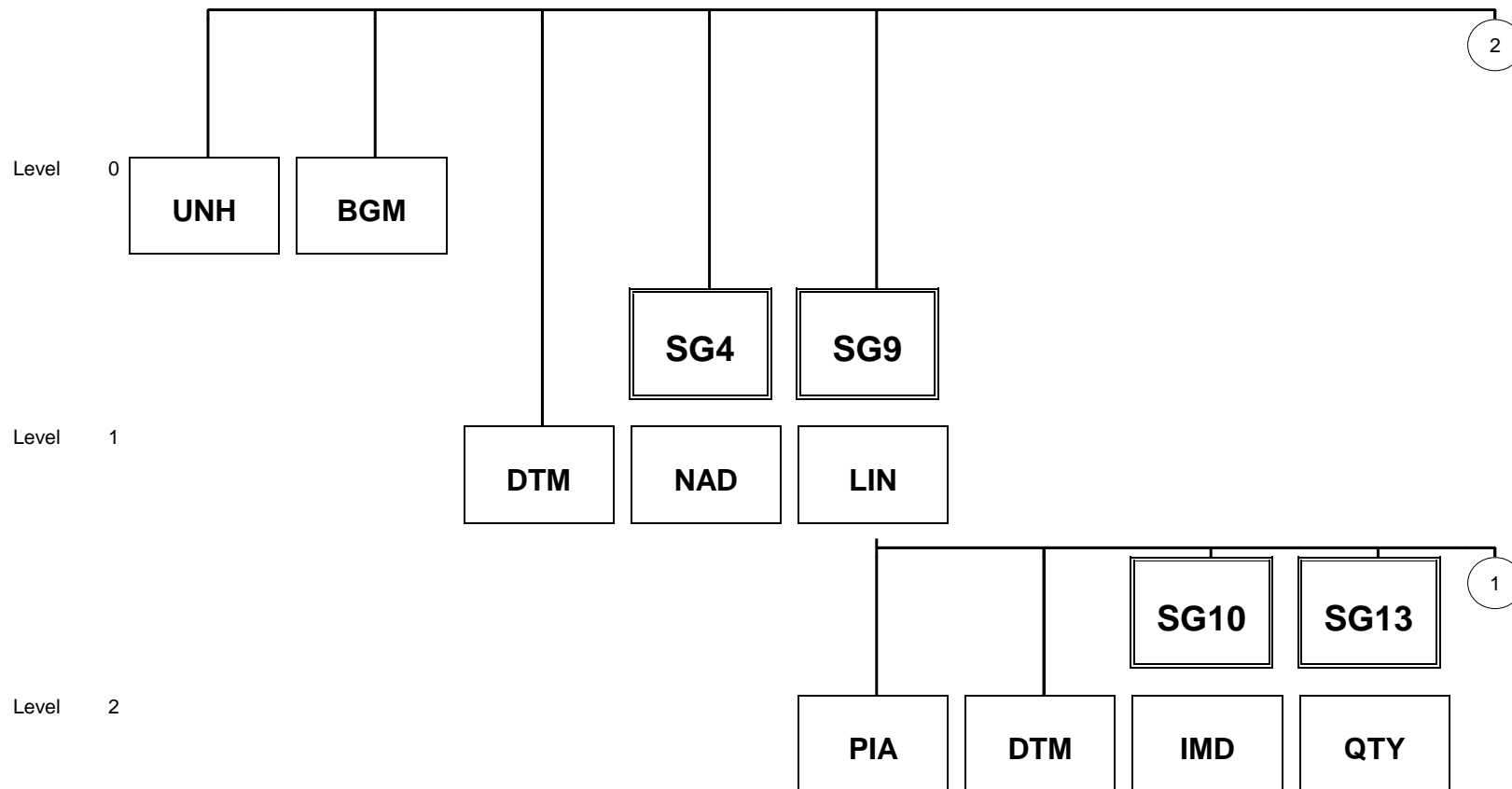
## Message Structure

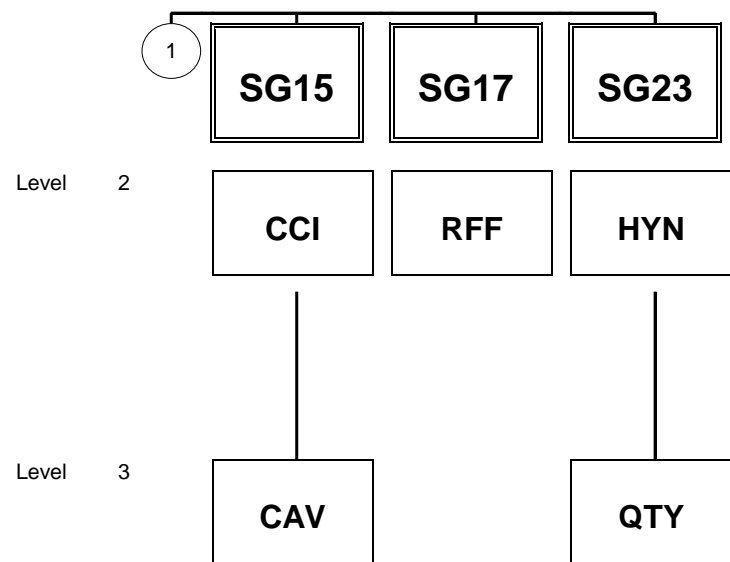
Counter	No	Tag	St	MaxOcc	Level	Content
0010	1	<b>UNH</b>	M	1	0	Message header
0020	2	<b>BGM</b>	M	1	0	Beginning of message
0030	3	<b>DTM</b>	M	1	1	Message date
0180		<b>SG4</b>	R	1	1	Buyer
0190	4	<b>NAD</b>	M	1	1	Buyer
0180		<b>SG4</b>	R	1	1	Seller
0190	5	<b>NAD</b>	M	1	1	Seller
0180		<b>SG4</b>	O	3	1	Other parties involved in the transaction
0190	6	<b>NAD</b>	M	1	1	Name and address
0370		<b>SG9</b>	R	999	1	Item Level
0380	7	<b>LIN</b>	M	1	1	Line item
0390	8	<b>PIA</b>	O	10	2	Engineering change ID
0400	9	<b>DTM</b>	O	2	2	Validity start and expiry date of the information
0460		<b>SG10</b>	O	1	2	Item description
0470	10	<b>IMD</b>	M	1	2	Description of article
0550		<b>SG13</b>	R	1	2	Standard Quantity
0560	11	<b>QTY</b>	M	1	2	Standard Quantity
0630		<b>SG15</b>	O	1	2	Vehicle / assembly related information
0640	12	<b>CCI</b>	M	1	2	Trigger segment
0650	13	<b>CAV</b>	R	10	3	Characteristic value
0700		<b>SG17</b>	D	1	2	Order number
0710	14	<b>RFF</b>	M	1	2	Reference
0950		<b>SG23</b>	R	99	2	Hierarchy information
0960	15	<b>HYN</b>	R	1	2	Hierarchy information
0980	16	<b>QTY</b>	D	1	3	In module quantity
1220	17	<b>UNT</b>	M	1	0	Message trailer

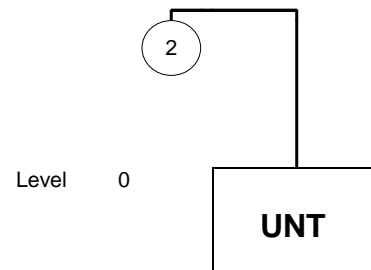
Counter = Counter of segment/group within the standard  
 No = Consecutive segment number  
 MaxOcc = Maximum occurrence of the segment/group

St = Status  
 EDIFACT: M=Mandatory, C=Conditional  
 User specific: R=Required, O=Optional, D=Dependent,  
 A=Advised, N=Not used

**Branching Diagram of Used Segments/Groups**







Segment:

**UNH**

 Seq. No.: 1 Level: 0  
 Status: M Max. Occ.: 1  
 Counter: 0010

Message header

Name: Message header

UN/EDIFACT			Implementation	
	Name	St Format	St Format	Use / Remarks
UNH				
0062	Message reference number	M an..14	M an..14	Message reference number - unique number to identify the message within the interchange, usually a consecutive number starting with 1.
S009	Message identifier	M	M	
0065	Message type	M an..6	M an6	<b>PRODAT Product data message</b>
0052	Message version number	M an..3	M an..3	<b>D Draft version/UN/EDIFACT Directory</b>
0054	Message release number	M an..3	M an..3	<b>03A Release 2003 - A</b>
0051	Controlling agency	M an..2	M an..2	<b>UN UN/CEFACT</b>
0057	Association assigned code	C an..6	R an6	Identification of the subset release, assigned by the responsible organisation (Odette resp. Joint Automotive Initiative Forum). <b>GBSJ11 Volvo Group PRODAT D03A</b>

Remark:

Example:

UNH+1+PRODAT:D:03A:UN:GBSJ11'

Segment:

**BGM**Seq. No.: 2 Level: 0  
Status: M Max. Occ.: 1  
Counter: 0020

Beginning of message

Name: Beginning of message

UN/EDIFACT			Implementation	
	Name	St Format	St Format	Use / Remarks
BGM				
C002	Document/message name	C	R	
1001	Document name code	C an..3	R an..3	<b>6</b> Product specification report
1131	Code list identification code	C an..17	N	not used
3055	Code list responsible agency code	C an..3	O an..3	<b>6</b> UN/ECE (United Nations - Economic Commission for Europe)
1000	Document name	C an..35	C an..6	<b>PR</b> Code indicating PRODAT message
C106	Document/message identification	C	R	
1004	Document identifier	C an..35	R an..17	Document number
1225	Message function code	C an..3	N	not used

Remark:

Example:

BGM+6::6:PR+1235855'

Segment:

**DTM**

Seq. No.: 3 Level: 1  
 Status: M Max. Occ.: 1  
 Counter: 0030

Date/time/period

Name: Message date

UN/EDIFACT			Implementation	
	Name	St Format	St Format	Use / Remarks
DTM				
C507	Date/time/period	M	M	
2005	Date or time or period function code qualifier	M an..3	M an..3	<b>137 Document/message date/time</b>
2380	Date or time or period text	C an..35	R n..12	Date (and time) on which a document or business signal was issued.
2379	Date or time or period format code	C an..3	R an..3	<b>102 CCYYMMDD</b> <b>203 CCYYMMDDHHMM</b>

Remark:

Example:

DTM+137:20041231:102'



**Group:** **SG4** Status: R Max. Occ.: 1 Buyer

**Segment:** **NAD** Seq. No.: 4 Level: 1 **Name and address**  
 Status: M Max. Occ.: 1  
 Counter: 0190

**Name:** **Buyer**

UN/EDIFACT			Implementation	
	Name	St Format	St Format	Use / Remarks
NAD				
3035	Party function code qualifier	M an..3	M an..3	<b>BY Buyer</b>
C082	Party identification details	C	R	
3039	Party identifier	M an..35	M an..35	Buyer ID
1131	Code list identification code	C an..17	N	not used
3055	Code list responsible agency code	C an..3	R an..3	<b>92 Assigned by buyer or buyer's agent</b>

**Remark:**

Volvo's identification of the buying company. (Party to whom merchandise and/or service is sold.)

**Example:**

NAD+BY+1002::92'

**Group:** **SG4** Status: R Max. Occ.: 1 Seller

**Segment:** **NAD** Seq. No.: 5 Level: 1 **Name and address**  
 Status: M Max. Occ.: 1  
 Counter: 0190

**Name:** **Seller**

UN/EDIFACT			Implementation	
	Name	St Format	St Format	Use / Remarks
NAD				
3035	Party function code qualifier	M an..3	M an..3	<b>SE</b> <b>Seller</b>
C082	Party identification details	C	R	
3039	Party identifier	M an..35	R an..35	Seller ID
1131	Code list identification code	C an..17	N	not used
3055	Code list responsible agency code	C an..3	R an..3	<b>92</b> <b>Assigned by buyer or buyer's agent</b>

**Remark:**

Volvo's identification of the seller.

The party who has liability to fulfill the contract. It is normally used in the sense of supplier.

**Example:**

NAD+SE+123456:::92'

**Group:** **SG4** Status: O Max. Occ.: 3 Other parties involved in the transaction

**Segment:** **NAD** Seq. No.: 6 Level: 1 **Name and address**  
 Status: M Max. Occ.: 1  
 Counter: 0190

**Name:** **Name and address**

UN/EDIFACT			Implementation	
	Name	St Format	St Format	Use / Remarks
NAD				
3035	Party function code qualifier	M an..3	M an..3	<b>SF</b> <b>Ship from</b> <b>ST</b> <b>Ship to</b> <b>UD</b> <b>Ultimate customer</b>
C082	Party identification details	C	R	
3039	Party identifier	M an..35	R an..35	Partner ID
1131	Code list identification code	C an..17	N	not used
3055	Code list responsible agency code	C an..3	R an..3	<b>92</b> <b>Assigned by buyer or buyer's agent</b>

**Remark:**

Ship From: The party, which consigns or sends goods.

Ship To: The party to which goods are to be shipped (consigned).

Ultimate Customer: The final recipient of the goods. Used to state the final customer if different from the Buyer or Ship-To.

**Example:**

NAD+SF+22222:::92'

**Group:** **SG9** Status: R Max. Occ.: 999 Item Level

**Segment:** **LIN** Seq. No.: 7 Level: 1 **Line item**  
 Status: M Max. Occ.: 1  
 Counter: 0380

**Name:** Line item

UN/EDIFACT			Implementation	
	Name	St Format	St Format	Use / Remarks
LIN 1082	Line item identifier	C an..6	R an..6	Sequential number generated by the sender to identify a line item within a message. It is recommended to start with value 1 and to increment by 1 for each new line.
1229	Action request/notification description code	C an..3	N	not used
C212	Item number identification	C	R	
7140	Item identifier	C an..35	R an..35	Volvo's article/item number Can be the module number (ECP = external component part) or the part number of the item that is a component of the module.
7143	Item type identification code	C an..3	R an..3	<b>IN Buyer's item number</b>

**Remark:**

The supplier is responsible for converting Volvo's article number into the supplier's own internal number.

**Example:**

LIN+1++1234567890:IN'

**Group:** **SG9** Status: R Max. Occ.: 999 Item Level

**Segment:** **PIA** Seq. No.: 8 Level: 2 **Additional product id**  
 Status: O Max. Occ.: 10  
 Counter: 0390

**Name:** **Engineering change ID**

UN/EDIFACT			Implementation	
	Name	St Format	St Format	Use / Remarks
PIA				
4347	Product identifier code qualifier	M an..3	M an..3	1 <b>Additional identification</b>
C212	Item number identification	M	M	
7140	Item identifier	C an..35	R an..35	Engineering change ID
7143	Item type identification code	C an..3	R an..3	<b>EC</b> <b>Engineering change level</b>

**Remark:**

**Example:**

PIA+1+P01:EC'

**Group:** **SG9** Status: R Max. Occ.: 999 Item Level

**Segment:** **DTM** Seq. No.: 9 Level: 2 **Date/time/period**  
 Status: O Max. Occ.: 2  
 Counter: 0400

**Name:** **Validity start and expiry date of the information**

UN/EDIFACT			Implementation	
	Name	St Format	St Format	Use / Remarks
DTM				
C507	Date/time/period	M	M	
2005	Date or time or period function code qualifier	M an..3	M an..3	<b>157</b> <b>Validity start date</b> <b>36</b> <b>Expiry date</b>
2380	Date or time or period text	C an..35	R n8	Date value
2379	Date or time or period format code	C an..3	R an..3	<b>102</b> <b>CCYYMMDD</b>

**Remark:**

**Example:**

DTM+157:20140315:102'

<b>Group:</b>	<b>SG9</b>	Status: R	Max. Occ.: 999	Item Level
<b>Group:</b>	<b>SG10</b>	Status: O	Max. Occ.: 1	Item description
<b>Segment:</b>	<b>IMD</b>	Seq. No.: 10 Status: M Counter: 0470	Level: 2 Max. Occ.: 1	<b>Item description</b>

**Name:** Description of article

UN/EDIFACT			Implementation	
	Name	St Format	St Format	Use / Remarks
IMD				
7077	Description format code	C an..3	C an..3	<b>F Free-form</b>
C272	Item characteristic	C	N	not used
7081	Item characteristic code	C an..3	N	not used
C273	Item description	C	R	
7009	Item description code	C an..17	N	not used
1131	Code list identification code	C an..17	N	not used
3055	Code list responsible agency code	C an..3	N	not used
7008	Item description	C an..256	R an..70	Item description Plain language description of articles or products. Text/Description in English only.
7008	Item description	C an..256	N	not used
3453	Language name code	C an..3	N	not used

**Remark:**

This segment should be used for products or services that cannot be fully identified by a product code or article number.

**Example:**

IMD+F+++:::DESCRIPTION OF ARTICLE'

**Group:** **SG9** Status: R Max. Occ.: 999 Item Level

**Group:** **SG13** Status: R Max. Occ.: 1 Standard Quantity

**Segment:** **QTY** Seq. No.: 11 Level: 2 **Quantity**  
 Status: M Max. Occ.: 1  
 Counter: 0560

**Name:** **Standard Quantity**

UN/EDIFACT			Implementation	
	Name	St Format	St Format	Use / Remarks
QTY				
C186	Quantity details	M	M	
6063	Quantity type code qualifier	M an..3	M an..3	<b>1 Discrete quantity</b>
6060	Quantity	M an..35	M n..10	Quantity in unit of measure. (Should always be one piece for the module level.)
6411	Measurement unit code	C an..8	R an..3	Code specifying the unit of measurement. Should match the Measurement unit code given in the Order. Recommend use UN/ECE Recommendation 20, Common code and code list ODDC025.

**Remark:**

Quantity of the module(s) - typically one.

**Example:**

QTY+1:1:PCE'



**Group:** **SG9** Status: R Max. Occ.: 999 Item Level

**Group:** **SG15** Status: O Max. Occ.: 1 Vehicle / assembly related information

**Segment:** **CCI** Seq. No.: 12 Level: 2 **Characteristic/class id**  
 Status: M Max. Occ.: 1  
 Counter: 0640

**Name:** Trigger segment

UN/EDIFACT			Implementation	
	Name	St Format	St Format	Use / Remarks
CCI				
7059	Class type code	C an..3	C an..3	11 <b>Product</b>

**Remark:**

**Example:**

CCI+11'

**Group:** **SG9** Status: R Max. Occ.: 999 Item Level

**Group:** **SG15** Status: O Max. Occ.: 1 Vehicle / assembly related information

**Segment:** **CAV** Seq. No.: 13 Level: 3 **Characteristic value**  
 Status: R Max. Occ.: 10  
 Counter: 0650

**Name:** **Characteristic value**

UN/EDIFACT			Implementation		
	Name	St Format	St Format	Use / Remarks	
CAV					
C889	Characteristic value	M	M		
7111	Characteristic value description code	C an..3	R an..3	AN AP VAA VAB VAC VAD VAE VAF VAG	Manufacturing reference number Product Component Type Sub Component Type Basic Structure Line Core Instruction Number Core Instruction Name Shikuy part Direction Title
1131	Code list identification code	C an..17	N		not used
3055	Code list responsible agency code	C an..3	R an..3	6 92 272	UN/ECE (United Nations - Economic Commission for Europe) Assigned by buyer or buyer's agent Joint Automotive Industry agency
7110	Characteristic value description	C an..35	C an..35		Value

**Remark:**

Description of codes:

AN - Reference number to complete product/module.

AP - Additional details (not structured) regarding the complete product/module. e.g color, roling direction or assembly instructions.

VAA - Component Type (Will enable traceability in Volvo's system.)

VAB - Sub Component Type

VAC - Basic Structure Line

VAD - Core Instruction Number (Core Assembly number)

VAE - Core Instruction Name (Core Assembly name)

VAF - Shikuy part

VAG - Direction Title (Assembly information)

**Example:**

CAV+AN:::6:123-ABC/0815'

**Group:** **SG9** Status: R Max. Occ.: 999 Item Level

**Group:** **SG17** Status: D Max. Occ.: 1 Order number

**Segment:** **RFF** Seq. No.: 14 Level: 2 **Reference**  
 Status: M Max. Occ.: 1  
 Counter: 0710

**Name:** Reference

UN/EDIFACT			Implementation	
	Name	St Format	St Format	Use / Remarks
RFF				
C506	Reference	M	M	
1153	Reference code qualifier	M an..3	M an..3	<b>ON Buyers order number</b>
1154	Reference identifier	C an..70	R an..35	Volvo's Purchase Order Number

**Remark:**

Volvo's Purchase Ordernumber connected to the module or ingoing part.

**Example:**

RFF+ON:123456789 '

**Group:** **SG9** Status: R Max. Occ.: 999 Item Level

**Group:** **SG23** Status: R Max. Occ.: 99 Hierarchy information

**Segment:** **HYN** Seq. No.: 15 Level: 2 **Hierarchy information**  
 Status: R Max. Occ.: 1  
 Counter: 0960

**Name:** Hierarchy information

UN/EDIFACT			Implementation	
	Name	St Format	St Format	Use / Remarks
HYN				
7173	Hierarchy object code qualifier	M an..3	R n1	<b>2 Product</b>
7171	Hierarchical structure relationship code	C an..3	R n1	<b>1 Parent</b> <b>2 Child</b> If the line item describes a module; use 1. If the line item describes a component part; use 2.
1229	Action request/notification description code	C an..3	R n1	If a component has to be changed - delete the old component number and add the new. <b>1 Added</b> <b>2 Deleted</b> <b>4 No action</b>
C212	Item number identification	C	D	
7140	Item identifier	C an..35	D an..35	Buyer's Article number of the component. Only used for component (child).
7143	Item type identification code	C an..3	D an..3	Only used for component (child). <b>IN Buyer's item number</b>
7166	Hierarchical structure parent identifier	C an..35	D an..35	ID of the parent module. Only used for component (child) relationships.

**Remark:**

**Example:**

HYN+2+1+1 '  
 HYN+2+2+1+2525252525:IN+MODULE01 '

**Group:** **SG9** Status: R Max. Occ.: 999 Item Level

**Group:** **SG23** Status: R Max. Occ.: 99 Hierarchy information

**Segment:** **QTY** Seq. No.: 16 Level: 3 **Quantity**  
 Status: D Max. Occ.: 1  
 Counter: 0980

**Name:** In module quantity

UN/EDIFACT			Implementation	
	Name	St Format	St Format	Use / Remarks
QTY				
C186	Quantity details	M	M	
6063	Quantity type code qualifier	M an..3	M an..3	<b>1 Discrete quantity</b>
6060	Quantity	M an..35	M an..10	Quantity within the module.
6411	Measurement unit code	C an..8	R an..3	Code specifying the unit of measurement. Should match the Measurement unit code given in the Order. Recommend use UN/ECE Recommendation 20, Common code and code list ODDC025.

**Remark:**

Required for parts/components (i.e. when HYN.7171 = 2).

**Example:**

QTY+1 : 2 : PCE '

**Segment:****UNT**Seq. No.: 17 Level: 0  
Status: M Max. Occ.: 1  
Counter: 1220**Message trailer****Name: Message trailer**

UN/EDIFACT		Implementation		
	Name	St Format	St Format	Use / Remarks
UNT				
0074	Number of segments in the message	M n..6	M n..6	Number of segments in the message.
0062	Message reference number	M an..14	M an..14	Message reference number.

**Remark:****Example:**

UNT+22+1'