



Message Specification

## **ATLAS Transport booking**

Based on:

**IFTMBF**

Firm booking message

**UN D.98B S3**

Version: 1.2  
Variant: PROD  
Issue date: 2015-12-10  
Author: Volvo Information Technology AB

---

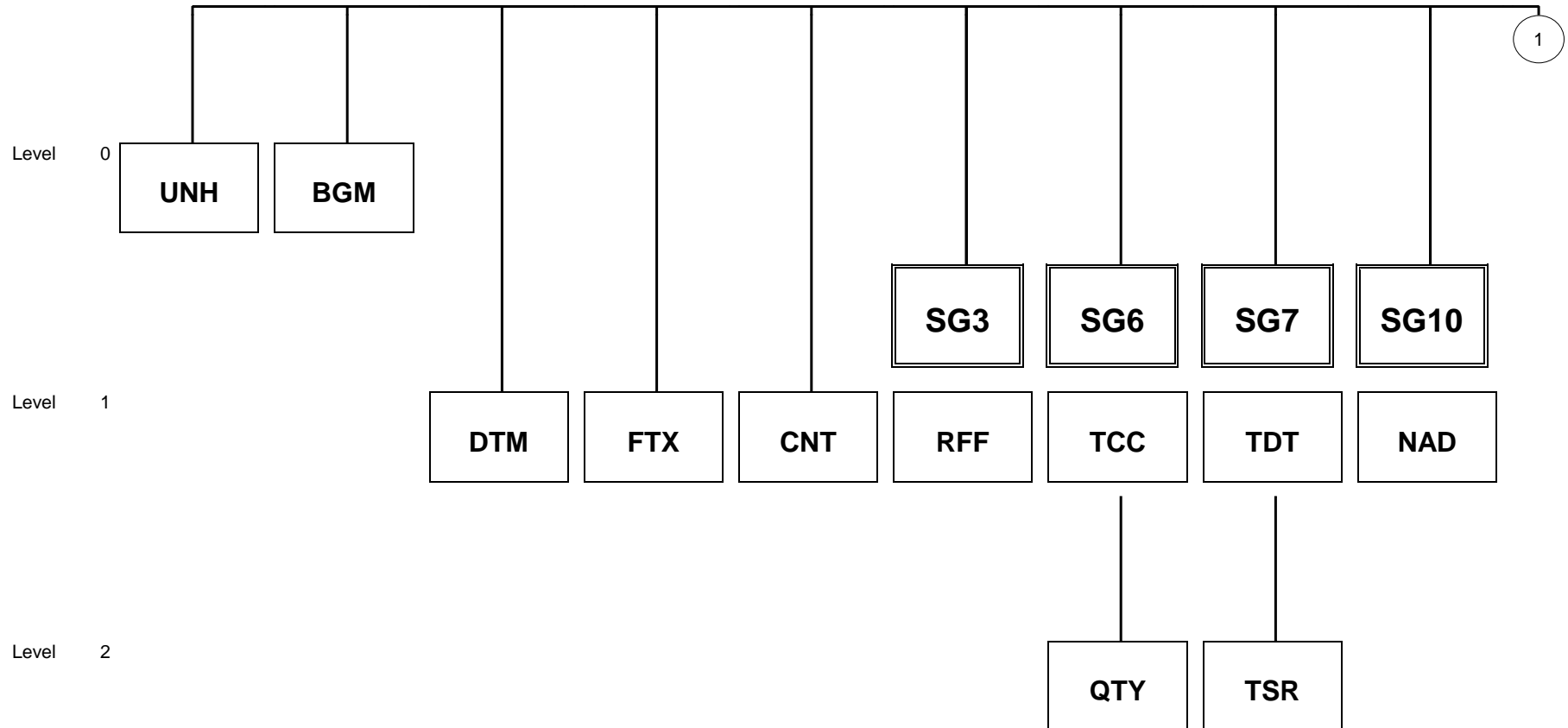
**Message Structure**

Counter	No	Tag	St	MaxOcc	Level	Content
0010	1	UNH	M	1	0	Message header
0020	2	BGM	M	1	0	Beginning of message
0050	3	DTM	M	2	1	Date/time/period
0080	4	FTX	C	99	1	Free text
0090	5	CNT	M	9	1	Control total
0160		<b>SG3</b>	D	99	1	RFF
0170	6	RFF	M	1	1	Reference
0250		<b>SG6</b>	C	99	1	TCC-QTY
0260	7	TCC	M	1	1	Transport charge/rate calculations
0340	8	QTY	D	9	2	Quantity
0350		<b>SG7</b>	M	99	1	TDT-TSR
0360	9	TDT	M	1	1	Details of transport
0380	10	TSR	R	9	2	Transport service requirements
0450		<b>SG10</b>	M	99	1	NAD
0460	11	NAD	M	1	1	Name and address
0690		<b>SG16</b>	D	999	1	GID-HAN-FTX-SG17-SG18-SG20-SG25-SG27
0700	12	GID	M	1	1	Goods item details
0710	13	HAN	R	1	2	Handling instructions
0780	14	FTX	D	9	2	Free text
0800		<b>SG17</b>	R	9	2	NAD-DTM
0810	15	NAD	M	1	2	Name and address
0820	16	DTM	D	2	3	Date/time/period
0840		<b>SG18</b>	M	99	2	MEA
0850	17	MEA	M	1	2	Measurements
0900		<b>SG20</b>	M	9	2	RFF
0910	18	RFF	M	1	2	Reference
1060		<b>SG25</b>	D	999	2	SGP-SG26
1070	19	SGP	M	1	2	Split goods placement
1080		<b>SG26</b>	R	9	3	MEA
1090	20	MEA	M	1	3	Measurements
1110		<b>SG27</b>	D	9	2	DGS-FTX
1120	21	DGS	M	1	2	Dangerous goods
1130	22	FTX	R	99	3	Free text
1420	23	UNT	M	1	0	Message trailer

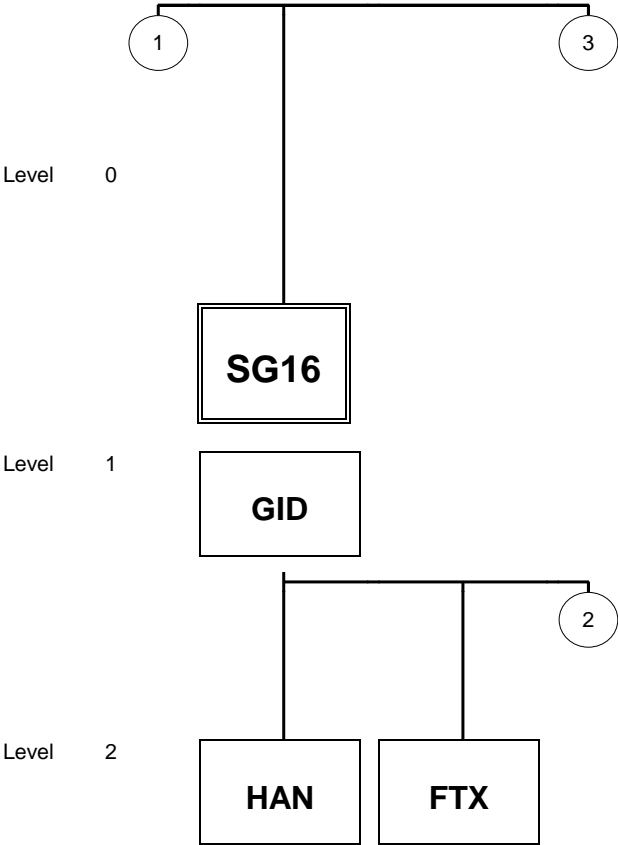
Counter = Counter of segment/group within the standard  
 No = Consecutive segment number  
 MaxOcc = Maximum occurrence of the segment/group

St = Status  
 EDIFACT: M=Mandatory, C=Conditional  
 User specific: R=Required, O=Optional, D=Dependent,  
 A=Advised, N=Not used

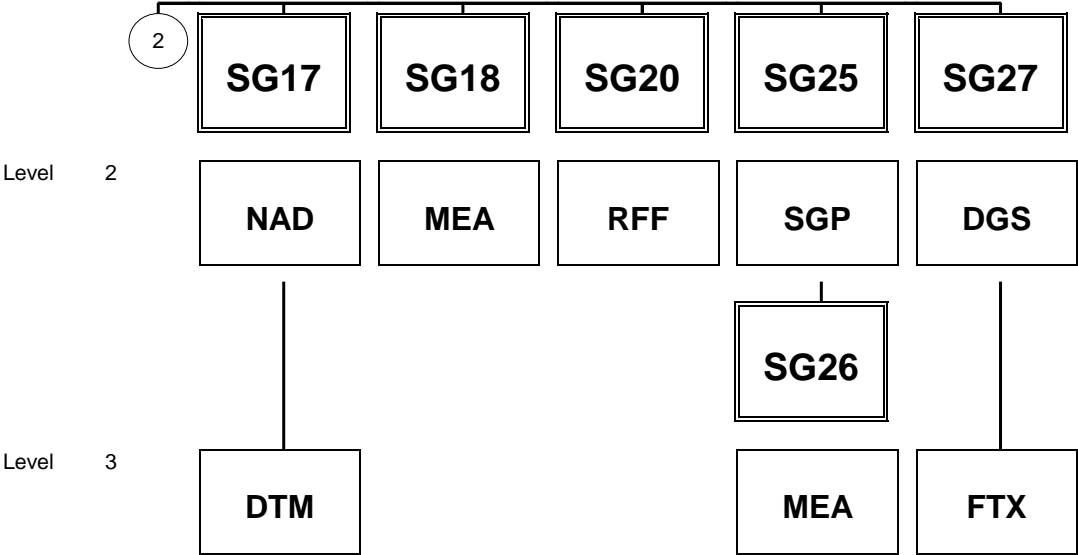
**Branching Diagram of Used Segments/Groups**



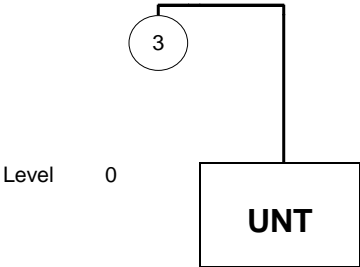
ATLAS Transport booking



ATLAS Transport booking



ATLAS Transport booking



**Segment:** UNH
 Seq. No.: 1 Level: 0 **Message header**  
 Status: M Max. Occ.: 1  
 Counter: 0010

**Name:** Message header

UN/EDIFACT			Implementation	
	Name	St Format	St Format	Use / Remarks
UNH				
0062	Message reference number	M an..14	M an..14	
S009	Message identifier	M	M	
0065	Message type identifier	M an..6	M an..6	<b>IFTMBF Firm booking message</b>
0052	Message version number	M an..3	M an..3	<b>D Draft version/UN/EDIFACT Directory</b>
0054	Message release number	M an..3	M an..3	<b>98B Release 1998 - B</b>
0051	Controlling agency	M an..2	M an..2	<b>UN UN/ECE/TRADE/WP.4</b>
0057	Association assigned code	C an..6	R an..6	<b>VT0076 ATLAS R4</b>

**Remark:**

A service segment starting and uniquely identifying a message. The message type code for the Firm booking message is IFTMBF.

**Example:**

UNH+01234+IFTMBF:D:98B:UN:VT0076

# ATLAS Transport booking



Segment:

**BGM**

Seq. No.: 2 Level: 0  
 Status: M Max. Occ.: 1  
 Counter: 0020

Beginning of message

Name: Beginning of message

UN/EDIFACT			Implementation	
	Name	St Format	St Format	Use / Remarks
BGM				
C002	Document/message name	C	M	
1001	Document/message name, coded	C an..3	R an..3	<b>335</b> <b>98</b> <b>Booking request</b> <b>Arrival information</b>
C106	Document/message identification	C	R	
1004	Document/message number	C an..35	R an..35	Will contain the Transport Booking (TB) ID (ATLAS main reference). Shall be used for EDI exchange with ATLAS When 1225 is 1,5 or 47, the same document/message number as original message must be used.
1225	Message function, coded	C an..3	R an..3	<b>1</b> <b>5</b> <b>9</b> <b>47</b> <b>Cancellation</b> <b>Replace</b> <b>Original</b> <b>Definitive</b>
4343	Response type, coded	C an..3	C an..3	<b>AQ</b> <b>Response expected</b>

Remark:

Example:

BGM+335+B10024882700+9+AQ'



# ATLAS Transport booking



Segment:

**DTM**

Seq. No.: 3 Level: 1  
 Status: M Max. Occ.: 2  
 Counter: 0050

Date/time/period

Name: Date/time/period

UN/EDIFACT			Implementation		
	Name	St Format	St Format	Use / Remarks	
DTM					
C507	Date/time/period	M	M		
2005	Date/time/period qualifier	M an..3	M an..3	<b>182</b>	<b>Issue date</b>
				<b>CDL</b>	<b>Confirmation dead line</b>
2380	Date/time/period	C an..35	R an..35		
2379	Date/time/period format qualifier	C an..3	R an..3	<b>304</b>	<b>CCYYMMDDHHMMSSZZZ</b>

Remark:

Example:

DTM+182:20110613093114?+01:304'

**Segment:** FTX
 Seq. No.: 4 Level: 1 **Free text**  
 Status: C Max. Occ.: 99  
 Counter: 0080

**Name:** Free text

UN/EDIFACT			Implementation	
	Name	St Format	St Format	Use / Remarks
FTX				
4451	Text subject qualifier	M an..3	M an..3	<b>OSI Other service information</b>
4453	Text function, coded	C an..3	N	not used
C107	Text reference	C	N	not used
4441	Free text identification	M an..17	N	not used
C108	Text literal	C	R	
4440	Free text	M an..70	R an..70	
4440	Free text	C an..70	D an..70	

**Remark:**

Used to give more information connected to the assignment for example customs clearance.

**Example:**

FTX+OSI+++Note?! Customs clearance at?: Volvo Group Truck Logistics services'

# ATLAS Transport booking



Segment:

**CNT**

Seq. No.: 5 Level: 1  
 Status: M Max. Occ.: 9  
 Counter: 0090

Control total

Name: Control total

UN/EDIFACT			Implementation		
	Name	St Format	St Format	Use / Remarks	
CNT					
C270	Control	M	M		
6069	Control qualifier	M an..3	M an..3	11 26 32	Total number of packages Total gross measurement/cube Total gross weight of the goods within the means of transport
6066	Control value	M n..18	M n..18		
6411	Measure unit qualifier	C an..3	R an..3	C62 FTQ KGM LBR MTQ	one Cubic foot kilogram pound cubic metre

**Remark:**

A summary of all TBR/SRN/SSU within this specific Transport Booking (TB)

**Example:**

CNT+11:9:C62'

# ATLAS Transport booking



**Group:** **SG3** Status: D Max. Occ.: 99 RFF

**Segment:** **RFF** Seq. No.: 6 Level: 1 **Reference**  
 Status: M Max. Occ.: 1  
 Counter: 0170

**Name:** Reference

UN/EDIFACT			Implementation	
	Name	St Format	St Format	Use / Remarks
RFF				
C506	Reference	M	M	
1153	Reference qualifier	M an..3	M an..3	<b>CN</b> Carrier's reference number
1154	Reference number	C an..35	R an..35	

**Remark:**

Used if reference has previously been given by carrier in a status message.

**Example:**

RFF+CN: 0123456789 '

# ATLAS Transport booking



**Group:** **SG6** Status: C Max. Occ.: 99 TCC-QTY

**Segment:** **TCC** Seq. No.: 7 Level: 1 **Transport charge/rate calculations**  
 Status: M Max. Occ.: 1  
 Counter: 0260

**Name:** **Transport charge/rate calculations**

UN/EDIFACT		Implementation		
	Name	St Format	St Format	Use / Remarks
TCC				
C200	Charge	C	N	not used
8023	Freight and charges identification	C an..17	N	not used
C203	Rate/tariff class	C	N	not used
5243	Rate/tariff class identification	M an..9	N	not used
C528	Commodity/rate detail	C	R	
7357	Commodity/rate identification	C an..18	R an..18	Volta reference number
1131	Code list qualifier	C an..3	R an..3	<b>58 Business account number</b>
3055	Code list responsible agency, coded	C an..3	R an..3	<b>92 Assigned by buyer or buyer's agent</b>

**Remark:**

Information regarding under which agreement the transport assignment takes place.

**Example:**

TCC+++201412345A:58:92'

# ATLAS Transport booking



**Group:** **SG6** Status: C Max. Occ.: 99 TCC-QTY

**Segment:** **QTY** Seq. No.: 8 Level: 2 **Quantity**  
 Status: D Max. Occ.: 9  
 Counter: 0340

**Name:** Quantity

UN/EDIFACT			Implementation	
	Name	St Format	St Format	Use / Remarks
QTY				
C186	Quantity details	M	M	
6063	Quantity qualifier	M an..3	M an..3	<b>49 Chargeable distance</b>
6060	Quantity	M n..15	M n..15	Calculated distance for the dynamic planned transport booking.
6411	Measure unit qualifier	C an..3	R an..3	<b>KTM kilometre</b>

**Remark:**

Used only for dynamic planned transport booking and should be used as basis for invoicing

**Example:**

QTY+49:165:KTM

# ATLAS Transport booking



**Group:** **SG7** Status: M Max. Occ.: 99 TDT-TSR

**Segment:** **TDT** Seq. No.: 9 Level: 1 **Details of transport**  
 Status: M Max. Occ.: 1  
 Counter: 0360

**Name:** **Details of transport**

UN/EDIFACT			Implementation	
	Name	St Format	St Format	Use / Remarks
TDT				
8051	Transport stage qualifier	M an..3	M an..3	<b>10</b> Pre-carriage transport <b>20</b> Main-carriage transport <b>25</b> Delivery carrier all transport <b>30</b> On-carriage transport <b>MK1</b> Milk Run 1st <b>MK2</b> Milk Run 2nd
8028	Conveyance reference number	C an..17	N	not used
C220	Mode of transport	C	R	
8067	Mode of transport, coded	C an..3	R an..3	<b>30</b> Road transport
C228	Transport means	C	N	not used
8179	Type of means of transport identification	C an..8	N	not used
C040	Carrier	C	R	
3127	Carrier identification	C an..17	R an..17	Volvo PARMA id for carrier.
1131	Code list qualifier	C an..3	N	not used
3055	Code list responsible agency, coded	C an..3	R an..3	<b>92</b> Assigned by buyer or buyer's agent
3128	Carrier name	C an..35	R an..35	Name of carrier
8101	Transit direction, coded	C an..3	N	not used
C401	Excess transportation information	C	N	not used
8457	Excess transportation reason, coded	M an..3	N	not used
C222	Transport identification	C	D	
8213	Id. of means of transport identification	C an..9	N	not used
1131	Code list qualifier	C an..3	N	not used
3055	Code list responsible agency, coded	C an..3	N	not used
8212	Id. of the means of transport	C an..35	D an..35	Used if license plate of truck has previously been given in a status or load confirmation message.

**Remark:**

**Example:**

TDT+10++30++123456::92:CARRIER NAME++++::CAR1234'

# ATLAS Transport booking



**Group:** **SG7** Status: M Max. Occ.: 99 TDT-TSR

**Segment:** **TSR** Seq. No.: 10 Level: 2 **Transport service requirements**  
 Status: R Max. Occ.: 9  
 Counter: 0380

**Name:** **Transport service requirements**

UN/EDIFACT			Implementation	
	Name	St Format	St Format	Use / Remarks
TSR				
C536	Contract and carriage condition	C	N	not used
4065	Contract and carriage condition, coded	M an..3	N	not used
C233	Service	C	R	
7273	Service requirement, coded	M an..3	M an..3	<b>FDM</b> <b>Dynamic Milkrun</b> <b>FTL</b> <b>Full Truck Load</b> <b>LTL</b> <b>Less then Truck Load</b>
1131	Code list qualifier	C an..3	N	not used
3055	Code list responsible agency, coded	C an..3	R an..3	<b>92</b> <b>Assigned by buyer or buyer's agent</b>
C537	Transport priority	C	D	If not used, normal speed is assumed.
4219	Transport priority, coded	M an..3	M an..3	<b>3</b> <b>Normal speed</b>

**Remark:**

**Example:**

TSR++LTL::92+3'



**Group:** **SG10** Status: M Max. Occ.: 99 NAD

**Segment:** **NAD** Seq. No.: 11 Level: 1 **Name and address**  
 Status: M Max. Occ.: 1  
 Counter: 0460

**Name:** Name and address

UN/EDIFACT			Implementation	
	Name	St Format	St Format	Use / Remarks
NAD				
3035	Party qualifier	M an..3	M an..3	<b>CA</b> Carrier <b>FW</b> Freight forwarder <b>OP</b> Operator of property or unit
C082	Party identification details	C	D	Used when 3039 Party identification is known.
3039	Party identification	M an..35	M an..35	PARMA id provided by Volvo.
1131	Code list qualifier	C an..3	N	not used
3055	Code list responsible agency, coded	C an..3	R an..3	<b>92</b> Assigned by buyer or buyer's agent
C058	Name and address	C	N	not used
3124	Name and address line	M an..35	N	not used
C080	Party name	C	D	
3036	Party name	M an..35	M an..35	Name of the party

**Remark:**

**Example:**

NAD+FW+4734::92++VOLVO LOGISTICS EUROPE'

# ATLAS Transport booking



**Group:** **SG16** Status: D Max. Occ.: 999 GID-HAN-FTX-SG17-SG18-SG20-SG25-SG27

Not used when booking space on sea/ferry or when booking equipment.

**Segment:** **GID** Seq. No.: 12 Level: 1 **Goods item details**  
 Status: M Max. Occ.: 1  
 Counter: 0700

**Name:** **Goods item details**

UN/EDIFACT			Implementation	
	Name	St Format	St Format	Use / Remarks
GID				
1496	Goods item number	C n..5	R n..5	Goods item number. Ex: 1; 2; .....
C213	Number and type of packages	C	R	
7224	Number of packages	C n..8	R n..8	
7065	Type of packages identification	C an..17	N	not used
1131	Code list qualifier	C an..3	D an..3	<b>109</b> <b>Customs indicator</b>

**Remark:**

A new GID loop will be used for each TBR(SRN/SSU) on the TB (Transport booking)

**Example:**

GID+1+9::109'

# ATLAS Transport booking



**Group:** **SG16** Status: D Max. Occ.: 999 GID-HAN-FTX-SG17-SG18-SG20-SG25-SG27

Not used when booking space on sea/ferry or when booking equipment.

**Segment:** **HAN** Seq. No.: 13 Level: 2 **Handling instructions**  
 Status: R Max. Occ.: 1  
 Counter: 0710

**Name:** Handling instructions

UN/EDIFACT			Implementation	
	Name	St Format	St Format	Use / Remarks
HAN				
C524	Handling instructions	C	R	
4079	Handling instructions, coded	C an..3	R an..3	<b>SLS</b> <b>Service level shipment</b>
1131	Code list qualifier	C an..3	R an..3	<b>63</b> <b>Handling action</b>
3055	Code list responsible agency, coded	C an..3	R an..3	<b>92</b> <b>Assigned by buyer or buyer's agent</b>
4078	Handling instructions	C an..70	D an..70	Used to give instruction to carrier on Pick up and Drop off sequences (in which order the shipments shall be picked up or dropped off). E.g. "1,2" for Pick up and a Drop off and "1,3" for Pick up and a second Drop off.

**Remark:**

**Example:**

HAN+SLS:63:92:1,2'

# ATLAS Transport booking



**Group:** **SG16** Status: D Max. Occ.: 999 GID-HAN-FTX-SG17-SG18-SG20-SG25-SG27

Not used when booking space on sea/ferry or when booking equipment.

**Segment:** **FTX** Seq. No.: 14 Level: 2 **Free text**  
 Status: D Max. Occ.: 9  
 Counter: 0780

**Name:** Free text

UN/EDIFACT			Implementation		
	Name	St Format	St Format	Use / Remarks	
FTX					
4451	Text subject qualifier	M an..3	M an..3	<b>ACB</b> <b>COI</b>	<b>Additional information</b> <b>Order information</b>
4453	Text function, coded	C an..3	N	not used	
C107	Text reference	C	N	not used	
4441	Free text identification	M an..17	N	not used	
C108	Text literal	C	R		
4440	Free text	M an..70	M an..70		
4440	Free text	C an..70	D an..70	Used if more info is needed.	
4440	Free text	C an..70	D an..70		
4440	Free text	C an..70	D an..70		
4440	Free text	C an..70	D an..70		

**Remark:**

Shipper additional information to carrier.

**Example:**

FTX+ACB+++GOODS READY FOR PICK-UP AT 9?:00'

**Group:** **SG16** Status: D Max. Occ.: 999 GID-HAN-FTX-SG17-SG18-SG20-SG25-SG27

**Group:** **SG17** Status: R Max. Occ.: 9 NAD-DTM

**Segment:** **NAD** Seq. No.: 15 Level: 2 **Name and address**  
 Status: M Max. Occ.: 1  
 Counter: 0810

**Name:** **Name and address**

UN/EDIFACT			Implementation	
	Name	St Format	St Format	Use / Remarks
NAD 3035	Party qualifier	M an..3	M an..3	Must occur with at least CN and CZ. <b>CN Consignee</b> <b>CZ Consignor</b> <b>OS Original shipper</b> <b>UC Ultimate consignee</b>
C082	Party identification details	C	R	
3039	Party identification	M an..35	M an..35	Partner id provided by Volvo.
1131	Code list qualifier	C an..3	N	not used
3055	Code list responsible agency, coded	C an..3	R an..3	<b>92 Assigned by buyer or buyer's agent</b>
C058	Name and address	C	D	Used to add extra information about location or contacts.
3124	Name and address line	M an..35	D an..35	Used to specify suffix or gate at party when available.
3124	Name and address line	C an..35	D an..35	Used if more information about party needs to be visible.
3124	Name and address line	C an..35	D an..35	Used if more information about party needs to be visible.
3124	Name and address line	C an..35	D an..35	Used if more information about party needs to be visible.
3124	Name and address line	C an..35	D an..35	Used if more information about party needs to be visible.
C080	Party name	C	R	
3036	Party name	M an..35	M an..35	
C059	Street	C	D	Used when element 3035 = CN or CZ.
3042	Street and number/p.o. box	M an..35	M an..35	
3042	Street and number/p.o. box	C an..35	D an..35	Used for second address information.
3164	City name	C an..35	D an..35	Used when CN and CZ.
3229	Country sub-entity identification	C an..9	D an..9	Provincial code, mainly used in US.
3251	Postcode identification	C an..9	D an..9	Used when CN and CZ.
3207	Country, coded	C an..3	D an..3	Use ISO 3166 two alpha country code. Used when CN and CZ.

**Remark:**

**Example:**

NAD+CN+14625:::92+284::::+ENGINE CENTER+SKALDERSTAAT 37+DESTELSONK+BE+9042+BE'

# ATLAS Transport booking



**Group:** **SG16** Status: D Max. Occ.: 999 GID-HAN-FTX-SG17-SG18-SG20-SG25-SG27

**Group:** **SG17** Status: R Max. Occ.: 9 NAD-DTM

**Segment:** **DTM** Seq. No.: 16 Level: 3 **Date/time/period**  
 Status: D Max. Occ.: 2  
 Counter: 0820

**Name:** **Date/time/period**

UN/EDIFACT			Implementation	
	Name	St Format	St Format	Use / Remarks
DTM				
C507	Date/time/period	M	M	
2005	Date/time/period qualifier	M an..3	M an..3	Qualifier 10 will be used in combination of NAD+CZ and qualifier 2 for NAD+CN. For more details please advise the SOP or ATLAS operation. <b>2 Delivery date/time, requested</b> <b>10 Shipment date/time, requested</b>
2380	Date/time/period	C an..35	R an..35	
2379	Date/time/period format qualifier	C an..3	R an..3	<b>102 CCYYMMDD</b>

**Remark:**

Required for NAD qualifier CN and CZ.

**Example:**

DTM+10:20110613:102

# ATLAS Transport booking



**Group:** **SG16** Status: D Max. Occ.: 999 GID-HAN-FTX-SG17-SG18-SG20-SG25-SG27

**Group:** **SG18** Status: M Max. Occ.: 99 MEA

**Segment:** **MEA** Seq. No.: 17 Level: 2 **Measurements**  
 Status: M Max. Occ.: 1  
 Counter: 0850

**Name:** **Measurements**

UN/EDIFACT			Implementation		
	Name	St Format	St Format	Use / Remarks	
MEA 6311	Measurement purpose qualifier	M an..3	M an..3	<b>AAE</b> <b>LMT</b> <b>TE</b> <b>VOL</b> <b>WT</b>	<b>Measurement</b> <b>Loading meters</b> <b>Temperature</b> <b>Volume</b> <b>Weights</b>
C502	Measurement details	C	R		
6313	Property measured, coded	C an..3	C an..3	<b>AAD</b> <b>AAW</b> <b>ACV</b> <b>AEB</b> <b>TC</b>	<b>Total gross weight</b> <b>Gross volume</b> <b>Loading meters</b> <b>Stacking height</b> <b>Temperature</b>
6321	Measurement significance, coded	C an..3	N		not used
6155	Measurement attribute identification	C an..17	D an..17	<b>16</b> <b>45</b>	<b>Nil</b> <b>Temperature controlled</b> Code 16 is used when goods is not stackable.
C174	Value/range	C	D		Reflects gross measures on all goods within the GID.
6411	Measure unit qualifier	M an..3	M an..3	<b>FOT</b> <b>FTQ</b> <b>KGM</b> <b>LBR</b> <b>MTQ</b>	<b>foot</b> <b>cubic foot</b> <b>kilogram</b> <b>pound</b> <b>cubic metre</b>
6314	Measurement value	C an..18	D an..18		

**Remark:**

**Example:**

MEA+AAE+AEB : : 16 '

MEA+AAE+AEB+KGM : 75 '

# ATLAS Transport booking



**Group:** **SG16** Status: D Max. Occ.: 999 GID-HAN-FTX-SG17-SG18-SG20-SG25-SG27

**Group:** **SG20** Status: M Max. Occ.: 9 RFF

**Segment:** **RFF** Seq. No.: 18 Level: 2 **Reference**  
 Status: M Max. Occ.: 1  
 Counter: 0910

**Name:** Reference

UN/EDIFACT			Implementation	
	Name	St Format	St Format	Use / Remarks
RFF				
C506	Reference	M	M	
1153	Reference qualifier	M an..3	M an..3	<b>SRN Shipment reference number</b>
1154	Reference number	C an..35	R an..35	Unique id for original shipper/ultimate consignee within the transport booking (TB). Shall be used for EDI exchange on corresponding level with ATLAS.

**Remark:**

**Example:**

RFF+SRN:S04514211061701-001-001'



# ATLAS Transport booking



**Group:** **SG16** Status: D Max. Occ.: 999 GID-HAN-FTX-SG17-SG18-SG20-SG25-SG27

**Group:** **SG25** Status: D Max. Occ.: 999 SGP-SG26

**Segment:** **SGP** Seq. No.: 19 Level: 2 **Split goods placement**  
 Status: M Max. Occ.: 1  
 Counter: 1070

**Name:** Split goods placement

UN/EDIFACT			Implementation	
	Name	St Format	St Format	Use / Remarks
SGP				
C237	Equipment identification	M	M	
8260	Equipment identification number	C an..17	R an..17	THU type (Transport handling unit, logistics unit type)
1131	Code list qualifier	C an..3	R an..3	<b>67</b> <b>Type of package</b>
3055	Code list responsible agency, coded	C an..3	R an..3	<b>ZZZ</b> <b>Mutually defined</b>
7224	Number of packages	C n..8	R n..8	

**Remark:**

Segment group 25 will only occur on pick up legs before TB acceptance.

**Example:**

SGP+L4 : 67 : ZZZ+9 '

# ATLAS Transport booking



**Group:** **SG16** Status: D Max. Occ.: 999 GID-HAN-FTX-SG17-SG18-SG20-SG25-SG27

**Group:** **SG25** Status: D Max. Occ.: 999 SGP-SG26

**Group:** **SG26** Status: R Max. Occ.: 9 MEA

Segment group 25 and 26 will only occur on pick up legs before TB acceptance.

**Segment:** **MEA** Seq. No.: 20 Level: 3 **Measurements**  
 Status: M Max. Occ.: 1  
 Counter: 1090

**Name:** **Measurements**

UN/EDIFACT			Implementation		
	Name	St Format	St Format	Use / Remarks	
MEA 6311	Measurement purpose qualifier	M an..3	M an..3	<b>ABD</b> <b>ABE</b> <b>ABF</b> <b>WT</b> <b>VOL</b>	<b>Length</b> <b>Height</b> <b>Width</b> <b>Weights</b> <b>Volume</b>
C502	Measurement details	C	N	not used	
6313	Property measured, coded	C an..3	N	not used	
C174	Value/range	C	R		
6411	Measure unit qualifier	M an..3	R an..3	<b>FOT</b> <b>FTQ</b> <b>KGM</b> <b>LBR</b> <b>MTQ</b> <b>MTR</b>	<b>foot</b> <b>cubic foot</b> <b>kilogram</b> <b>pound</b> <b>cubic metre</b> <b>metre</b>
6314	Measurement value	C an..18	R an..18		

**Remark:**

**Example:**

MEA+ABD++MTR:1.24'

MEA+ABE++MTR:0.80'

MEA+VOL++MTQ:1.75'

**Group:** **SG16** Status: D Max. Occ.: 999 GID-HAN-FTX-SG17-SG18-SG20-SG25-SG27

**Group:** **SG27** Status: D Max. Occ.: 9 DGS-FTX

Used if TBR contains dangerous goods.

**Segment:** **DGS** Seq. No.: 21 Level: 2 **Dangerous goods**  
 Status: M Max. Occ.: 1  
 Counter: 1120

**Name:** **Dangerous goods**

UN/EDIFACT			Implementation	
	Name	St Format	St Format	Use / Remarks
DGS				
8273	Dangerous goods regulations, coded	C an..3	D an..3	<b>ADR</b> <b>European agreement on the international carriage of dangerous goods</b>
C205	Hazard code	C	N	not used
8351	Hazard code identification	M an..7	N	not used
C234	UNDG information	C	R	
7124	UNDG number	C n4	R n4	
C223	Dangerous goods shipment flashpoint	C	N	not used
7106	Shipment flashpoint	C n3	N	not used
8339	Packing group, coded	C an..3	D an..3	Used if packing group is available. <b>1</b> <b>Great danger</b> <b>2</b> <b>Medium danger</b> <b>3</b> <b>Minor danger</b>
8364	EMS number	C an..6	N	not used
8410	MFAG	C an..4	N	not used
8126	Trem card number	C an..10	N	not used
C235	Hazard identification placard details	C	N	not used
8158	Hazard identification number, upper part	C an..4	N	not used
C236	Dangerous goods label	C	R	
8246	Dangerous goods label marking	C an..4	R an..4	Primary class description mandatory and secondary class if available. <b>1</b> <b>Explosive</b> <b>2</b> <b>Gases</b> <b>3</b> <b>Flammable liquid</b> <b>4</b> <b>Flammable solid</b> <b>5</b> <b>Oxidizer and organic peroxide</b> <b>6</b> <b>Poison</b> <b>7</b> <b>Radioactive</b> <b>8</b> <b>Corrosive</b> <b>9</b> <b>Miscellaneous Dangerous Goods</b>

**Remark:**

Used if TBR contains dangerous goods.

**Example:**

DGS+ADR++2794++3+++++8 '

**Group:** **SG16** Status: D Max. Occ.: 999 GID-HAN-FTX-SG17-SG18-SG20-SG25-SG27

**Group:** **SG27** Status: D Max. Occ.: 9 DGS-FTX

Used if TBR contains dangerous goods.

**Segment:** **FTX** Seq. No.: 22 Level: 3 **Free text**  
 Status: R Max. Occ.: 99  
 Counter: 1130

**Name:** **Free text**

UN/EDIFACT			Implementation	
	Name	St Format	St Format	Use / Remarks
FTX				
4451	Text subject qualifier	M an..3	M an..3	<b>AAD Dangerous goods, technical name</b>
4453	Text function, coded	C an..3	N	not used
C107	Text reference	C	N	not used
4441	Free text identification	M an..17	N	not used
C108	Text literal	C	R	Required when qualifier in element 4451 is AAD.
4440	Free text	M an..70	R an..70	When qualifier AAD in element 4451 - Proper shipping name.
4440	Free text	C an..70	D an..70	If more information is needed e.g. type of package.

**Remark:**

**Example:**

FTX+AAD+++BATTERY WET, FILLED WITH ACID'

**Segment:**

**UNT**

Seq. No.: 23 Level: 0  
 Status: M Max. Occ.: 1  
 Counter: 1420

**Message trailer**

**Name: Message trailer**

UN/EDIFACT			Implementation	
	Name	St Format	St Format	Use / Remarks
UNT				
0074	Number of segments in the message	M n..6	M n..6	
0062	Message reference number	M an..14	M an..14	

**Remark:**

**Example:**

UNT+21+01234 '