



Message Specification

ATLAS Load Carrier

Based on:

204

Motor Carrier Load Tender

X12 004010

Version: 1.0
Variant: PROD
Issue date: 2014-12-12
Author: Volvo Information Technology AB

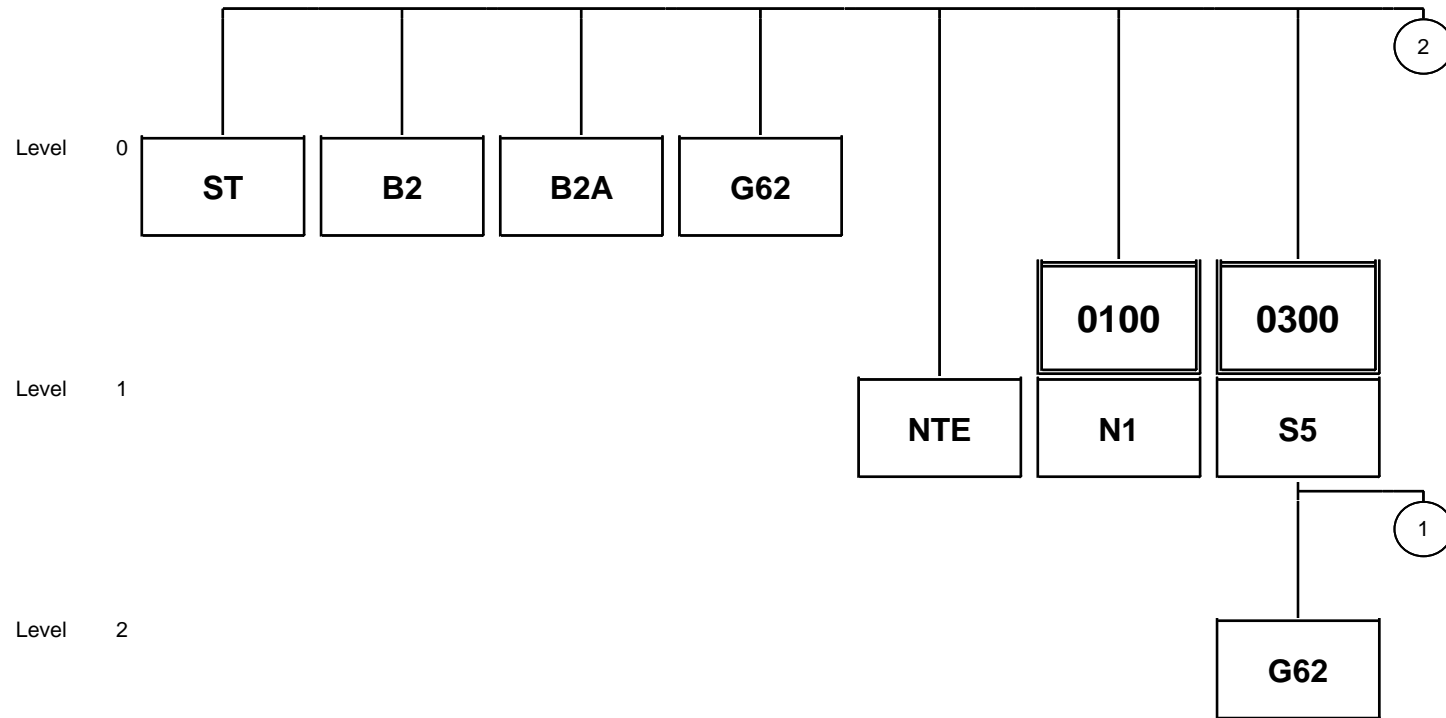
Message Structure

Counter	No	Tag	St	MaxOcc	Level	Content
0010	1	ST	M	1	0	Transaction Set Header
0020	2	B2	M	1	0	Beginning Segment for Shipment Information Transaction
0030	3	B2A	M	1	0	Set Purpose
0090	4	G62	O	1	0	Date/Time
0130	5	NTE	D	10	1	Note/Special Instruction
0140		0100	O	5	1	N1
0140	6	N1	M	1	1	Name
0010		0300	M	999	1	S5-G62-0310-0320
0010	7	S5	M	1	1	Stop Off Details
0030	8	G62	R	2	2	Date/Time
0070		0310	R	1	2	N1-N3-N4-G61
0070	9	N1	M	1	2	Name
0090	10	N3	O	2	3	Address Information
0100	11	N4	R	1	3	Geographic Location
0120	12	G61	D	2	3	Contact
0130		0320	R	99	2	L5-AT8-0325
0130	13	L5	M	1	2	Description, Marks and Numbers
0135	14	AT8	O	1	3	Shipment Weight, Packaging and Quantity Data
0140		0325	O	99	3	G61-L11-0330
0140	15	G61	M	1	3	Contact
0141	16	L11	D	5	4	Business Instructions and Reference Number
0143		0330	O	25	4	LH1-LFH
0143	17	LH1	M	1	4	Hazardous Identification Information
0146	18	LFH	D	20	5	Freeform Hazardous Material Information
0010	19	L3	O	1	0	Total Weight and Charges
0020	20	SE	M	1	0	Transaction Set Trailer

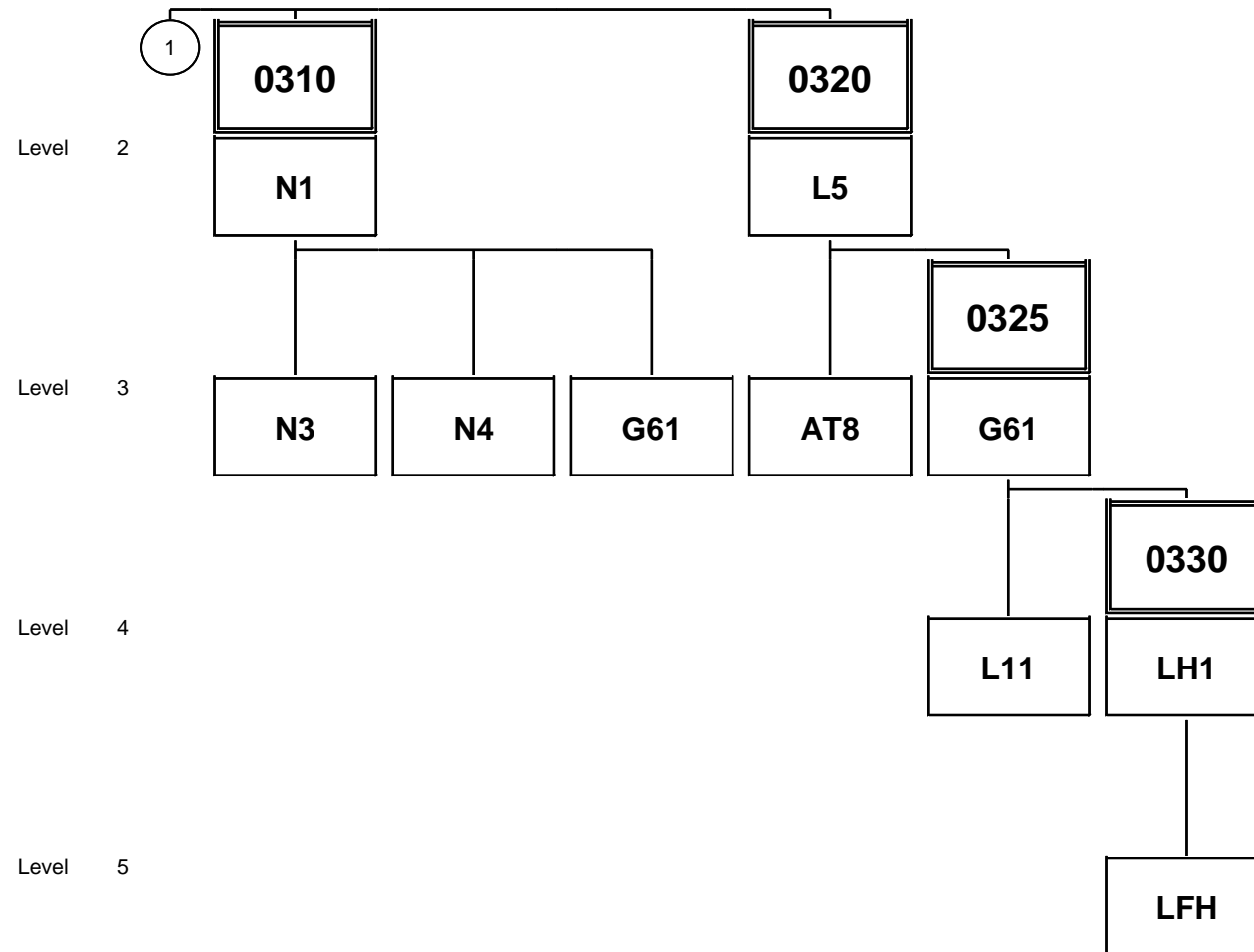
Counter = Counter of segment/group within the standard
 No = Consecutive segment number
 MaxOcc = Maximum occurrence of the segment/group

St = Status
 EDIFACT: M=Mandatory, C=Conditional
 User specific: R=Required, O=Optional, D=Dependent,
 A=Advised, N=Not used

Branching Diagram of Used Segments/Groups



ATLAS Load Carrier



ATLAS Load Carrier



ATLAS LOAD CARRIER

Segment details

Segment: ST
 Seq. No.: 1 Level: 0 **Transaction Set Header**
 Status: M Max. Occ.: 1
 Counter: 0010

Name: Transaction Set Header

Description of segment:

To indicate the start of a transaction set and to assign a control number

Semantic Notes:

1. The transaction set identifier (ST01) used by the translation routines of the interchange partners to select the appropriate transaction set definition (e.g., 810 selects the Invoice Transaction Set).

UN/EDIFACT			Implementation	
	Name	St Format	St Format	Use / Remarks
ST				
143	Transaction Set Identifier Code	M ID 3/3	M ID 3/3	204 = Motor Carrier Load Tender
329	Transaction Set Control Number	M AN 4/9	M AN 4/9	

Remark:

Example:

ST*204*012345!

ATLAS LOAD CARRIER

Segment details

Segment: B2
 Seq. No.: 2 Level: 0 **Beginning Segment for Shipment**
 Status: M Max. Occ.: 1 **Information Transaction**
 Counter: 0020

Name: Beginning Segment for Shipment Information Transaction

Description of segment:

To transmit basic data relating to shipment information

UN/EDIFACT			Implementation	
	Name	St Format	St Format	Use / Remarks
B2				
375	Tariff Service Code	O ID 2/2	N	not used
140	Standard Carrier Alpha Code	O ID 2/4	R ID 2/4	SCAC id
154	Standard Point Location Code	O ID 6/9	N	not used
145	Shipment Identification Number	O AN 1/30	R AN 1/30	Will contain the Transport Booking (TB) ID (ATLAS main reference). Shall be used for EDI exchange with ATLAS When B2A01(353) is 01 or 04, the same document/message number as original message must be used.
188	Weight Unit Code	O ID 1/1	N	not used
146	Shipment Method of Payment	M ID 2/2	M ID 2/2	CC = Collect PP = Prepaid (by Seller) TP = Third Party Pay

Remark:

Example:

B2**SCAC**B01234567890**CC!

ATLAS LOAD CARRIER

Segment details

Segment: B2A
 Seq. No.: 3 Level: 0 **Set Purpose**
 Status: M Max. Occ.: 1
 Counter: 0030

Name: Set Purpose

Description of segment:

To allow for positive identification of transaction set purpose

UN/EDIFACT			Implementation		
	Name	St Format	St Format	Use / Remarks	
B2A					
353	Transaction Set Purpose Code	M ID 2/2	M ID 2/2	00 01 04	= Original = Cancellation = Change
346	Application Type	O ID 2/2	R ID 2/2	LT	= Load Tender

Remark:

Example:

B2A*00*LT!

ATLAS LOAD CARRIER

Segment details

Segment: G62
 Seq. No.: 4 Level: 0 Date/Time
 Status: O Max. Occ.: 1
 Counter: 0090

Name: Date/Time

Description of segment:

To specify pertinent dates and times

UN/EDIFACT			Implementation	
	Name	St Format	St Format	Use / Remarks
G62				
432	Date Qualifier	C ID 2/2	R ID 2/2	64 = Must Respond By
373	Date	C DT 8/8	R DT 8/8	
176	Time Qualifier	C ID 1/2	C ID 1/2	1 = Must Respond By
337	Time	C TM 4/8	R TM 4/8	
623	Time Code	O ID 2/2	R ID 2/2	Use to reflect the relationship towards UTC time, PXX (XX = hour/s prior to UTC), MXX (XX = hour/s after UTC). 01 = Equivalent to ISO P01 02 = Equivalent to ISO P02 03 = Equivalent to ISO P03 04 = Equivalent to ISO P04 05 = Equivalent to ISO P05 06 = Equivalent to ISO P06 07 = Equivalent to ISO P07 08 = Equivalent to ISO P08 09 = Equivalent to ISO P09 10 = Equivalent to ISO P10 11 = Equivalent to ISO P11 12 = Equivalent to ISO P12 13 = Equivalent to ISO M12 14 = Equivalent to ISO M11 15 = Equivalent to ISO M10 16 = Equivalent to ISO M09 17 = Equivalent to ISO M08 18 = Equivalent to ISO M07 19 = Equivalent to ISO M06 20 = Equivalent to ISO M05 21 = Equivalent to ISO M04 22 = Equivalent to ISO M03 23 = Equivalent to ISO M02 24 = Equivalent to ISO M01

Remark:

Example:

G62*64*20120417*1*1257*01!

ATLAS LOAD CARRIER

Segment details

Segment: NTE
 Seq. No.: 5 Level: 1 **Note/Special Instruction**
 Status: D Max. Occ.: 10
 Counter: 0130

Name: Note/Special Instruction

Description of segment:

To transmit information in a free-form format, if necessary, for comment or special instruction

Comments

1. The NTE segment permits free-form information/data which, under ANSI X12 standard implementations, is not machine processable. The use of the NTE segment should therefore be avoided, if at all possible, in an automated environment.

UN/EDIFACT			Implementation	
	Name	St Format	St Format	Use / Remarks
NTE				
363	Note Reference Code	O ID 3/3	R ID 3/3	OTH = Other Instructions
352	Description	M AN 1/80	M AN 1/80	

Remark:

Example:

NTE*OTH*OTHER SEVICE INFORMATION IF NEEDED!

ATLAS LOAD CARRIER

Segment details

Group: 0100 Status: O Max. Occ.: 5 N1

Segment: N1 Seq. No.: 6 Level: 1 **Name**
 Status: M Max. Occ.: 1
 Counter: 0140

Name: **Name**

Description of segment:

To identify a party by type of organization, name, and code

UN/EDIFACT			Implementation	
	Name	St Format	St Format	Use / Remarks
N1				
98	Entity Identifier Code	M ID 2/3	M ID 2/3	CA = Carrier FW = Forwarder
93	Name	C AN 1/60	R AN 1/60	
66	Identification Code Qualifier	C ID 1/2	R ID 1/2	92 = Assigned by Buyer or Buyer's Agent
67	Identification Code	C AN 2/80	R AN 2/80	SCAC_PARMA identity description

Remark:

Example:

N1*CA*CARRIER NAME*92*SCAC_PARMA!

ATLAS LOAD CARRIER

Segment details

Group: **0300** Status: M Max. Occ.: 999 S5-G62-0310-0320
 New loop 0300-0330 per stop

Segment: **S5** Seq. No.: 7 Level: 1 **Stop Off Details**
 Status: M Max. Occ.: 1
 Counter: 0010

Name: **Stop Off Details**

Description of segment:

To specify stop-off detail reference numbers and stop reason

UN/EDIFACT			Implementation	
	Name	St Format	St Format	Use / Remarks
S5				
165	Stop Sequence Number	M N0 1/3	M N0 1/3	
163	Stop Reason Code	M ID 2/2	M ID 2/2	LD = Load UL = Unload

Remark:

Example:

S5*1*LD!

ATLAS LOAD CARRIER

Segment details

Group: **0300** Status: M Max. Occ.: 999 S5-G62-0310-0320
 New loop 0300-0330 per stop

Segment: **G62** Seq. No.: 8 Level: 2 **Date/Time**
 Status: R Max. Occ.: 2
 Counter: 0030

Name: **Date/Time**

Description of segment:

To specify pertinent dates and times

UN/EDIFACT			Implementation	
	Name	St Format	St Format	Use / Remarks
G62				
432	Date Qualifier	C ID 2/2	R ID 2/2	02 = Delivery Requested on This Date 10 = Requested Ship Date/Pick-up Date
373	Date	C DT 8/8	R DT 8/8	

Remark:

Example:

G62*02*20120417!

ATLAS LOAD CARRIER

Segment details

Group: 0300 Status: M Max. Occ.: 999 S5-G62-0310-0320

Group: 0310 Status: R Max. Occ.: 1 N1-N3-N4-G61

Only the party related to the stop, i.e. SF or ST.

Segment: N1 Seq. No.: 9 Level: 2 **Name**
 Status: M Max. Occ.: 1
 Counter: 0070

Name: Name

Description of segment:

To identify a party by type of organization, name, and code

UN/EDIFACT			Implementation	
	Name	St Format	St Format	Use / Remarks
N1				
98	Entity Identifier Code	M ID 2/3	M ID 2/3	SF = Ship From ST = Ship To
93	Name	C AN 1/60	R AN 1/60	
66	Identification Code Qualifier	C ID 1/2	R ID 1/2	92 = Assigned by Buyer or Buyer's Agent
67	Identification Code	C AN 2/80	R AN 2/80	Partner id provided by Volvo

Remark:

Example:

N1*SF*VOLVO VENDOR*92*PARMA!
 N1*ST*VOLVO FACTORY*92*PARMA!

ATLAS LOAD CARRIER

Segment details

Group: 0300 Status: M Max. Occ.: 999 S5-G62-0310-0320

Group: 0310 Status: R Max. Occ.: 1 N1-N3-N4-G61

Only the party related to the stop, i.e. SF or ST.

Segment: N3 Seq. No.: 10 Level: 3 **Address Information**
 Status: O Max. Occ.: 2
 Counter: 0090

Name: Address Information

Description of segment:

To specify the location of the named party

UN/EDIFACT		Implementation		
	Name	St Format	St Format	Use / Remarks
N3				
166	Address Information	M AN 1/55	M AN 1/55	
166	Address Information	O AN 1/55	D AN 1/55	If needed

Remark:

Example:

N3*VENDOR STREET*X!

ATLAS LOAD CARRIER

Segment details

Group: 0300 Status: M Max. Occ.: 999 S5-G62-0310-0320

Group: 0310 Status: R Max. Occ.: 1 N1-N3-N4-G61

Only the party related to the stop, i.e. SF or ST.

Segment: N4 Seq. No.: 11 Level: 3 **Geographic Location**
 Status: R Max. Occ.: 1
 Counter: 0100

Name: Geographic Location

Description of segment:

To specify the geographic place of the named party

UN/EDIFACT		Implementation		
	Name	St Format	St Format	Use / Remarks
N4				
19	City Name	O AN 2/30	D AN 2/30	
156	State or Province Code	O ID 2/2	D ID 2/2	
116	Postal Code	O ID 3/15	D ID 3/15	
26	Country Code	O ID 2/3	D ID 2/3	

Remark:

Example:

N4*VENDOR TOWN*VA*24084*US!

ATLAS LOAD CARRIER

Segment details

Group: 0300 Status: M Max. Occ.: 99 S5-G62-0310-0320

Group: 0320 Status: R Max. Occ.: 99 L5-AT8-0325

Looped (0320-0330) per TBR level information related to the stop given.

Segment: L5 Seq. No.: 13 Level: 2 **Description, Marks and Numbers**
 Status: M Max. Occ.: 1
 Counter: 0130

Name: Description, Marks and Numbers

Description of segment:

To specify the line item in terms of description, quantity, packaging, and marks and numbers

UN/EDIFACT			Implementation	
	Name	St Format	St Format	Use / Remarks
L5				
213	Lading Line Item Number	O N0 1/3	O N0 1/3	Sequential counter per TB ship unit on stop.
79	Lading Description	O AN 1/50	N	not used
22	Commodity Code	C AN 1/30	N	not used
23	Commodity Code Qualifier	C ID 1/1	N	not used
103	Packaging Code	O AN 3/5	N	not used
87	Marks and Numbers	C AN 1/48	R AN 1/48	Unique id (SRN = Shipment reference number) for original shipper/ultimate consignee within the transport assignment (TB). Shall be used for EDI exchange on corresponding level with ATLAS.
88	Marks and Numbers Qualifier	O ID 1/2	R ID 1/2	L = Line Item Only

Remark:

Example:

L5*1*****S01234567890123*L!

ATLAS LOAD CARRIER

Segment details

Group: **0300** Status: M Max. Occ.: 99 S5-G62-0310-0320

Group: **0320** Status: R Max. Occ.: 99 L5-AT8-0325

Looped (0320-0330) per TBR level information related to the stop given.

Segment: **AT8** Seq. No.: 14 Level: 3 **Shipment Weight, Packaging and Quantity Data**
 Status: O Max. Occ.: 1
 Counter: 0135

Name: Shipment Weight, Packaging and Quantity Data

Description of segment:

To specify shipment details in terms of weight, and quantity of handling units

UN/EDIFACT		Implementation		
	Name	St Format	St Format	Use / Remarks
AT8				
187	Weight Qualifier	C ID 1/2	R ID 1/2	G = Gross Weight
188	Weight Unit Code	C ID 1/1	R ID 1/1	L = Pounds
81	Weight	C R 1/10	R R 1/10	
80	Lading Quantity	O N0 1/7	N	not used
80	Lading Quantity	O N0 1/7	R N0 1/7	
184	Volume Unit Qualifier	C ID 1/1	R ID 1/1	E = Cubic Feet
183	Volume	C R 1/8	R R 1/8	

Remark:

Example:

AT8*G*L*3400**9*E*35!

ATLAS LOAD CARRIER

Segment details

Group: **0300** Status: M Max. Occ.: 999 S5-G62-0310-0320
Group: **0320** Status: R Max. Occ.: 99 L5-AT8-0325
Group: **0325** Status: O Max. Occ.: 99 G61-L11-0330
Group: **0330** Status: O Max. Occ.: 25 LH1-LFH
Segment: **LH1** Seq. No.: 17 Level: 4 **Hazardous Identification Information**
 Status: M Max. Occ.: 1
 Counter: 0143

Name: Hazardous Identification Information

Description of segment:

To specify the hazardous commodity identification reference number and quantity

UN/EDIFACT		Implementation		
	Name	St Format	St Format	Use / Remarks
LH1				
355	Unit or Basis for Measurement Code	M ID 2/2	N	not used
80	Lading Quantity	M N0 1/7	N	not used
277	UN/NA Identification Code	O ID 6/6	D ID 6/6	UNDG number
200	Hazardous Materials Page	O AN 1/6	N	not used
22	Commodity Code	O AN 1/30	O AN 1/30	Primary class description mandatory and secondary class if available. 1 = Explosive 2 = Gases 3 = Flammable liquid 4 = Flammable solid 5 = Oxidiser and organic peroxide 6 = Poison 7 = Radioactive 8 = Corrosive
355	Unit or Basis for Measurement Code	O ID 2/2	N	not used
380	Quantity	O R 1/15	N	not used
595	Compartment ID Code	O ID 1/1	N	not used
665	Residue Indicator Code	O ID 1/1	N	not used
254	Packing Group Code	O ID 1/3	O ID 1/3	1 = Great danger 2 = Medium danger 3 = Minor danger

Remark:

Example:

LH1***UN2794**8*****3!

ATLAS LOAD CARRIER

Segment details

Group:	0300	Status: M	Max. Occ.: 999	S5-G62-0310-0320
Group:	0320	Status: R	Max. Occ.: 99	L5-AT8-0325
Group:	0325	Status: O	Max. Occ.: 99	G61-L11-0330
Group:	0330	Status: O	Max. Occ.: 25	LH1-LFH
Segment:	LFH	Seq. No.: 18 Status: D Counter: 0146	Level: 5 Max. Occ.: 20	Freeform Hazardous Material Information

Name: Freeform Hazardous Material Information

Description of segment:

To uniquely identify the variable information required by government regulation covering the transportation of hazardous material shipments

UN/EDIFACT			Implementation	
	Name	St Format	St Format	Use / Remarks
LFH				
808	Hazardous Material Shipment Information Qualifier	M ID 3/3	R ID 3/3	TEC = Technical or Chemical Group Name
809	Hazardous Material Shipment Information	M AN 1/25	R AN 1/25	Proper shipping name.
809	Hazardous Material Shipment Information	O AN 1/25	D AN 1/25	If more information is needed.

Remark:

Example:

LFH*TEC*BATTERY WET, FILLED WITH*ACID!

ATLAS LOAD CARRIER

Segment details

Segment:

L3

Seq. No.: 19 Level: 0
 Status: O Max. Occ.: 1
 Counter: 0010

Total Weight and Charges

Name: Total Weight and Charges

Description of segment:

To specify the total shipment in terms of weight, volume, rates, charges, advances, and prepaid amounts applicable to one or more line items

UN/EDIFACT			Implementation	
	Name	St Format	St Format	Use / Remarks
L3				
81	Weight	C R 1/10	R R 1/10	
187	Weight Qualifier	C ID 1/2	R ID 1/2	G = Gross Weight
60	Freight Rate	C R 1/9	N	not used
122	Rate/Value Qualifier	C ID 2/2	N	not used
58	Charge	O N2 1/12	N	not used
191	Advances	O N2 1/9	N	not used
117	Prepaid Amount	O N2 1/9	N	not used
150	Special Charge or Allowance Code	O ID 3/3	N	not used
183	Volume	C R 1/8	R R 1/8	
184	Volume Unit Qualifier	C ID 1/1	R ID 1/1	E = Cubic Feet
80	Lading Quantity	O N0 1/7	R N0 1/7	
188	Weight Unit Code	O ID 1/1	R ID 1/1	L = Pounds

Remark:

Example:

L3*3400*G*****35*E*9*L!

ATLAS LOAD CARRIER

Segment details

Segment: SE
 Seq. No.: 20 Level: 0 **Transaction Set Trailer**
 Status: M Max. Occ.: 1
 Counter: 0020

Name: Transaction Set Trailer

Description of segment:

To indicate the end of the transaction set and provide the count of the transmitted segments (including the beginning (ST) and ending (SE) segments)

Comments

- SE is the last segment of each transaction set.

UN/EDIFACT			Implementation	
	Name	St Format	St Format	Use / Remarks
SE				
96	Number of Included Segments	M N0 1/10	M N0 1/10	
329	Transaction Set Control Number	M AN 4/9	M AN 4/9	

Remark:

Example:

SE*20*012345!