



Message Specification

A4D Vehicle Loading Instruction, Sea

Based on:

IFTMIN

Instruction message

UN D.98B S3

Version: 1.3

Issue date: 2015-02-20

Author: Volvo Information Technology AB

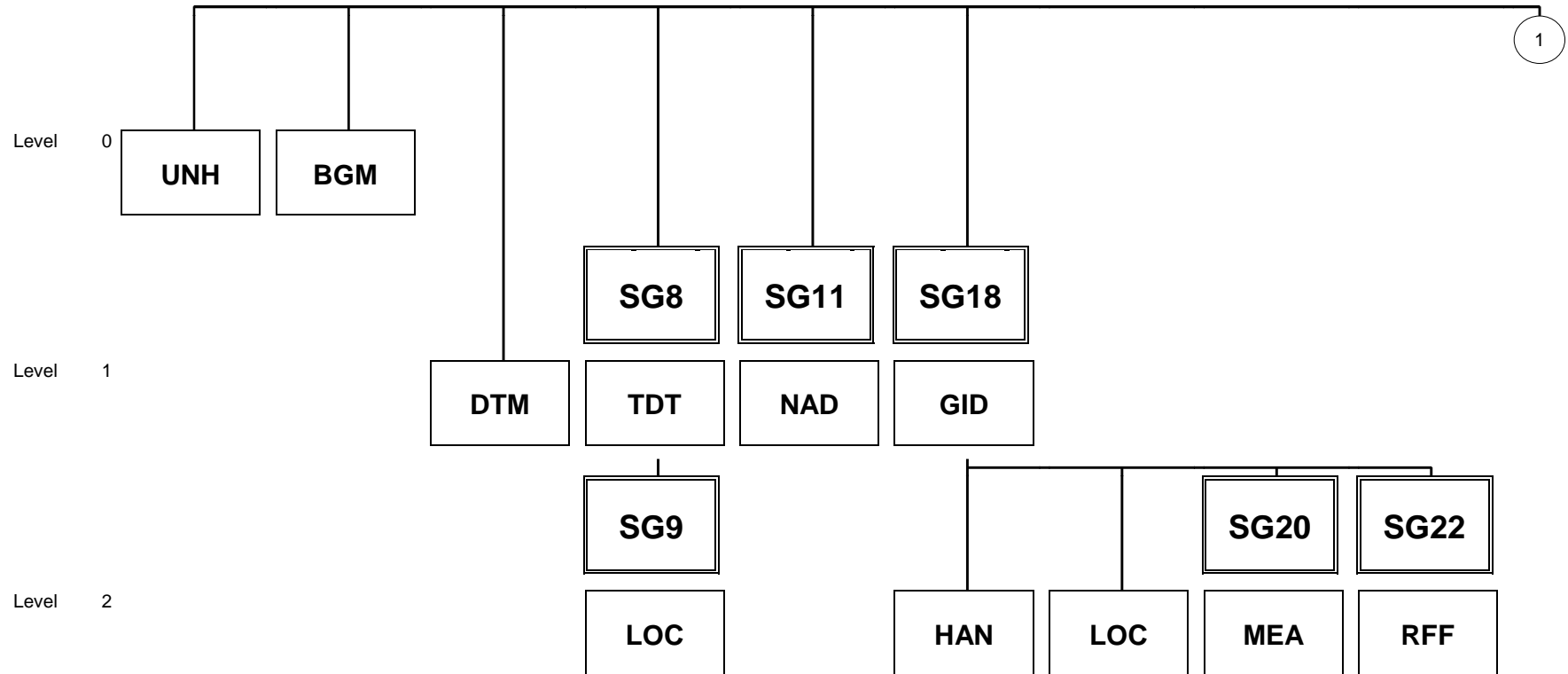
Message Structure

Counter	No	Tag	St	MaxOcc	Level	Content
0010	1	UNH	M	1	0	Message header
0020	2	BGM	M	1	0	Beginning of message
0050	3	DTM	R	1	1	Date/time/period
0460		SG8	R	1	1	TDT-SG9
0470	4	TDT	M	1	1	Details of transport
0500		SG9	R	2	2	LOC
0510	5	LOC	M	1	2	Place/location identification
0560		SG11	M	2	1	NAD
0570	6	NAD	M	1	1	Name and address
0890		SG18	R	999	1	GID-HAN-LOC-SG20-SG22
0900	7	GID	M	1	1	Goods item details
0910	8	HAN	R	1	2	Handling instructions
0950	9	LOC	D	1	2	Place/location identification
1040		SG20	D	1	2	MEA
1050	10	MEA	M	1	2	Measurements
1100		SG22	R	3	2	RFF
1110	11	RFF	M	1	2	Reference
1920	12	UNT	M	1	0	Message trailer

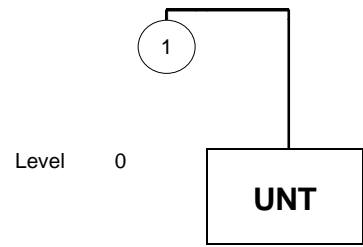
Counter = Counter of segment/group within the standard
 No = Consecutive segment number
 MaxOcc = Maximum occurrence of the segment/group

St = Status
 EDIFACT: M=Mandatory, C=Conditional
 User specific: R=Required, O=Optional, D=Dependent,
 A=Advised, N=Not used

Branching Diagram of Used Segments/Groups



A4D Vehicle Loading Instruction, Sea



A4D VEHICLE LOADING INSTRUCTION, SEA

Segment details

Segment: UNH
 Seq. No.: 1 Level: 0 **Message header**
 Status: M Max. Occ.: 1
 Counter: 0010

Name: Message header

Description of segment:

A service segment starting and uniquely identifying a message. The message type code for the Instruction message is IFTMIN.

UN/EDIFACT			Implementation	
	Name	St Format	St Format	Use / Remarks
UNH				
0062	Message reference number	M an..14	M an..14	
S009	Message identifier	M	M	
0065	Message type identifier	M an..6	M an..6	IFTMIN = Instruction message
0052	Message version number	M an..3	M an..3	D = Draft version/UN/EDIFACT Directory
0054	Message release number	M an..3	M an..3	98B = Release 1998 - B
0051	Controlling agency	M an..2	M an..2	UN = UN/ECE/TRADE/WP.4
0057	Association assigned code	C an..6	R an..6	VT0060 = A4D Loading Instruction

Remark:

Example:

UNH+0123+IFTMIN:D:98B:UN:VT0060'

A4D VEHICLE LOADING INSTRUCTION, SEA

Segment details

Segment: BGM
 Seq. No.: 2 Level: 0 **Beginning of message**
 Status: M Max. Occ.: 1
 Counter: 0020

Name: Beginning of message

Description of segment:

A segment to indicate the beginning of a message and to transmit identifying number and type of the message.

UN/EDIFACT		Implementation		
	Name	St Format	St Format	Use / Remarks
BGM				
C002	Document/message name	C	R	
1001	Document/message name, coded	C an..3	R an..3	121 = Transport loading instruction
C106	Document/message identification	C	R	
1004	Document/message number	C an..35	R an..35	
1225	Message function, coded	C an..3	D an..3	2 = Addition <i>Used if there are more than 999 vehicles in the same voyage</i> 4 = Change 9 = Original Code '9' is assumed if not used.

Remark:

Example:

BGM+121+0123456789+2'

A4D VEHICLE LOADING INSTRUCTION, SEA

Segment details

Segment: **DTM**
 Seq. No.: 3 Level: 1 **Date/time/period**
 Status: R Max. Occ.: 1
 Counter: 0050

Name: **Date/time/period**

Description of segment:

A segment to indicate a date and time applying to the whole message, e.g., date and time of document issue.

UN/EDIFACT			Implementation	
	Name	St Format	St Format	Use / Remarks
DTM				
C507	Date/time/period	M	M	
2005	Date/time/period qualifier	M an..3	M an..3	182 = Issue date
2380	Date/time/period	C an..35	R an..35	
2379	Date/time/period format qualifier	C an..3	R an..3	204 = CCYYMMDDHHMMSS

Remark:

Example:

DTM+182:20141119142930:204'

A4D VEHICLE LOADING INSTRUCTION, SEA

Segment details

Group: SG8 Status: R Max. Occ.: 1 TDT-SG9

Segment: TDT Seq. No.: 4 Level: 1 **Details of transport**
 Status: M Max. Occ.: 1
 Counter: 0470

Name: **Details of transport**

Description of segment:

A segment to indicate information related to a certain stage of the transport, such as mode, means and carrier.

UN/EDIFACT		Implementation		
	Name	St Format	St Format	Use / Remarks
TDT				
8051	Transport stage qualifier	M an..3	M an..3	20 = Main-carriage transport
8028	Conveyance reference number	C an..17	R an..17	Transport Identification (voyage number).
C220	Mode of transport	C	R	
8067	Mode of transport, coded	C an..3	R an..3	10 = Maritime transport 11 = Ferry transport
C228	Transport means	C	N	not used
8179	Type of means of transport identification	C an..8	N	not used
C040	Carrier	C	N	not used
3127	Carrier identification	C an..17	N	not used
8101	Transit direction, coded	C an..3	N	not used
C401	Excess transportation information	C	N	not used
8457	Excess transportation reason, coded	M an..3	N	not used
C222	Transport identification	C	R	
8213	Id. of means of transport identification	C an..9	N	not used
1131	Code list qualifier	C an..3	N	not used
3055	Code list responsible agency, coded	C an..3	N	not used
8212	Id. of the means of transport	C an..35	R an..35	Name of the vessel.

Remark:

Example:

TDT+20+VOYAGE NUMBER+10++++: : :NAME OF VESSEL'

A4D VEHICLE LOADING INSTRUCTION, SEA

Segment details

Group:	SG8	Status: R	Max. Occ.: 1	TDT-SG9
Group:	SG9	Status: R	Max. Occ.: 2	LOC
Segment:	LOC	Seq. No.: 5 Status: M Counter: 0510	Level: 2 Max. Occ.: 1	Place/location identification

Name: Place/location identification

Description of segment:

A segment to indicate a location such as origin, destination, stop off, etc. related to this leg of transport.

UN/EDIFACT			Implementation	
	Name	St Format	St Format	Use / Remarks
LOC				
3227	Place/location qualifier	M an..3	M an..3	5 = Place of departure 8 = Place of destination
C517	Location identification	C	R	
3225	Place/location identification	C an..25	R an..25	Based on UN/LOCODE or A4D location code (A4D location code is based on a 5-digit UN/LOCODE and a 4-digit A4D suffix)
1131	Code list qualifier	C an..3	R an..3	139 = Port
3055	Code list responsible agency, coded	C an..3	R an..3	RA1 = Assigned by freight forwarder.

Remark:

Example:

LOC+5+SEGOT1030:139:RA1'

A4D VEHICLE LOADING INSTRUCTION, SEA

Segment details

Group: SG11 Status: M Max. Occ.: 2 NAD

Segment: NAD Seq. No.: 6 Level: 1 **Name and address**
 Status: M Max. Occ.: 1
 Counter: 0570

Name: **Name and address**

Description of segment:

A segment to identify the party's name, address, and function.

UN/EDIFACT		Implementation		
	Name	St Format	St Format	Use / Remarks
NAD				
3035	Party qualifier	M an..3	M an..3	CA = Carrier FW = Freight forwarder
C082	Party identification details	C	R	
3039	Party identification	M an..35	M an..35	PARMA id provided by Volvo.
1131	Code list qualifier	C an..3	N	not used
3055	Code list responsible agency, coded	C an..3	R an..3	RA1 = Assigned by freight forwarder.
C058	Name and address	C	R	
3124	Name and address line	M an..35	M an..35	The Name of the party.

Remark:

Example:

NAD+CA+PARMA:::RA1+NAME OF PARTY '

A4D VEHICLE LOADING INSTRUCTION, SEA

Segment details

Group: SG18 Status: R Max. Occ.: 999 GID-HAN-LOC-SG20-SG22

Segment: GID Seq. No.: 7 Level: 1 **Goods item details**
 Status: M Max. Occ.: 1
 Counter: 0900

Name: **Goods item details**

Description of segment:

A segment to identify a goods item for which transport is undertaken. A goods item can be identified by up to three levels of packaging.

UN/EDIFACT			Implementation	
	Name	St Format	St Format	Use / Remarks
GID				
1496	Goods item number	C n..5	R n..5	A unique number per vehicle
C213	Number and type of packages	C	R	
7224	Number of packages	C n..8	N	not used
7065	Type of packages identification	C an..17	R an..17	Vehicle Identification number.
1131	Code list qualifier	C an..3	R an..3	AKG = Vehicle Identification Number
3055	Code list responsible agency, coded	C an..3	R an..3	90 = Assigned by manufacturer
C213	Number and type of packages	C	R	
7224	Number of packages	C n..8	N	not used
7065	Type of packages identification	C an..17	R an..17	Chassis number
1131	Code list qualifier	C an..3	R an..3	CHA = Chassi number
3055	Code list responsible agency, coded	C an..3	R an..3	90 = Assigned by manufacturer
C213	Number and type of packages	C	R	
7224	Number of packages	C n..8	N	not used
7065	Type of packages identification	C an..17	N	not used
1131	Code list qualifier	C an..3	N	not used
3055	Code list responsible agency, coded	C an..3	N	not used
7064	Type of packages	C an..35	R an..35	Assigned in which order the vehicles shall be lined up for a loading. Start with 1 for the foremost vehicle.
7233	Packaging related information, coded	C an..3	R an..3	42 = Placement on carrier
C213	Number and type of packages	C	R	
7224	Number of packages	C n..8	N	not used
7065	Type of packages identification	C an..17	R an..17	Booking Party Code
1131	Code list qualifier	C an..3	R an..3	42 = Business function
3055	Code list responsible agency, coded	C an..3	R an..3	RA1 = Assigned by freight forwarder.
C213	Number and type of packages	C	R	
7224	Number of packages	C n..8	N	not used
7065	Type of packages identification	C an..17	R an..17	Main type code
1131	Code list qualifier	C an..3	R an..3	57 = Product code
3055	Code list responsible agency,	C an..3	R an..3	RA1 = Assigned by freight forwarder.

A4D VEHICLE LOADING INSTRUCTION, SEA

Segment details

UN/EDIFACT			Implementation	
	Name	St Format	St Format	Use / Remarks
7064	Type of packages coded	C an..35	R an..35	Used to describe main type code.

Remark:

Example:

GID+9+:VIN:AKG:90+:CHASSINR:CHA:90+:::1:42+:BPC:42:RA1+:MTC:57:RA1+:MTC
DESCRIPTION'

A4D VEHICLE LOADING INSTRUCTION, SEA

Segment details

Group: SG18 Status: R Max. Occ.: 999 GID-HAN-LOC-SG20-SG22

Segment: HAN Seq. No.: 8 Level: 2 **Handling instructions**
 Status: R Max. Occ.: 1
 Counter: 0910

Name: **Handling instructions**

Description of segment:

A segment to specify handling instructions relating to the goods item.

UN/EDIFACT			Implementation	
	Name	St Format	St Format	Use / Remarks
HAN				
C524	Handling instructions	C	R	
4079	Handling instructions, coded	C an..3	R an..3	1 = Express 2 = Planned 3 = Release distibution hold 4 = Extra 5 = Distribution hold
1131	Code list qualifier	C an..3	R an..3	63 = Handling action
3055	Code list responsible agency, coded	C an..3	R an..3	RA1 = Assigned by freight forwarder.

Remark:

Example:

HAN+1:63:RA1'

A4D VEHICLE LOADING INSTRUCTION, SEA

Segment details

Group: SG18 Status: R Max. Occ.: 999 GID-HAN-LOC-SG20-SG22

Segment: LOC Seq. No.: 9 Level: 2 **Place/location identification**
 Status: D Max. Occ.: 1
 Counter: 0950

Name: **Place/location identification**

Description of segment:

A segment to specify a place associated with a goods item.

UN/EDIFACT		Implementation		
	Name	St Format	St Format	Use / Remarks
LOC				
3227	Place/location qualifier	M an..3	M an..3	14 = Location of goods
C517	Location identification	C	R	
3225	Place/location identification	C an..25	R an..25	Based on UN/LOCODE or A4D location code (A4D location code is based on a 5-digit UN/LOCODE and a 4-digit A4D suffix)
1131	Code list qualifier	C an..3	R an..3	156 = Location of goods
3055	Code list responsible agency, coded	C an..3	R an..3	RA1 = Assigned by freight forwarder.
C519	Related location one identification	C	D	
3223	Related place/location one identification	C an..25	R an..25	Parking space.
1131	Code list qualifier	C an..3	R an..3	156 = Location of goods
3055	Code list responsible agency, coded	C an..3	R an..3	RA1 = Assigned by freight forwarder.

Remark:

Used when the vehicle is in departure port and parking space is known.

Example:

LOC+14+SEGOT1030:156:RA1+PLACE1A:156:RA1 '

A4D VEHICLE LOADING INSTRUCTION, SEA

Segment details

Group: SG18 Status: R Max. Occ.: 999 GID-HAN-LOC-SG20-SG22

Group: SG20 Status: D Max. Occ.: 1 MEA

Used if colour is required

Segment: MEA Seq. No.: 10 Level: 2 **Measurements**
 Status: M Max. Occ.: 1
 Counter: 1050

Name: Measurements

Description of segment:

A segment to specify measurements, other than dimensions, applicable to a goods item.

UN/EDIFACT		Implementation		
	Name	St Format	St Format	Use / Remarks
MEA				
6311	Measurement purpose qualifier	M an..3	M an..3	ABB = Colour
C502	Measurement details	C	N	not used
6313	Property measured, coded	C an..3	N	not used
C174	Value/range	C	R	
6411	Measure unit qualifier	M an..3	M an..3	CDE = Code or other value.
6314	Measurement value	C an..18	R an..18	Colour in text.

Remark:

Example:

MEA+ABB++CDE : YELLOW '

A4D VEHICLE LOADING INSTRUCTION, SEA

Segment details

Group: **SG18** Status: R Max. Occ.: 999 GID-HAN-LOC-SG20-SG22

Group: **SG22** Status: R Max. Occ.: 3 RFF

Segment: **RFF** Seq. No.: 11 Level: 2 **Reference**
 Status: M Max. Occ.: 1
 Counter: 1110

Name: Reference

Description of segment:

A segment to identify a reference to a goods item.

UN/EDIFACT		Implementation		
	Name	St Format	St Format	Use / Remarks
RFF				
C506	Reference	M	M	
1153	Reference qualifier	M an..3	M an..3	BN = Booking reference number
1154	Reference number	C an..35	R an..35	Booking reference number

Remark:

Example:

RFF+BN:BNR0123456789'

A4D VEHICLE LOADING INSTRUCTION, SEA

Segment details

Segment: UNT
 Seq. No.: 12 Level: 0 **Message trailer**
 Status: M Max. Occ.: 1
 Counter: 1920

Name: **Message trailer**

Description of segment:

A service segment ending a message, giving the total number of segments in the message and the control reference number of the message.

UN/EDIFACT		Implementation		
	Name	St Format	St Format	Use / Remarks
UNT				
0074	Number of segments in the message	M n..6	M n..6	
0062	Message reference number	M an..14	M an..14	

Remark:

Example:

UNT+12+0123 '