



Message Specification

VOLVO GLOBAL APERAK D07A

Based on:

APERAK

Application error and acknowledgement message

UN D.07A S4

Version: 1
Variant: 0
Issue date: 23/01/2020
Author: Volvo Group IT

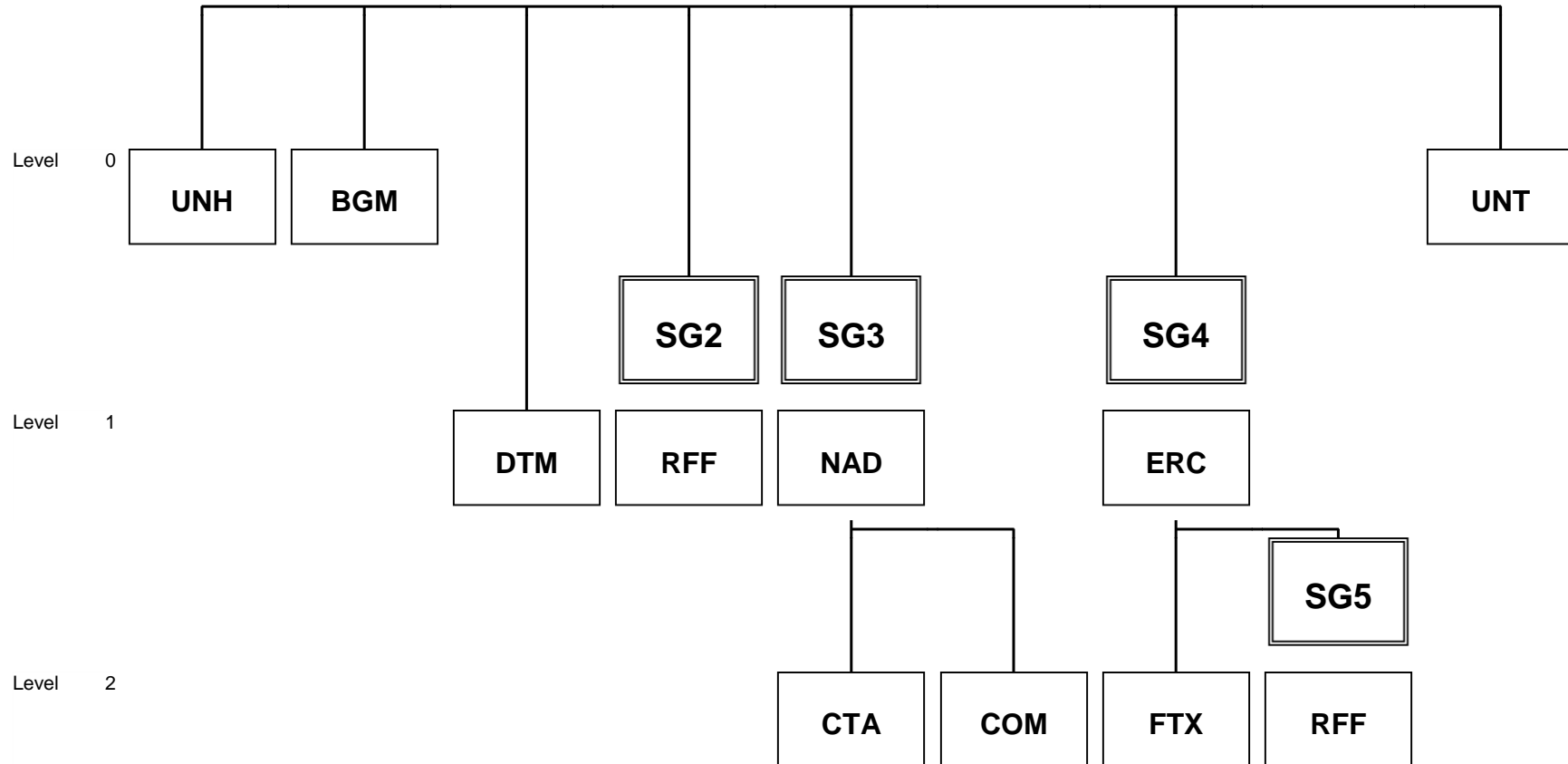
Message Structure

Counter	No	Tag	St	MaxOcc	Level	Content
0010	1	UNH	M	1	0	Message header
0020	2	BGM	M	1	0	Beginning of message
0030	3	DTM	R	1	1	Date/time/period
0090		SG2	R	1	1	RFF
0100	4	RFF	M	1	1	Reference
0120		SG3	O	1	1	Buyer
0130	5	NAD	M	1	1	Name and address
0140	6	CTA	C	1	2	Contact information
0150	7	COM	C	2	2	Communication contact
0120		SG3	C	1	1	Seller
0130	8	NAD	M	1	1	Name and address
0140	9	CTA	C	1	2	Contact information
0150	10	COM	C	2	2	Communication contact
0120		SG3	C	1	1	Ship From
0130	11	NAD	M	1	1	Name and address
0140	12	CTA	C	1	2	Contact information
0150	13	COM	C	2	2	Communication contact
0120		SG3	C	1	1	Ship To
0130	14	NAD	M	1	1	Name and address
0140	15	CTA	C	1	2	Contact information
0150	16	COM	C	2	2	Communication contact
0160		SG4	R	10	1	ERC-FTX-SG5
0170	17	ERC	M	1	1	Application error information
0180	18	FTX	C	1	2	Free text
0190		SG5	C	1	2	RFF
0200	19	RFF	M	1	2	Reference
0220	20	UNT	M	1	0	Message trailer

Counter = Counter of segment/group within the standard
 No = Consecutive segment number
 MaxOcc = Maximum occurrence of the segment/group

St = Status
 EDIFACT: M=Mandatory, C=Conditional
 User specific: R=Required, O=Optional, D=Dependent,
 A=Advised, N=Not used

Branching Diagram of Used Segments/Groups



Segment:

UNH

Seq. No.: 1 Level: 0
 Status: M Max. Occ.: 1
 Counter: 0010

Message header

Name: Message header

UN/EDIFACT			Implementation	
	Name	St Format	St Format	Use / Remarks
UNH				
0062	Message reference number	M an..14	M an..14	
S009	Message identifier	M	M	
0065	Message type	M an..6	M an..6	APERAK Application error and acknowledgement message
0052	Message version number	M an..3	M an..3	D Draft version/UN/EDIFACT Directory
0054	Message release number	M an..3	M an..3	07A Release 2007 - A
0051	Controlling agency, coded	M an..3	M an..3	UN UN/CEFACT

Remark:

Example:

UNH+968574+APERAK:D:07A:UN'

Segment:

BGMSeq. No.: 2 Level: 0
Status: M Max. Occ.: 1
Counter: 0020

Beginning of message

Name: Beginning of message

UNEDIFACT			Implementation	
	Name	St Format	St Format	Use / Remarks
BGM				
C002	Document/message name	C	C	
1001	Document name code	C an..3	R an..3	305 Application error and acknowledgement
1131	Code list identification code	C an..17	N	not used
3055	Code list responsible agency code	C an..3	N	not used
1000	Document name	C an..35	N	not used
C106	Document/message identification	C	R	
1004	Document identifier	C an..35	R an..35	Unique identifier of a document. Synonym: document number
1056	Version identifier	C an..9	N	not used
1060	Revision identifier	C an..6	N	not used
1225	Message function code	C an..3	R an..3	9 Original
4343	Response type code	C an..3	R an..3	RE Rejected

Remark:

Example:

BGM+305+219840593+9+RE'

Segment:

DTM

Seq. No.: 3 Level: 1
 Status: R Max. Occ.: 1
 Counter: 0030

Date/time/period

Name: Date/time/period

UNEDIFACT			Implementation		
	Name	St Format	St Format	Use / Remarks	
DTM					
C507	Date/time/period	M	M		
2005	Date or time or period function code qualifier	M an..3	M an..3	137	Document issue date time
2380	Date or time or period text	C an..35	R an..35		
2379	Date or time or period format code	C an..3	R an..3	102 203	CCYYMMDD CCYYMMDDHHMM

Remark:

Example:

DTM+137:20160801:102'

Group: **SG2** Status: R Max. Occ.: 1 RFF

Segment: **RFF** Seq. No.: 4 Level: 1 **Reference**
 Status: M Max. Occ.: 1
 Counter: 0100

Name: Reference

UN/EDIFACT			Implementation	
	Name	St Format	St Format	Use / Remarks
RFF				
C506	Reference	M	M	
1153	Reference code qualifier	M an..3	M an..3	AAK Despatch advice number ON Order document identifier, buyer assigned IV Invoice document identifier
1154	Reference identifier	C an..70	R an..70	Reference to purchase order number, despatch advice number or invoice number.
1156	Document line identifier	C an..6	N	not used
1056	Version identifier	C an..9	N	not used
1060	Revision identifier	C an..6	N	not used

Remark:

Example:

RFF+ON: 5372D-45962 '

Group: **SG3** Status: O Max. Occ.: 1 Buyer

Segment: **NAD** Seq. No.: 5 Level: 1 Name and address
 Status: M Max. Occ.: 1
 Counter: 0130

Name: Name and address

UN/EDIFACT			Implementation	
	Name	St Format	St Format	Use / Remarks
NAD				
3035	Party function code qualifier	M an..3	M an..3	BY Buyer
C082	Party identification details	C	R	
3039	Party identifier	M an..35	M an..35	
1131	Code list identification code	C an..17	N	not used
3055	Code list responsible agency code	C an..3	R an..3	92 Assigned by buyer or buyer's agent
C058	Name and address	C	N	not used
3124	Name and address description	M an..35	N	not used
C080	Party name	C	C	
3036	Party name	M an..35	M an..35	
3036	Party name	C an..35	C an..35	
C059	Street	C	C	
3042	Street and number or post office box identifier	M an..35	M an..35	
3042	Street and number or post office box identifier	C an..35	C an..35	
3164	City name	C an..35	C an..35	
C819	Country subdivision details	C	C	
3229	Country subdivision identifier	C an..9	C an..9	
3251	Postal identification code	C an..17	C an..17	
3207	Country identifier	C an..3	C an..3	

Remark:

Example:

NAD+BY+1001::92++VOLVO TRUCK CORPORATION AB++GOTHENBURG++40508+SE'

Group: **SG3** Status: O Max. Occ.: 1 Buyer

Segment: **CTA** Seq. No.: 6 Level: 2 **Contact information**
 Status: C Max. Occ.: 1
 Counter: 0140

Name: Contact information

UN/EDIFACT			Implementation	
	Name	St Format	St Format	Use / Remarks
CTA				
3139	Contact function code	C an..3	C an..3	IC Information contact
C056	Contact details	C	C	
3413	Contact identifier	C an..17	N	not used
3412	Contact name	C an..256	C an..256	

Remark:

Example:

CTA+IC+:JOE SMITH'

Group: **SG3** Status: O Max. Occ.: 1 Buyer

Segment: **COM** Seq. No.: 7 Level: 2 **Communication contact**
 Status: C Max. Occ.: 2
 Counter: 0150

Name: **Communication contact**

UN/EDIFACT			Implementation		
	Name	St Format	St Format	Use / Remarks	
COM					
C076	Communication contact	M	M		
3148	Communication address identifier	M an..512	M an..512		
3155	Communication means type code	M an..3	M an..3	TE EM	Telephone Electronic mail

Remark:

Example:

COM+012345678912:TE'

Group: **SG3** Status: C Max. Occ.: 1 Seller

Segment: **NAD** Seq. No.: 8 Level: 1 Name and address
 Status: M Max. Occ.: 1
 Counter: 0130

Name: Name and address

UN/EDIFACT		Implementation		
	Name	St Format	St Format	Use / Remarks
NAD				
3035	Party function code qualifier	M an..3	M an..3	SE Seller
C082	Party identification details	C	R	
3039	Party identifier	M an..35	M an..35	
1131	Code list identification code	C an..17	N	not used
3055	Code list responsible agency code	C an..3	R an..3	92 Assigned by buyer or buyer's agent
C058	Name and address	C	N	not used
3124	Name and address description	M an..35	N	not used
C080	Party name	C	C	
3036	Party name	M an..35	M an..35	
3036	Party name	C an..35	C an..35	
C059	Street	C	C	
3042	Street and number or post office box identifier	M an..35	M an..35	
3042	Street and number or post office box identifier	C an..35	C an..35	
3164	City name	C an..35	C an..35	
C819	Country subdivision details	C	C	
3229	Country subdivision identifier	C an..9	C an..9	
3251	Postal identification code	C an..17	C an..17	
3207	Country identifier	C an..3	C an..3	

Remark:

Example:

NAD+SE+633000:::92++SELLER CORPORATION+STREET+CITY++2630+DK'

Group: **SG3** Status: C Max. Occ.: 1 Seller

Segment: **CTA** Seq. No.: 9 Level: 2 **Contact information**
 Status: C Max. Occ.: 1
 Counter: 0140

Name: Contact information

UN/EDIFACT			Implementation	
	Name	St Format	St Format	Use / Remarks
CTA				
3139	Contact function code	C an..3	C an..3	IC Information contact
C056	Contact details	C	C	
3413	Contact identifier	C an..17	N	not used
3412	Contact name	C an..256	C an..256	

Remark:

Example:

CTA+IC+: JOHN JOHNSON '

Group: **SG3** Status: C Max. Occ.: 1 Seller

Segment: **COM** Seq. No.: 10 Level: 2 **Communication contact**
 Status: C Max. Occ.: 2
 Counter: 0150

Name: **Communication contact**

UN/EDIFACT			Implementation		
	Name	St Format	St Format	Use / Remarks	
COM					
C076	Communication contact	M	M		
3148	Communication address identifier	M an..512	M an..512		
3155	Communication means type code	M an..3	M an..3	TE EM	Telephone Electronic mail

Remark:

Example:

COM+012987665432:TE'

Group: **SG3** Status: C Max. Occ.: 1 Ship From

Segment: **NAD** Seq. No.: 11 Level: 1 Name and address
 Status: M Max. Occ.: 1
 Counter: 0130

Name: Name and address

UN/EDIFACT		Implementation		
Name	St Format	St Format	Use / Remarks	
NAD				
3035	Party function code qualifier	M an..3	M an..3	SF Ship from
C082	Party identification details	C	R	
3039	Party identifier	M an..35	M an..35	
1131	Code list identification code	C an..17	N	not used
3055	Code list responsible agency code	C an..3	R an..3	92 Assigned by buyer or buyer's agent
C058	Name and address	C	N	not used
3124	Name and address description	M an..35	N	not used
C080	Party name	C	C	
3036	Party name	M an..35	M an..35	
3036	Party name	C an..35	C an..35	
C059	Street	C	C	
3042	Street and number or post office box identifier	M an..35	M an..35	
3042	Street and number or post office box identifier	C an..35	C an..35	
3164	City name	C an..35	C an..35	
C819	Country subdivision details	C	C	
3229	Country subdivision identifier	C an..9	C an..9	
3251	Postal identification code	C an..17	C an..17	
3207	Country identifier	C an..3	C an..3	

Remark:

Example:

NAD+SF+634000::92++SHIP FROM CORPORATION+STREET+CITY++2640+DK'

Group: **SG3** Status: C Max. Occ.: 1 Ship From

Segment: **CTA** Seq. No.: 12 Level: 2 **Contact information**
 Status: C Max. Occ.: 1
 Counter: 0140

Name: **Contact information**

UN/EDIFACT			Implementation	
	Name	St Format	St Format	Use / Remarks
CTA				
3139	Contact function code	C an..3	C an..3	IC Information contact
C056	Contact details	C	C	
3413	Contact identifier	C an..17	N	not used
3412	Contact name	C an..256	C an..256	

Remark:

Example:

CTA+IC+:JOE JOHNSON'

Group: **SG3** Status: C Max. Occ.: 1 Ship From

Segment: **COM** Seq. No.: 13 Level: 2 **Communication contact**
 Status: C Max. Occ.: 2
 Counter: 0150

Name: **Communication contact**

UN/EDIFACT			Implementation		
	Name	St Format	St Format	Use / Remarks	
COM					
C076	Communication contact	M	M		
3148	Communication address identifier	M an..512	M an..512		
3155	Communication means type code	M an..3	M an..3	TE EM	Telephone Electronic mail

Remark:

Example:

COM+012987665438:TE'

Group: **SG3** Status: C Max. Occ.: 1 Ship To

Segment: **NAD** Seq. No.: 14 Level: 1 Name and address
 Status: M Max. Occ.: 1
 Counter: 0130

Name: Name and address

UN/EDIFACT		Implementation		
Name	St Format	St Format	Use / Remarks	
NAD				
3035	Party function code qualifier	M an..3	M an..3	ST Ship to
C082	Party identification details	C	R	
3039	Party identifier	M an..35	M an..35	
1131	Code list identification code	C an..17	N	not used
3055	Code list responsible agency code	C an..3	R an..3	92 Assigned by buyer or buyer's agent
C058	Name and address	C	N	not used
3124	Name and address description	M an..35	N	not used
C080	Party name	C	C	
3036	Party name	M an..35	M an..35	
3036	Party name	C an..35	C an..35	
C059	Street	C	C	
3042	Street and number or post office box identifier	M an..35	M an..35	
3042	Street and number or post office box identifier	C an..35	C an..35	
3164	City name	C an..35	C an..35	
C819	Country subdivision details	C	C	
3229	Country subdivision identifier	C an..9	C an..9	
3251	Postal identification code	C an..17	C an..17	
3207	Country identifier	C an..3	C an..3	

Remark:

Example:

NAD+ST+DK444::92++SK LASTBIL A/S+STREET+CITY++POST CODE+DK'

Group: **SG3** Status: C Max. Occ.: 1 Ship To

Segment: **CTA** Seq. No.: 15 Level: 2 **Contact information**
 Status: C Max. Occ.: 1
 Counter: 0140

Name: Contact information

UN/EDIFACT			Implementation	
	Name	St Format	St Format	Use / Remarks
CTA				
3139	Contact function code	C an..3	C an..3	IC Information contact
C056	Contact details	C	C	
3413	Contact identifier	C an..17	N	not used
3412	Contact name	C an..256	C an..256	

Remark:

Example:

CTA+IC+:JOE JOHNSON'

Group: **SG3** Status: C Max. Occ.: 1 Ship To

Segment: **COM** Seq. No.: 16 Level: 2 **Communication contact**
 Status: C Max. Occ.: 2
 Counter: 0150

Name: **Communication contact**

UN/EDIFACT			Implementation		
	Name	St Format	St Format	Use / Remarks	
COM					
C076	Communication contact	M	M		
3148	Communication address identifier	M an..512	M an..512		
3155	Communication means type code	M an..3	M an..3	TE	Telephone
				EM	Electronic mail

Remark:

Example:

COM+012987666523:TE'

Group: **SG4** Status: R Max. Occ.: 10 ERC-FTX-SG5

Segment: **ERC** Seq. No.: 17 Level: 1 Application error information
 Status: M Max. Occ.: 1
 Counter: 0170

Name: Application error information

UN/EDIFACT		Implementation		
Name	St Format	St Format	Use / Remarks	
ERC				
C901	Application error detail	M	M	
9321	Application error code	M an..8	M an..8	008 Out of Range 009 Invalid Date 010 Total Out of Balance 011 Not Matching 012 Invalid Combination 024 Other Unlisted Reason 026 Customer Identification Number is Invalid 029 Customer Identification Number Is Missing 810 Effective Payment Date is Past C Missing or Invalid Consignee CUR Invalid Currency Code DUP Duplicate Transaction H Missing or Invalid Unit of Measure Code IID Invalid Identification Code IQT Invalid Quantity MB Missing or Invalid Purchase Order Number MC Missing or Invalid Bill of Lading Number MD Missing or Invalid Invoice Date MF Missing or Invalid Internal Vendor Number MH Missing or Invalid DUNS Number MI Missing or Invalid SCAC MID Missing Identification Code MP Missing or Invalid Non-merchandise Code MQ Missing or Invalid Non-merchandise Cost NAU Not Authorized POI Purchase Order Number Invalid Q Missing or Invalid Item Identification UNP Invalid Unit Price
1131	Code list identification code	C an..17	N	not used
3055	Code list responsible agency code	C an..3	C an..3	92 Assigned by buyer or buyer's agent

Remark:

Example:

ERC+CUR '

Group: **SG4** Status: R Max. Occ.: 10 ERC-FTX-SG5

Segment: **FTX** Seq. No.: 18 Level: 2 **Free text**
 Status: C Max. Occ.: 1
 Counter: 0180

Name: **Free text**

UN/EDIFACT			Implementation	
	Name	St Format	St Format	Use / Remarks
FTX				
4451	Text subject code qualifier	M an..3	M an..3	AAO Error description (free text)
4453	Free text function code	C an..3	N	not used
C107	Text reference	C	N	not used
4441	Free text description code	M an..17	N	not used
C108	Text literal	C	R	
4440	Free text	M an..512	M an..60	Free-form text description of rejection

Remark:

Example:

FTX+AAO+++INCORRECT CURRENCY CODE'

Group: **SG4** Status: R Max. Occ.: 10 ERC-FTX-SG5

Group: **SG5** Status: C Max. Occ.: 1 RFF

Segment: **RFF** Seq. No.: 19 Level: 2 **Reference**
 Status: M Max. Occ.: 1
 Counter: 0200

Name: Reference

UN/EDIFACT			Implementation	
	Name	St Format	St Format	Use / Remarks
RFF				
C506	Reference	M	M	
1153	Reference code qualifier	M an..3	M an..3	AQD Data structure tag
1154	Reference identifier	C an..70	C an..70	This is the value of the data element in error.
1156	Document line identifier	C an..6	N	not used
1056	Version identifier	C an..9	N	not used

Remark:

Example:

RFF+AQD:DATA ELEMENT IN ERROR'

Segment:

UNT

Seq. No.: 20 Level: 0
 Status: M Max. Occ.: 1
 Counter: 0220

Message trailer

Name: Message trailer

UN/EDIFACT			Implementation	
	Name	St Format	St Format	Use / Remarks
UNT				
0074	Number of segments in a message	M n..10	M n..10	
0062	Message reference number	M an..14	M an..14	

Remark:

Example:

UNT+14+968574'