



Message Specification

## **VOLVO GLOBAL ORDRSP D05B**

Based on:

**ORDRSP**

Purchase order response message

**UN D.05B S3**

Version: 1  
Variant: 0  
Issue date: 2018-10-02  
Author: Volvo Group IT

---

## Message Structure

Counter	No	Tag	St	MaxOcc	Level	Content
0010	1	UNH	M	1	0	Message header
0020	2	BGM	M	1	0	Beginning of message
0030	3	DTM	R	1	1	Date/time/period
0070	4	FTX	D	3	1	Free text
0070	5	FTX	D	1	1	Free text
0090		SG1	D	99	1	Original purchase order
0100	6	RFF	M	1	1	Reference
0090		SG1	D	99	1	Customer reference number
0100	7	RFF	M	1	1	Reference
0090		SG1	D	99	1	Customer specification number
0100	8	RFF	M	1	1	Reference
0090		SG1	D	99	1	Promotion deal number
0100	9	RFF	M	1	1	Reference
0120		SG2	D	1	1	AJT-FTX
0130	10	AJT	M	1	1	Adjustment details
0140	11	FTX	D	1	2	Free text
0150		SG3	R	1	1	Buyer
0160	12	NAD	M	1	1	Name and address
0190		SG4	D	1	2	VAT registration number
0200	13	RFF	M	1	2	Reference
0250		SG6	O	3	2	Information contact
0260	14	CTA	M	1	2	Contact information
0270	15	COM	O	3	3	Communication contact
0150		SG3	D	1	1	Invoicee
0160	16	NAD	M	1	1	Name and address
0190		SG4	D	1	2	VAT registration number
0200	17	RFF	M	1	2	Reference
0150		SG3	R	1	1	Seller
0160	18	NAD	M	1	1	Name and address
0190		SG4	D	1	2	VAT registration number
0200	19	RFF	M	1	2	Reference
0250		SG6	O	3	2	Information contact
0260	20	CTA	M	1	2	Contact information
0270	21	COM	O	3	3	Communication contact
0150		SG3	D	1	1	Transport consolidation center
0160	22	NAD	M	1	1	Name and address
0150		SG3	R	1	1	Ship to
0160	23	NAD	M	1	1	Name and address

Counter = Counter of segment/group within the standard  
 No = Consecutive segment number  
 MaxOcc = Maximum occurrence of the segment/group

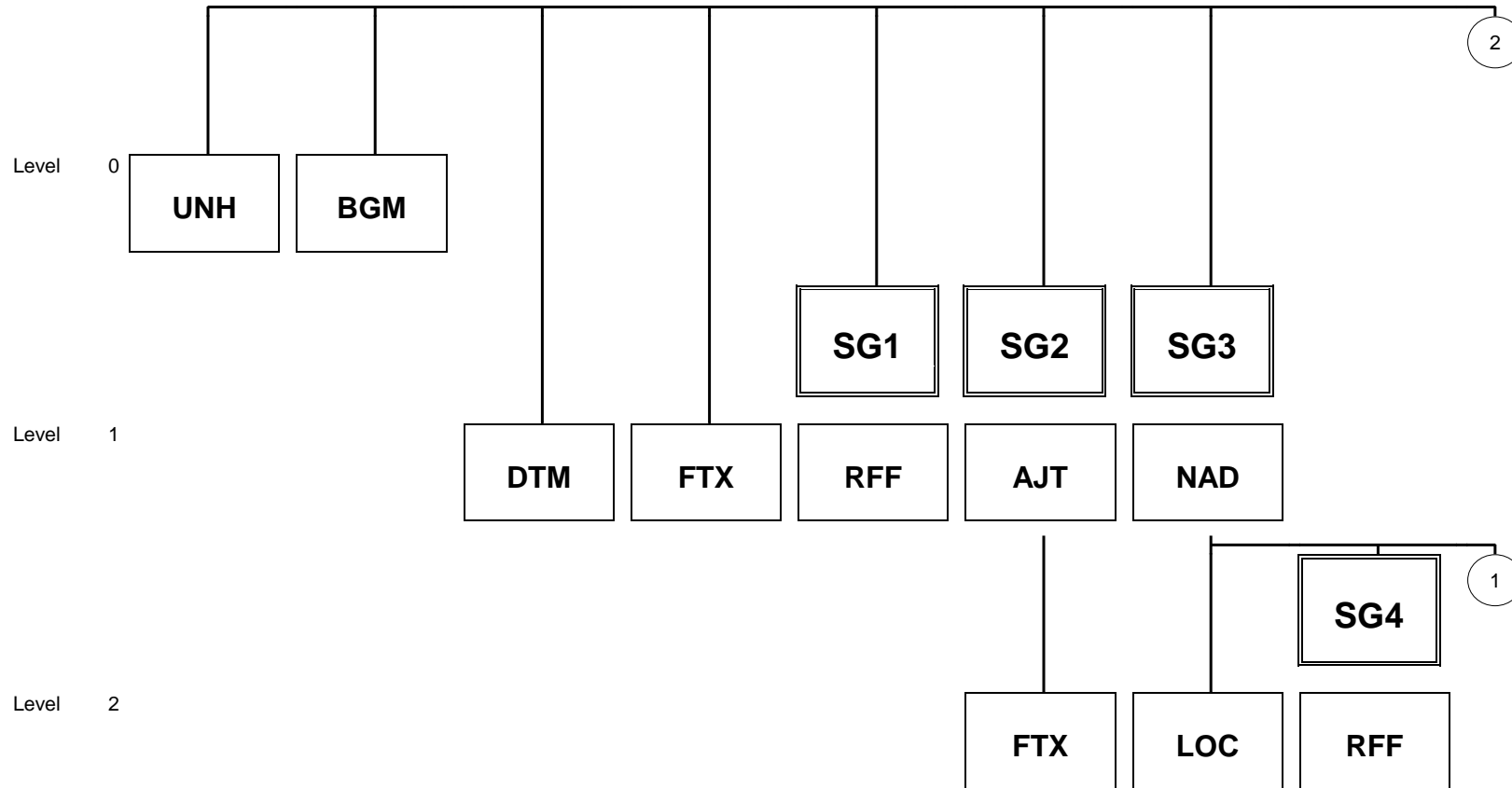
St = Status  
 EDIFACT: M=Mandatory, C=Conditional  
 User specific: R=Required, O=Optional, D=Dependent,  
 A=Advised, N=Not used

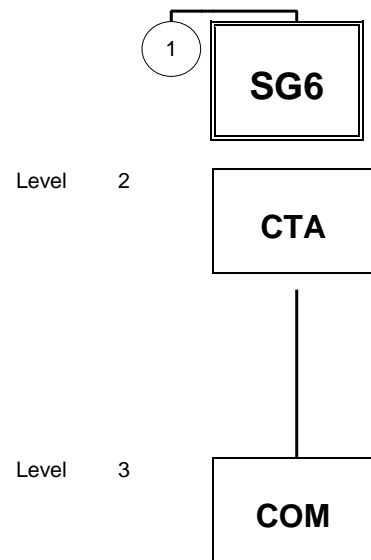
Counter	No	Tag	St	MaxOcc	Level	Content
0170	24	LOC	D	1	2	Place/port of discharge
0150		SG3	D	1	1	Ultimate Customer
0160	25	NAD	M	1	1	Name and address
0320		SG8	D	1	1	Order currency
0330	26	CUX	M	1	1	Currencies
0460		SG12	D	1	1	Terms of delivery or transport
0470	27	TOD	M	1	1	Terms of delivery or transport
0480	28	LOC	D	1	2	Place/location identification
0970		SG26	D	999	1	Article
0980	29	LIN	M	1	1	Line item
0990	30	PIA	D	1	2	Additional product id
0990	31	PIA	D	1	2	Additional product id
1000	32	IMD	D	1	2	Item description
1020	33	QTY	D	1	2	Ordered quantity
1020	34	QTY	D	1	2	Total delivery quantity
1020	35	QTY	D	1	2	Backorder quantity
1020	36	QTY	D	1	2	Changed quantity
1020	37	QTY	D	1	2	Substituted quantity
1050	38	DTM	D	1	2	Date/time/period
1050	39	DTM	D	1	2	Date/time/period
1140	40	FTX	D	3	2	Free text
1140	41	FTX	D	10	2	Free text
1240		SG29	D	1	2	AJT-FTX
1250	42	AJT	M	1	2	Adjustment details
1260	43	FTX	D	1	3	Free text
1270		SG30	D	2	2	Item Price
1280	44	PRI	M	1	2	Price details
1330		SG31	D	1	2	RFF
1340	45	RFF	M	1	2	Reference
2030		SG51	D	100	2	Scheduling details
2040	46	SCC	M	1	2	Scheduling conditions
2070		SG52	R	1	3	QTY-DTM
2080	47	QTY	M	1	3	Quantity
2090	48	DTM	R	1	4	Date/time/period
2200	49	UNS	M	1	0	Section control
2270	50	UNT	M	1	0	Message trailer

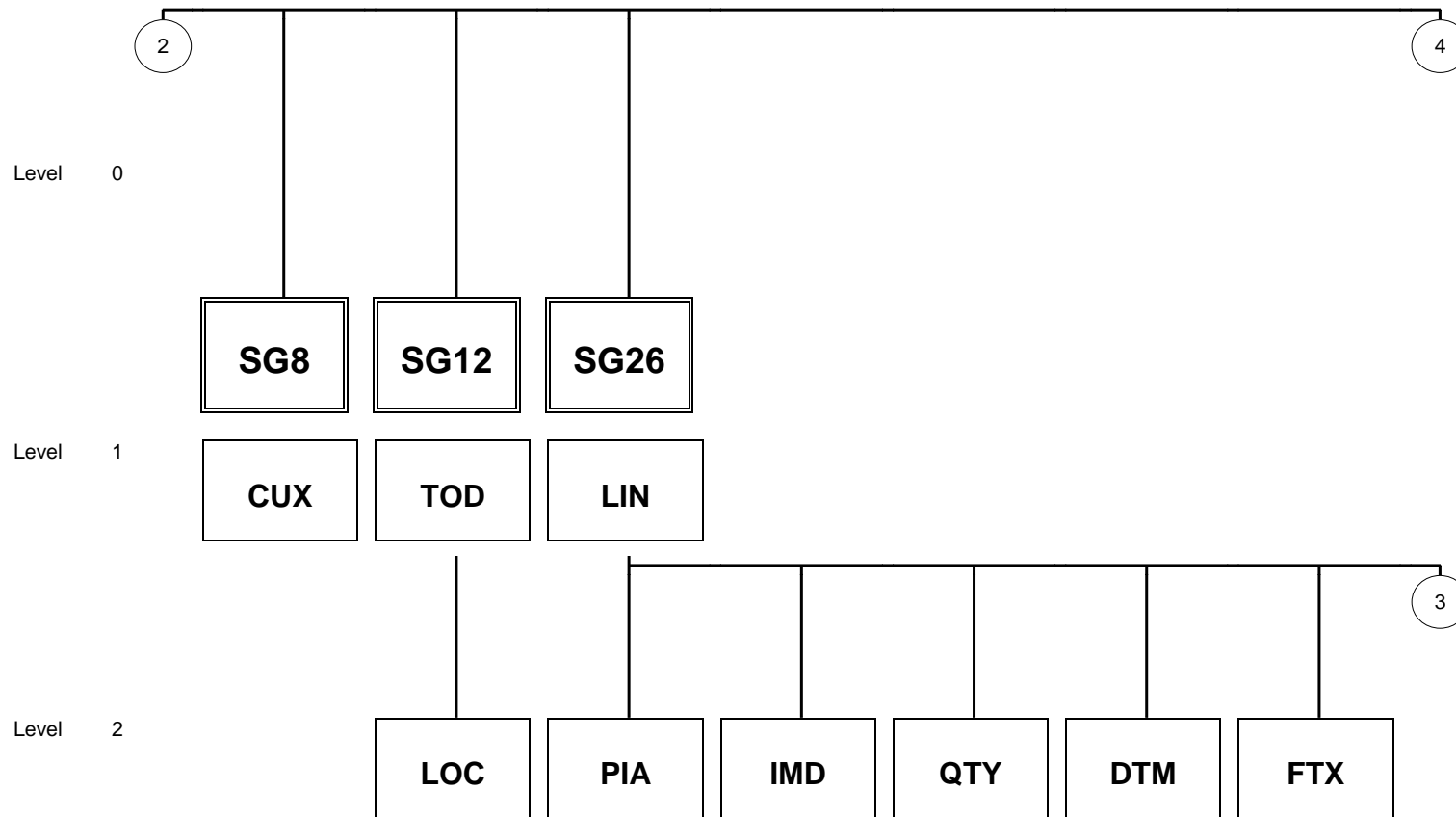
Counter = Counter of segment/group within the standard  
 No = Consecutive segment number  
 MaxOcc = Maximum occurrence of the segment/group

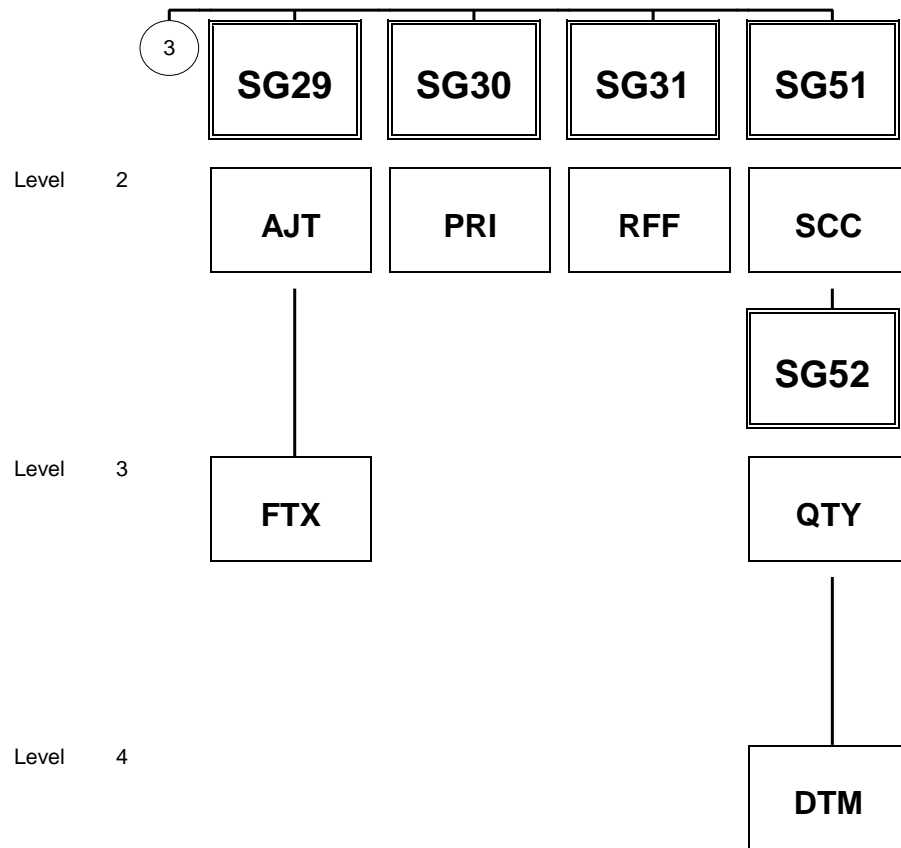
St = Status  
 EDIFACT: M=Mandatory, C=Conditional  
 User specific: R=Required, O=Optional, D=Dependent,  
 A=Advised, N=Not used

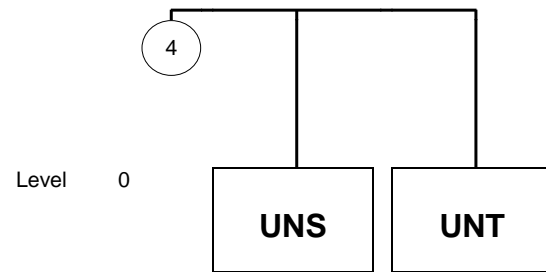
**Branching Diagram of Used Segments/Groups**













Segment:

**UNH**Seq. No.: 1 Level: 0  
Status: M Max. Occ.: 1  
Counter: 0010

Message header

Name: Message header

UN/EDIFACT			Implementation	
	Name	St Format	St Format	Use / Remarks
UNH				
0062	Message reference number	M an..14	M an..14	
S009	Message identifier	M	M	
0065	Message type	M an..6	M an..6	<b>ORDRSP Purchase order response message</b>
0052	Message version number	M an..3	M an..3	<b>D Draft version/UN/EDIFACT Directory</b>
0054	Message release number	M an..3	M an..3	<b>05B Release 2005 - B</b>
0051	Controlling agency	M an..2	M an..2	<b>UN UN/ECE/TRADE/WP.4</b>
0057	Association assigned code	C an..6	N	not used
0068	Common access reference	C an..35	N	not used
S010	Status of the transfer	C	N	not used
0070	Sequence of transfers	M n..2	N	not used
0073	First and last transfer	C a1	N	not used

Remark:

Example:

UNH+654321+ORDRSP:D:05B:UN'

Segment:

**BGM**Seq. No.: 2 Level: 0  
Status: M Max. Occ.: 1  
Counter: 0020

Beginning of message

Name: Beginning of message

UN/EDIFACT			Implementation	
	Name	St Format	St Format	Use / Remarks
BGM				
C002	Document/message name	C	R	
1001	Document name code	C an..3	R an..3	<b>231 Purchase order response</b>
1131	Code list identification code	C an..17	N	not used
3055	Code list responsible agency code	C an..3	N	not used
1000	Document name	C an..35	N	not used
C106	Document/message identification	C	R	
1004	Document identifier	C an..35	R an..22	Order Number
1225	Message function code	C an..3	R an..2	Document Function Coded <b>27 Not accepted</b> <b>29 Accepted without amendment</b> <b>30 Accepted, with amendment in detail section</b>
4343	Response type code	C an..3	N	not used

Remark:

Example:

BGM+231+5372D-45962+29'

Segment:

**DTM**

Seq. No.: 3 Level: 1  
 Status: R Max. Occ.: 1  
 Counter: 0030

Date/time/period

Name: Date/time/period

UN/EDIFACT			Implementation	
	Name	St Format	St Format	Use / Remarks
DTM				
C507	Date/time/period	M	M	
2005	Date or time or period function code qualifier	M an..3	M an..3	<b>137</b> Document/message date/time
2380	Date or time or period text	C an..35	R an..14	Document Date
2379	Date or time or period format code	C an..3	R an..3	<b>102</b> CCYYMMDD <b>203</b> CCYYMMDDHHMM

Remark:

Example:

DTM+137:20160519:102'

Segment:

**FTX**Seq. No.: 4 Level: 1  
Status: D Max. Occ.: 3  
Counter: 0070

Free text

Name: Free text

UN/EDIFACT			Implementation		
	Name	St Format	St Format	Use / Remarks	
FTX					
4451	Text subject code qualifier	M an..3	M an..3	<b>AAJ</b> <b>ACB</b> <b>PUR</b>	<b>Additional conditions of sale/purchase</b> <b>Additional information</b> <b>Purchasing information</b>
4453	Free text function code	C an..3	N	not used	
C107	Text reference	C	N	not used	
4441	Free text description code	M an..17	N	not used	
1131	Code list identification code	C an..17	N	not used	
3055	Code list responsible agency code	C an..3	N	not used	
C108	Text literal	C	R		
4440	Free text	M an..512	M an..80	Document Free Text	
3453	Language name code	C an..3	N	not used	
4447	Free text format code	C an..3	N	not used	

**Remark:**

Used according to agreement between concerned parties.

To provide free form or coded text information. In general free text should be avoided where possible since this will inhibit automatic processing.

**Example:**

FTX+ACB+++ADDITIONAL INFORMATION'

Segment:

**FTX**

Seq. No.: 5 Level: 1  
 Status: D Max. Occ.: 1  
 Counter: 0070

Free text

Name: Free text

UN/EDIFACT			Implementation	
	Name	St Format	St Format	Use / Remarks
FTX				
4451	Text subject code qualifier	M an..3	M an..3	<b>DEL Delivery information</b>
4453	Free text function code	C an..3	N	not used
C107	Text reference	C	N	not used
4441	Free text description code	M an..17	N	not used
C108	Text literal	C	R	
4440	Free text	M an..512	M an..35	Free-form description of the routing or requested routing for shipment, or the originating carrier's identity

**Remark:**

Used according to agreement between concerned parties.

**Example:**

FTX+DEL+++UPS OVERNIGHT'

**Group:** **SG1** Status: D Max. Occ.: 99 Original purchase order  
 Used according to agreement between concerned parties.

**Segment:** **RFF** Seq. No.: 6 Level: 1 **Reference**  
 Status: M Max. Occ.: 1  
 Counter: 0100

**Name:** Reference

UN/EDIFACT		Implementation		
	Name	St Format	St Format	Use / Remarks
RFF				
C506	Reference	M	M	
1153	Reference code qualifier	M an..3	M an..2	<b>OP</b> <b>Original purchase order</b> E.g. Dealer purchase order number
1154	Reference identifier	C an..70	R an..50	
1156	Document line identifier	C an..6	N	not used
4000	Reference version identifier	C an..35	N	not used
1060	Revision identifier	C an..6	N	not used

**Remark:**

**Example:**

RFF+OP:OP08058'

**Group:** **SG1** Status: D Max. Occ.: 99 Customer reference number  
 Used according to agreement between concerned parties.

**Segment:** **RFF** Seq. No.: 7 Level: 1 **Reference**  
 Status: M Max. Occ.: 1  
 Counter: 0100

**Name:** Reference

UN/EDIFACT			Implementation	
	Name	St Format	St Format	Use / Remarks
RFF				
C506	Reference	M	M	
1153	Reference code qualifier	M an..3	M an..2	<b>CR Customer reference number</b>
1154	Reference identifier	C an..70	R an..50	Customer reference number
1156	Document line identifier	C an..6	N	not used
4000	Reference version identifier	C an..35	N	not used
1060	Revision identifier	C an..6	N	not used

**Remark:**

**Example:**

RFF+CR:1011176105'

**Group:** **SG1** Status: D Max. Occ.: 99 Customer specification number  
 Used according to agreement between concerned parties.

**Segment:** **RFF** Seq. No.: 8 Level: 1 **Reference**  
 Status: M Max. Occ.: 1  
 Counter: 0100

**Name:** Reference

UN/EDIFACT			Implementation	
	Name	St Format	St Format	Use / Remarks
RFF				
C506	Reference	M	M	
1153	Reference code qualifier	M an..3	M an..3	<b>AEG</b> Customer specification number
1154	Reference identifier	C an..70	R an..50	
1156	Document line identifier	C an..6	N	not used

**Remark:**

**Example:**

RFF+AEG:VP\_\_123456'



**Group:** **SG1** Status: D Max. Occ.: 99 Promotion deal number  
 Used according to agreement between concerned parties.

**Segment:** **RFF** Seq. No.: 9 Level: 1 **Reference**  
 Status: M Max. Occ.: 1  
 Counter: 0100

**Name:** Reference

UN/EDIFACT			Implementation	
	Name	St Format	St Format	Use / Remarks
RFF				
C506	Reference	M	M	
1153	Reference code qualifier	M an..3	M an..2	<b>PD</b> <b>Promotion deal number</b>
1154	Reference identifier	C an..70	R an..50	

**Remark:**

**Example:**

RFF+PD:025'

**Group:** **SG2** Status: D Max. Occ.: 1 AJT-FTX

Used according to agreement between concerned parties.

**Segment:** **AJT** Seq. No.: 10 Level: 1 **Adjustment details**  
 Status: M Max. Occ.: 1  
 Counter: 0130

**Name:** Adjustment details

UN/EDIFACT			Implementation			
	Name	St Format	St Format	Use / Remarks		
AJT	Adjustment reason description code	M an..3	M an..2	<b>28</b>	<b>See separate advice</b>	
4465				<b>32</b>		<b>Goods not delivered</b>
				<b>51</b>		

**Remark:**

**Example:**

AJT+28'

**Group:** **SG2** Status: D Max. Occ.: 1 AJT-FTX  
 Used according to agreement between concerned parties.

**Segment:** **FTX** Seq. No.: 11 Level: 2 **Free text**  
 Status: D Max. Occ.: 1  
 Counter: 0140

**Name:** Free text

UN/EDIFACT			Implementation	
	Name	St Format	St Format	Use / Remarks
FTX				
4451	Text subject code qualifier	M an..3	M an..3	<b>AAO Error description (free text)</b>
4453	Free text function code	C an..3	N	not used
C107	Text reference	C	N	not used
4441	Free text description code	M an..17	N	not used
C108	Text literal	C	R	
4440	Free text	M an..512	M an..512	
4440	Free text	C an..512	D an..512	

**Remark:**  
 This segment can be used in conjunction with any of the applicable qualifiers in the leading AJT segment.

**Example:**  
 FTX+AAO+++INCOMPLETE ADDRESS FOR ULTIMATE CONSIGNEE '

Group: **SG3** Status: R Max. Occ.: 1 Buyer

Segment: **NAD** Seq. No.: 12 Level: 1 Name and address  
 Status: M Max. Occ.: 1  
 Counter: 0160

Name: Name and address

UN/EDIFACT		Implementation		
Name	St Format	St Format	Use / Remarks	
NAD				
3035	Party function code qualifier	M an..3	M an..2	<b>BY Buyer</b>
C082	Party identification details	C	R	
3039	Party identifier	M an..35	M an..35	Buyer's Identification Number
1131	Code list identification code	C an..17	N	not used
3055	Code list responsible agency code	C an..3	R an..2	<b>92 Assigned by buyer or buyer's agent</b>
C058	Name and address	C	N	not used
3124	Name and address description	M an..35	N	not used
3124	Name and address description	C an..35	N	not used
3124	Name and address description	C an..35	N	not used
3124	Name and address description	C an..35	N	not used
3124	Name and address description	C an..35	N	not used
C080	Party name	C	R	
3036	Party name	M an..35	M an..35	Buyer's Name
3036	Party name	C an..35	D an..25	
3036	Party name	C an..35	N	not used
3036	Party name	C an..35	N	not used
3036	Party name	C an..35	N	not used
3045	Party name format code	C an..3	N	not used
C059	Street	C	O	
3042	Street and number or post office box identifier	M an..35	M an..35	Buyer's Street or PO Box
3042	Street and number or post office box identifier	C an..35	D an..20	
3042	Street and number or post office box identifier	C an..35	N	not used
3042	Street and number or post office box identifier	C an..35	N	not used
3164	City name	C an..35	R an..30	Buyer's City
C819	Country sub-entity details	C	O	
3229	Country sub-entity name code	C an..9	R an..2	
3251	Postal identification code	C an..17	R an..15	Buyer's Post code
3207	Country name code	C an..3	R an..2	Buyer's Country Code (ISO 3166)

**Remark:**

NAD+BY tells who the buyer is.  
 Buyer can also be the Ship to party. If this is the case NAD+BY and NAD+ST contains same information.  
 Buyer can also be the party to invoice. If this is the case NAD+IV can be excluded from the message.

**Example:**

NAD+BY+1001::92++VOLVO TRUCK CORPORATION AB++GOTHENBURG++40508+SE'

**Group:** **SG3** Status: R Max. Occ.: 1 Buyer

**Group:** **SG4** Status: D Max. Occ.: 1 VAT registration number

Used according to agreement between concerned parties.

**Segment:** **RFF** Seq. No.: 13 Level: 2 **Reference**  
 Status: M Max. Occ.: 1  
 Counter: 0200

**Name:** Reference

UN/EDIFACT			Implementation	
	Name	St Format	St Format	Use / Remarks
RFF				
C506	Reference	M	M	
1153	Reference code qualifier	M an..3	M an..2	<b>VA VAT registration number</b>
1154	Reference identifier	C an..70	R an..17	Buyer's VAT Registration Number
1156	Document line identifier	C an..6	N	not used
4000	Reference version identifier	C an..35	N	not used

**Remark:**

**Example:**

RFF+VA:SE556013970001'

**Group:** **SG3** Status: R Max. Occ.: 1 Buyer  
**Group:** **SG6** Status: O Max. Occ.: 3 Information contact  
**Segment:** **CTA** Seq. No.: 14 Level: 2 **Contact information**  
 Status: M Max. Occ.: 1  
 Counter: 0260

**Name:** Contact information

UN/EDIFACT			Implementation	
	Name	St Format	St Format	Use / Remarks
CTA				
3139	Contact function code	C an..3	R an..2	<b>IC Information contact</b>
C056	Department or employee details	C	R	
3413	Department or employee name code	C an..17	N	not used
3412	Department or employee name	C an..35	R an..35	Buyer's Information Contact Department Or Employee

**Remark:**

**Example:**

CTA+IC+:JOE SMITH'

**Group:** **SG3** Status: R Max. Occ.: 1 Buyer  
**Group:** **SG6** Status: O Max. Occ.: 3 Information contact  
**Segment:** **COM** Seq. No.: 15 Level: 3 **Communication contact**  
 Status: O Max. Occ.: 3  
 Counter: 0270

**Name:** Communication contact

UN/EDIFACT			Implementation		
	Name	St Format	St Format	Use / Remarks	
COM					
C076	Communication contact	M	M		
3148	Communication address identifier	M an..512	M an..70	Buyer's Information Contact E-Mail Address Or Fax Number Or Telephone Number	
3155	Communication address code qualifier	M an..3	M an..2	<b>EM</b> <b>FX</b> <b>TE</b>	<b>Electronic mail</b> <b>Telefax</b> <b>Telephone</b>

**Remark:**

**Example:**

COM+012345678912:TE'

**Group:** **SG3** Status: D Max. Occ.: 1 Invoicee

Used according to agreement between concerned parties.

**Segment:** **NAD** Seq. No.: 16 Level: 1 **Name and address**  
 Status: M Max. Occ.: 1  
 Counter: 0160

**Name:** **Name and address**

UN/EDIFACT			Implementation	
	Name	St Format	St Format	Use / Remarks
NAD				
3035	Party function code qualifier	M an..3	M an..2	<b>IV Invoicee</b>
C082	Party identification details	C	R	
3039	Party identifier	M an..35	M an..35	Invoicee's Identification Number
1131	Code list identification code	C an..17	N	not used
3055	Code list responsible agency code	C an..3	R an..2	
C058	Name and address	C	N	not used
3124	Name and address description	M an..35	N	not used
3124	Name and address description	C an..35	N	not used
3124	Name and address description	C an..35	N	not used
3124	Name and address description	C an..35	N	not used
3124	Name and address description	C an..35	N	not used
C080	Party name	C	R	
3036	Party name	M an..35	M an..35	Invoicee's Name
3036	Party name	C an..35	D an..25	
3036	Party name	C an..35	N	not used
3036	Party name	C an..35	N	not used
3036	Party name	C an..35	N	not used
3045	Party name format code	C an..3	N	not used
C059	Street	C	O	
3042	Street and number or post office box identifier	M an..35	M an..35	Invoicee's Street or PO Box
3042	Street and number or post office box identifier	C an..35	D an..20	
3042	Street and number or post office box identifier	C an..35	N	not used
3042	Street and number or post office box identifier	C an..35	N	not used
3164	City name	C an..35	R an..30	Invoicee's City
C819	Country sub-entity details	C	O	
3229	Country sub-entity name code	C an..9	R an..2	
3251	Postal identification code	C an..17	R an..15	Invoicee's Post code
3207	Country name code	C an..3	R an..2	Invoicee's Country Code (ISO 3166)

**Remark:**

NAD+IV tells where to send the invoice.

**Example:**

NAD+IV+296246:::92++VOLVO TRUCK CORPORATION, DENMARK+TAASTRUPGAARDSVEJ  
 32+TAASTRUP++2630+DK'



**Group:** **SG3** Status: D Max. Occ.: 1 Invoicee

**Group:** **SG4** Status: D Max. Occ.: 1 VAT registration number

Used according to agreement between concerned parties.

**Segment:** **RFF** Seq. No.: 17 Level: 2 **Reference**  
 Status: M Max. Occ.: 1  
 Counter: 0200

**Name:** Reference

UN/EDIFACT			Implementation	
	Name	St Format	St Format	Use / Remarks
RFF				
C506	Reference	M	M	
1153	Reference code qualifier	M an..3	M an..2	<b>VA VAT registration number</b>
1154	Reference identifier	C an..70	C an..17	Invoicee's VAT Registration Number

**Remark:**

**Example:**

RFF+VA:DK26178509'

Group: **SG3** Status: R Max. Occ.: 1 Seller

Segment: **NAD** Seq. No.: 18 Level: 1 Name and address  
 Status: M Max. Occ.: 1  
 Counter: 0160

Name: Name and address

UN/EDIFACT		Implementation		
Name	St Format	St Format	Use / Remarks	
NAD				
3035	Party function code qualifier	M an..3	M an..2	<b>SE Seller</b>
C082	Party identification details	C	R	
3039	Party identifier	M an..35	M an..35	Seller's Identification Number
1131	Code list identification code	C an..17	N	not used
3055	Code list responsible agency code	C an..3	R an..2	<b>92 Assigned by buyer or buyer's agent</b>
C058	Name and address	C	N	not used
3124	Name and address description	M an..35	N	not used
3124	Name and address description	C an..35	N	not used
3124	Name and address description	C an..35	N	not used
3124	Name and address description	C an..35	N	not used
3124	Name and address description	C an..35	N	not used
C080	Party name	C	R	
3036	Party name	M an..35	M an..35	Seller's Name
3036	Party name	C an..35	D an..25	
3036	Party name	C an..35	N	not used
3036	Party name	C an..35	N	not used
3036	Party name	C an..35	N	not used
3045	Party name format code	C an..3	N	not used
C059	Street	C	O	
3042	Street and number or post office box identifier	M an..35	M an..35	Seller's Street or PO Box
3042	Street and number or post office box identifier	C an..35	D an..20	
3042	Street and number or post office box identifier	C an..35	N	not used
3042	Street and number or post office box identifier	C an..35	N	not used
3164	City name	C an..35	R an..30	Seller's City
C819	Country sub-entity details	C	O	
3229	Country sub-entity name code	C an..9	R an..2	
3251	Postal identification code	C an..17	R an..15	Seller's Post code
3207	Country name code	C an..3	R an..2	Seller's Country Code (ISO 3166)

**Remark:**

NAD+SE tells who the seller is.

**Example:**

NAD+SE+633000::92++SELLER CORPORATION+STREET+CITY++2630+DK'

**Group:** **SG3** Status: R Max. Occ.: 1 Seller

**Group:** **SG4** Status: D Max. Occ.: 1 VAT registration number

Used according to agreement between concerned parties.

**Segment:** **RFF** Seq. No.: 19 Level: 2 **Reference**  
 Status: M Max. Occ.: 1  
 Counter: 0200

**Name:** Reference

UN/EDIFACT			Implementation	
	Name	St Format	St Format	Use / Remarks
RFF				
C506	Reference	M	M	
1153	Reference code qualifier	M an..3	M an..2	<b>VA VAT registration number</b>
1154	Reference identifier	C an..70	R an..17	Seller's VAT Registration Number

**Remark:**

**Example:**

RFF+VA:DK26170000'

**Group:** **SG3** Status: R Max. Occ.: 1 Seller  
**Group:** **SG6** Status: O Max. Occ.: 3 Information contact  
**Segment:** **CTA** Seq. No.: 20 Level: 2 **Contact information**  
 Status: M Max. Occ.: 1  
 Counter: 0260

**Name:** Contact information

UN/EDIFACT			Implementation	
	Name	St Format	St Format	Use / Remarks
CTA				
3139	Contact function code	C an..3	R an..2	<b>IC Information contact</b>
C056	Department or employee details	C	R	
3413	Department or employee name code	C an..17	N	not used
3412	Department or employee name	C an..35	R an..35	Seller's Information Contact Department Or Employee

**Remark:**

**Example:**

CTA+IC+:JOHN JOHNSON'

**Group:** **SG3** Status: R Max. Occ.: 1 Seller  
**Group:** **SG6** Status: O Max. Occ.: 3 Information contact  
**Segment:** **COM** Seq. No.: 21 Level: 3 **Communication contact**  
 Status: O Max. Occ.: 3  
 Counter: 0270

**Name:** Communication contact

UN/EDIFACT			Implementation		
	Name	St Format	St Format	Use / Remarks	
COM					
C076	Communication contact	M	M		
3148	Communication address identifier	M an..512	M an..70	Seller's Information Contact E-Mail Address Or Fax Number Or Telephone Number	
3155	Communication address code qualifier	M an..3	M an..2	<b>EM</b> <b>FX</b> <b>TE</b>	<b>Electronic mail</b> <b>Telefax</b> <b>Telephone</b>

**Remark:**

**Example:**

COM+012987665432:TE'

**Group:** **SG3** Status: D Max. Occ.: 1 Transport consolidation center  
Used according to agreement between concerned parties.

**Segment:** **NAD** Seq. No.: 22 Level: 1 **Name and address**  
Status: M Max. Occ.: 1  
Counter: 0160

**Name:** **Name and address**

UN/EDIFACT			Implementation	
	Name	St Format	St Format	Use / Remarks
NAD				
3035	Party function code qualifier	M an..3	M an..2	<b>DP</b> <b>Delivery party</b>
C082	Party identification details	C	R	
3039	Party identifier	M an..35	M an..35	Grouping Center's Identification Number
1131	Code list identification code	C an..17	N	not used
3055	Code list responsible agency code	C an..3	R an..2	<b>92</b> <b>Assigned by buyer or buyer's agent</b>
C058	Name and address	C	N	not used
3124	Name and address description	M an..35	N	not used
3124	Name and address description	C an..35	N	not used
3124	Name and address description	C an..35	N	not used
3124	Name and address description	C an..35	N	not used
3124	Name and address description	C an..35	N	not used
C080	Party name	C	R	
3036	Party name	M an..35	M an..35	Grouping Center's Name
3036	Party name	C an..35	D an..25	
3036	Party name	C an..35	N	not used
3036	Party name	C an..35	N	not used
3036	Party name	C an..35	N	not used
3045	Party name format code	C an..3	N	not used
C059	Street	C	O	
3042	Street and number or post office box identifier	M an..35	M an..35	Grouping Center's Street or PO Box
3042	Street and number or post office box identifier	C an..35	D an..20	
3042	Street and number or post office box identifier	C an..35	N	not used
3042	Street and number or post office box identifier	C an..35	N	not used
3164	City name	C an..35	R an..30	Grouping Center's City
C819	Country sub-entity details	C	O	
3229	Country sub-entity name code	C an..9	R an..2	
1131	Code list identification code	C an..17	N	not used
3055	Code list responsible agency code	C an..3	N	not used
3228	Country sub-entity name	C an..70	N	not used
3251	Postal identification code	C an..17	R an..15	Grouping Center's Post code
3207	Country name code	C an..3	R an..2	Grouping Center's Country Code (ISO 3166)

**Remark:**

The Transport consolidation center is a logistics party who consolidates shipments to one Ship to party. The party is in charge of groupage, including degroupage and regroupage.

**Example:**

NAD+DP+123456789: :92++CONSOLIDATING COMPANY+STREET+CITY++POST CODE+SE'

Group: **SG3** Status: R Max. Occ.: 1 Ship to

Segment: **NAD** Seq. No.: 23 Level: 1 Name and address  
 Status: M Max. Occ.: 1  
 Counter: 0160

Name: Name and address

UN/EDIFACT		Implementation		
Name	St Format	St Format	Use / Remarks	
NAD				
3035	Party function code qualifier	M an..3	M an..2	<b>ST Ship to</b>
C082	Party identification details	C	R	
3039	Party identifier	M an..35	M an..35	Ship to's Identification Number
1131	Code list identification code	C an..17	N	not used
3055	Code list responsible agency code	C an..3	R an..2	
C058	Name and address	C	N	not used
3124	Name and address description	M an..35	N	not used
3124	Name and address description	C an..35	N	not used
3124	Name and address description	C an..35	N	not used
3124	Name and address description	C an..35	N	not used
3124	Name and address description	C an..35	N	not used
C080	Party name	C	R	
3036	Party name	M an..35	M an..35	Ship to's Name
3036	Party name	C an..35	D an..25	
3036	Party name	C an..35	N	not used
3036	Party name	C an..35	N	not used
3036	Party name	C an..35	N	not used
3045	Party name format code	C an..3	N	not used
C059	Street	C	O	
3042	Street and number or post office box identifier	M an..35	M an..35	Ship to's Street or PO Box
3042	Street and number or post office box identifier	C an..35	D an..20	
3042	Street and number or post office box identifier	C an..35	N	not used
3042	Street and number or post office box identifier	C an..35	N	not used
3164	City name	C an..35	R an..30	Ship to's City
C819	Country sub-entity details	C	O	
3229	Country sub-entity name code	C an..9	R an..2	
3251	Postal identification code	C an..17	R an..15	Ship to's Post code
3207	Country name code	C an..3	R an..2	Ship to's Country Code (ISO 3166)

**Remark:**

NAD+ST tells where to send the goods, unless an agreement exists to send the goods to the Transport consolidation center party or the Ultimate customer party.

**Example:**

NAD+ST+DK444::92++SK LASTBIL A/S+STREET+CITY++POST CODE+DK'



**Group:** **SG3** Status: R Max. Occ.: 1 Ship to

**Segment:** **LOC** Seq. No.: 24 Level: 2 **Place/location identification**  
 Status: D Max. Occ.: 1  
 Counter: 0170

**Name:** **Place/port of discharge**

UN/EDIFACT		Implementation		
	Name	St Format	St Format	Use / Remarks
LOC				
3227	Location function code qualifier	M an..3	M an..2	<b>11 Place/port of discharge</b>
C517	Location identification	C	R	
3225	Location name code	C an..35	N	not used
1131	Code list identification code	C an..17	N	not used
3055	Code list responsible agency code	C an..3	N	not used
3224	Location name	C an..256	R an..35	Place Of Discharge
C519	Related location one identification	C	N	not used
3223	First related location name code	C an..25	N	not used
1131	Code list identification code	C an..17	N	not used
3055	Code list responsible agency code	C an..3	N	not used
3222	First related location name	C an..70	N	not used
C553	Related location two identification	C	N	not used
3233	Second related location name code	C an..25	N	not used
1131	Code list identification code	C an..17	N	not used
3055	Code list responsible agency code	C an..3	N	not used
3232	Second related location name	C an..70	N	not used
5479	Relation code	C an..3	N	not used

**Remark:**  
 Used according to agreement between concerned parties.

**Example:**  
 LOC+11+:::200A'

**Group:** **SG3** Status: D Max. Occ.: 1 Ultimate Customer

Used according to agreement between concerned parties.

**Segment:** **NAD** Seq. No.: 25 Level: 1 **Name and address**  
 Status: M Max. Occ.: 1  
 Counter: 0160

**Name:** **Name and address**

UN/EDIFACT			Implementation		
	Name	St Format	St Format	Use / Remarks	
NAD					
3035	Party function code qualifier	M an..3	M an..2	<b>UD</b>	<b>Ultimate customer</b>
C082	Party identification details	C	R		
3039	Party identifier	M an..35	M an..35		Ultimate Customer's Identification Number
1131	Code list identification code	C an..17	N		not used
3055	Code list responsible agency code	C an..3	R an..2	<b>92</b>	<b>Assigned by buyer or buyer's agent</b>
C058	Name and address	C	N		not used
3124	Name and address description	M an..35	N		not used
3124	Name and address description	C an..35	N		not used
3124	Name and address description	C an..35	N		not used
3124	Name and address description	C an..35	N		not used
C080	Party name	C	R		
3036	Party name	M an..35	M an..35		Ultimate Customer's Name
3036	Party name	C an..35	D an..25		
C059	Street	C	O		
3042	Street and number or post office box identifier	M an..35	M an..35		Ultimate Customer's Street
3042	Street and number or post office box identifier	C an..35	D an..20		
3164	City name	C an..35	R an..30		Ultimate Customer's City
C819	Country sub-entity details	C	O		
3229	Country sub-entity name code	C an..9	R an..2		
3251	Postal identification code	C an..17	R an..15		Ultimate Customer's Post code
3207	Country name code	C an..3	R an..2		Ultimate Customer's Country code

**Remark:**

The Ultimate customer is the final recipient of the goods. In a multi-tier scheduled shipment it might be necessary to distinguish between the Seller or the Ship from (e.g. tier 2), the Ship to (e.g. tier 1) and the Ultimate customer (e.g. OEM's plant, car dealer or commercial parts seller). This segment will only be used when the final recipient is different from the Ship to party.

**Example:**

NAD+UD+44499::92++RGT TRANSPORT+STREET+CITY++POST CODE+DK'

**Group:** **SG8** Status: D Max. Occ.: 1 Order currency

Used according to agreement between concerned parties.

**Segment:** **CUX** Seq. No.: 26 Level: 1 **Currencies**  
 Status: M Max. Occ.: 1  
 Counter: 0330

**Name:** Currencies

UN/EDIFACT			Implementation	
	Name	St Format	St Format	Use / Remarks
CUX				
C504	Currency details	C	R	
6347	Currency usage code qualifier	M an..3	M an1	<b>2 Reference currency</b>
6345	Currency identification code	C an..3	R an3	Order currency ISO 4217 three alpha code
6343	Currency type code qualifier	C an..3	R an1	<b>9 Order currency</b>
6348	Currency rate	C n..4	N	not used
C504	Currency details	C	N	not used
6347	Currency usage code qualifier	M an..3	N	not used
6345	Currency identification code	C an..3	N	not used
6343	Currency type code qualifier	C an..3	N	not used
6348	Currency rate	C n..4	N	not used
5402	Currency exchange rate	C n..12	N	not used

**Remark:**

**Example:**

CUX+2 : DKK : 9 '

**Group:** **SG12** Status: D Max. Occ.: 1 Terms of delivery or transport  
Used according to agreement between concerned parties.

**Segment:** **TOD** Seq. No.: 27 Level: 1 Terms of delivery or transport  
Status: M Max. Occ.: 1  
Counter: 0470

**Name:** Terms of delivery or transport

UN/EDIFACT			Implementation	
	Name	St Format	St Format	Use / Remarks
TOD				
4055	Delivery or transport terms function code	C an..3	R an1	<b>6 Delivery condition</b>
4215	Transport charges payment method code	C an..3	N	not used
C100	Terms of delivery or transport	C	R	
4053	Delivery or transport terms description code	C an..3	R an3	INCOTERMS® 2010 version released by International Chamber of Commerce (ICC). It is to be noted that contracts made under INCOTERMS® 2000 can remain valid.

**Remark:**

**Example:**

TOD+6++FCA '

**Group:** **SG12** Status: D Max. Occ.: 1 Terms of delivery or transport  
Used according to agreement between concerned parties.

**Segment:** **LOC** Seq. No.: 28 Level: 2 **Place/location identification**  
Status: D Max. Occ.: 1  
Counter: 0480

**Name:** **Place/location identification**

UN/EDIFACT			Implementation	
	Name	St Format	St Format	Use / Remarks
LOC				
3227	Location function code qualifier	M an..3	M an1	<b>1 Place of terms of delivery</b>
C517	Location identification	C	R	
3225	Location name code	C an..35	N	not used
1131	Code list identification code	C an..17	N	not used
3055	Code list responsible agency code	C an..3	N	not used
3224	Location name	C an..256	R an..35	Name of location

**Remark:**

Used according to agreement between concerned parties.

**Example:**

LOC+1+:::TORONTO'

**Group:** **SG26** Status: D Max. Occ.: 999 Article

**Segment:** **LIN** Seq. No.: 29 Level: 1 **Line item**  
 Status: M Max. Occ.: 1  
 Counter: 0980

**Name:** Line item

UN/EDIFACT			Implementation	
	Name	St Format	St Format	Use / Remarks
LIN				
1082	Line item identifier	C an..6	D an..6	Line Item Number
1229	Action request/notification description code	C an..3	R an..3	<b>3 Changed</b> <b>5 Accepted without amendment</b> <b>6 Accepted with amendment</b> <b>7 Not accepted</b> <b>38 Replaced (Item Accepted - Substitution Made)</b> <b>84 Repriced</b> <b>111 Delivery date change (used for backorder deliveries)</b> <b>112 Quantity change</b> Codes used according to agreement between concerned parties.  In case of multiple changes the SG.26 shall be repeated with the same article number in LIN.7140. In the #2, #3 etc repetition of the SG.26, provide the additional valid change code in LIN.1229. No other information or segments than LIN shall be given in the #2, #3 etc repetitions of the SG.26.
C212	Item number identification	C	R	
7140	Item identifier	C an..35	R an..35	Volvo's Article Number
7143	Item type identification code	C an..3	R an..2	<b>IN Buyer's item number</b>
1131	Code list identification code	C an..17	N	not used
3055	Code list responsible agency code	C an..3	N	not used
C829	Sub-line information	C	N	not used
5495	Sub-line indicator code	C an..3	N	not used
1082	Line item identifier	C an..6	N	not used
1222	Configuration level number	C n..2	N	not used
7083	Configuration operation code	C an..3	N	not used

**Remark:**

**Example:**

LIN+1+3+PN12345678:IN'

Group: **SG26** Status: D Max. Occ.: 999 Article

Segment: **PIA** Seq. No.: 30 Level: 2 Additional product id  
 Status: D Max. Occ.: 1  
 Counter: 0990

Name: Additional product id

UN/EDIFACT		Implementation		
Name	St Format	St Format	Use / Remarks	
PIA				
4347	Product identifier code qualifier	M an..3	M an1	1 Additional identification
C212	Item number identification	M	M	
7140	Item identifier	C an..35	R an..35	Drawing revision number OR Supplier's article number OR International Article Numbering Association (EAN)
7143	Item type identification code	C an..3	R an2	<b>DR</b> Drawing revision number <b>SA</b> Supplier's article number <b>EN</b> International Article Numbering Association (EAN)
1131	Code list identification code	C an..17	N	not used
3055	Code list responsible agency code	C an..3	N	not used
C212	Item number identification	C	D	
7140	Item identifier	C an..35	R an..35	Drawing revision number OR Supplier's article number OR International Article Numbering Association (EAN)
7143	Item type identification code	C an..3	R an2	<b>DR</b> Drawing revision number <b>SA</b> Supplier's article number <b>EN</b> International Article Numbering Association (EAN)
1131	Code list identification code	C an..17	N	not used
3055	Code list responsible agency code	C an..3	N	not used
C212	Item number identification	C	D	
7140	Item identifier	C an..35	R an..35	Drawing revision number OR Supplier's article number OR International Article Numbering Association (EAN)
7143	Item type identification code	C an..3	R an2	<b>DR</b> Drawing revision number <b>SA</b> Supplier's article number <b>EN</b> International Article Numbering Association (EAN)
1131	Code list identification code	C an..17	N	not used
3055	Code list responsible agency code	C an..3	N	not used
C212	Item number identification	C	N	not used
7140	Item identifier	C an..35	N	not used
7143	Item type identification code	C an..3	N	not used
1131	Code list identification code	C an..17	N	not used
3055	Code list responsible agency code	C an..3	N	not used
C212	Item number identification	C	N	not used
7140	Item identifier	C an..35	N	not used
7143	Item type identification code	C an..3	N	not used
1131	Code list identification code	C an..17	N	not used
3055	Code list responsible agency code	C an..3	N	not used

**Remark:**  
 Used according to agreement between concerned parties.

**Example:**

PIA+1+P04:DR+987654321:SA'

PIA+1+9876543:SA'



Group: **SG26** Status: D Max. Occ.: 999 Article

Segment: **PIA** Seq. No.: 31 Level: 2 Additional product id  
 Status: D Max. Occ.: 1  
 Counter: 0990

Name: Additional product id

UN/EDIFACT			Implementation	
	Name	St Format	St Format	Use / Remarks
PIA				
4347	Product identifier code qualifier	M an..3	M an1	<b>3</b> <b>6</b> Substituted by Successor product id
C212	Item number identification	M	M	
7140	Item identifier	C an..35	R an..35	
7143	Item type identification code	C an..3	R an2	<b>BH</b> Part number
1131	Code list identification code	C an..17	N	not used
3055	Code list responsible agency code	C an..3	N	not used
C212	Item number identification	C	N	not used
7140	Item identifier	C an..35	N	not used
C212	Item number identification	C	N	not used
7140	Item identifier	C an..35	N	not used
C212	Item number identification	C	N	not used
7140	Item identifier	C an..35	N	not used
7143	Item type identification code	C an..3	N	not used
1131	Code list identification code	C an..17	N	not used
3055	Code list responsible agency code	C an..3	N	not used
C212	Item number identification	C	N	not used
7140	Item identifier	C an..35	N	not used
7143	Item type identification code	C an..3	N	not used
1131	Code list identification code	C an..17	N	not used
3055	Code list responsible agency code	C an..3	N	not used

**Remark:**

Used according to agreement between concerned parties.

**Example:**

PIA+3+987654321: BH'

**Group:** **SG26** Status: D Max. Occ.: 999 Article

**Segment:** **IMD** Seq. No.: 32 Level: 2 **Item description**  
 Status: D Max. Occ.: 1  
 Counter: 1000

**Name:** **Item description**

UN/EDIFACT			Implementation	
	Name	St Format	St Format	Use / Remarks
IMD				
7077	Description format code	C an..3	R an1	<b>F Free-form</b>
C272	Item characteristic	C	N	not used
7081	Item characteristic code	C an..3	N	not used
1131	Code list identification code	C an..17	N	not used
3055	Code list responsible agency code	C an..3	N	not used
C273	Item description	C	R	
7009	Item description code	C an..17	N	not used
1131	Code list identification code	C an..17	N	not used
3055	Code list responsible agency code	C an..3	N	not used
7008	Item description	C an..256	R an..48	
7008	Item description	C an..256	N	not used
3453	Language name code	C an..3	N	not used
7383	Surface or layer code	C an..3	N	not used

**Remark:**

Used according to agreement between concerned parties.

**Example:**

IMD+F++ : : VALVE '

**Group:** **SG26** Status: D Max. Occ.: 999 Article

**Segment:** **QTY** Seq. No.: 33 Level: 2 **Quantity**  
 Status: D Max. Occ.: 1  
 Counter: 1020

**Name:** **Ordered quantity**

UN/EDIFACT			Implementation	
	Name	St Format	St Format	Use / Remarks
QTY				
C186	Quantity details	M	M	
6063	Quantity type code qualifier	M an..3	M an..2	<b>21 Ordered quantity</b>
6060	Quantity	M an..35	M n..15	
6411	Measurement unit code	C an..8	D an..3	Code specifying the unit of measurement. Use the Measurement unit code given in the Order. UN/ECE recommendation 20, Common code. Default value is C62.

**Remark:**

For split or scheduled deliveries specify the quantities through the repetition of group 51 (scheduling details). If split or scheduled deliveries are not used, this segment is required.

**Example:**

QTY+21:6:C62'

**Group:** **SG26** Status: D Max. Occ.: 999 Article

**Segment:** **QTY** Seq. No.: 34 Level: 2 **Quantity**  
 Status: D Max. Occ.: 1  
 Counter: 1020

**Name:** **Total delivery quantity**

UN/EDIFACT			Implementation	
	Name	St Format	St Format	Use / Remarks
QTY				
C186	Quantity details	M	M	
6063	Quantity type code qualifier	M an..3	M an..3	<b>167 Total delivery quantity</b>
6060	Quantity	M an..35	M n..15	
6411	Measurement unit code	C an..8	D an..3	Code specifying the unit of measurement. Use the Measurement unit code given in the Order. UN/ECE recommendation 20, Common code. Default value is C62.

**Remark:**

Used according to agreement between concerned parties.

**Example:**

QTY+167:6:C62'

**Group:** **SG26** Status: D Max. Occ.: 999 Article

**Segment:** **QTY** Seq. No.: 35 Level: 2 **Quantity**  
 Status: D Max. Occ.: 1  
 Counter: 1020

**Name:** **Backorder quantity**

UN/EDIFACT			Implementation	
	Name	St Format	St Format	Use / Remarks
QTY				
C186	Quantity details	M	M	
6063	Quantity type code qualifier	M an..3	M an..2	<b>83 Backorder quantity</b>
6060	Quantity	M an..35	M n..15	
6411	Measurement unit code	C an..8	D an..3	Code specifying the unit of measurement. Use the Measurement unit code given in the Order. UN/ECE recommendation 20, Common code. Default value is C62.

**Remark:**  
 Used according to agreement between concerned parties.

**Example:**  
 QTY+83:3:C62'

**Group:** **SG26** Status: D Max. Occ.: 999 Article

**Segment:** **QTY** Seq. No.: 36 Level: 2 **Quantity**  
 Status: D Max. Occ.: 1  
 Counter: 1020

**Name:** **Changed quantity**

UN/EDIFACT			Implementation	
	Name	St Format	St Format	Use / Remarks
QTY				
C186	Quantity details	M	M	
6063	Quantity type code qualifier	M an..3	M an..3	<b>169 Supplied quantity</b>
6060	Quantity	M an..35	M n..15	
6411	Measurement unit code	C an..8	D an..3	Code specifying the unit of measurement. Use the Measurement unit code given in the Order. UN/ECE recommendation 20, Common code. Default value is C62.

**Remark:**

**Example:**

QTY+169:3:C62'

**Group:** **SG26** Status: D Max. Occ.: 999 Article

**Segment:** **QTY** Seq. No.: 37 Level: 2 **Quantity**  
 Status: D Max. Occ.: 1  
 Counter: 1020

**Name:** **Substituted quantity**

UN/EDIFACT			Implementation	
	Name	St Format	St Format	Use / Remarks
QTY				
C186	Quantity details	M	M	
6063	Quantity type code qualifier	M an..3	M an..3	<b>94 Substitutional quantity</b>
6060	Quantity	M an..35	M n..15	
6411	Measurement unit code	C an..8	D an..3	Code specifying the unit of measurement. Use the Measurement unit code given in the Order. UN/ECE recommendation 20, Common code. Default value is C62.

**Remark:**

**Example:**

QTY+94:3:C62'

**Group:** **SG26** Status: D Max. Occ.: 999 Article

**Segment:** **DTM** Seq. No.: 38 Level: 2 **Date/time/period**  
 Status: D Max. Occ.: 1  
 Counter: 1050

**Name:** **Date/time/period**

UN/EDIFACT			Implementation		
	Name	St Format	St Format	Use / Remarks	
DTM					
C507	Date/time/period	M	M		
2005	Date or time or period function code qualifier	M an..3	M an..2	2 10 55 76 110	Delivery date/time, requested Shipment date/time, requested Confirmed date/time Delivery date/time, scheduled for Ship date, originally scheduled
2380	Date or time or period text	C an..35	R an.14		
2379	Date or time or period format code	C an..3	R an..3	102 203	CCYMMDD CCYMMDDHHMM

**Remark:**

To specify date (and times if required) relevant to the delivery or pick up of goods.  
 Scheduled date for delivery of non backorder material

**Example:**

DTM+2:20160528:102'



**Group:** **SG26** Status: D Max. Occ.: 999 Article

**Segment:** **DTM** Seq. No.: 39 Level: 2 **Date/time/period**  
 Status: D Max. Occ.: 1  
 Counter: 1050

**Name:** **Date/time/period**

UN/EDIFACT			Implementation	
	Name	St Format	St Format	Use / Remarks
DTM				
C507	Date/time/period	M	M	
2005	Date or time or period function code qualifier	M an..3	M an..2	<b>17</b> <b>Delivery date/time, estimated</b>
2380	Date or time or period text	C an..35	R an.14	
2379	Date or time or period format code	C an..3	R an..3	<b>102</b> <b>CCYYMMDD</b> <b>203</b> <b>CCYYMMDDHHMM</b> <b>204</b> <b>CCYYMMDDHHMMSS</b>

**Remark:**

Estimated date for backorder deliveries.  
 Only to be used when QTY 6063 = 83 Backorder.

**Example:**

DTM+17:20160627:102'

**Group:** **SG26** Status: D Max. Occ.: 999 Article

**Segment:** **FTX** Seq. No.: 40 Level: 2 **Free text**  
 Status: D Max. Occ.: 3  
 Counter: 1140

**Name:** **Free text**

UN/EDIFACT			Implementation		
	Name	St Format	St Format	Use / Remarks	
FTX					
4451	Text subject code qualifier	M an..3	M an..3	<b>AAJ</b> <b>ACB</b> <b>PUR</b>	<b>Additional conditions of sale/purchase</b> <b>Additional information</b> <b>Purchasing information</b>
4453	Free text function code	C an..3	N	not used	
C107	Text reference	C	N	not used	
4441	Free text description code	M an..17	N	not used	
1131	Code list identification code	C an..17	N	not used	
3055	Code list responsible agency code	C an..3	N	not used	
C108	Text literal	C	R		
4440	Free text	M an..512	M an..80		
3453	Language name code	C an..3	N	not used	
4447	Free text format code	C an..3	N	not used	

**Remark:**

Used after agreement between concerned parties.

To provide free form or coded text information. In general free text should be avoided where possible since this will inhibit automatic processing.

**Example:**

FTX+ACB+++ADDITIONAL INFORMATION '

**Group:** **SG26** Status: D Max. Occ.: 999 Article

**Segment:** **FTX** Seq. No.: 41 Level: 2 **Free text**  
 Status: D Max. Occ.: 10  
 Counter: 1140

**Name:** **Free text**

UN/EDIFACT			Implementation	
	Name	St Format	St Format	Use / Remarks
FTX				
4451	Text subject code qualifier	M an..3	M an..3	<b>ADW</b> <b>Characteristics of goods</b>
4453	Free text function code	C an..3	N	not used
C107	Text reference	C	R	
4441	Free text description code	M an..17	M an..17	
C108	Text literal	C	R	
4440	Free text	M an..512	M an..80	

**Remark:**

Used according to agreement between concerned parties.

**Example:**

FTX+ADW++COLOR+BLUE '

**Group:** **SG26** Status: D Max. Occ.: 999 Article

**Group:** **SG29** Status: D Max. Occ.: 1 AJT-FTX

Used according to agreement between concerned parties.

**Segment:** **AJT** Seq. No.: 42 Level: 2 **Adjustment details**  
 Status: M Max. Occ.: 1  
 Counter: 1250

**Name:** Adjustment details

UN/EDIFACT			Implementation		
	Name	St Format	St Format	Use / Remarks	
AJT 4465	Adjustment reason description code	M an..3	M an..2	<b>28</b> <b>49</b> <b>51</b>	<b>See separate advice</b> <b>Substitute product</b> <b>Required data missing</b>

**Remark:**

**Example:**

AJT+28'

**Group:** **SG26** Status: D Max. Occ.: 999 Article

**Group:** **SG29** Status: D Max. Occ.: 1 AJT-FTX

Used according to agreement between concerned parties.

**Segment:** **FTX** Seq. No.: 43 Level: 3 **Free text**  
 Status: D Max. Occ.: 1  
 Counter: 1260

**Name:** **Free text**

UN/EDIFACT			Implementation	
	Name	St Format	St Format	Use / Remarks
FTX				
4451	Text subject code qualifier	M an..3	M an..3	<b>AAO</b> Error description (free text)
4453	Free text function code	C an..3	N	not used
C107	Text reference	C	N	not used
4441	Free text description code	M an..17	N	not used
C108	Text literal	C	R	
4440	Free text	M an..512	M an..512	

**Remark:**

**Example:**

FTX+AAO+++INCOMPLETE ADDRESS FOR ULTIMATE CONSIGNEE '

**Group:** **SG26** Status: D Max. Occ.: 999 Article

**Group:** **SG30** Status: D Max. Occ.: 2 Item Price

Used according to agreement between concerned parties.

The SG30.PRI segment can be given twice if both the original price and a changed price should be given.

**Segment:** **PRI** Seq. No.: 44 Level: 2 **Price details**  
 Status: M Max. Occ.: 1  
 Counter: 1280

**Name:** Price details

UN/EDIFACT			Implementation		
	Name	St Format	St Format	Use / Remarks	
PRI					
C509	Price information	C	R		
5125	Price code qualifier	M an..3	M an..3	<b>AAA</b> <b>AAB</b>	<b>Calculation net</b> <b>Calculation gross</b>
5118	Price amount	C n..15	R n..15		Item Price
5375	Price type code	C an..3	N		not used
5387	Price specification code	C an..3	D an..3	<b>AAA</b> <b>AAG</b> <b>CON</b>	<b>Reference price</b> <b>Subject to price adjustment</b> <b>Contract price</b>
5284	Unit price basis quantity	C n..9	D n..4		The quantity multipel of the given price Valid values: 1, 10, 100, 1000
6411	Measurement unit code	C an..8	N		not used
5213	Sub-line item price change operation code	C an..3	N		not used

**Remark:**

**Example:**

PRI+AAB:69.60:::1'

**Group:** **SG26** Status: D Max. Occ.: 999 Article

**Group:** **SG31** Status: D Max. Occ.: 1 RFF

Used according to agreement between concerned parties.

**Segment:** **RFF** Seq. No.: 45 Level: 2 **Reference**  
 Status: M Max. Occ.: 1  
 Counter: 1340

**Name:** Reference

UN/EDIFACT			Implementation	
	Name	St Format	St Format	Use / Remarks
RFF				
C506	Reference	M	M	
1153	Reference code qualifier	M an..3	M an2	<b>ON Buyers order number</b>
1154	Reference identifier	C an..70	D an..50	
1156	Document line identifier	C an..6	R an..6	

**Remark:**

**Example:**

RFF+ON:5372D-45962-123:10'

**Group:** **SG26** Status: D Max. Occ.: 999 Article

**Group:** **SG51** Status: D Max. Occ.: 100 Scheduling details

Used according to agreement between concerned parties.

**Segment:** **SCC** Seq. No.: 46 Level: 2 **Scheduling conditions**  
 Status: M Max. Occ.: 1  
 Counter: 2040

**Name:** **Scheduling conditions**

UN/EDIFACT			Implementation	
	Name	St Format	St Format	Use / Remarks
SCC				
4017	Delivery plan commitment level code	M an..3	M an1	Schedule Status Indicator <b>1 Firm</b> <b>4 Planning/forecast</b>
4493	Delivery instruction code	C an..3	N	not used
C329	Pattern description	C	N	not used
2013	Frequency code	C an..3	N	not used
2015	Despatch pattern code	C an..3	N	not used
2017	Despatch pattern timing code	C an..3	N	not used

**Remark:**

To specify a delivery schedule for the line item, e.g. to identify the quantities and delivery dates.

**Example:**

SCC+1'



**Group:** **SG26** Status: D Max. Occ.: 999 Article

**Group:** **SG51** Status: D Max. Occ.: 100 Scheduling details

**Group:** **SG52** Status: R Max. Occ.: 1 QTY-DTM

Used according to agreement between concerned parties.

**Segment:** **QTY** Seq. No.: 47 Level: 3 **Quantity**  
 Status: M Max. Occ.: 1  
 Counter: 2080

**Name:** Quantity

UN/EDIFACT			Implementation	
	Name	St Format	St Format	Use / Remarks
QTY				
C186	Quantity details	M	M	
6063	Quantity type code qualifier	M an..3	M an..3	<b>21</b> <b>Ordered quantity</b> <b>113</b> <b>Quantity to be delivered</b>
6060	Quantity	M an..35	M n..15	
6411	Measurement unit code	C an..8	R an..3	Code specifying the unit of measurement. Use the Measurement unit code given in the Order. UN/ECE recommendation 20, Common code. Default value is C62.

**Remark:**

To specify a delivery quantity for a delivery schedule.

**Example:**

QTY+21:6:C62'

**Group:** **SG26** Status: D Max. Occ.: 999 Article

**Group:** **SG51** Status: D Max. Occ.: 100 Scheduling details

**Group:** **SG52** Status: R Max. Occ.: 1 QTY-DTM

Used according to agreement between concerned parties.

**Segment:** **DTM** Seq. No.: 48 Level: 4 **Date/time/period**  
 Status: R Max. Occ.: 1  
 Counter: 2090

**Name:** **Date/time/period**

UN/EDIFACT			Implementation		
	Name	St Format	St Format	Use / Remarks	
DTM					
C507	Date/time/period	M	M		
2005	Date or time or period function code qualifier	M an..3	M an..2	<b>2</b> <b>10</b> <b>55</b>	<b>Delivery date/time, requested</b> <b>Shipment date/time, requested</b> <b>Confirmed date/time</b>
2380	Date or time or period text	C an..35	R an..14		
2379	Date or time or period format code	C an..3	R an..3	<b>102</b> <b>203</b> <b>204</b>	<b>CCYYMMDD</b> <b>CCYYMMDDHHMM</b> <b>CCYYMMDDHHMMSS</b>

**Remark:**

To specify date, and/or time, for the quantity specified in previous segment.

**Example:**

DTM+2:20160528:102'

Segment:

**UNS**

Seq. No.: 49 Level: 0  
 Status: M Max. Occ.: 1  
 Counter: 2200

Section control

Name: Section control

UN/EDIFACT			Implementation	
	Name	St Format	St Format	Use / Remarks
UNS 0081	Section identification	M a1	M a1	<b>S</b> Detail/summary section separation

Remark:

Example:

UNS+S'

Segment:

**UNT**

Seq. No.: 50 Level: 0  
 Status: M Max. Occ.: 1  
 Counter: 2270

Message trailer

Name: Message trailer

UN/EDIFACT		Implementation		
	Name	St Format	St Format	Use / Remarks
UNT				
0074	Number of segments in the message	M n..6	M n..6	Number of segments in the message
0062	Message reference number	M an..14	M an..14	

Remark:

Example:

UNT+31+654321'