



Message Specification

## **VOLVO GLOBAL ORDERS D05B**

Based on:

### **ORDERS**

Purchase order message

### **UN D.05B S3**

Version: 1  
Variant: 0  
Issue date: 2018-10-02  
Author: Volvo Group IT

---

## Message Structure

Counter	No	Tag	St	MaxOcc	Level	Content
0010	1	UNH	M	1	0	Message header
0020	2	BGM	M	1	0	Beginning of message
0030	3	DTM	R	1	1	Date/time/period
0070	4	FTX	D	3	1	Free text
0070	5	FTX	D	1	1	Free text
0090		SG1	D	99	1	Original purchase order
0100	6	RFF	M	1	1	Reference
0090		SG1	D	1	1	Billing account number
0100	7	RFF	M	1	1	Reference
0090		SG1	D	99	1	Customer reference number
0100	8	RFF	M	1	1	Reference
0090		SG1	D	99	1	Customer specification number
0100	9	RFF	M	1	1	Reference
0090		SG1	D	1	1	Criticality designator
0100	10	RFF	M	1	1	Reference
0090		SG1	D	99	1	Promotion deal number
0100	11	RFF	M	1	1	Reference
0120		SG2	R	1	1	Buyer
0130	12	NAD	M	1	1	Name and address
0160		SG3	D	1	2	VAT registration number
0170	13	RFF	M	1	2	Reference
0220		SG5	O	3	2	Information contact
0230	14	CTA	M	1	2	Contact information
0240	15	COM	O	3	3	Communication contact
0120		SG2	D	1	1	Invoicee
0130	16	NAD	M	1	1	Name and address
0160		SG3	D	1	2	VAT registration number
0170	17	RFF	M	1	2	Reference
0120		SG2	R	1	1	Seller
0130	18	NAD	M	1	1	Name and address
0160		SG3	D	1	2	VAT registration number
0170	19	RFF	M	1	2	Reference
0220		SG5	O	3	2	Information contact
0230	20	CTA	M	1	2	Contact information
0240	21	COM	O	3	3	Communication contact
0120		SG2	D	1	1	Transport consolidation center
0130	22	NAD	M	1	1	Name and address
0120		SG2	R	1	1	Ship to

Counter = Counter of segment/group within the standard  
 No = Consecutive segment number  
 MaxOcc = Maximum occurrence of the segment/group

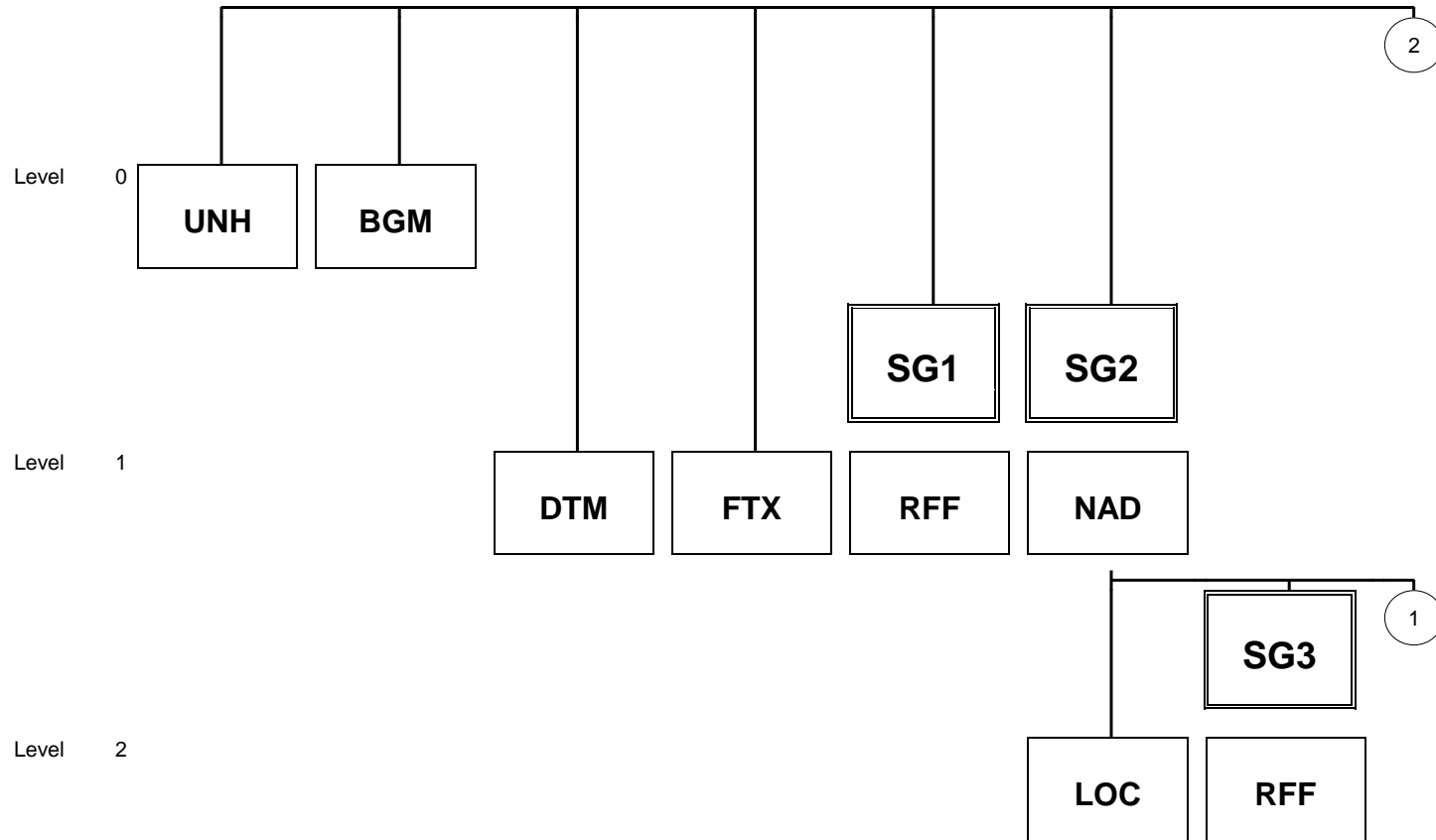
St = Status  
 EDIFACT: M=Mandatory, C=Conditional  
 User specific: R=Required, O=Optional, D=Dependent,  
 A=Advised, N=Not used

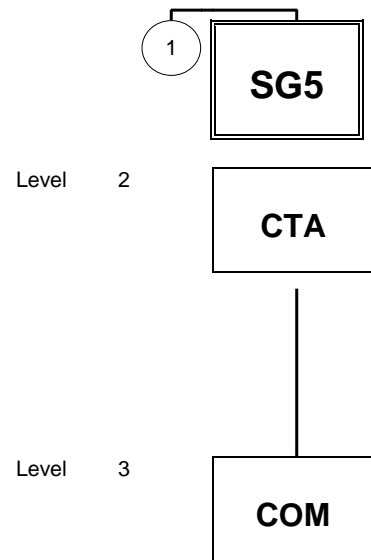
Counter	No	Tag	St	MaxOcc	Level	Content
0130	23	<b>NAD</b>	M	1	1	Name and address
0140	24	<b>LOC</b>	D	1	2	Place/port of discharge
0120		<b>SG2</b>	D	1	1	Ultimate Customer
0130	25	<b>NAD</b>	M	1	1	Name and address
0120		<b>SG2</b>	D	1	1	Carrier
0130	26	<b>NAD</b>	M	1	1	Name and address
0290		<b>SG7</b>	D	1	1	Order currency
0300	27	<b>CUX</b>	M	1	1	Currencies
0460		<b>SG12</b>	D	1	1	Terms of delivery or transport
0470	28	<b>TOD</b>	M	1	1	Terms of delivery or transport
0480	29	<b>LOC</b>	D	1	2	Place/location identification
1030		<b>SG28</b>	R	999	1	Ordered Article
1040	30	<b>LIN</b>	M	1	1	Line item
1050	31	<b>PIA</b>	D	1	2	Additional product id
1060	32	<b>IMD</b>	D	1	2	Item description
1080	33	<b>QTY</b>	D	1	2	Quantity
1110	34	<b>DTM</b>	D	1	2	Date/time/period
1200	35	<b>FTX</b>	D	3	2	Free text
1200	36	<b>FTX</b>	D	10	2	Free text
1320		<b>SG32</b>	D	1	2	Item price
1330	37	<b>PRI</b>	R	1	2	Price details
1380		<b>SG33</b>	D	1	2	RFF
1390	38	<b>RFF</b>	M	1	2	Reference
2100		<b>SG53</b>	D	100	2	Scheduling Details
2110	39	<b>SCC</b>	M	1	2	Scheduling conditions
2140		<b>SG54</b>	R	1	3	QTY-DTM
2150	40	<b>QTY</b>	M	1	3	Quantity
2160	41	<b>DTM</b>	R	1	4	Date/time/period
2330	42	<b>UNS</b>	M	1	0	Section control
2400	43	<b>UNT</b>	M	1	0	Message trailer

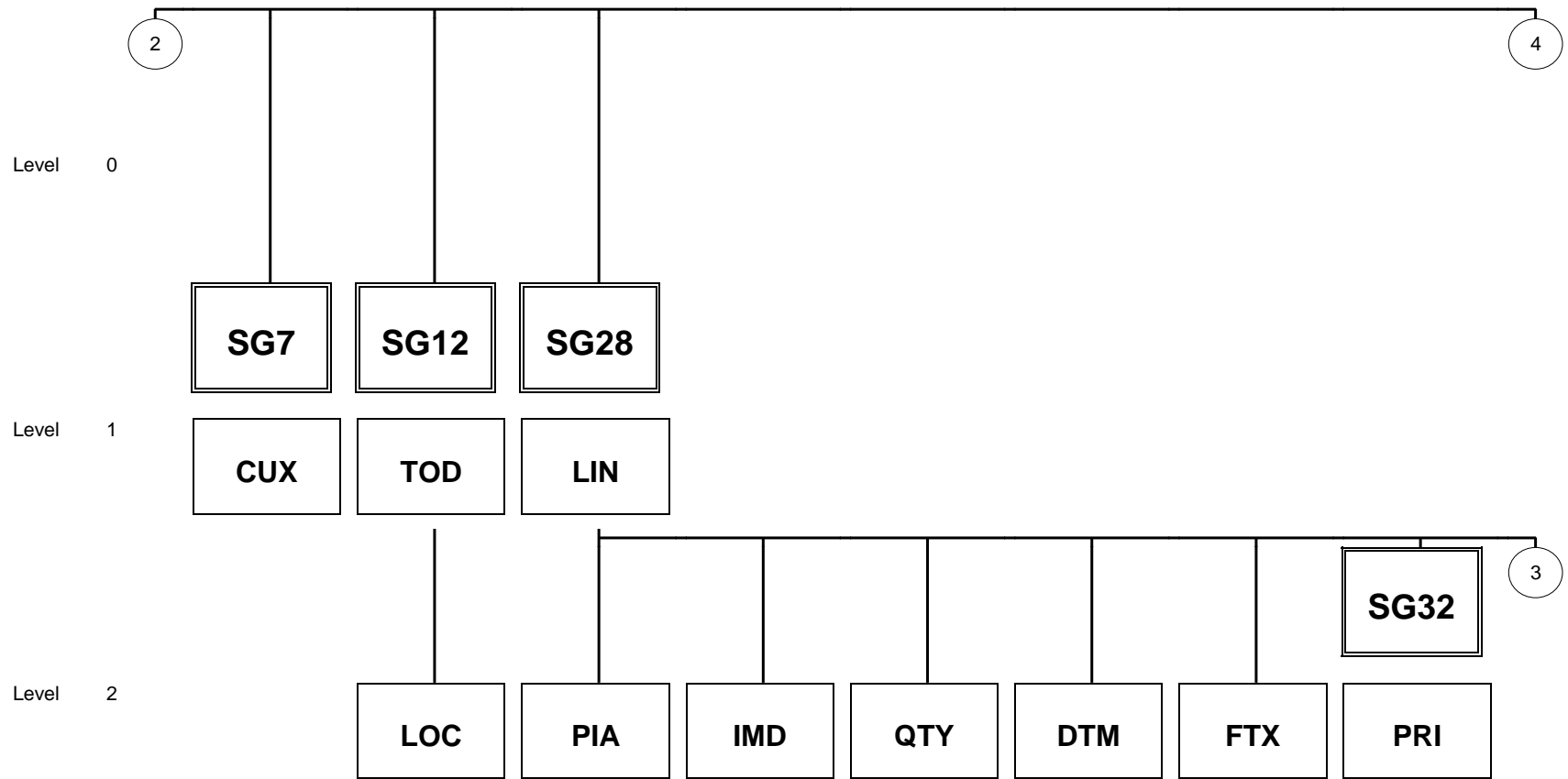
Counter = Counter of segment/group within the standard  
 No = Consecutive segment number  
 MaxOcc = Maximum occurrence of the segment/group

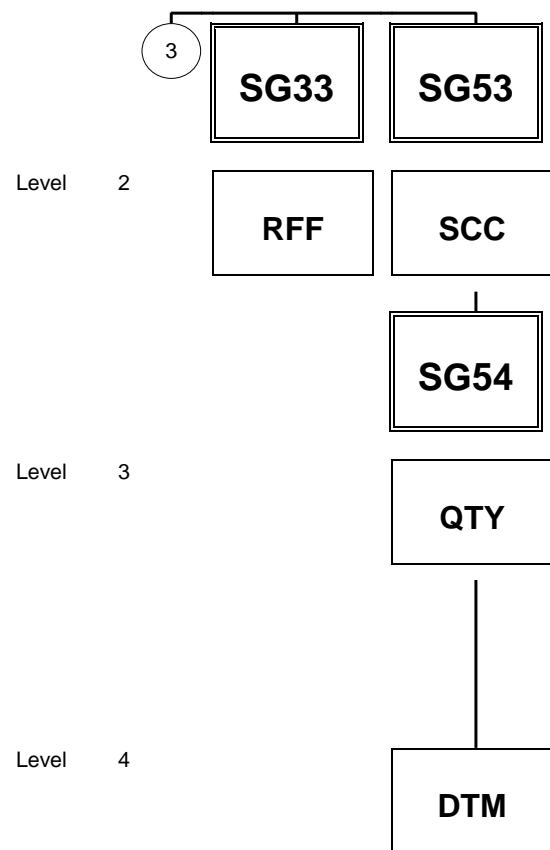
St = Status  
 EDIFACT: M=Mandatory, C=Conditional  
 User specific: R=Required, O=Optional, D=Dependent,  
 A=Advised, N=Not used

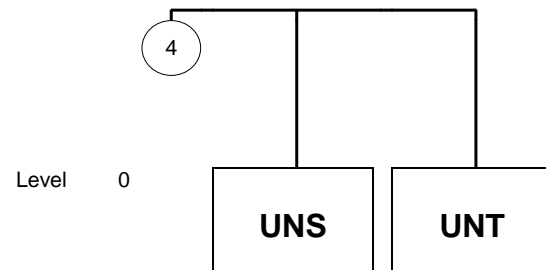
**Branching Diagram of Used Segments/Groups**













Segment:

**UNH**

Seq. No.: 1 Level: 0  
 Status: M Max. Occ.: 1  
 Counter: 0010

Message header

Name: **Message header**

UN/EDIFACT			Implementation	
	Name	St Format	St Format	Use / Remarks
UNH				
0062	Message reference number	M an..14	M an..14	
S009	Message identifier	M	M	
0065	Message type	M an..6	M an..6	<b>ORDERS Purchase order message</b>
0052	Message version number	M an..3	M an..3	<b>D Draft version/UN/EDIFACT Directory</b>
0054	Message release number	M an..3	M an..3	<b>05B Release 2005 - B</b>
0051	Controlling agency	M an..2	M an..2	<b>UN UN/ECE/TRADE/WP.4</b>
0057	Association assigned code	C an..6	N	not used
0068	Common access reference	C an..35	N	not used

Remark:

Example:

UNH+123456+ORDERS:D:05B:UN'

Segment:

**BGM**Seq. No.: 2 Level: 0  
Status: M Max. Occ.: 1  
Counter: 0020

Beginning of message

Name: Beginning of message

UNEDIFACT			Implementation	
	Name	St Format	St Format	Use / Remarks
BGM				
C002	Document/message name	C	R	
1001	Document name code	C an..3	R an..3	<b>220 Order</b> <b>221 Blanket order</b> <b>320 Acknowledgement of order</b> <b>402 Intermediate handling cross docking order</b>
1131	Code list identification code	C an..17	N	not used
3055	Code list responsible agency code	C an..3	N	not used
1000	Document name	C an..35	N	not used
C106	Document/message identification	C	R	
1004	Document identifier	C an..35	R an..22	Order Number
1056	Version identifier	C an..9	N	not used
1060	Revision identifier	C an..6	N	not used
1225	Message function code	C an..3	R an..2	Document Function Coded <b>9 Original</b>
4343	Response type code	C an..3	O an..2	<b>AC Acknowledge - with detail and change</b> <b>AQ Response expected (With Exception Detail Only)</b> <b>NA No acknowledgement needed</b> <b>US Acknowledgement when error</b> AC - an ORDRSP is expected for each ORDER AQ - an ORDRSP is always expected. If there is any kind of deviation from normal, detail should be provided, as for example: Back order, Price error, Substituted part, etc. US - an ORDRSP is expected when there is any kind of deviation from normal as for example: Back order, Price error, Substituted part, etc.

Remark:

Example:

BGM+220+5372D-45962+9+AC '

Segment:

**DTM**

Seq. No.: 3 Level: 1  
 Status: R Max. Occ.: 1  
 Counter: 0030

Date/time/period

Name: Date/time/period

UN/EDIFACT			Implementation	
	Name	St Format	St Format	Use / Remarks
DTM				
C507	Date/time/period	M	M	
2005	Date or time or period function code qualifier	M an..3	M an..3	<b>137</b> Document/message date/time
2380	Date or time or period text	C an..35	R an..12	Document Date
2379	Date or time or period format code	C an..3	R an..3	<b>102</b> CCYYMMDD <b>203</b> CCYYMMDDHHMM

Remark:

Example:

DTM+137:20160519:102'

Segment:

**FTX**Seq. No.: 4 Level: 1  
Status: D Max. Occ.: 3  
Counter: 0070

Free text

Name: Free text

UN/EDIFACT			Implementation		
	Name	St Format	St Format	Use / Remarks	
FTX					
4451	Text subject code qualifier	M an..3	M an..3	<b>AAJ</b> <b>ACB</b> <b>PUR</b>	<b>Additional conditions of sale/purchase</b> <b>Additional information</b> <b>Purchasing information</b>
4453	Free text function code	C an..3	N	not used	
C107	Text reference	C	N	not used	
4441	Free text description code	M an..17	N	not used	
1131	Code list identification code	C an..17	N	not used	
3055	Code list responsible agency code	C an..3	N	not used	
C108	Text literal	C	R		
4440	Free text	M an..512	M an..80	Document Free Text	
3453	Language name code	C an..3	N	not used	
4447	Free text format code	C an..3	N	not used	

**Remark:**

Used according to agreement between concerned parties.

To provide free form or coded text information. In general free text should be avoided where possible since this will inhibit automatic processing.

**Example:**

FTX+ACB+++ADDITIONAL INFORMATION'

Segment:

**FTX**

Seq. No.: 5 Level: 1  
 Status: D Max. Occ.: 1  
 Counter: 0070

Free text

Name: Free text

UN/EDIFACT			Implementation	
	Name	St Format	St Format	Use / Remarks
FTX				
4451	Text subject code qualifier	M an..3	M an..3	<b>DEL</b> <b>Delivery information</b>
4453	Free text function code	C an..3	N	not used
C107	Text reference	C	N	not used
4441	Free text description code	M an..17	N	not used
C108	Text literal	C	R	
4440	Free text	M an..512	M an..35	Free-form description of the routing or requested routing for shipment, or the originating carrier's identity

**Remark:**

Used according to agreement between concerned parties.

**Example:**

FTX+DEL+++UPS OVERNIGHT'

**Group:** **SG1** Status: D Max. Occ.: 99 Original purchase order  
 Used according to agreement between concerned parties.

**Segment:** **RFF** Seq. No.: 6 Level: 1 **Reference**  
 Status: M Max. Occ.: 1  
 Counter: 0100

**Name:** Reference

UN/EDIFACT			Implementation	
	Name	St Format	St Format	Use / Remarks
RFF				
C506	Reference	M	M	
1153	Reference code qualifier	M an..3	M an..2	<b>OP</b> <b>Original purchase order</b> E.g. Dealer purchase order number
1154	Reference identifier	C an..70	R an..50	
1156	Document line identifier	C an..6	N	not used
4000	Reference version identifier	C an..35	N	not used
1060	Revision identifier	C an..6	N	not used

**Remark:**

**Example:**

RFF+OP:OP08058'

**Group:** **SG1** Status: D Max. Occ.: 1 Billing account number  
 Used according to agreement between concerned parties.

**Segment:** **RFF** Seq. No.: 7 Level: 1 **Reference**  
 Status: M Max. Occ.: 1  
 Counter: 0100

**Name:** Reference

UN/EDIFACT			Implementation	
	Name	St Format	St Format	Use / Remarks
RFF				
C506	Reference	M	M	
1153	Reference code qualifier	M an..3	M an..3	<b>AJZ</b> Transportation account number
1154	Reference identifier	C an..70	R an..50	Billing account number
1156	Document line identifier	C an..6	N	not used
4000	Reference version identifier	C an..35	N	not used
1060	Revision identifier	C an..6	N	not used

**Remark:**

**Example:**

RFF+AJZ:123456'

**Group:** **SG1** Status: D Max. Occ.: 99 Customer reference number  
 Used according to agreement between concerned parties.

**Segment:** **RFF** Seq. No.: 8 Level: 1 **Reference**  
 Status: M Max. Occ.: 1  
 Counter: 0100

**Name:** Reference

UN/EDIFACT			Implementation	
	Name	St Format	St Format	Use / Remarks
RFF				
C506	Reference	M	M	
1153	Reference code qualifier	M an..3	M an..2	<b>CR</b> Customer reference number
1154	Reference identifier	C an..70	R an..50	Customer reference number
1156	Document line identifier	C an..6	N	not used
4000	Reference version identifier	C an..35	N	not used
1060	Revision identifier	C an..6	N	not used

**Remark:**

**Example:**

RFF+CR:1011176105'



**Group:** **SG1** Status: D Max. Occ.: 99 Customer specification number  
 Used according to agreement between concerned parties.

**Segment:** **RFF** Seq. No.: 9 Level: 1 **Reference**  
 Status: M Max. Occ.: 1  
 Counter: 0100

**Name:** Reference

UN/EDIFACT			Implementation	
	Name	St Format	St Format	Use / Remarks
RFF				
C506	Reference	M	M	
1153	Reference code qualifier	M an..3	M an..3	<b>AEG</b> Customer specification number
1154	Reference identifier	C an..70	R an..50	
1156	Document line identifier	C an..6	N	not used

**Remark:**

**Example:**

RFF+AEG:VP\_\_123456'

**Group:** **SG1** Status: D Max. Occ.: 1 Criticality designator  
 Used according to agreement between concerned parties.

**Segment:** **RFF** Seq. No.: 10 Level: 1 **Reference**  
 Status: M Max. Occ.: 1  
 Counter: 0100

**Name:** Reference

UN/EDIFACT			Implementation	
	Name	St Format	St Format	Use / Remarks
RFF				
C506	Reference	M	M	
1153	Reference code qualifier	M an..3	M an..3	<b>ZZZ</b> <b>Mutually defined reference number</b>
1154	Reference identifier	C an..70	R an..50	1 If an EMERGENCY order 3 If a STOCK order

**Remark:**

**Example:**

RFF+ZZZ:1'

**Group:** **SG1** Status: D Max. Occ.: 99 Promotion deal number  
 Used according to agreement between concerned parties.

**Segment:** **RFF** Seq. No.: 11 Level: 1 **Reference**  
 Status: M Max. Occ.: 1  
 Counter: 0100

**Name:** Reference

UN/EDIFACT			Implementation	
	Name	St Format	St Format	Use / Remarks
RFF				
C506	Reference	M	M	
1153	Reference code qualifier	M an..3	M an..2	<b>PD</b> <b>Promotion deal number</b>
1154	Reference identifier	C an..70	R an..50	

**Remark:**

**Example:**

RFF+PD:025'

Group: **SG2** Status: R Max. Occ.: 1 Buyer

Segment: **NAD** Seq. No.: 12 Level: 1 Name and address  
 Status: M Max. Occ.: 1  
 Counter: 0130

Name: Name and address

UN/EDIFACT		Implementation		
Name	St Format	St Format	Use / Remarks	
NAD				
3035	Party function code qualifier	M an..3	M an..2	<b>BY Buyer</b>
C082	Party identification details	C	R	
3039	Party identifier	M an..35	M an..35	Buyer's Identification Number
1131	Code list identification code	C an..17	N	not used
3055	Code list responsible agency code	C an..3	R an..2	<b>92 Assigned by buyer or buyer's agent</b>
C058	Name and address	C	N	not used
3124	Name and address description	M an..35	N	not used
3124	Name and address description	C an..35	N	not used
3124	Name and address description	C an..35	N	not used
3124	Name and address description	C an..35	N	not used
3124	Name and address description	C an..35	N	not used
C080	Party name	C	R	
3036	Party name	M an..35	M an..35	Buyer's Name
3036	Party name	C an..35	D an..25	
3036	Party name	C an..35	N	not used
3036	Party name	C an..35	N	not used
3036	Party name	C an..35	N	not used
3045	Party name format code	C an..3	N	not used
C059	Street	C	O	
3042	Street and number or post office box identifier	M an..35	M an..35	Buyer's Street or PO Box
3042	Street and number or post office box identifier	C an..35	D an..20	
3042	Street and number or post office box identifier	C an..35	N	not used
3042	Street and number or post office box identifier	C an..35	N	not used
3164	City name	C an..35	R an..30	Buyer's City
C819	Country sub-entity details	C	O	
3229	Country sub-entity name code	C an..9	R an..2	
3251	Postal identification code	C an..17	R an..15	Buyer's Post code
3207	Country name code	C an..3	R an..2	Buyer's Country Code (ISO 3166)

**Remark:**

NAD+BY tells who the buyer is.

Buyer can also be the Ship to party. If this is the case NAD+BY and NAD+ST contains same information.

Buyer can also be the party to invoice. If this is the case NAD+IV can be excluded from the message.

**Example:**

NAD+BY+1001::92++VOLVO TRUCK CORPORATION AB++GOTHENBURG++40508+SE'

**Group:** **SG2** Status: R Max. Occ.: 1 Buyer

**Group:** **SG3** Status: D Max. Occ.: 1 VAT registration number

Used according to agreement between concerned parties.

**Segment:** **RFF** Seq. No.: 13 Level: 2 **Reference**  
 Status: M Max. Occ.: 1  
 Counter: 0170

**Name:** Reference

UN/EDIFACT			Implementation	
	Name	St Format	St Format	Use / Remarks
RFF				
C506	Reference	M	M	
1153	Reference code qualifier	M an..3	M an..2	<b>VA VAT registration number</b>
1154	Reference identifier	C an..70	R an..17	Buyer's VAT Registration Number
1156	Document line identifier	C an..6	N	not used
4000	Reference version identifier	C an..35	N	not used

**Remark:**

**Example:**

RFF+VA:SE556013970001'

**Group:** **SG2** Status: R Max. Occ.: 1 Buyer  
**Group:** **SG5** Status: O Max. Occ.: 3 Information contact  
**Segment:** **CTA** Seq. No.: 14 Level: 2 **Contact information**  
 Status: M Max. Occ.: 1  
 Counter: 0230

**Name:** Contact information

UN/EDIFACT			Implementation	
	Name	St Format	St Format	Use / Remarks
CTA				
3139	Contact function code	C an..3	R an..2	<b>IC Information contact</b>
C056	Department or employee details	C	R	
3413	Department or employee name code	C an..17	N	not used
3412	Department or employee name	C an..35	R an..35	Buyer's Information Contact Department Or Employee

**Remark:**

**Example:**

CTA+IC+:JOE SMITH'

# VOLVO GLOBAL ORDERS D05B



**Group:** **SG2** Status: R Max. Occ.: 1 Buyer  
**Group:** **SG5** Status: O Max. Occ.: 3 Information contact  
**Segment:** **COM** Seq. No.: 15 Level: 3 **Communication contact**  
 Status: O Max. Occ.: 3  
 Counter: 0240

**Name:** Communication contact

UN/EDIFACT			Implementation		
	Name	St Format	St Format	Use / Remarks	
COM					
C076	Communication contact	M	M		
3148	Communication address identifier	M an..512	M an..70	Buyer's Information Contact E-Mail Address Or Fax Number Or Telephone Number	
3155	Communication address code qualifier	M an..3	M an..2	<b>EM</b> <b>FX</b> <b>TE</b>	<b>Electronic mail</b> <b>Telefax</b> <b>Telephone</b>

**Remark:**

**Example:**

COM+012345678912:TE'

Group: **SG2** Status: D Max. Occ.: 1 Invoicee

Segment: **NAD** Seq. No.: 16 Level: 1 Name and address  
 Status: M Max. Occ.: 1  
 Counter: 0130

Name: Name and address

UN/EDIFACT		Implementation		
Name	St Format	St Format	Use / Remarks	
NAD				
3035	Party function code qualifier	M an..3	M an..2	<b>IV Invoicee</b>
C082	Party identification details	C	R	
3039	Party identifier	M an..35	M an..35	Invoicee's Identification Number
1131	Code list identification code	C an..17	N	not used
3055	Code list responsible agency code	C an..3	R an..2	<b>92 Assigned by buyer or buyer's agent</b>
C058	Name and address	C	N	not used
3124	Name and address description	M an..35	N	not used
3124	Name and address description	C an..35	N	not used
3124	Name and address description	C an..35	N	not used
3124	Name and address description	C an..35	N	not used
3124	Name and address description	C an..35	N	not used
C080	Party name	C	R	
3036	Party name	M an..35	M an..35	Invoicee's Name
3036	Party name	C an..35	D an..25	
3036	Party name	C an..35	N	not used
3036	Party name	C an..35	N	not used
3036	Party name	C an..35	N	not used
3045	Party name format code	C an..3	N	not used
C059	Street	C	O	
3042	Street and number or post office box identifier	M an..35	M an..35	Invoicee's Street or PO Box
3042	Street and number or post office box identifier	C an..35	D an..20	
3042	Street and number or post office box identifier	C an..35	N	not used
3042	Street and number or post office box identifier	C an..35	N	not used
3164	City name	C an..35	R an..30	Invoicee's City
C819	Country sub-entity details	C	O	
3229	Country sub-entity name code	C an..9	R an..2	
3251	Postal identification code	C an..17	R an..15	Invoicee's Post code
3207	Country name code	C an..3	R an..2	Invoicee's Country Code (ISO 3166)

**Remark:**

NAD+IV tells where to send the invoice. If not given it is the same as Buyer.

**Example:**

NAD+IV+296246::92++VOLVO TRUCK CORPORATION, DENMARK+TAASTRUPGAARDSVEJ  
 32+TAASTRUP++2630+DK'



**Group:** **SG2** Status: D Max. Occ.: 1 Invoicee

**Group:** **SG3** Status: D Max. Occ.: 1 VAT registration number

Used according to agreement between concerned parties.

**Segment:** **RFF** Seq. No.: 17 Level: 2 **Reference**  
 Status: M Max. Occ.: 1  
 Counter: 0170

**Name:** Reference

UN/EDIFACT			Implementation	
	Name	St Format	St Format	Use / Remarks
RFF				
C506	Reference	M	M	
1153	Reference code qualifier	M an..3	M an..2	<b>VA VAT registration number</b>
1154	Reference identifier	C an..70	R an..17	Invoicee's VAT Registration Number
1156	Document line identifier	C an..6	N	not used
4000	Reference version identifier	C an..35	N	not used
1060	Revision identifier	C an..6	N	not used

**Remark:**

**Example:**

RFF+VA:DK26178509'

Group: **SG2** Status: R Max. Occ.: 1 Seller

Segment: **NAD** Seq. No.: 18 Level: 1 Name and address  
 Status: M Max. Occ.: 1  
 Counter: 0130

Name: Name and address

UN/EDIFACT		Implementation		
Name	St Format	St Format	Use / Remarks	
NAD				
3035	Party function code qualifier	M an..3	M an..2	<b>SE Seller</b>
C082	Party identification details	C	R	
3039	Party identifier	M an..35	M an..35	Seller's Identification Number
1131	Code list identification code	C an..17	N	not used
3055	Code list responsible agency code	C an..3	R an..2	<b>92 Assigned by buyer or buyer's agent</b>
C058	Name and address	C	N	not used
3124	Name and address description	M an..35	N	not used
3124	Name and address description	C an..35	N	not used
3124	Name and address description	C an..35	N	not used
3124	Name and address description	C an..35	N	not used
3124	Name and address description	C an..35	N	not used
C080	Party name	C	R	
3036	Party name	M an..35	M an..35	Seller's Name
3036	Party name	C an..35	D an..25	
3036	Party name	C an..35	N	not used
3036	Party name	C an..35	N	not used
3036	Party name	C an..35	N	not used
3045	Party name format code	C an..3	N	not used
C059	Street	C	O	
3042	Street and number or post office box identifier	M an..35	M an..35	Seller's Street or PO Box
3042	Street and number or post office box identifier	C an..35	D an..20	
3042	Street and number or post office box identifier	C an..35	N	not used
3042	Street and number or post office box identifier	C an..35	N	not used
3164	City name	C an..35	R an..30	Seller's City
C819	Country sub-entity details	C	O	
3229	Country sub-entity name code	C an..9	R an..2	
3251	Postal identification code	C an..17	R an..15	Seller's Post code
3207	Country name code	C an..3	R an..2	Seller's Country Code (ISO 3166)

**Remark:**

NAD+SE tells who the seller is.

**Example:**

NAD+SE+633000::92++SELLER CORPORATION+STREET+CITY++2630+DK'

**Group:** **SG2** Status: R Max. Occ.: 1 Seller

**Group:** **SG3** Status: D Max. Occ.: 1 VAT registration number

Used according to agreement between concerned parties.

**Segment:** **RFF** Seq. No.: 19 Level: 2 **Reference**  
 Status: M Max. Occ.: 1  
 Counter: 0170

**Name:** Reference

UN/EDIFACT			Implementation	
	Name	St Format	St Format	Use / Remarks
RFF				
C506	Reference	M	M	
1153	Reference code qualifier	M an..3	M an..2	<b>VA VAT registration number</b>
1154	Reference identifier	C an..70	R an..17	Seller's VAT Registration Number

**Remark:**

**Example:**

RFF+VA:DK26170000'

**Group:** **SG2** Status: R Max. Occ.: 1 Seller  
**Group:** **SG5** Status: O Max. Occ.: 3 Information contact  
**Segment:** **CTA** Seq. No.: 20 Level: 2 **Contact information**  
 Status: M Max. Occ.: 1  
 Counter: 0230

**Name:** Contact information

UN/EDIFACT			Implementation	
	Name	St Format	St Format	Use / Remarks
CTA				
3139	Contact function code	C an..3	R an..2	<b>IC Information contact</b>
C056	Department or employee details	C	R	
3413	Department or employee name code	C an..17	N	not used
3412	Department or employee name	C an..35	R an..35	Seller's Information Contact Department Or Employee

**Remark:**

**Example:**

CTA+IC+:JOHN JOHNSON'

# VOLVO GLOBAL ORDERS D05B



**Group:** **SG2** Status: R Max. Occ.: 1 Seller  
**Group:** **SG5** Status: O Max. Occ.: 3 Information contact  
**Segment:** **COM** Seq. No.: 21 Level: 3 **Communication contact**  
 Status: O Max. Occ.: 3  
 Counter: 0240

**Name:** Communication contact

UN/EDIFACT			Implementation		
	Name	St Format	St Format	Use / Remarks	
COM					
C076	Communication contact	M	M		
3148	Communication address identifier	M an..512	M an..70	Seller's Information Contact E-Mail Address Or Fax Number Or Telephone Number	
3155	Communication address code qualifier	M an..3	M an..2	<b>EM</b> <b>FX</b> <b>TE</b>	<b>Electronic mail</b> <b>Telefax</b> <b>Telephone</b>

**Remark:**

**Example:**

COM+012987665432:TE'

**Group:** **SG2** Status: D Max. Occ.: 1 Transport consolidation center  
 Used according to agreement between concerned parties.

**Segment:** **NAD** Seq. No.: 22 Level: 1 **Name and address**  
 Status: M Max. Occ.: 1  
 Counter: 0130

**Name:** **Name and address**

UN/EDIFACT			Implementation	
	Name	St Format	St Format	Use / Remarks
NAD				
3035	Party function code qualifier	M an..3	M an..2	<b>DP Delivery party</b>
C082	Party identification details	C	R	
3039	Party identifier	M an..35	M an..35	Grouping Center's Identification Number
1131	Code list identification code	C an..17	N	not used
3055	Code list responsible agency code	C an..3	R an..2	<b>92 Assigned by buyer or buyer's agent</b>
C058	Name and address	C	N	not used
3124	Name and address description	M an..35	N	not used
3124	Name and address description	C an..35	N	not used
3124	Name and address description	C an..35	N	not used
3124	Name and address description	C an..35	N	not used
3124	Name and address description	C an..35	N	not used
C080	Party name	C	R	
3036	Party name	M an..35	M an..35	Grouping Center's Name
3036	Party name	C an..35	D an..25	
3036	Party name	C an..35	N	not used
3036	Party name	C an..35	N	not used
3036	Party name	C an..35	N	not used
3045	Party name format code	C an..3	N	not used
C059	Street	C	O	
3042	Street and number or post office box identifier	M an..35	M an..35	Grouping Center's Street or PO Box
3042	Street and number or post office box identifier	C an..35	D an..20	
3042	Street and number or post office box identifier	C an..35	N	not used
3042	Street and number or post office box identifier	C an..35	N	not used
3164	City name	C an..35	R an..30	Grouping Center's City
C819	Country sub-entity details	C	O	
3229	Country sub-entity name code	C an..9	R an..2	
1131	Code list identification code	C an..17	N	not used
3055	Code list responsible agency code	C an..3	N	not used
3228	Country sub-entity name	C an..70	N	not used
3251	Postal identification code	C an..17	R an..15	Grouping Center's Post code
3207	Country name code	C an..3	R an..2	Grouping Center's Country Code (ISO 3166)

**Remark:**

The Transport consolidation center is a logistics party who consolidates shipments to one Ship to party. The party is in charge of groupage, including degroupage and regroupage.

**Example:**

NAD+DP+123456789:::92++CONSOLIDATING COMPANY+STREET+CITY++POST CODE+SE'

Group: **SG2** Status: R Max. Occ.: 1 Ship to

Segment: **NAD** Seq. No.: 23 Level: 1 Name and address  
 Status: M Max. Occ.: 1  
 Counter: 0130

Name: Name and address

UN/EDIFACT		Implementation		
Name	St Format	St Format	Use / Remarks	
NAD				
3035	Party function code qualifier	M an..3	M an..2	<b>ST Ship to</b>
C082	Party identification details	C	R	
3039	Party identifier	M an..35	M an..35	Ship to's Identification Number
1131	Code list identification code	C an..17	N	not used
3055	Code list responsible agency code	C an..3	R an..2	<b>92 Assigned by buyer or buyer's agent</b>
C058	Name and address	C	N	not used
3124	Name and address description	M an..35	N	not used
3124	Name and address description	C an..35	N	not used
3124	Name and address description	C an..35	N	not used
3124	Name and address description	C an..35	N	not used
3124	Name and address description	C an..35	N	not used
C080	Party name	C	R	
3036	Party name	M an..35	M an..35	Ship to's Name
3036	Party name	C an..35	D an..25	
3036	Party name	C an..35	N	not used
3036	Party name	C an..35	N	not used
3036	Party name	C an..35	N	not used
3045	Party name format code	C an..3	N	not used
C059	Street	C	O	
3042	Street and number or post office box identifier	M an..35	M an..35	Ship to's Street or PO Box
3042	Street and number or post office box identifier	C an..35	D an..20	
3042	Street and number or post office box identifier	C an..35	N	not used
3042	Street and number or post office box identifier	C an..35	N	not used
3164	City name	C an..35	R an..30	Ship to's City
C819	Country sub-entity details	C	O	
3229	Country sub-entity name code	C an..9	R an..2	
3251	Postal identification code	C an..17	R an..15	Ship to's Post code
3207	Country name code	C an..3	R an..2	Ship to's Country Code (ISO 3166)

**Remark:**

NAD+ST tells where to send the goods, unless an agreement exists to send the goods to the Transport consolidation center party or the Ultimate customer party.

**Example:**

NAD+ST+DK444::92++SK LASTBIL A/S+STREET+CITY++POST CODE+DK'



**Group:** **SG2** Status: R Max. Occ.: 1 Ship to

**Segment:** **LOC** Seq. No.: 24 Level: 2 **Place/location identification**  
 Status: D Max. Occ.: 1  
 Counter: 0140

**Name:** **Place/port of discharge**

UN/EDIFACT		Implementation		
	Name	St Format	St Format	Use / Remarks
LOC				
3227	Location function code qualifier	M an..3	M an..2	<b>11 Place/port of discharge</b>
C517	Location identification	C	R	
3225	Location name code	C an..35	N	not used
1131	Code list identification code	C an..17	N	not used
3055	Code list responsible agency code	C an..3	N	not used
3224	Location name	C an..256	R an..35	Place Of Discharge
C519	Related location one identification	C	N	not used
3223	First related location name code	C an..25	N	not used

**Remark:**

Used according to agreement between concerned parties.

**Example:**

LOC+11+:::200A'

**Group:** **SG2** Status: D Max. Occ.: 1 Ultimate Customer

Used according to agreement between concerned parties.

**Segment:** **NAD** Seq. No.: 25 Level: 1 **Name and address**  
 Status: M Max. Occ.: 1  
 Counter: 0130

**Name:** **Name and address**

UN/EDIFACT			Implementation	
	Name	St Format	St Format	Use / Remarks
NAD				
3035	Party function code qualifier	M an..3	M an..2	<b>UD</b> <b>Ultimate customer</b>
C082	Party identification details	C	R	
3039	Party identifier	M an..35	M an..35	Ultimate Customer's Identification Number
1131	Code list identification code	C an..17	N	not used
3055	Code list responsible agency code	C an..3	R an..2	<b>92</b> <b>Assigned by buyer or buyer's agent</b>
C058	Name and address	C	N	not used
3124	Name and address description	M an..35	N	not used
3124	Name and address description	C an..35	N	not used
3124	Name and address description	C an..35	N	not used
3124	Name and address description	C an..35	N	not used
C080	Party name	C	R	
3036	Party name	M an..35	M an..35	Ultimate Customer's Name
3036	Party name	C an..35	D an..25	
C059	Street	C	O	
3042	Street and number or post office box identifier	M an..35	M an..35	Ultimate Customer's Street
3042	Street and number or post office box identifier	C an..35	D an..20	
3164	City name	C an..35	R an..30	Ultimate Customer's City
C819	Country sub-entity details	C	O	
3229	Country sub-entity name code	C an..9	R an..2	
3251	Postal identification code	C an..17	R an..15	Ultimate Customer's Post code
3207	Country name code	C an..3	R an..2	Ultimate Customer's Country code

**Remark:**

The Ultimate customer is the final recipient of the goods. In a multi-tier scheduled shipment it might be necessary to distinguish between the Seller or the Ship from (e.g. tier 2), the Ship to (e.g. tier 1) and the Ultimate customer (e.g. OEM's plant, car dealer or commercial parts seller). This segment will only be used when the final recipient is different from the Ship to party.

**Example:**

NAD+UD+44499::92++RGT TRANSPORT+STREET+CITY++POST CODE+DK'

**Group:** **SG2** Status: D Max. Occ.: 1 Carrier

Used according to agreement between concerned parties.

**Segment:** **NAD** Seq. No.: 26 Level: 1 **Name and address**  
 Status: M Max. Occ.: 1  
 Counter: 0130

**Name:** **Name and address**

UN/EDIFACT		Implementation		
	Name	St Format	St Format	Use / Remarks
NAD				
3035	Party function code qualifier	M an..3	M an..2	<b>CA</b> <b>Carrier</b>
C082	Party identification details	C	R	
3039	Party identifier	M an..35	M an..35	
1131	Code list identification code	C an..17	N	not used
3055	Code list responsible agency code	C an..3	R an..3	<b>92</b> <b>Assigned by buyer or buyer's agent</b> <b>182</b> <b>US, Standard Carrier Alpha Code (Motor)</b>
C058	Name and address	C	N	not used
3124	Name and address description	M an..35	N	not used
3124	Name and address description	C an..35	N	not used
3124	Name and address description	C an..35	N	not used
3124	Name and address description	C an..35	N	not used
C080	Party name	C	R	
3036	Party name	M an..35	M an..35	
3036	Party name	C an..35	D an..25	
C059	Street	C	O	
3042	Street and number or post office box identifier	M an..35	M an..35	
3042	Street and number or post office box identifier	C an..35	D an..20	
3164	City name	C an..35	R an..30	
C819	Country sub-entity details	C	O	
3229	Country sub-entity name code	C an..9	R an..2	
3251	Postal identification code	C an..17	R an..15	
3207	Country name code	C an..3	R an..2	

**Remark:**

**Example:**

NAD+CA+DHL::92++DHL+STREET+CITY++POST CODE+DK'

**Group:** **SG7** Status: D Max. Occ.: 1 Order currency

Used according to agreement between concerned parties.

**Segment:** **CUX** Seq. No.: 27 Level: 1 **Currencies**  
 Status: M Max. Occ.: 1  
 Counter: 0300

**Name:** Currencies

UN/EDIFACT			Implementation	
	Name	St Format	St Format	Use / Remarks
CUX				
C504	Currency details	C	R	
6347	Currency usage code qualifier	M an..3	M an1	<b>2 Reference currency</b>
6345	Currency identification code	C an..3	R an3	Order currency ISO 4217 three alpha code
6343	Currency type code qualifier	C an..3	R an1	<b>9 Order currency</b>
6348	Currency rate	C n..4	N	not used
C504	Currency details	C	N	not used
6347	Currency usage code qualifier	M an..3	N	not used
6345	Currency identification code	C an..3	N	not used
6343	Currency type code qualifier	C an..3	N	not used
6348	Currency rate	C n..4	N	not used
5402	Currency exchange rate	C n..12	N	not used

**Remark:**

**Example:**

CUX+2 : DKK : 9 '

**Group:** **SG12** Status: D Max. Occ.: 1 Terms of delivery or transport  
 Used according to agreement between concerned parties.

**Segment:** **TOD** Seq. No.: 28 Level: 1 Terms of delivery or transport  
 Status: M Max. Occ.: 1  
 Counter: 0470

**Name:** Terms of delivery or transport

UN/EDIFACT		Implementation		
	Name	St Format	St Format	Use / Remarks
TOD				
4055	Delivery or transport terms function code	C an..3	D an1	<b>6 Delivery condition</b>
4215	Transport charges payment method code	C an..3	N	not used
C100	Terms of delivery or transport	C	R	
4053	Delivery or transport terms description code	C an..3	D an3	INCOTERMS® 2010 version released by International Chamber of Commerce (ICC). It is to be noted that contracts made under INCOTERMS® 2000 can remain valid.
1131	Code list identification code	C an..17	N	not used
3055	Code list responsible agency code	C an..3	N	not used
4052	Delivery or transport terms description	C an..70	D an..70	<b>9A 9 A.M.</b> <b>AC Air Cargo</b> <b>AM A.M.</b> <b>CG Ground</b> <b>CX Express Service</b> <b>ES Expedited Service</b> <b>G2 Standard Service</b> <b>GT Tracking - Ground</b> <b>IE Expedited Service - Worldwide</b> <b>IX Express Service - Worldwide</b> <b>ND Next Day Air</b> Delivery during day hours of next business day <b>NM Next Morning</b> <b>ON Overnight</b> <b>SA Same Day</b> <b>SC Second Day Air</b> Delivery during day hours no later than 2nd business day <b>SD Saturday</b> <b>SE Second Day</b> <b>SG Standard Ground</b> <b>SH Second Day Hundred Weight</b> <b>SI Standard Ground Hundred Weight</b> <b>SM Second Morning</b> Used according to agreement between concerned parties.

**Remark:**

**Example:**

TOD+6++FCA:::CG'

**Group:** **SG12** Status: D Max. Occ.: 1 Terms of delivery or transport  
Used according to agreement between concerned parties.

**Segment:** **LOC** Seq. No.: 29 Level: 2 **Place/location identification**  
Status: D Max. Occ.: 1  
Counter: 0480

**Name:** **Place/location identification**

UN/EDIFACT			Implementation	
	Name	St Format	St Format	Use / Remarks
LOC				
3227	Location function code qualifier	M an..3	M an1	<b>1 Place of terms of delivery</b>
C517	Location identification	C	R	
3225	Location name code	C an..35	N	not used
1131	Code list identification code	C an..17	N	not used
3055	Code list responsible agency code	C an..3	N	not used
3224	Location name	C an..256	R an..35	Name of location

**Remark:**

Used after agreement between concerned parties.

**Example:**

LOC+1+:::TORONTO'

**Group:** **SG28** Status: R Max. Occ.: 999 Ordered Article

**Segment:** **LIN** Seq. No.: 30 Level: 1 **Line item**  
 Status: M Max. Occ.: 1  
 Counter: 1040

**Name:** Line item

UN/EDIFACT			Implementation	
	Name	St Format	St Format	Use / Remarks
LIN				
1082	Line item identifier	C an..6	D an..6	Line Item Number
1229	Action request/notification description code	C an..3	N	not used
C212	Item number identification	C	R	
7140	Item identifier	C an..35	R an..35	Buyer's article number
7143	Item type identification code	C an..3	R an..2	<b>IN Buyer's item number</b>
1131	Code list identification code	C an..17	N	not used
3055	Code list responsible agency code	C an..3	N	not used
C829	Sub-line information	C	N	not used
5495	Sub-line indicator code	C an..3	N	not used
1082	Line item identifier	C an..6	N	not used
1222	Configuration level number	C n..2	N	not used
7083	Configuration operation code	C an..3	N	not used

**Remark:**

**Example:**

LIN+1+++PN12345678:IN'

Group: **SG28** Status: R Max. Occ.: 999 Ordered Article

Segment: **PIA** Seq. No.: 31 Level: 2 Additional product id  
 Status: D Max. Occ.: 1  
 Counter: 1050

Name: Additional product id

UN/EDIFACT			Implementation	
Name	St Format	St Format	Use / Remarks	
PIA				
4347	Product identifier code qualifier	M an..3	M an1	1 Additional identification
C212	Item number identification	M	M	
7140	Item identifier	C an..35	R an..35	Drawing revision number OR Supplier's article number OR International Article Numbering Association (EAN)
7143	Item type identification code	C an..3	R an2	<b>DR</b> Drawing revision number <b>SA</b> Supplier's article number <b>EN</b> International Article Numbering Association (EAN)
1131	Code list identification code	C an..17	N	not used
3055	Code list responsible agency code	C an..3	N	not used
C212	Item number identification	C	D	
7140	Item identifier	C an..35	R an..35	Drawing revision number OR Supplier's article number OR International Article Numbering Association (EAN)
7143	Item type identification code	C an..3	R an2	<b>DR</b> Drawing revision number <b>SA</b> Supplier's article number <b>EN</b> International Article Numbering Association (EAN)
1131	Code list identification code	C an..17	N	not used
3055	Code list responsible agency code	C an..3	N	not used
C212	Item number identification	C	D	
7140	Item identifier	C an..35	R an..35	Drawing revision number OR Supplier's article number OR International Article Numbering Association (EAN)
7143	Item type identification code	C an..3	R an2	<b>DR</b> Drawing revision number <b>SA</b> Supplier's article number <b>EN</b> International Article Numbering Association (EAN)
1131	Code list identification code	C an..17	N	not used
3055	Code list responsible agency code	C an..3	N	not used
C212	Item number identification	C	N	not used
7140	Item identifier	C an..35	N	not used
7143	Item type identification code	C an..3	N	not used
1131	Code list identification code	C an..17	N	not used
3055	Code list responsible agency code	C an..3	N	not used
C212	Item number identification	C	N	not used
7140	Item identifier	C an..35	N	not used
7143	Item type identification code	C an..3	N	not used
1131	Code list identification code	C an..17	N	not used
3055	Code list responsible agency code	C an..3	N	not used

**Remark:**  
 Used according to agreement between concerned parties.



**Example:**

PIA+1+P04:DR+987654321:SA'

PIA+1+9876543:SA'

**Group:** **SG28** Status: R Max. Occ.: 999 Ordered Article

**Segment:** **IMD** Seq. No.: 32 Level: 2 **Item description**  
 Status: D Max. Occ.: 1  
 Counter: 1060

**Name:** **Item description**

UN/EDIFACT			Implementation	
	Name	St Format	St Format	Use / Remarks
IMD				
7077	Description format code	C an..3	R an1	<b>F Free-form</b>
C272	Item characteristic	C	N	not used
7081	Item characteristic code	C an..3	N	not used
C273	Item description	C	R	
7009	Item description code	C an..17	N	not used
1131	Code list identification code	C an..17	N	not used
3055	Code list responsible agency code	C an..3	N	not used
7008	Item description	C an..256	R an..48	
7008	Item description	C an..256	N	not used
3453	Language name code	C an..3	N	not used
7383	Surface or layer code	C an..3	N	not used

**Remark:**

Used according to agreement between concerned parties.

**Example:**

IMD+F+++:::VALVE'

**Group:** **SG28** Status: R Max. Occ.: 999 Ordered Article

**Segment:** **QTY** Seq. No.: 33 Level: 2 **Quantity**  
 Status: D Max. Occ.: 1  
 Counter: 1080

**Name:** Quantity

UN/EDIFACT			Implementation	
	Name	St Format	St Format	Use / Remarks
QTY				
C186	Quantity details	M	M	
6063	Quantity type code qualifier	M an..3	M an..2	<b>21 Ordered quantity</b>
6060	Quantity	M an..35	M n..15	
6411	Measurement unit code	C an..8	D an..3	Code specifying the unit of measurement. UN/ECE recommendation 20, Common code. Default value is C62.

**Remark:**

For split or scheduled deliveries specify the quantities through the repetition of group 53 (Scheduling Details). If split or scheduled deliveries are not used, this segment is required.

**Example:**

QTY+21:6:C62'

**Group:** **SG28** Status: R Max. Occ.: 999 Ordered Article

**Segment:** **DTM** Seq. No.: 34 Level: 2 **Date/time/period**  
 Status: D Max. Occ.: 1  
 Counter: 1110

**Name:** **Date/time/period**

UN/EDIFACT			Implementation	
	Name	St Format	St Format	Use / Remarks
DTM				
C507	Date/time/period	M	M	
2005	Date or time or period function code qualifier	M an..3	M an..2	<b>2</b> Delivery date/time, requested <b>10</b> Shipment date/time, requested
2380	Date or time or period text	C an..35	R an..14	Delivery date
2379	Date or time or period format code	C an..3	R an..3	<b>102</b> CCYYMMDD <b>203</b> CCYYMMDDHHMM

**Remark:**

To specify date (and times if required) relevant to the delivery or pick up of goods.

**Example:**

DTM+2:20160528:102'

**Group:** **SG28** Status: R Max. Occ.: 999 Ordered Article

**Segment:** **FTX** Seq. No.: 35 Level: 2 **Free text**  
 Status: D Max. Occ.: 3  
 Counter: 1200

**Name:** Free text

UN/EDIFACT			Implementation	
	Name	St Format	St Format	Use / Remarks
FTX				
4451	Text subject code qualifier	M an..3	M an..3	<b>AAJ</b> Additional conditions of sale/purchase <b>ACB</b> Additional information <b>PUR</b> Purchasing information
4453	Free text function code	C an..3	N	not used
C107	Text reference	C	N	not used
4441	Free text description code	M an..17	N	not used
1131	Code list identification code	C an..17	N	not used
3055	Code list responsible agency code	C an..3	N	not used
C108	Text literal	C	R	
4440	Free text	M an..512	M an..80	Ordered Article Free Text
3453	Language name code	C an..3	N	not used
4447	Free text format code	C an..3	N	not used

**Remark:**

Used according to agreement between concerned parties.  
 To provide free form or coded text information. In general free text should be avoided where possible since this will inhibit automatic processing.

**Example:**

FTX+ACB+++ADDITIONAL INFORMATION '

**Group:** **SG28** Status: R Max. Occ.: 999 Ordered Article

**Segment:** **FTX** Seq. No.: 36 Level: 2 **Free text**  
 Status: D Max. Occ.: 10  
 Counter: 1200

**Name:** Free text

UN/EDIFACT			Implementation	
	Name	St Format	St Format	Use / Remarks
FTX				
4451	Text subject code qualifier	M an..3	M an..3	<b>ADW Characteristics of goods</b>
4453	Free text function code	C an..3	N	not used
C107	Text reference	C	R	
4441	Free text description code	M an..17	M an..17	
C108	Text literal	C	R	
4440	Free text	M an..512	M an..80	

**Remark:**

Used according to agreement between concerned parties.

**Example:**

FTX+ADW++COLOR+BLUE '

**Group:** **SG28** Status: R Max. Occ.: 999 Ordered Article

**Group:** **SG32** Status: D Max. Occ.: 1 Item price

Used according to agreement between concerned parties.

**Segment:** **PRI** Seq. No.: 37 Level: 2 **Price details**  
 Status: R Max. Occ.: 1  
 Counter: 1330

**Name:** Price details

UN/EDIFACT			Implementation	
	Name	St Format	St Format	Use / Remarks
PRI				
C509	Price information	C	R	
5125	Price code qualifier	M an..3	M an..3	
5118	Price amount	C n..15	R n..15	Item Price
5375	Price type code	C an..3	N	not used
5387	Price specification code	C an..3	N	not used
5284	Unit price basis quantity	C n..9	D n..4	The quantity multipel of the given price Valid values: 1, 10, 100, 1000
6411	Measurement unit code	C an..8	N	not used
5213	Sub-line item price change operation code	C an..3	N	not used

**Remark:**

**Example:**

PRI+AAB:69.60:::1'

**Group:** **SG28** Status: R Max. Occ.: 999 Ordered Article

**Group:** **SG33** Status: D Max. Occ.: 1 RFF

Used according to agreement between concerned parties.

**Segment:** **RFF** Seq. No.: 38 Level: 2 **Reference**  
 Status: M Max. Occ.: 1  
 Counter: 1390

**Name:** Reference

UN/EDIFACT			Implementation	
	Name	St Format	St Format	Use / Remarks
RFF				
C506	Reference	M	M	
1153	Reference code qualifier	M an..3	M an2	<b>ON Buyers order number</b>
1154	Reference identifier	C an..70	D an..50	
1156	Document line identifier	C an..6	R an..6	

**Remark:**

**Example:**

RFF+ON:5372D-45962-123:10'



**Group:** **SG28** Status: R Max. Occ.: 999 Ordered Article

**Group:** **SG53** Status: D Max. Occ.: 100 Scheduling Details

Used according to agreement between concerned parties.

**Segment:** **SCC** Seq. No.: 39 Level: 2 **Scheduling conditions**  
 Status: M Max. Occ.: 1  
 Counter: 2110

**Name:** **Scheduling conditions**

UN/EDIFACT			Implementation	
	Name	St Format	St Format	Use / Remarks
SCC				
4017	Delivery plan commitment level code	M an..3	M an1	Schedule Status Indicator <b>1 Firm</b> <b>4 Planning/forecast</b>
4493	Delivery instruction code	C an..3	N	not used
C329	Pattern description	C	N	not used
2013	Frequency code	C an..3	N	not used
2015	Despatch pattern code	C an..3	N	not used
2017	Despatch pattern timing code	C an..3	N	not used

**Remark:**

To specify a delivery schedule for the line item, e.g. to identify the quantities and delivery dates.

**Example:**

SCC+1 '

**Group:** **SG28** Status: R Max. Occ.: 999 Ordered Article  
**Group:** **SG53** Status: D Max. Occ.: 100 Scheduling Details  
**Group:** **SG54** Status: R Max. Occ.: 1 QTY-DTM  
**Segment:** **QTY** Seq. No.: 40 Level: 3 **Quantity**  
 Status: M Max. Occ.: 1  
 Counter: 2150

**Name:** Quantity

UN/EDIFACT			Implementation	
	Name	St Format	St Format	Use / Remarks
QTY				
C186	Quantity details	M	M	
6063	Quantity type code qualifier	M an..3	M an..2	<b>21 Ordered quantity</b>
6060	Quantity	M an..35	M n..15	
6411	Measurement unit code	C an..8	R an..3	Code specifying the unit of measurement. UN/ECE recommendation 20, Common code. Default value is C62.

**Remark:**

To specify a delivery quantity for a delivery schedule.

**Example:**

QTY+21:9:C62'

**Group:** **SG28** Status: R Max. Occ.: 999 Ordered Article  
**Group:** **SG53** Status: D Max. Occ.: 100 Scheduling Details  
**Group:** **SG54** Status: R Max. Occ.: 1 QTY-DTM  
**Segment:** **DTM** Seq. No.: 41 Level: 4 **Date/time/period**  
 Status: R Max. Occ.: 1  
 Counter: 2160

**Name:** Date/time/period

UN/EDIFACT			Implementation		
	Name	St Format	St Format	Use / Remarks	
DTM					
C507	Date/time/period	M	M		
2005	Date or time or period function code qualifier	M an..3	M an..2	<b>2</b> <b>10</b>	<b>Delivery date/time, requested</b> <b>Shipment date/time, requested</b>
2380	Date or time or period text	C an..35	R an..12		
2379	Date or time or period format code	C an..3	R an..3	<b>102</b> <b>203</b>	<b>CCYYMMDD</b> <b>CCYYMMDDHHMM</b>

**Remark:**

To specify date, and/or time, for the quantity specified in previous segment.

**Example:**

DTM+2:20160528:102'

Segment:

**UNS**

Seq. No.: 42 Level: 0  
 Status: M Max. Occ.: 1  
 Counter: 2330

Section control

Name: Section control

UN/EDIFACT			Implementation	
	Name	St Format	St Format	Use / Remarks
UNS 0081	Section identification	M a1	M a1	<b>S</b> Detail/summary section separation

Remark:

Example:

UNS+S '

**Segment:**

**UNT**

Seq. No.: 43 Level: 0  
 Status: M Max. Occ.: 1  
 Counter: 2400

**Message trailer**

**Name: Message trailer**

UN/EDIFACT			Implementation	
	Name	St Format	St Format	Use / Remarks
UNT				
0074	Number of segments in the message	M n..6	M n..6	Number of segments in the message
0062	Message reference number	M an..14	M an..14	

**Remark:**

**Example:**

UNT+31+123456'