



Message Specification

VOLVO DEALER SHIP DIRECT ORDERS D05B

Based on:

ORDERS

Purchase order message

UN D.05B S3

Version: 1
Variant: 0
Issue date: 2018-02-09
Author: Volvo Group IT

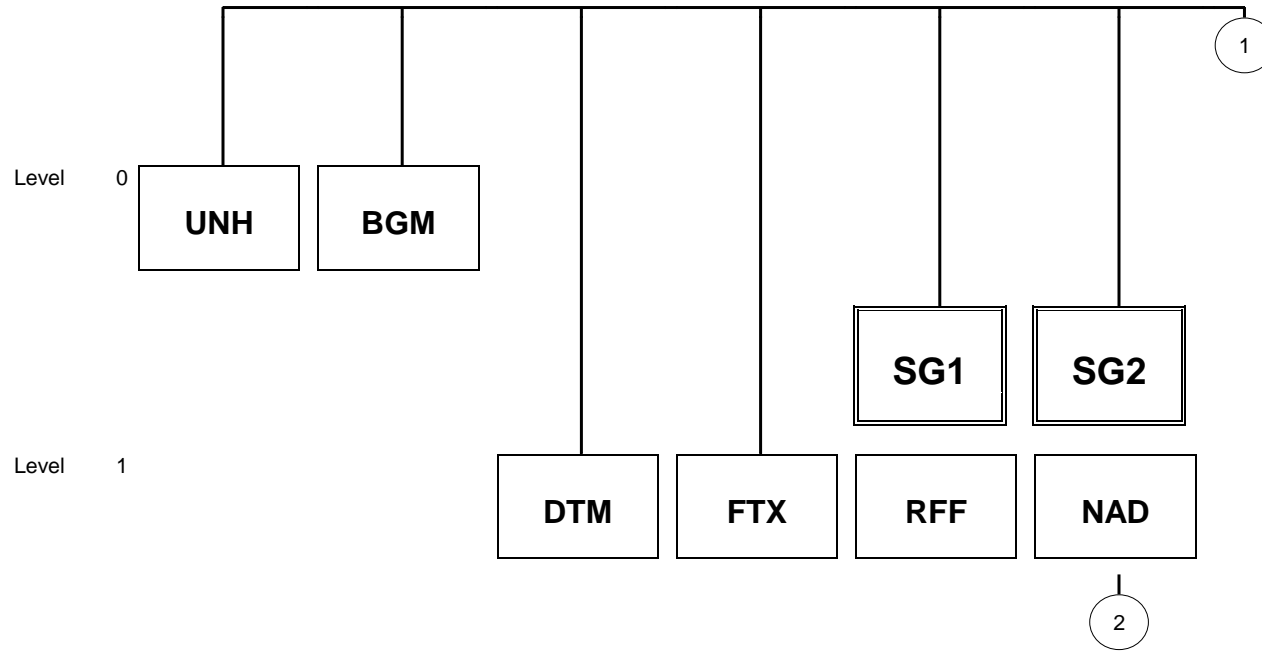
Message Structure

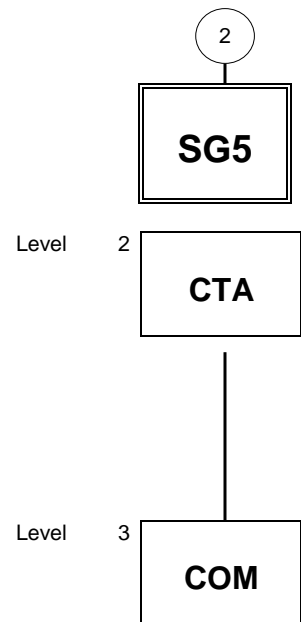
Counter	No	Tag	St	MaxOcc	Level	Content
	0010	1 UNH	M	1	0	Message header
	0020	2 BGM	M	1	0	Beginning of message
	0030	3 DTM	R	1	1	Date/time/period
	0070	4 FTX	D	1	1	Free text
	0090	SG1	R	1	1	Original purchase order
	0100	5 RFF	M	1	1	Reference
	0090	SG1	D	1	1	Billing account number
	0100	6 RFF	M	1	1	Reference
	0090	SG1	R	1	1	Criticality designator
	0100	7 RFF	M	1	1	Reference
	0090	SG1	R	1	1	Promotion deal number
	0100	8 RFF	M	1	1	Reference
	0120	SG2	R	1	1	Buyer
	0130	9 NAD	M	1	1	Name and address
	0220	SG5	O	3	2	Information contact
	0230	10 CTA	M	1	2	Contact information
	0240	11 COM	O	2	3	Communication contact
	0120	SG2	R	1	1	Seller
	0130	12 NAD	M	1	1	Name and address
	0120	SG2	R	1	1	Ship to
	0130	13 NAD	M	1	1	Name and address
	0120	SG2	D	1	1	Carrier
	0130	14 NAD	M	1	1	Name and address
	0290	SG7	D	1	1	Order currency
	0300	15 CUX	M	1	1	Currencies
	0460	SG12	D	1	1	Terms of delivery or transport
	0470	16 TOD	M	1	1	Terms of delivery or transport
	1030	SG28	R	999	1	Ordered Article
	1040	17 LIN	M	1	1	Line item
	1050	18 PIA	D	1	2	Additional product id
	1060	19 IMD	D	1	2	Item description
	1080	20 QTY	D	1	2	Quantity
	1320	SG32	D	1	2	Item price
	1330	21 PRI	R	1	2	Price details
	2330	22 UNS	M	1	0	Section control
	2400	23 UNT	M	1	0	Message trailer

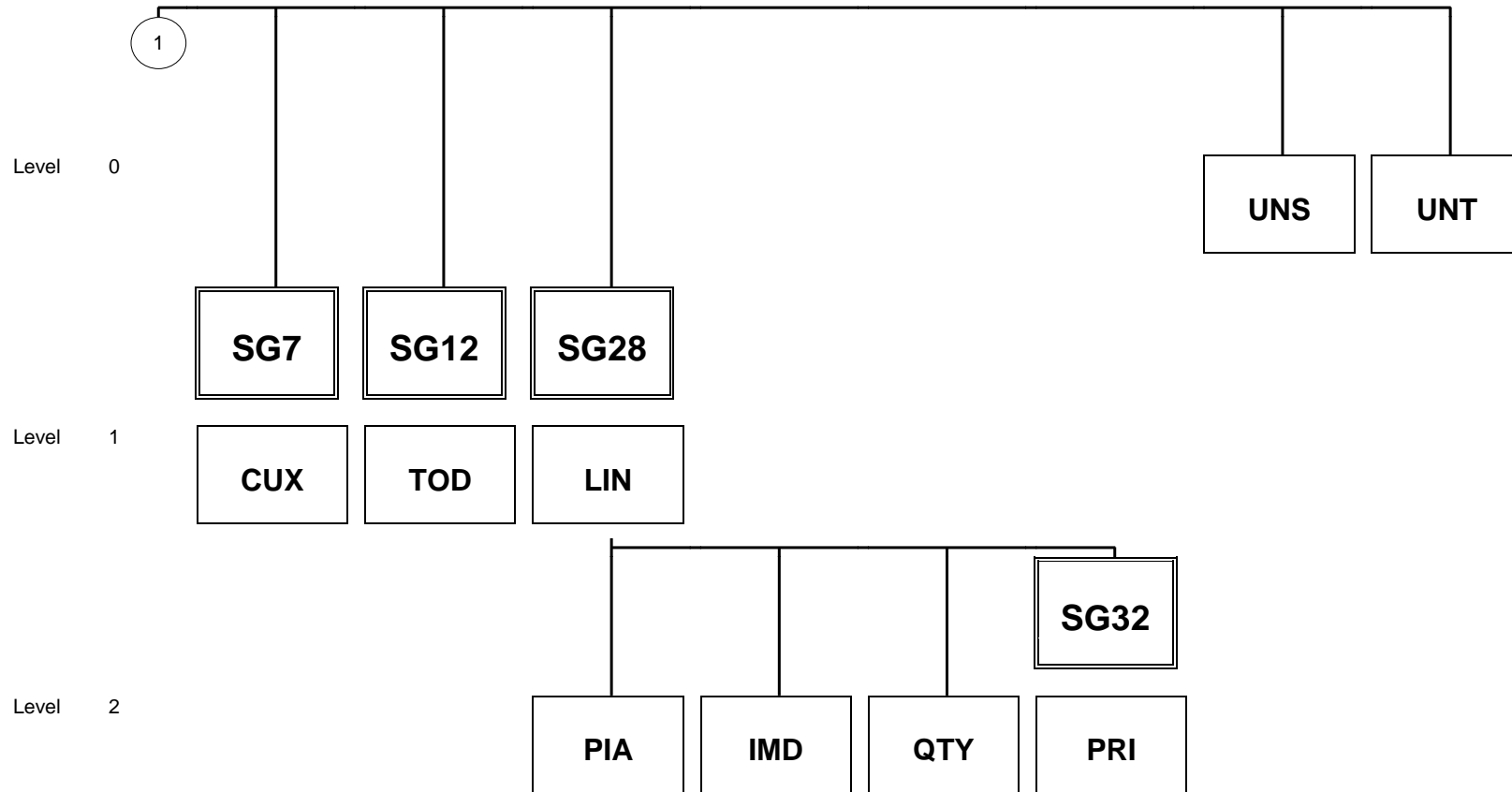
Counter = Counter of segment/group within the standard
 No = Consecutive segment number
 MaxOcc = Maximum occurrence of the segment/group

St = Status
 EDIFACT: M=Mandatory, C=Conditional
 User specific: R=Required, O=Optional, D=Dependent,
 A=Advised, N=Not used

Branching Diagram of Used Segments/Groups







Segment:

UNHSeq. No.: 1 Level: 0
Status: M Max. Occ.: 1
Counter: 0010

Message header

Name: Message header

UN/EDIFACT			Implementation	
	Name	St Format	St Format	Use / Remarks
UNH				
0062	Message reference number	M an..14	M an..14	
S009	Message identifier	M	M	
0065	Message type	M an..6	M an..6	ORDERS Purchase order message
0052	Message version number	M an..3	M an..3	D Draft version/UN/EDIFACT Directory
0054	Message release number	M an..3	M an..3	05B Release 2005 - B
0051	Controlling agency	M an..2	M an..2	UN UN/ECE/TRADE/WP.4
0057	Association assigned code	C an..6	N	not used
0068	Common access reference	C an..35	N	not used

Remark:

Example:

UNH+123456+ORDERS:D:05B:UN'

Segment:

BGMSeq. No.: 2 Level: 0
Status: M Max. Occ.: 1
Counter: 0020

Beginning of message

Name: Beginning of message

UN/EDIFACT			Implementation	
	Name	St Format	St Format	Use / Remarks
BGM				
C002	Document/message name	C	R	
1001	Document name code	C an..3	R an..3	220 Order
1131	Code list identification code	C an..17	N	not used
3055	Code list responsible agency code	C an..3	N	not used
1000	Document name	C an..35	N	not used
C106	Document/message identification	C	R	
1004	Document identifier	C an..35	R an..22	Order Number
1056	Version identifier	C an..9	N	not used
1060	Revision identifier	C an..6	N	not used
1225	Message function code	C an..3	R an..2	Document Function Coded 9 Original
4343	Response type code	C an..3	R an..2	AQ Response expected (With Exception Detail Only) AQ - an ORDRSP is always expected. If there is any kind of deviation from normal, detail should be provided, as for example: Back order, Price error, Substituted part, etc.

Remark:

Example:

BGM+220+5372D-45962+9+AQ'

Segment:

DTM

Seq. No.: 3 Level: 1
 Status: R Max. Occ.: 1
 Counter: 0030

Date/time/period

Name: Date/time/period

UN/EDIFACT			Implementation	
	Name	St Format	St Format	Use / Remarks
DTM				
C507	Date/time/period	M	M	
2005	Date or time or period function code qualifier	M an..3	M an..3	137 Document/message date/time
2380	Date or time or period text	C an..35	R an..14	Document Date
2379	Date or time or period format code	C an..3	R an..3	102 CCYYMMDD

Remark:

Example:

DTM+137:20160210:102'

Segment:

FTX

Seq. No.: 4 Level: 1 Free text
 Status: D Max. Occ.: 1
 Counter: 0070

Name: Free text

UN/EDIFACT			Implementation	
	Name	St Format	St Format	Use / Remarks
FTX				
4451	Text subject code qualifier	M an..3	M an..3	DEL Delivery information
4453	Free text function code	C an..3	N	not used
C107	Text reference	C	N	not used
4441	Free text description code	M an..17	N	not used
C108	Text literal	C	R	
4440	Free text	M an..512	M an..35	Free-form description of the routing or requested routing for shipment, or the originating carrier's identity

Remark:

Used according to agreement between concerned parties.

Example:

FTX+DEL+++UPS OVERNIGHT'

Group: **SG1** Status: R Max. Occ.: 1 Original purchase order

Segment: **RFF** Seq. No.: 5 Level: 1 **Reference**
 Status: M Max. Occ.: 1
 Counter: 0100

Name: Reference

UN/EDIFACT			Implementation	
	Name	St Format	St Format	Use / Remarks
RFF				
C506	Reference	M	M	
1153	Reference code qualifier	M an..3	M an..2	OP Original purchase order Dealer purchase order number
1154	Reference identifier	C an..70	R an..50	
1156	Document line identifier	C an..6	N	not used
4000	Reference version identifier	C an..35	N	not used
1060	Revision identifier	C an..6	N	not used

Remark:

Example:

RFF+OP:OP08058'

Group: **SG1** Status: D Max. Occ.: 1 Billing account number

Segment: **RFF** Seq. No.: 6 Level: 1 **Reference**
 Status: M Max. Occ.: 1
 Counter: 0100

Name: Reference

UN/EDIFACT			Implementation	
	Name	St Format	St Format	Use / Remarks
RFF				
C506	Reference	M	M	
1153	Reference code qualifier	M an..3	M an..3	AJZ Transportation account number
1154	Reference identifier	C an..70	R an..50	Billing account number
1156	Document line identifier	C an..6	N	not used
4000	Reference version identifier	C an..35	N	not used
1060	Revision identifier	C an..6	N	not used

Remark:

Dealers Fedex or Purolator account number for emergency orders

Example:

RFF+AJZ:123456'

Group: **SG1** Status: R Max. Occ.: 1 Criticality designator

Segment: **RFF** Seq. No.: 7 Level: 1 **Reference**
 Status: M Max. Occ.: 1
 Counter: 0100

Name: Reference

UN/EDIFACT			Implementation	
	Name	St Format	St Format	Use / Remarks
RFF				
C506	Reference	M	M	
1153	Reference code qualifier	M an..3	M an..3	ZZZ Mutually defined reference number
1154	Reference identifier	C an..70	R an..50	1 If an EMERGENCY order 3 If a STOCK order

Remark:

Example:

RFF+ZZZ:1'

Group: **SG1** Status: R Max. Occ.: 1 Promotion deal number

Segment: **RFF** Seq. No.: 8 Level: 1 **Reference**
 Status: M Max. Occ.: 1
 Counter: 0100

Name: Reference

UN/EDIFACT			Implementation	
	Name	St Format	St Format	Use / Remarks
RFF				
C506	Reference	M	M	
1153	Reference code qualifier	M an..3	M an..2	PD Promotion deal number
1154	Reference identifier	C an..70	R an..50	Program number or Promotion number

Remark:

Example:

RFF+PD:025'

VOLVO DEALER SHIP DIRECT ORDERS D05B



Group: **SG2** Status: R Max. Occ.: 1 Buyer

Segment: **NAD** Seq. No.: 9 Level: 1 **Name and address**
 Status: M Max. Occ.: 1
 Counter: 0130

Name: **Name and address**

UN/EDIFACT		Implementation		
	Name	St Format	St Format	Use / Remarks
NAD				
3035	Party function code qualifier	M an..3	M an..2	BY Buyer
C082	Party identification details	C	R	
3039	Party identifier	M an..35	M an..35	Buyer's Identification Number
1131	Code list identification code	C an..17	N	not used
3055	Code list responsible agency code	C an..3	R an..2	92 Assigned by buyer or buyer's agent
C058	Name and address	C	N	not used
3124	Name and address description	M an..35	N	not used
3124	Name and address description	C an..35	N	not used
3124	Name and address description	C an..35	N	not used
3124	Name and address description	C an..35	N	not used
3124	Name and address description	C an..35	N	not used
C080	Party name	C	R	
3036	Party name	M an..35	M an..35	Buyer's Name
3036	Party name	C an..35	D an..25	
3036	Party name	C an..35	N	not used
3036	Party name	C an..35	N	not used
3036	Party name	C an..35	N	not used
3045	Party name format code	C an..3	N	not used
C059	Street	C	O	
3042	Street and number or post office box identifier	M an..35	M an..35	Buyer's Street or PO Box
3042	Street and number or post office box identifier	C an..35	D an..20	
3042	Street and number or post office box identifier	C an..35	N	not used
3042	Street and number or post office box identifier	C an..35	N	not used
3164	City name	C an..35	R an..30	Buyer's City
C819	Country sub-entity details	C	O	
3229	Country sub-entity name code	C an..9	R an..2	
3251	Postal identification code	C an..17	R an..15	Buyer's Post code
3207	Country name code	C an..3	R an..2	Buyer's Country Code (ISO 3166)

Remark:

Example:

NAD+BY+24814::92++VOLVO TRUCKS NA INC+7900 NATIONAL SERVICE
 RD+GREENSBORO+NC+27409+US'

Group: **SG2** Status: R Max. Occ.: 1 Buyer
Group: **SG5** Status: O Max. Occ.: 3 Information contact
Segment: **CTA** Seq. No.: 10 Level: 2 **Contact information**
 Status: M Max. Occ.: 1
 Counter: 0230

Name: Contact information

UN/EDIFACT			Implementation	
	Name	St Format	St Format	Use / Remarks
CTA				
3139	Contact function code	C an..3	R an..2	IC Information contact
C056	Department or employee details	C	R	
3413	Department or employee name code	C an..17	N	not used
3412	Department or employee name	C an..35	R an..35	Buyer's Information Contact Department Or Employee

Remark:

Example:

CTA+IC+:JOE SMITH'

Group: **SG2** Status: R Max. Occ.: 1 Buyer
Group: **SG5** Status: O Max. Occ.: 3 Information contact
Segment: **COM** Seq. No.: 11 Level: 3 **Communication contact**
 Status: O Max. Occ.: 2
 Counter: 0240

Name: Communication contact

UN/EDIFACT			Implementation		
	Name	St Format	St Format	Use / Remarks	
COM					
C076	Communication contact	M	M		
3148	Communication address identifier	M an..512	M an..70	Buyer's Information Contact E-Mail Address Or Fax Number Or Telephone Number	
3155	Communication address code qualifier	M an..3	M an..2	EM TE	Electronic mail Telephone

Remark:

Example:

COM+012345678912:TE'

Group: **SG2** Status: R Max. Occ.: 1 Seller

Segment: **NAD** Seq. No.: 12 Level: 1 Name and address
 Status: M Max. Occ.: 1
 Counter: 0130

Name: Name and address

UN/EDIFACT		Implementation		
	Name	St Format	St Format	Use / Remarks
NAD				
3035	Party function code qualifier	M an..3	M an..2	SE Seller
C082	Party identification details	C	R	
3039	Party identifier	M an..35	M an..35	Seller's Identification Number
1131	Code list identification code	C an..17	N	not used
3055	Code list responsible agency code	C an..3	R an..2	92 Assigned by buyer or buyer's agent
C058	Name and address	C	N	not used
3124	Name and address description	M an..35	N	not used
3124	Name and address description	C an..35	N	not used
3124	Name and address description	C an..35	N	not used
3124	Name and address description	C an..35	N	not used
3124	Name and address description	C an..35	N	not used
C080	Party name	C	R	
3036	Party name	M an..35	M an..35	Seller's Name
3036	Party name	C an..35	D an..25	
3036	Party name	C an..35	N	not used
3036	Party name	C an..35	N	not used
3036	Party name	C an..35	N	not used
3045	Party name format code	C an..3	N	not used
C059	Street	C	O	
3042	Street and number or post office box identifier	M an..35	M an..35	Seller's Street or PO Box
3042	Street and number or post office box identifier	C an..35	D an..20	
3042	Street and number or post office box identifier	C an..35	N	not used
3042	Street and number or post office box identifier	C an..35	N	not used
3164	City name	C an..35	R an..30	Seller's City
C819	Country sub-entity details	C	O	
3229	Country sub-entity name code	C an..9	R an..2	
3251	Postal identification code	C an..17	R an..15	Seller's Post code
3207	Country name code	C an..3	R an..2	Seller's Country Code (ISO 3166)

Remark:

Example:

NAD+SE+51144:::92++PANA-PACIFIC CORP+80 VANESS DR+ENCINO+CA+93721+US'

VOLVO DEALER SHIP DIRECT ORDERS D05B



Group: **SG2** Status: R Max. Occ.: 1 Ship to

Segment: **NAD** Seq. No.: 13 Level: 1 **Name and address**
 Status: M Max. Occ.: 1
 Counter: 0130

Name: **Name and address**

UN/EDIFACT		Implementation		
	Name	St Format	St Format	Use / Remarks
NAD				
3035	Party function code qualifier	M an..3	M an..2	ST Ship to
C082	Party identification details	C	R	
3039	Party identifier	M an..35	M an..35	Ship to's Identification Number
1131	Code list identification code	C an..17	N	not used
3055	Code list responsible agency code	C an..3	R an..2	92 Assigned by buyer or buyer's agent
C058	Name and address	C	N	not used
3124	Name and address description	M an..35	N	not used
3124	Name and address description	C an..35	N	not used
3124	Name and address description	C an..35	N	not used
3124	Name and address description	C an..35	N	not used
3124	Name and address description	C an..35	N	not used
C080	Party name	C	R	
3036	Party name	M an..35	M an..35	Ship to's Name
3036	Party name	C an..35	D an..25	
3036	Party name	C an..35	N	not used
3036	Party name	C an..35	N	not used
3036	Party name	C an..35	N	not used
3045	Party name format code	C an..3	N	not used
C059	Street	C	O	
3042	Street and number or post office box identifier	M an..35	M an..35	Ship to's Street or PO Box
3042	Street and number or post office box identifier	C an..35	D an..20	
3042	Street and number or post office box identifier	C an..35	N	not used
3042	Street and number or post office box identifier	C an..35	N	not used
3164	City name	C an..35	R an..30	Ship to's City
C819	Country sub-entity details	C	O	
3229	Country sub-entity name code	C an..9	R an..2	
3251	Postal identification code	C an..17	R an..15	Ship to's Post code
3207	Country name code	C an..3	R an..2	Ship to's Country Code (ISO 3166)

Remark:

Example:

NAD+ST+5372D: :92++WORLDWIDE EQUIPMENT OF TN, INC+2017 EAST 23RD STREET+CHATTANOOGA+TN+37404+US '

Group: **SG2** Status: D Max. Occ.: 1 Carrier

Used according to agreement between concerned parties.

Segment: **NAD** Seq. No.: 14 Level: 1 **Name and address**
 Status: M Max. Occ.: 1
 Counter: 0130

Name: **Name and address**

UN/EDIFACT			Implementation	
	Name	St Format	St Format	Use / Remarks
NAD				
3035	Party function code qualifier	M an..3	M an..2	CA Carrier
C082	Party identification details	C	R	
3039	Party identifier	M an..35	M an..35	
1131	Code list identification code	C an..17	N	not used
3055	Code list responsible agency code	C an..3	R an..3	182 US, Standard Carrier Alpha Code (Motor)
C058	Name and address	C	N	not used
3124	Name and address description	M an..35	N	not used
3124	Name and address description	C an..35	N	not used
3124	Name and address description	C an..35	N	not used
3124	Name and address description	C an..35	N	not used

Remark:

Example:

NAD+CA+456DFG: :182'

Group: **SG7** Status: D Max. Occ.: 1 Order currency

Used according to agreement between concerned parties.

Segment: **CUX** Seq. No.: 15 Level: 1 **Currencies**
 Status: M Max. Occ.: 1
 Counter: 0300

Name: Currencies

UN/EDIFACT			Implementation	
	Name	St Format	St Format	Use / Remarks
CUX				
C504	Currency details	C	R	
6347	Currency usage code qualifier	M an..3	M an1	2 Reference currency
6345	Currency identification code	C an..3	R an3	Order currency ISO 4217 three alpha code
6343	Currency type code qualifier	C an..3	R an1	9 Order currency
6348	Currency rate	C n..4	N	not used
C504	Currency details	C	N	not used
6347	Currency usage code qualifier	M an..3	N	not used
6345	Currency identification code	C an..3	N	not used
6343	Currency type code qualifier	C an..3	N	not used
6348	Currency rate	C n..4	N	not used
5402	Currency exchange rate	C n..12	N	not used

Remark:

Example:

CUX+2 : USD : 9 '

Group: **SG12** Status: D Max. Occ.: 1 Terms of delivery or transport
 Used according to agreement between concerned parties.

Segment: **TOD** Seq. No.: 16 Level: 1 Terms of delivery or transport
 Status: M Max. Occ.: 1
 Counter: 0470

Name: Terms of delivery or transport

UN/EDIFACT			Implementation		
	Name	St Format	St Format	Use / Remarks	
TOD					
4055	Delivery or transport terms function code	C an..3	N	not used	
4215	Transport charges payment method code	C an..3	N	not used	
C100	Terms of delivery or transport	C	R		
4053	Delivery or transport terms description code	C an..3	N	not used	
1131	Code list identification code	C an..17	N	not used	
3055	Code list responsible agency code	C an..3	N	not used	
4052	Delivery or transport terms description	C an..70	D an..70	9A 9 A.M. AC Air Cargo AM A.M. CG Ground CX Express Service ES Expedited Service G2 Standard Service GT Tracking - Ground IE Expedited Service - Worldwide IX Express Service - Worldwide ND Next Day Air Delivery during day hours of next business day NM Next Morning ON Overnight SA Same Day SC Second Day Air Delivery during day hours no later than 2nd business day SD Saturday SE Second Day SG Standard Ground SH Second Day Hundred Weight SI Standard Ground Hundred Weight SM Second Morning	

Remark:

Example:

TOD+++CG'

Group: **SG28** Status: R Max. Occ.: 999 Ordered Article

Segment: **LIN** Seq. No.: 17 Level: 1 **Line item**
 Status: M Max. Occ.: 1
 Counter: 1040

Name: Line item

UN/EDIFACT		Implementation		
	Name	St Format	St Format	Use / Remarks
LIN				
1082	Line item identifier	C an..6	D an..6	Line Item Number
1229	Action request/notification description code	C an..3	N	not used
C212	Item number identification	C	R	
7140	Item identifier	C an..35	R an..35	Buyer's article number
7143	Item type identification code	C an..3	R an..2	IN Buyer's item number
1131	Code list identification code	C an..17	N	not used
3055	Code list responsible agency code	C an..3	N	not used
C829	Sub-line information	C	N	not used
5495	Sub-line indicator code	C an..3	N	not used
1082	Line item identifier	C an..6	N	not used
1222	Configuration level number	C n..2	N	not used
7083	Configuration operation code	C an..3	N	not used

Remark:

Example:

LIN+00001++PNSPP1060626E:IN'

Group: **SG28** Status: R Max. Occ.: 999 Ordered Article

Segment: **PIA** Seq. No.: 18 Level: 2 **Additional product id**
 Status: D Max. Occ.: 1
 Counter: 1050

Name: Additional product id

UN/EDIFACT			Implementation	
	Name	St Format	St Format	Use / Remarks
PIA				
4347	Product identifier code qualifier	M an..3	M an1	1 Additional identification
C212	Item number identification	M	M	
7140	Item identifier	C an..35	R an..35	Supplier's article number
7143	Item type identification code	C an..3	R an2	SA Supplier's article number
1131	Code list identification code	C an..17	N	not used
3055	Code list responsible agency code	C an..3	N	not used
C212	Item number identification	C	N	not used
7140	Item identifier	C an..35	N	not used
C212	Item number identification	C	N	not used
7140	Item identifier	C an..35	N	not used
C212	Item number identification	C	N	not used
7140	Item identifier	C an..35	N	not used
7143	Item type identification code	C an..3	N	not used
1131	Code list identification code	C an..17	N	not used
3055	Code list responsible agency code	C an..3	N	not used
C212	Item number identification	C	N	not used
7140	Item identifier	C an..35	N	not used
7143	Item type identification code	C an..3	N	not used
1131	Code list identification code	C an..17	N	not used
3055	Code list responsible agency code	C an..3	N	not used

Remark:

Used according to agreement between concerned parties.

Example:

PIA+1+PP106062 6E:SA'

Group: **SG28** Status: R Max. Occ.: 999 Ordered Article

Segment: **IMD** Seq. No.: 19 Level: 2 **Item description**
 Status: D Max. Occ.: 1
 Counter: 1060

Name: **Item description**

UN/EDIFACT			Implementation	
	Name	St Format	St Format	Use / Remarks
IMD				
7077	Description format code	C an..3	R an1	F Free-form
C272	Item characteristic	C	N	not used
7081	Item characteristic code	C an..3	N	not used
C273	Item description	C	R	
7009	Item description code	C an..17	N	not used
1131	Code list identification code	C an..17	N	not used
3055	Code list responsible agency code	C an..3	N	not used
7008	Item description	C an..256	R an..48	
7008	Item description	C an..256	N	not used
3453	Language name code	C an..3	N	not used
7383	Surface or layer code	C an..3	N	not used

Remark:

Used according to agreement between concerned parties.

Example:

IMD+F+++:::RADIO,AM/FM CD PLA'

Group: **SG28** Status: R Max. Occ.: 999 Ordered Article

Segment: **QTY** Seq. No.: 20 Level: 2 **Quantity**
 Status: D Max. Occ.: 1
 Counter: 1080

Name: Quantity

UN/EDIFACT			Implementation	
	Name	St Format	St Format	Use / Remarks
QTY				
C186	Quantity details	M	M	
6063	Quantity type code qualifier	M an..3	M an..2	21 Ordered quantity
6060	Quantity	M an..35	M n..15	
6411	Measurement unit code	C an..8	D an..3	Code specifying the unit of measurement. UN/ECE recommendation 20, Common code. Default value is C62.

Remark:

Example:

QTY+21:6:C62'

Group: **SG28** Status: R Max. Occ.: 999 Ordered Article

Group: **SG32** Status: D Max. Occ.: 1 Item price

Used according to agreement between concerned parties.

Segment: **PRI** Seq. No.: 21 Level: 2 **Price details**
 Status: R Max. Occ.: 1
 Counter: 1330

Name: Price details

UN/EDIFACT			Implementation	
	Name	St Format	St Format	Use / Remarks
PRI				
C509	Price information	C	R	
5125	Price code qualifier	M an..3	M an..3	
5118	Price amount	C n..15	R n..15	Item Price
5375	Price type code	C an..3	N	not used
5387	Price specification code	C an..3	N	not used
5284	Unit price basis quantity	C n..9	D n..4	The quantity multipel of the given price Valid values: 1, 100, 1000
6411	Measurement unit code	C an..8	N	not used
5213	Sub-line item price change operation code	C an..3	N	not used

Remark:

Example:

PRI+AAB:69.60:::1'

Segment:

UNS

Seq. No.: 22 Level: 0
 Status: M Max. Occ.: 1
 Counter: 2330

Section control

Name: Section control

UN/EDIFACT			Implementation	
	Name	St Format	St Format	Use / Remarks
UNS				
0081	Section identification	M a1	M a1	S Detail/summary section separation

Remark:

Example:

UNS+S '

Segment:

UNT

Seq. No.: 23 Level: 0
 Status: M Max. Occ.: 1
 Counter: 2400

Message trailer

Name: Message trailer

UN/EDIFACT		Implementation		
	Name	St Format	St Format	Use / Remarks
UNT				
0074	Number of segments in the message	M n..6	M n..6	Number of segments in the message
0062	Message reference number	M an..14	M an..14	

Remark:

Example:

UNT+23+123456'