



Message Specification

VOLVO DEALER SHIP DIRECT 855 4050

Based on:

855

Purchase Order Acknowledgment

X12 004050

Version: 1.0
Issue date: 2018-02-09
Author: Volvo Group IT

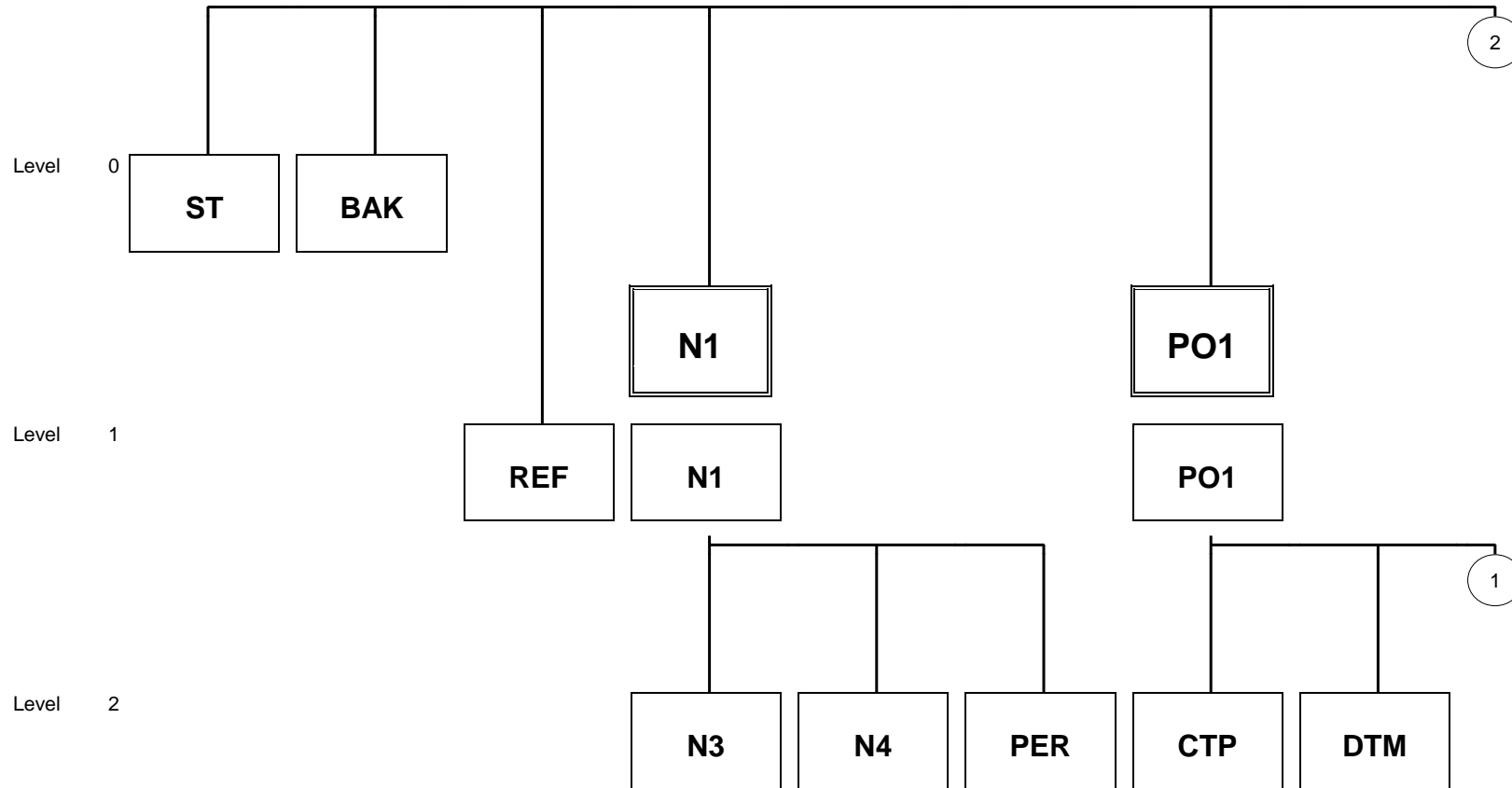
Message Structure

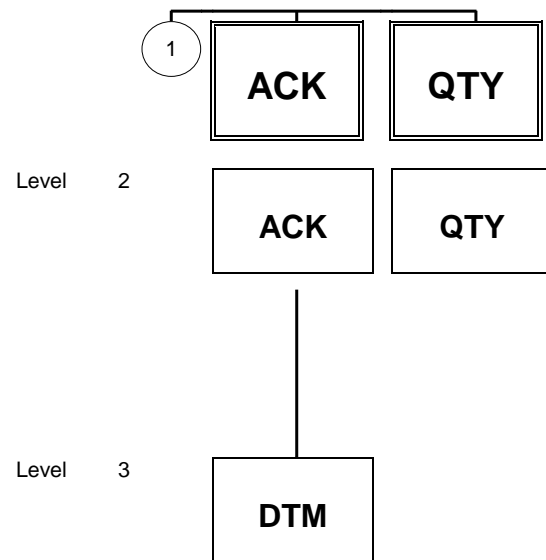
Counter	No	Tag	St	MaxOcc	Level	Content
0100	1	ST	M	1	0	Transaction Set Header
0200	2	BAK	M	1	0	Beginning Segment for Purchase Order Acknowledgment
0500	3	REF	D	1	1	Dealer purchase order number
3000		N1	R	1	1	Buyer
3000	4	N1	M	1	1	Party Identification
3200	5	N3	O	1	2	Party Location
3300	6	N4	R	1	2	Geographic Location
3500	7	PER	O	3	2	Administrative Communications Contact
3000		N1	D	1	1	Bill-to-Party
3000	8	N1	M	1	1	Party Identification
3200	9	N3	O	1	2	Party Location
3300	10	N4	R	1	2	Geographic Location
3000		N1	R	1	1	Selling Party
3000	11	N1	M	1	1	Party Identification
3200	12	N3	O	1	2	Party Location
3300	13	N4	R	1	2	Geographic Location
3500	14	PER	O	3	2	Administrative Communications Contact
3000		N1	R	1	1	Ship To
3000	15	N1	M	1	1	Party Identification
3200	16	N3	O	1	2	Party Location
3300	17	N4	R	1	2	Geographic Location
0100		PO1	D	999	1	PO1-CTP-DTM-ACK-QTY
0100	18	PO1	M	1	1	Baseline Item Data
0400	19	CTP	D	1	2	Pricing Information
2000	20	DTM	D	1	2	Date/Time Reference
2700		ACK	R	8	2	ACK-DTM
2700	21	ACK	M	1	2	Line Item Acknowledgment
2800	22	DTM	D	1	3	Date/Time Reference
3000		QTY	D	1	2	Backorder quantity
3000	23	QTY	M	1	2	Quantity Information
0100		CTT	O	1	1	CTT
0100	24	CTT	M	1	1	Transaction Totals
0300	25	SE	M	1	0	Transaction Set Trailer

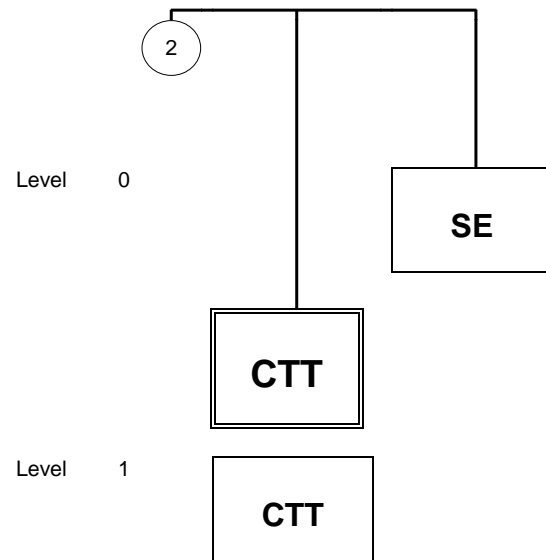
Counter = Counter of segment/group within the standard
 No = Consecutive segment number
 MaxOcc = Maximum occurrence of the segment/group

St = Status
 Standard: M=Mandatory, C=Conditional
 User specific: R=Required, O=Optional, D=Dependent,
 A=Advised, N=Not used

Branching Diagram of Used Segments/Groups







Segment:

ST

Seq. No.: 1 Level: 0
 Status: M Max. Occ.: 1
 Counter: 0100

Transaction Set Header

Name: Transaction Set Header

UN/EDIFACT			Implementation	
	Name	St Format	St Format	Use / Remarks
ST				
143	Transaction Set Identifier Code	M ID 3/3	M ID 3/3	Code uniquely identifying a Transaction Set 855 Purchase Order Acknowledgment
329	Transaction Set Control Number	M AN 4/9	M AN 4/9	Identifying control number that must be unique within the transaction set functional group assigned by the originator for a transaction set

Remark:

Example:

ST*855*0001

Segment:

BAK

Seq. No.: 2 Level: 0
 Status: M Max. Occ.: 1
 Counter: 0200

Beginning Segment for Purchase Order Acknowledgment

Name: Beginning Segment for Purchase Order Acknowledgment

UN/EDIFACT			Implementation	
	Name	St Format	St Format	Use / Remarks
BAK				
353	Transaction Set Purpose Code	M ID 2/2	M ID 2/2	11 Response
587	Acknowledgment Type	M ID 2/2	M ID 2/2	AE Acknowledge - With Exception Detail Only AT Accepted RJ Rejected - No Detail AE - used when there is any kind of deviation from normal as for example: Back order, Price error, Substituted part, etc.
324	Purchase Order Number	M AN 1/22	M AN 1/22	Order Number
373	Date	M DT 8/8	M DT 8/8	
328	Release Number	O AN 1/30	N	not used

Remark:

Example:

BAK*11*AE*5372D-45962*20160210

Segment:

REF

Seq. No.: 3 Level: 1
 Status: D Max. Occ.: 1
 Counter: 0500

Reference Information

Name: Dealer purchase order number

UN/EDIFACT			Implementation	
	Name	St Format	St Format	Use / Remarks
REF				
128	Reference Identification Qualifier	M ID 2/3	M ID 2/2	DC Dealer purchase order number E.g. Original purchase order
127	Reference Identification	C AN 1/50	R AN 1/50	

Remark:

Used according to agreement between concerned parties.

Example:

REF*DC*OP08058

Group: **N1** Status: R Max. Occ.: 1 Buyer

Segment: **N1** Seq. No.: 4 Level: 1 **Party Identification**
 Status: M Max. Occ.: 1
 Counter: 3000

Name: **Party Identification**

UN/EDIFACT			Implementation	
	Name	St Format	St Format	Use / Remarks
N1				
98	Entity Identifier Code	M ID 2/3	M ID 2/2	BY Buying Party (Purchaser)
93	Name	C AN 1/60	R AN 1/60	
66	Identification Code Qualifier	C ID 1/2	R ID 1/2	92 Assigned by Buyer or Buyer's Agent
67	Identification Code	C AN 2/80	R AN 2/35	

Remark:

Example:

N1*BY*VOLVO TRUCKS NA INC*92*24814

Group: **N1** Status: R Max. Occ.: 1 Buyer

Segment: **N3** Seq. No.: 5 Level: 2 **Party Location**
 Status: O Max. Occ.: 1
 Counter: 3200

Name: Party Location

UN/EDIFACT		Implementation		
	Name	St Format	St Format	Use / Remarks
N3				
166	Address Information	M AN 1/55	M AN 1/55	
166	Address Information	O AN 1/55	N	not used

Remark:

Example:

N3*7900 NATIONAL SERVICE RD

Group: **N1** Status: R Max. Occ.: 1 Buyer

Segment: **N4** Seq. No.: 6 Level: 2 **Geographic Location**
 Status: R Max. Occ.: 1
 Counter: 3300

Name: **Geographic Location**

UN/EDIFACT		Implementation		
	Name	St Format	St Format	Use / Remarks
N4				
19	City Name	O AN 2/30	R AN 2/30	
156	State or Province Code	C ID 2/2	O ID 2/2	
116	Postal Code	O ID 3/15	R ID 3/15	
26	Country Code	C ID 2/3	R ID 2/2	

Remark:

Example:

N4*GREENSBORO*NC*27409*US

Group: **N1** Status: R Max. Occ.: 1 Buyer

Segment: **PER** Seq. No.: 7 Level: 2 **Administrative Communications Contact**
 Status: O Max. Occ.: 3
 Counter: 3500

Name: **Administrative Communications Contact**

UN/EDIFACT			Implementation	
	Name	St Format	St Format	Use / Remarks
PER				
366	Contact Function Code	M ID 2/2	M ID 2/2	BD Buyer Name or Department
93	Name	O AN 1/60	R AN 1/35	
365	Communication Number Qualifier	C ID 2/2	C ID 2/2	EM Electronic Mail
364	Communication Number	C AN 1/25	C AN 1/70	
365	Communication Number Qualifier	C ID 2/2	C ID 2/2	TE Telephone
364	Communication Number	C AN 1/25	C AN 1/70	
365	Communication Number Qualifier	C ID 2/2	C ID 2/2	FX Facsimile
364	Communication Number	C AN 1/25	C AN 1/70	

Remark:

Example:

PER*BD*BOB SNYDER*EM*BOB.SNYDER@VOLVO.COM

Group: **N1** Status: D Max. Occ.: 1 Bill-to-Party

Segment: **N1** Seq. No.: 8 Level: 1 **Party Identification**
 Status: M Max. Occ.: 1
 Counter: 3000

Name: **Party Identification**

UN/EDIFACT			Implementation	
	Name	St Format	St Format	Use / Remarks
N1				
98	Entity Identifier Code	M ID 2/3	M ID2/2	BT Bill-to-Party
93	Name	C AN 1/60	R AN 1/60	
66	Identification Code Qualifier	C ID 1/2	R ID 1/2	92 Assigned by Buyer or Buyer's Agent
67	Identification Code	C AN 2/80	R AN 2/35	

Remark:

Example:

N1*BT*VOLVO TRUCKS INC*92*4173

Group: **N1** Status: D Max. Occ.: 1 Bill-to-Party

Segment: **N3** Seq. No.: 9 Level: 2 **Party Location**
 Status: O Max. Occ.: 1
 Counter: 3200

Name: Party Location

UN/EDIFACT			Implementation	
	Name	St Format	St Format	Use / Remarks
N3				
166	Address Information	M AN 1/55	M AN 1/55	
166	Address Information	O AN 1/55	N	not used

Remark:

Example:

N3*7900 NATIONAL SERVICE RD

Group: **N1** Status: D Max. Occ.: 1 Bill-to-Party

Segment: **N4** Seq. No.: 10 Level: 2 **Geographic Location**
 Status: R Max. Occ.: 1
 Counter: 3300

Name: **Geographic Location**

UN/EDIFACT		Implementation		
	Name	St Format	St Format	Use / Remarks
N4				
19	City Name	O AN 2/30	R AN 2/30	
156	State or Province Code	C ID 2/2	O ID 2/2	
116	Postal Code	O ID 3/15	R ID 3/15	
26	Country Code	C ID 2/3	R ID 2/2	

Remark:

Example:

N4*GREENSBORO*NC*27409*US

Group: **N1** Status: R Max. Occ.: 1 Selling Party

Segment: **N1** Seq. No.: 11 Level: 1 **Party Identification**
 Status: M Max. Occ.: 1
 Counter: 3000

Name: **Party Identification**

UN/EDIFACT			Implementation	
	Name	St Format	St Format	Use / Remarks
N1				
98	Entity Identifier Code	M ID 2/3	M ID 2/2	SE Selling Party
93	Name	C AN 1/60	R AN 1/60	
66	Identification Code Qualifier	C ID 1/2	R ID 1/2	92 Assigned by Buyer or Buyer's Agent
67	Identification Code	C AN 2/80	R AN 2/35	

Remark:

Example:

N1*SE*PANA-PACIFIC CORP*92*51144

Group: **N1** Status: R Max. Occ.: 1 Selling Party

Segment: **N3** Seq. No.: 12 Level: 2 **Party Location**
 Status: O Max. Occ.: 1
 Counter: 3200

Name: Party Location

UN/EDIFACT			Implementation	
	Name	St Format	St Format	Use / Remarks
N3				
166	Address Information	M AN 1/55	M AN 1/55	
166	Address Information	O AN 1/55	N	not used

Remark:

Example:

N3*80 VANESS DR

Group: **N1** Status: R Max. Occ.: 1 Selling Party

Segment: **N4** Seq. No.: 13 Level: 2 **Geographic Location**
 Status: R Max. Occ.: 1
 Counter: 3300

Name: **Geographic Location**

UN/EDIFACT		Implementation		
	Name	St Format	St Format	Use / Remarks
N4				
19	City Name	O AN 2/30	R AN 2/30	
156	State or Province Code	C ID 2/2	O ID 2/2	
116	Postal Code	O ID 3/15	R ID 3/15	
26	Country Code	C ID 2/3	R ID 2/2	

Remark:

Example:

N4*ENCINO*CA*93721*US

Group: **N1** Status: R Max. Occ.: 1 Selling Party

Segment: **PER** Seq. No.: 14 Level: 2 **Administrative Communications Contact**
 Status: O Max. Occ.: 3
 Counter: 3500

Name: **Administrative Communications Contact**

UN/EDIFACT			Implementation	
	Name	St Format	St Format	Use / Remarks
PER				
366	Contact Function Code	M ID 2/2	M ID 2/2	SU Supplier Contact
93	Name	O AN 1/60	R AN 1/35	
365	Communication Number Qualifier	C ID 2/2	C ID 2/2	EM Electronic Mail
364	Communication Number	C AN 1/25	C AN 1/70	
365	Communication Number Qualifier	C ID 2/2	C ID 2/2	TE Telephone
364	Communication Number	C AN 1/25	C AN 1/70	
365	Communication Number Qualifier	C ID 2/2	C ID 2/2	FX Facsimile
364	Communication Number	C AN 1/25	C AN 1/70	

Remark:

Example:

PER*SU*NAME*EM*NAME.LASTNAME@COMPANY.COM

Group: **N1** Status: R Max. Occ.: 1 Ship To

Segment: **N1** Seq. No.: 15 Level: 1 **Party Identification**
 Status: M Max. Occ.: 1
 Counter: 3000

Name: **Party Identification**

UN/EDIFACT			Implementation	
	Name	St Format	St Format	Use / Remarks
N1				
98	Entity Identifier Code	M ID 2/3	M ID 2/2	ST Ship To
93	Name	C AN 1/60	R AN 1/60	
66	Identification Code Qualifier	C ID 1/2	R ID 1/2	92 Assigned by Buyer or Buyer's Agent
67	Identification Code	C AN 2/80	R AN 2/35	

Remark:

Example:

N1*ST*WORLDWIDE EQUIPMENT OF TN, INC*92*5372D

Group: **N1** Status: R Max. Occ.: 1 Ship To

Segment: **N3** Seq. No.: 16 Level: 2 **Party Location**
 Status: O Max. Occ.: 1
 Counter: 3200

Name: Party Location

UN/EDIFACT		Implementation		
	Name	St Format	St Format	Use / Remarks
N3				
166	Address Information	M AN 1/55	M AN 1/55	
166	Address Information	O AN 1/55	N	not used

Remark:

Example:

N3*2017 EAST 23RD STREET

Group: **N1** Status: R Max. Occ.: 1 Ship To

Segment: **N4** Seq. No.: 17 Level: 2 **Geographic Location**
 Status: R Max. Occ.: 1
 Counter: 3300

Name: **Geographic Location**

UN/EDIFACT		Implementation		
	Name	St Format	St Format	Use / Remarks
N4				
19	City Name	O AN 2/30	R AN 2/30	
156	State or Province Code	C ID 2/2	C ID 2/2	
116	Postal Code	O ID 3/15	R ID 3/15	
26	Country Code	C ID 2/3	R ID 2/2	

Remark:

Example:

N4*CHATTANOOGA*TN*37404*US

Group: **PO1** Status: D Max. Occ.: 999 PO1-CTP-DTM-ACK-QTY

Segment: **PO1** Seq. No.: 18 Level: 1 **Baseline Item Data**
 Status: M Max. Occ.: 1
 Counter: 0100

Name: **Baseline Item Data**

UN/EDIFACT			Implementation		
	Name	St Format	St Format	Use / Remarks	
PO1					
350	Assigned Identification	O AN 1/20	D AN 1/6	Line ID	
380	Quantity	C R 1/15	D R 1/15	Ordered Quantity	
355	Unit or Basis for Measurement Code	O ID 2/2	O ID 2/2	CN Can CR Cubic Meter DM Decimeter DR Drum EA Each FT Foot GA Gallon GR Gram HU Hundred KG Kilogram KT Kit LB Pound LT Liter ML Milliliter MM Millimeter MR Meter OZ Ounce - Av PK Package PR Pair PT Pint QT Quart SC Square Centimeter SM Square Meter T3 Thousand Pieces If no unit code is given the default value is EA for each/pieces	
212	Unit Price	C R 1/17	D R 1/15		
639	Basis of Unit Price Code	O ID 2/2	O ID 2/2	The quantity multipel of the given price HP Price per Hundred PE Price per Each TP Price per Thousand	
235	Product/Service ID Qualifier	C ID 2/2	R ID 2/2	BP Buyer's Part Number	
234	Product/Service ID	C AN 1/48	R AN 1/35		
235	Product/Service ID Qualifier	C ID 2/2	D ID 2/2	VP Vendor's (Seller's) Part Number	
234	Product/Service ID	C AN 1/48	D AN 1/35		
235	Product/Service ID Qualifier	C ID 2/2	D ID 2/2	PD Part Number Description	
234	Product/Service ID	C AN 1/48	D AN 1/35		

Remark:

Example:

PO1*00001*6*EA*69.60*PE*BP*PNSPP1060626E*VP*PP106062 6E*PD*RADIO,AM/FM CD PLA

Group: **PO1** Status: D Max. Occ.: 999 PO1-CTP-DTM-ACK-QTY

Segment: **CTP** Seq. No.: 19 Level: 2 Pricing Information
 Status: D Max. Occ.: 1
 Counter: 0400

Name: Pricing Information

UN/EDIFACT			Implementation	
	Name	St Format	St Format	Use / Remarks
CTP				
687	Class of Trade Code	O ID 2/2	N	not used
236	Price Identifier Code	C ID 3/3	D ID 3/3	CHG Changed Price (Subject to Price Adjustment) This data element is only used if there is a price change.
212	Unit Price	C R 1/17	D R 1/15	"NEW" OR "CHANGED" PRICE; INCLUDE 2-ASSUMED DECIMAL PLACES (E.G. \$20.30 = 2030) This data element is only used if there is a price change.
380	Quantity	C R 1/15	N	not used
C001	Composite Unit of Measure	C	N	not used
355	Unit or Basis for Measurement Code	M ID 2/2	N	not used
1018	Exponent	O R 1/15	N	not used
649	Multiplier	O R 1/10	N	not used
355	Unit or Basis for Measurement Code	O ID 2/2	N	not used
1018	Exponent	O R 1/15	N	not used
649	Multiplier	O R 1/10	N	not used
355	Unit or Basis for Measurement Code	O ID 2/2	N	not used
1018	Exponent	O R 1/15	N	not used
649	Multiplier	O R 1/10	N	not used
355	Unit or Basis for Measurement Code	O ID 2/2	N	not used
1018	Exponent	O R 1/15	N	not used
649	Multiplier	O R 1/10	N	not used
355	Unit or Basis for Measurement Code	O ID 2/2	N	not used
1018	Exponent	O R 1/15	N	not used
649	Multiplier	O R 1/10	N	not used
648	Price Multiplier Qualifier	O ID 3/3	N	not used
649	Multiplier	C R 1/10	N	not used
782	Monetary Amount	O R 1/18	N	not used
639	Basis of Unit Price Code	O ID 2/2	R ID 2/2	ST Standard (Calculation Gross)

Remark:

Example:

CTP**CHG*80.60*****ST

Group: **PO1** Status: D Max. Occ.: 999 PO1-CTP-DTM-ACK-QTY

Segment: **DTM** Seq. No.: 20 Level: 2 **Date/Time Reference**
 Status: D Max. Occ.: 1
 Counter: 2000

Name: **Date/Time Reference**

UN/EDIFACT			Implementation	
	Name	St Format	St Format	Use / Remarks
DTM				
374	Date/Time Qualifier	M ID 3/3	M ID 3/3	068 Current Schedule Ship
373	Date	C DT 8/8	R DT 8/8	
337	Time	C TM 4/8	C TM 4/6	

Remark:

To specify date (and times if required) relevant to the delivery or pick up of goods.
 Scheduled date for delivery of non backorder material

Example:

DTM*068*20160211

Group: **PO1** Status: D Max. Occ.: 999 PO1-CTP-DTM-ACK-QTY

Group: **ACK** Status: R Max. Occ.: 8 ACK-DTM

In case of multiple changes the ACK segment shall be repeated to provide the valid change codes (in ACK.668).

Segment: **ACK** Seq. No.: 21 Level: 2 **Line Item Acknowledgment**
 Status: M Max. Occ.: 1
 Counter: 2700

Name: **Line Item Acknowledgment**

UN/EDIFACT			Implementation	
	Name	St Format	St Format	Use / Remarks
ACK 668	Line Item Status Code	M ID 2/2	M ID 2/2	AC Item Accepted and Shipped Code AC to be used whenever a change is done to the order line IA Item Accepted IB Item Backordered IC Item Accepted - Changes Made Code IC used for consolidation for another part in the order IR Item Rejected IP Item Accepted - Price Changed IQ Item Accepted - Quantity Changed IS Item Accepted - Substitution Made Codes used according to agreement between concerned parties.
380	Quantity	C R 1/15	D R 1/15	Total delivery quantity, or the quantity related to the ACK.668 qualifier
355	Unit or Basis for Measurement Code	C ID 2/2	C ID 2/2	CN Can CR Cubic Meter DM Decimeter DR Drum EA Each FT Foot GA Gallon GR Gram HU Hundred KG Kilogram KT Kit LB Pound LT Liter ML Milliliter MM Millimeter MR Meter OZ Ounce - Av PK Package PR Pair PT Pint QT Quart SC Square Centimeter SM Square Meter T3 Thousand Pieces If no unit code is given the default value is EA for each/pieces
374	Date/Time Qualifier	O ID 3/3	N	not used
373	Date	C DT 8/8	N	not used
326	Request Reference Number	O AN 1/45	N	not used
235	Product/Service ID Qualifier	C ID 2/2	C ID 2/2	SS Superseded Part Number SS IS USED IF PART NUMBER IS PERMANENTLY REPLACED (I.E. USE RP FOR "ONE-TIME" OR "TEMPORARY" PART NUMBER REPLACEMENT) RP Replaced Part Number RP IS USED IF PART NUMBER IS A "ONE-TIME" OR "TEMPORARY" PART REPLACEMENT (I.E. USE SS FOR A "PERMANENTLY REPLACED" PART NUMBER

UN/EDIFACT			Implementation	
	Name	St Format	St Format	Use / Remarks
234	Product/Service ID	C AN 1/48	C AN 1/35	

Remark:**Example:**

ACK*IS*6*EA****RP*FNSPP1060626A

Group: **PO1** Status: D Max. Occ.: 999 PO1-CTP-DTM-ACK-QTY

Group: **ACK** Status: R Max. Occ.: 8 ACK-DTM

In case of multiple changes the ACK segment shall be repeated to provide the valid change codes (in ACK.668).

Segment: **DTM** Seq. No.: 22 Level: 3 **Date/Time Reference**
 Status: D Max. Occ.: 1
 Counter: 2800

Name: **Date/Time Reference**

UN/EDIFACT			Implementation	
	Name	St Format	St Format	Use / Remarks
DTM				
374	Date/Time Qualifier	M ID 3/3	M ID 3/3	017 Estimated Delivery
373	Date	C DT 8/8	R DT 8/8	
337	Time	C TM 4/8	C TM 4/6	

Remark:

Estimated date for backorder deliveries.
 Only to be used when segment QTY, data element 673 = BQ (Backorder Quantity).

Example:

DTM*017*20160212

Group: **PO1** Status: D Max. Occ.: 999 PO1-CTP-DTM-ACK-QTY

Group: **QTY** Status: D Max. Occ.: 1 Backorder quantity

Used if segment DTM, data element 374 = 017 (Estimated Delivery).

Segment: **QTY** Seq. No.: 23 Level: 2 **Quantity Information**
 Status: M Max. Occ.: 1
 Counter: 3000

Name: **Quantity Information**

UN/EDIFACT			Implementation	
	Name	St Format	St Format	Use / Remarks
QTY				
673	Quantity Qualifier	M ID 2/2	M ID 2/2	BQ Backorder Quantity
380	Quantity	C R 1/15	R R 1/15	
C001	Composite Unit of Measure	O	O	
355	Unit or Basis for Measurement Code	M ID 2/2	M ID 2/2	If no unit code is given the default value is EA for pieces CN Can CR Cubic Meter DM Decimeter DR Drum EA Each FT Foot GA Gallon GR Gram HU Hundred KG Kilogram KT Kit LB Pound LT Liter ML Milliliter MM Millimeter MR Meter OZ Ounce - Av PK Package PR Pair PT Pint QT Quart SC Square Centimeter SM Square Meter T3 Thousand Pieces If no unit code is given the default value is EA for each/pieces

Remark:

Example:

QTY*BQ*2*EA

Group: CTT Status: O Max. Occ.: 1 CTT

Segment: CTT Seq. No.: 24 Level: 1 **Transaction Totals**
 Status: M Max. Occ.: 1
 Counter: 0100

Name: Transaction Totals

UN/EDIFACT			Implementation	
	Name	St Format	St Format	Use / Remarks
CTT				
354	Number of Line Items	M N0 1/6	M N0 1/6	
347	Hash Total	O R 1/10	O R 1/10	

Remark:

Example:

CTT*1*6

Segment:

SE

Seq. No.: 25 Level: 0
 Status: M Max. Occ.: 1
 Counter: 0300

Transaction Set Trailer

Name: Transaction Set Trailer

UN/EDIFACT		Implementation		
	Name	St Format	St Format	Use / Remarks
SE				
96	Number of Included Segments	M N0 1/10	M N0 1/10	
329	Transaction Set Control Number	M AN 4/9	M AN 4/9	

Remark:

Example:

SE*16*0001