



EDI Implementation Documentation

Truck shop Order response

based on

ORDRSP

Purchase order response message

UN D.03A

Version 1.1
Issue date 2008-12-17

Detailed guidelines of the order response message within Volvo for Truck Shop

General

This document describes Volvo's application of the EDIFACT message for purchase order response (ORDRSP).

The specification offers a detailed description of those data elements which will be used including recommended code listings.

The basis of the application is the EDIFACT message entitled ORDRSP version D.03A

The scope of the ORDRSP message are specific for the Volvo Truck Shop program.

Relations to other messages:

ORDERS message can ask supplier for an order response. Such response is performed by order response message ORDRSP. The response is dependent of commercial agreement between Volvo and the supplier

Message usage:

It is important in all communication that buyer's and sellers prime references must be given. This to allow automatic processing in the order cycle, without any unnecessary manual intervention.

The purpose and the basic function of the message

The purpose of purchase order response is to provide the Volvo with essential information involved in the purchase of goods to be delivered to a dealership or to any other location defined by the dealer.

The Order Response will give us information about the status of a given order.

Main status codes:

Not accepted

The complete order is rejected by supplier for reasons described in the segment group 2 (AJT-FTX). If the error has nothing to do with a specific line item, the line items does not need be part of the Order Response.

Accepted without amendment

Only used when Order explicitly ask for an Order response by using code AC in BGM 4343 When and Order is accepted without amendment, the order lines(details section) is not needed. They can be provided if the supplier prefers to, but will not be read by Volvo.

Accepted, with amendment in detail section

The Order is accepted with amendment. The order line in question must be included together with the information about the amendment. The order lines that are correct are supposed to be expedited.

- 28 = See separate advice**
The FTX segment can be used to provide the information about the problem unless the other error code does not cover the error.
- 33 = Late delivery**
Same as a backorder. The deliverable quantity together with the missing quantity and estimated ship date must be provided.
- 49 = Substitute product**
If a substitute part can be shipped is dependent on the commercial agreement made with Volvo Truck shop.
- 51 = Required data missing**
When data is missing from the order or when part number is not recognized.
- 57 = Price change**
The given price in order does not match supplier price.
- Expired part**
If part does not have a substitute use code **51** otherwise use code **49**

Status codes (St)

EDIFACT standard definition

- M** = Mandatory
- C** = Conditional

Volvo standard definition

- R** = Required
- D** = Dependent
- O** = Optional
- N** = Not used

Revisions

Date	Issued by	Revision	Remarks
2007-05-30	Volvo IT 9642	1	First published revision
2008-12-18	Volvo IT 9659	1.1	The following minor modifications have been introduced: <ul style="list-style-type: none">• Conditions for occurrence of certain elements have been changed• Editorial improvements of explanations and comments

TRUCK SHOP ORDER RESPONSE

UN/EDIFACT Message: Structure / Table of contents

Counter	No.	Tag	St	Rep	Content
	0010	01 UNH	M	1	Message header
	0020	02 BGM	M	1	Beginning of message
	0030	03 DTM	M	1	Date/time/period
	0090	SG1	R	1	RFF-DTM
	0100	04 RFF	M	1	Reference
	0110	05 DTM	R	1	Date/time/period
	0120	SG2	D	1	AJT-FTX
	0130	06 AJT	M	1	Adjustment details
	0140	07 FTX	D	1	Free text
	0150	SG3	R	1	Buyer
	0160	08 NAD	M	1	Buyer
	0190	SG4	R	1	Buyer's VAT number
	0200	09 RFF	M	1	Buyer's VAT number
	0150	SG3	R	1	Invoicee
	0160	10 NAD	M	1	Invoicee
	0190	SG4	R	1	Invoicee's reference number(s)
	0200	11 RFF	M	1	Invoicee's reference number
	0150	SG3	R	1	Seller
	0160	12 NAD	M	1	Seller
	0190	SG4	R	1	Seller's reference number(s)
	0200	13 RFF	M	1	Sellers's reference number
	0150	SG3	R	1	Consignee
	0160	14 NAD	M	1	Consignee
	0150	SG3	D	1	Ultimate Consignee
	0160	15 NAD	M	1	Ultimate Consignee
	0320	SG8	R	1	CUX
	0330	16 CUX	M	1	Currencies
	0970	SG26	R	20000	LIN-PIA-IMD-QTY-QTY-DTM-DTM-SG29-SG30-SG31
	0980	17 LIN	M	1	Line item
	0990	18 PIA	D	1	Additional product id
	1000	19 IMD	D	1	Item description
	1020	20 QTY	R	1	Ordered quantity
	1020	21 QTY	D	1	Backorder quantity
	1050	22 DTM	D	1	Scheduled date for delivery of non backorder material
	1050	23 DTM	D	1	Estimated date for backorder deliveries

Truck Shop Order Respons based on ORDRSP / UN D.03A S4

Document Number

5

Issue: 1

Dated: 2008-12-17

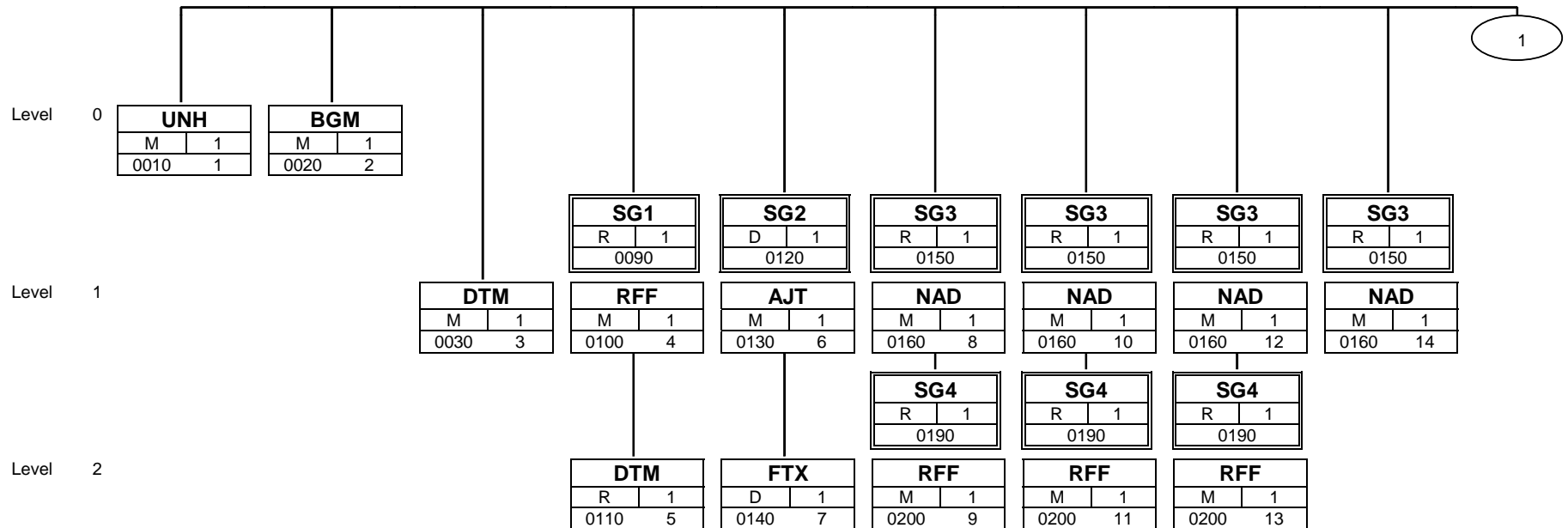
Layout: (C) GEFEG EDIFIX (R)

TRUCK SHOP ORDER RESPONSE

Counter	No.	Tag	St	Rep	Content
	1240	SG29	D	1	AJT-FTX
	1250	24 AJT	M	1	Adjustment details
	1260	25 FTX	D	1	Free text
	1270	SG30	D	1	PRI
	1280	26 PRI	M	1	Price details
	1330	SG31	R	1	RFF
	1340	27 RFF	M	1	Vips order line number
	2200	28 UNS	M	1	Section control
	2270	29 UNT	M	1	Message trailer

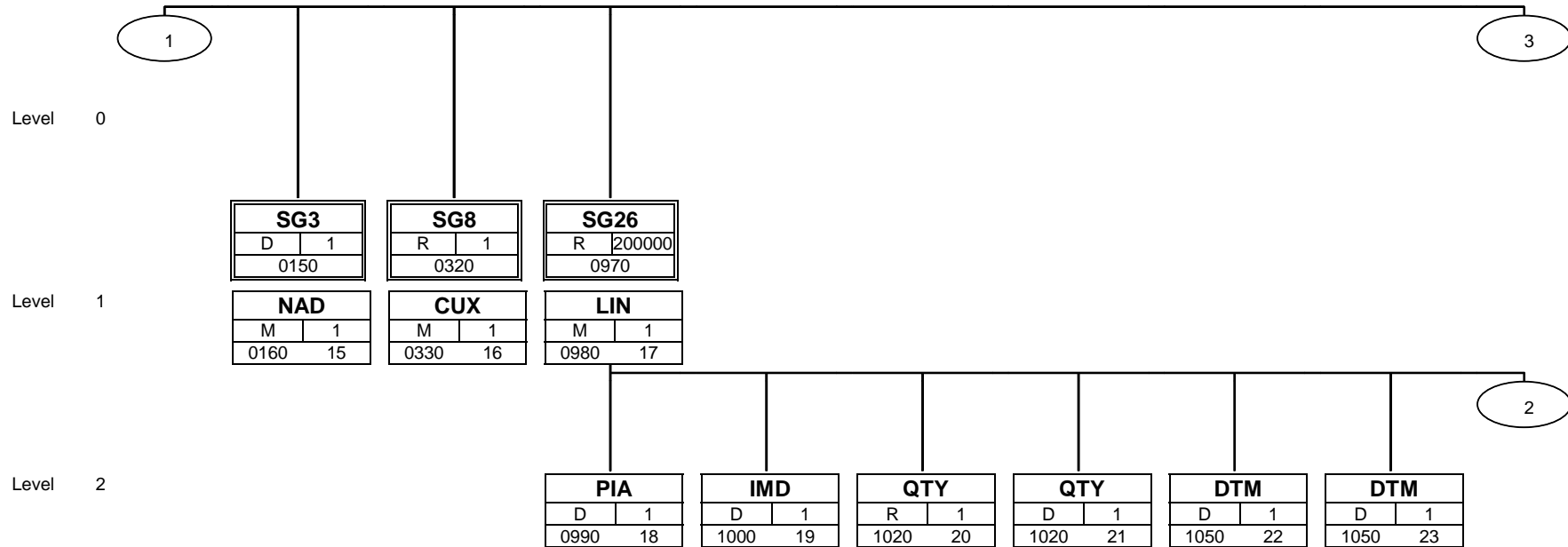
TRUCK SHOP ORDER RESPONSE

UN/EDIFACT Message: Branching diagramm of used segments and segment groups



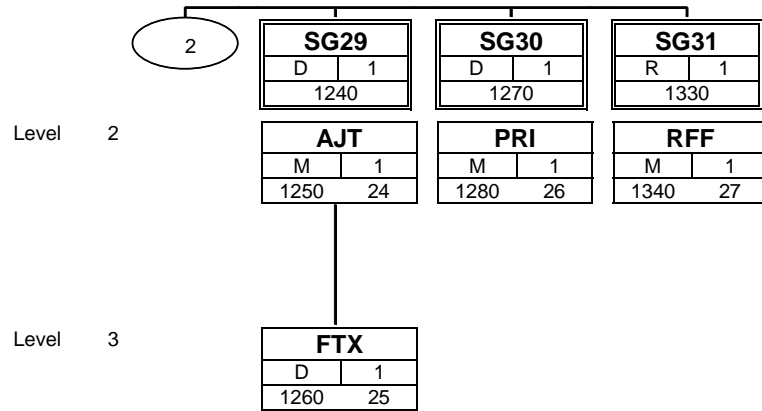
TRUCK SHOP ORDER RESPONSE

UN/EDIFACT Message: Branching diagramm of used segments and segment groups



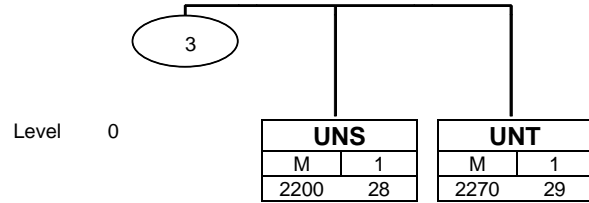
TRUCK SHOP ORDER RESPONSE

UN/EDIFACT Message: Branching diagramm of used segments and segment groups



TRUCK SHOP ORDER RESPONSE

UN/EDIFACT Message: Branching diagramm of used segments and segment groups



TRUCK SHOP ORDER RESPONSE

UN/EDIFACT Message: Segment details

Segment: **UNH** Seq. No.: 1 Level: 0 Message header
 Status: M Max. Occ.: 1
 Counter: 0010

Name: Message header

Description of segment:

UN/EDIFACT		Implementation		
	Name	St Format	St Format	Use / Remarks
UNH				
0062	Message reference number	M an..14	M an..14	
S009	Message identifier	M	M	
0065	Message type	M an..6	M an..6	ORDRSP
0052	Message version number	M an..3	M an..3	D
0054	Message release number	M an..3	M an..3	03A
0051	Controlling agency, coded	M an..3	M an..3	
				UN = UN/CEFACT
0057	Association assigned code	C an..6	N	not used
0110	Code list directory version number	C an..6	N	not used
0113	Message type sub-function identification	C an..6	N	not used
0068	Common access reference	C an..35	R an..35	TSE = Truck Shop Europe
S010	Status of the transfer	C	N	not used
0070	Sequence of transfers	M n..2	N	not used
0073	First and last transfer	C a1	N	not used
S016	Message subset identification	C	N	not used
0115	Message subset identification	M an..14	N	not used
0116	Message subset version number	C an..3	N	not used
0118	Message subset release number	C an..3	N	not used
0051	Controlling agency, coded	C an..3	N	not used
S017	Message implementation guideline identification	C	N	not used
0121	Message implementation guideline identification	M an..14	N	not used
0122	Message implementation guideline version number	C an..3	N	not used
0124	Message implementation guideline release number	C an..3	N	not used
0051	Controlling agency, coded	C an..3	N	not used
S018	Scenario identification	C	N	not used
0127	Scenario identification	M an..14	N	not used
0128	Scenario version number	C an..3	N	not used
0130	Scenario release number	C an..3	N	not used
0051	Controlling agency, coded	C an..3	N	not used

Remark:

Truck Shop Order Respons based on ORDRSP / UN D.03A S4

Document Number

12

Issue: 1

Dated: 2008-12-17

Generated by GEFEG EDIFIX®

TRUCK SHOP ORDER RESPONSE

UN/EDIFACT Message: Segment details

Example:

UNH+10045+ORDRSP:D:03A:UN+TSE'

TRUCK SHOP ORDER RESPONSE

UN/EDIFACT Message: Segment details

Segment: **BGM** Seq. No.: 2 Level: 0 **Beginning of message**
 Status: M Max. Occ.: 1
 Counter: 0020

Name: Beginning of message

Description of segment:

UN/EDIFACT			Implementation	
	Name	St Format	St Format	Use / Remarks
BGM				
C002	Document/message name	C	R	
1001	Document name code	C an..3	R an..3	
1131	Code list identification code	C an..17	N	231 = Purchase order response not used
3055	Code list responsible agency code	C an..3	N	not used
1000	Document name	C an..35	N	not used
C106	Document/message identification	C	R	
1004	Document identifier	C an..35	R an..35	Document ID
1056	Version identifier	C an..9	N	not used
1060	Revision identifier	C an..6	N	not used
1225	Message function code	C an..3	R an..3	Reason for rejection must be given in AJT in segment group 2 27 = Not accepted 29 = Accepted without amendment 30 = Accepted, with amendment in detail section
4343	Response type code	C an..3	N	not used

Remark:

Example:

BGM+231+14322+29'

TRUCK SHOP ORDER RESPONSE

UN/EDIFACT Message: Segment details

Segment: DTM
 Seq. No.: 3 Level: 1 **Date/time/period**
 Status: M Max. Occ.: 1
 Counter: 0030

Name: Date/time/period

Description of segment:

UN/EDIFACT			Implementation	
	Name	St Format	St Format	Use / Remarks
DTM				
C507	Date/time/period	M	M	
2005	Date or time or period function code qualifier	M an..3	M an..3	
2380	Date or time or period text	C an..35	M an..35	137 = Document/message date/time Date and time as the code below indicate
2379	Date or time or period format code	C an..3	M an..3	
				102 = CCYYMMDD

Remark:

Example:

DTM+137:20080430:102'

TRUCK SHOP ORDER RESPONSE

UN/EDIFACT Message: Segment details

Group: SG1 Status: R Max. Occ.: 1 RFF-DTM

Segment: RFF Seq. No.: 4 Level: 1 **Reference**
 Status: M Max. Occ.: 1
 Counter: 0100

Name: **Reference**

Description of segment:

UN/EDIFACT			Implementation	
	Name	St Format	St Format	Use / Remarks
RFF				
C506	Reference	M	M	
1153	Reference code qualifier	M an..3	M an..3	
1154	Reference identifier	C an..70	R an..70	ON = Buyers order number The order number from BGM 1004 in ORDERS
1156	Document line identifier	C an..6	N	not used
4000	Reference version identifier	C an..35	N	not used
1060	Revision identifier	C an..6	N	not used

Remark:

Example:

RFF+ON: 296246123243 '

TRUCK SHOP ORDER RESPONSE

UN/EDIFACT Message: Segment details

Group: **SG1** Status: R Max. Occ.: 1 RFF-DTM

Segment: **DTM** Seq. No.: 5 Level: 2 **Date/time/period**
 Status: R Max. Occ.: 1
 Counter: 0110

Name: **Date/time/period**

Description of segment:

UN/EDIFACT			Implementation	
	Name	St Format	St Format	Use / Remarks
DTM				
C507	Date/time/period	M	M	
2005	Date or time or period function code qualifier	M an..3	R an..3	
2380	Date or time or period text	C an..35	R an..35	171 = Reference date/time
2379	Date or time or period format code	C an..3	R an..3	
				102 = CCYYMMDD

Remark:

Example:

DTM+171:20060430:102'

TRUCK SHOP ORDER RESPONSE

UN/EDIFACT Message: Segment details

Group: **SG2** Status: D Max. Occ.: 1 AJT-FTX

Segment: **AJT** Seq. No.: 6 Level: 1 **Adjustment details**
 Status: M Max. Occ.: 1
 Counter: 0130

Name: **Adjustment details**

Description of segment:

UN/EDIFACT			Implementation	
	Name	St Format	St Format	Use / Remarks
AJT 4465	Adjustment reason description code	M an..3	M an..3	28 = See separate advice 51 = Required data missing 32 = Goods not delivered
1082	Line item identifier	C an..6	N	not used

Remark:

This segment should be used in conjunction with qualifier 30 in the BGM segment.

Example:

AJT+51'

TRUCK SHOP ORDER RESPONSE

UN/EDIFACT Message: Segment details

Group: **SG2** Status: D Max. Occ.: 1 AJT-FTX

Segment: **FTX** Seq. No.: 7 Level: 2 **Free text**
 Status: D Max. Occ.: 1
 Counter: 0140

Name: Free text

Description of segment:

UN/EDIFACT			Implementation	
	Name	St Format	St Format	Use / Remarks
FTX				
4451	Text subject code qualifier	M an..3	M an..3	AAO = Error description (free text)
4453	Free text function code	C an..3	N	not used
C107	Text reference	C	N	not used
4441	Free text description code	M an..17	N	not used
1131	Code list identification code	C an..17	N	not used
3055	Code list responsible agency code	C an..3	N	not used
C108	Text literal	C	R	
4440	Free text	M an..512	R an..512	
4440	Free text	C an..512	D an..512	
4440	Free text	C an..512	N	not used
4440	Free text	C an..512	N	not used
4440	Free text	C an..512	N	not used
3453	Language name code	C an..3	N	not used
4447	Free text format code	C an..3	N	not used

Remark:

This segment can be used in conjunction with any of the applicable qualifiers in the leading AJT segment.

Example:

FTX+AAO+++Incomplete adress for Ultimate Consignee'

TRUCK SHOP ORDER RESPONSE

UN/EDIFACT Message: Segment details

Group: **SG3** Status: R Max. Occ.: 1 Buyer

Segment: **NAD** Seq. No.: 8 Level: 1 **Name and address**
 Status: M Max. Occ.: 1
 Counter: 0160

Name: Buyer

Description of segment:

UN/EDIFACT			Implementation	
	Name	St Format	St Format	Use / Remarks
NAD				
3035	Party function code qualifier	M an..3	M an..3	BY = Buyer
C082	Party identification details	C	R	
3039	Party identifier	M an..35	M an..35	Buyer's Identification Number
1131	Code list identification code	C an..17	N	not used
3055	Code list responsible agency code	C an..3	R an..3	
				92 = Assigned by buyer or buyer's agent
C058	Name and address	C	N	not used
3124	Name and address description	M an..35	N	not used
3124	Name and address description	C an..35	N	not used
3124	Name and address description	C an..35	N	not used
3124	Name and address description	C an..35	N	not used
3124	Name and address description	C an..35	N	not used
C080	Party name	C	R	
3036	Party name	M an..35	M an..35	Buyer's Name
3036	Party name	C an..35	D an..35	see 3036 #1
3036	Party name	C an..35	N	not used
3036	Party name	C an..35	N	not used
3036	Party name	C an..35	N	not used
3045	Party name format code	C an..3	N	not used
C059	Street	C	D	
3042	Street and number or post office box identifier	M an..35	M an..35	Buyer's Street
3042	Street and number or post office box identifier	C an..35	D an..35	see 3042 # 1
3042	Street and number or post office box identifier	C an..35	N	not used
3042	Street and number or post office box identifier	C an..35	N	not used
3164	City name	C an..35	R an..35	Buyer's City
C819	Country sub-entity details	C	D	
3229	Country sub-entity name code	C an..9	R an..9	
1131	Code list identification code	C an..17	N	not used
	Code list responsible agency			not used

Truck Shop Order Respons based on ORDRSP / UN D.03A S4

Document Number

20

Issue: 1

Dated: 2008-12-17

Generated by GEFEG EDIFIX®

TRUCK SHOP ORDER RESPONSE

UN/EDIFACT Message: Segment details

UN/EDIFACT			Implementation	
	Name	St Format	St Format	Use / Remarks
3055	code	C an..3	N	
3228	Country sub-entity name	C an..70	N	not used
3251	Postal identification code	C an..17	R an..17	Post code
3207	Country name code	C an..3	R an..2	Buyer's Country code Provides the country part of an adress using a code. Use ISO 3166 two alpha code.

Remark:

Example:

NAD+BY+1001:::92++VOLVO TRUCK CORPORATION AB++GOTHENBURG++405 08+SE'

TRUCK SHOP ORDER RESPONSE

UN/EDIFACT Message: Segment details

Group: SG3 Status: R Max. Occ.: 1 Invoicee

Segment: NAD Seq. No.: 10 Level: 1 **Name and address**
 Status: M Max. Occ.: 1
 Counter: 0160

Name: Invoicee

Description of segment:

UN/EDIFACT			Implementation	
	Name	St Format	St Format	Use / Remarks
NAD				
3035	Party function code qualifier	M an..3	M an..3	IV = Invoicee
C082	Party identification details	C	R	
3039	Party identifier	M an..35	M an..35	
1131	Code list identification code	C an..17	N	not used
3055	Code list responsible agency code	C an..3	R an..3	
				92 = Assigned by buyer or buyer's agent
C058	Name and address	C	N	not used
3124	Name and address description	M an..35	N	not used
3124	Name and address description	C an..35	N	not used
3124	Name and address description	C an..35	N	not used
3124	Name and address description	C an..35	N	not used
3124	Name and address description	C an..35	N	not used
C080	Party name	C	R	
3036	Party name	M an..35	M an..35	Invoicee's Name
3036	Party name	C an..35	D an..35	see 3036 # 1
3036	Party name	C an..35	N	not used
3036	Party name	C an..35	N	not used
3036	Party name	C an..35	N	not used
3045	Party name format code	C an..3	N	not used
C059	Street	C	D	
3042	Street and number or post office box identifier	M an..35	M an..35	Invoicee Street
3042	Street and number or post office box identifier	C an..35	D an..35	see 3042 # 1
3042	Street and number or post office box identifier	C an..35	N	not used
3042	Street and number or post office box identifier	C an..35	N	not used
3164	City name	C an..35	R an..35	Invoicee's City Name
C819	Country sub-entity details	C	D	
3229	Country sub-entity name code	C an..9	R an..9	
1131	Code list identification code	C an..17	N	not used
	Code list responsible agency			not used

Truck Shop Order Respons based on ORDRSP / UN D.03A S4

Document Number

23

Issue: 1

Dated: 2008-12-17

TRUCK SHOP ORDER RESPONSE

UN/EDIFACT Message: Segment details

UN/EDIFACT			Implementation	
	Name	St Format	St Format	Use / Remarks
3055	code	C an..3	N	
3228	Country sub-entity name	C an..70	N	not used
3251	Postal identification code	C an..17	R an..17	Post code
3207	Country name code	C an..3	R an..2	Invoicee Country code Provides the country part of an adress using a code. Use ISO 3166 two alpha code.

Remark:

Example:

NAD+IV+296246::92++VOLVO LASTVOGNE DANMARK A/S+RINGAGER 6:POSTBOX 176+BRÖNDBY++2505+DK'

TRUCK SHOP ORDER RESPONSE

UN/EDIFACT Message: Segment details

Group: **SG3** Status: R Max. Occ.: 1 Invoicee
Group: **SG4** Status: R Max. Occ.: 1 Invoicee's reference number(s)
Segment: **RFF** Seq. No.: 11 Level: 2 **Reference**
 Status: M Max. Occ.: 1
 Counter: 0200

Name: Invoicee's reference number

Description of segment:

UN/EDIFACT			Implementation	
	Name	St Format	St Format	Use / Remarks
RFF				
C506	Reference	M	M	
1153	Reference code qualifier	M an..3	M an..3	VA = VAT registration number
1154	Reference identifier	C an..70	R an..17	Invoicee's VAT number
1156	Document line identifier	C an..6	N	not used
4000	Reference version identifier	C an..35	N	not used
1060	Revision identifier	C an..6	N	not used

Remark:

Example:

RFF+VA:DK26178509'

TRUCK SHOP ORDER RESPONSE

UN/EDIFACT Message: Segment details

Group: **SG3** Status: R Max. Occ.: 1 Seller

Segment: **NAD** Seq. No.: 12 Level: 1 **Name and address**
 Status: M Max. Occ.: 1
 Counter: 0160

Name: Seller

Description of segment:

UN/EDIFACT		Implementation		
	Name	St Format	St Format	Use / Remarks
NAD				
3035	Party function code qualifier	M an..3	M an..3	SE - party selling merchandise to a buyer. SE = Seller
C082	Party identification details	C	R	
3039	Party identifier	M an..35	M an..35	
1131	Code list identification code	C an..17	N	not used
3055	Code list responsible agency code	C an..3	R an..3	
				92 = Assigned by buyer or buyer's agent
C058	Name and address	C	N	not used
3124	Name and address description	M an..35	N	not used
3124	Name and address description	C an..35	N	not used
3124	Name and address description	C an..35	N	not used
3124	Name and address description	C an..35	N	not used
3124	Name and address description	C an..35	N	not used
C080	Party name	C	R	
3036	Party name	M an..35	M an..35	
3036	Party name	C an..35	D an..35	3036 # 1
3036	Party name	C an..35	N	not used
3036	Party name	C an..35	N	not used
3036	Party name	C an..35	N	not used
3045	Party name format code	C an..3	N	not used
C059	Street	C	D	
3042	Street and number or post office box identifier	M an..35	M an..35	Seller's Street
3042	Street and number or post office box identifier	C an..35	D an..35	3042 #1
3042	Street and number or post office box identifier	C an..35	N	not used
3042	Street and number or post office box identifier	C an..35	N	not used
3164	City name	C an..35	R an..35	Seller's City Name
C819	Country sub-entity details	C	D	
3229	Country sub-entity name code	C an..9	R an..9	
1131	Code list identification code	C an..17	N	not used
	Code list responsible agency			not used

Truck Shop Order Respons based on ORDRSP / UN D.03A S4

Document Number

26

Issue: 1

Dated: 2008-12-17

Generated by GEFEG EDIFIX®

TRUCK SHOP ORDER RESPONSE

UN/EDIFACT Message: Segment details

UN/EDIFACT			Implementation	
	Name	St Format	St Format	Use / Remarks
3055	code	C an..3	N	
3228	Country sub-entity name	C an..70	N	not used
3251	Postal identification code	C an..17	R an..17	Seller's Postcode
3207	Country name code	C an..3	R an..3	Seller's Country Code Use ISO 3166-2-alpha codes. The codes of this codelist are documented in a separate document.

Remark:

Example:

NAD+SE+121212 : :92++DANSK SELLER A/S+ARMAGER STRANDVEJ 1002+COPENHAGEN++2300+DK'

TRUCK SHOP ORDER RESPONSE

UN/EDIFACT Message: Segment details

Group: **SG3** Status: R Max. Occ.: 1 Seller
Group: **SG4** Status: R Max. Occ.: 1 Seller's reference number(s)
Segment: **RFF** Seq. No.: 13 Level: 2 **Reference**
 Status: M Max. Occ.: 1
 Counter: 0200

Name: Sellers's reference number

Description of segment:

UN/EDIFACT			Implementation	
	Name	St Format	St Format	Use / Remarks
RFF				
C506	Reference	M	M	
1153	Reference code qualifier	M an..3	M an..3	VA = VAT registration number
1154	Reference identifier	C an..70	R an..17	Sellers's VAT number
1156	Document line identifier	C an..6	N	not used
4000	Reference version identifier	C an..35	N	not used
1060	Revision identifier	C an..6	N	not used

Remark:

Example:

RFF+VA:DK99999999'

TRUCK SHOP ORDER RESPONSE

UN/EDIFACT Message: Segment details

Group: SG3 Status: R Max. Occ.: 1 Consignee

Segment: NAD Seq. No.: 14 Level: 1 **Name and address**
 Status: M Max. Occ.: 1
 Counter: 0160

Name: **Consignee**

Description of segment:

UN/EDIFACT			Implementation	
	Name	St Format	St Format	Use / Remarks
NAD				
3035	Party function code qualifier	M an..3	M an..3	CN = Consignee
C082	Party identification details	C	M	
3039	Party identifier	M an..35	M an..35	
1131	Code list identification code	C an..17	N	not used
3055	Code list responsible agency code	C an..3	R an..3	
				92 = Assigned by buyer or buyer's agent
C058	Name and address	C	N	not used
3124	Name and address description	M an..35	N	not used
3124	Name and address description	C an..35	N	not used
3124	Name and address description	C an..35	N	not used
3124	Name and address description	C an..35	N	not used
3124	Name and address description	C an..35	N	not used
C080	Party name	C	R	
3036	Party name	M an..35	M an..35	Consigne Name
3036	Party name	C an..35	D an..35	see 3036 # 1
3036	Party name	C an..35	N	not used
3036	Party name	C an..35	N	not used
3036	Party name	C an..35	N	not used
3045	Party name format code	C an..3	N	not used
C059	Street	C	D	
3042	Street and number or post office box identifier	M an..35	M an..35	Consignee Street
3042	Street and number or post office box identifier	C an..35	D an..35	see 3042 #1
3042	Street and number or post office box identifier	C an..35	N	not used
3042	Street and number or post office box identifier	C an..35	N	not used
3164	City name	C an..35	R an..35	Consignee City Name
C819	Country sub-entity details	C	D	
3229	Country sub-entity name code	C an..9	R an..9	
1131	Code list identification code	C an..17	N	not used
	Code list responsible agency			not used

Truck Shop Order Respons based on ORDRSP / UN D.03A S4

Document Number

29

Issue: 1

Dated: 2008-12-17

TRUCK SHOP ORDER RESPONSE

UN/EDIFACT Message: Segment details

UN/EDIFACT			Implementation	
	Name	St Format	St Format	Use / Remarks
3055	code	C an..3	N	
3228	Country sub-entity name	C an..70	N	not used
3251	Postal identification code	C an..17	R an..17	Consignee Postcode
3207	Country name code	C an..3	R an..2	Consignee Country Code Use ISO 3166-2-alpha codes. The codes of this codelist are documented in a separate document.

Remark:

Example:

NAD+CN+DK997:::92++AUTOHUSET VESTERGAARD A/S+FÄLDESVEJ 13+GRINDSTED++7200+DK'

TRUCK SHOP ORDER RESPONSE

UN/EDIFACT Message: Segment details

Group: **SG3** Status: D Max. Occ.: 1 Ultimate Consignee
 Is only to be used when the Ship To address is different than the formal consignee

Segment: **NAD** Seq. No.: 15 Level: 1 Name and address
 Status: M Max. Occ.: 1
 Counter: 0160

Name: Ultimate Consignee

Description of segment:

UN/EDIFACT		Implementation		
	Name	St Format	St Format	Use / Remarks
NAD				
3035	Party function code qualifier	M an..3	M an..3	UC = Ultimate consignee
C082	Party identification details	C	R	
3039	Party identifier	M an..35	M an..35	
1131	Code list identification code	C an..17	N	not used
3055	Code list responsible agency code	C an..3	R an..3	
				92 = Assigned by buyer or buyer's agent
C058	Name and address	C	N	not used
3124	Name and address description	M an..35	N	not used
3124	Name and address description	C an..35	N	not used
3124	Name and address description	C an..35	N	not used
3124	Name and address description	C an..35	N	not used
3124	Name and address description	C an..35	N	not used
C080	Party name	C	R	
3036	Party name	M an..35	R an..35	Ultimate Consignee Name
3036	Party name	C an..35	D an..35	see 3036 # 1
3036	Party name	C an..35	N	not used
3036	Party name	C an..35	N	not used
3036	Party name	C an..35	N	not used
3045	Party name format code	C an..3	N	not used
C059	Street	C	R	
3042	Street and number or post office box identifier	M an..35	M an..35	Ultimate Consignee Street
3042	Street and number or post office box identifier	C an..35	D an..35	see 3042 # 1
3042	Street and number or post office box identifier	C an..35	N	not used
3042	Street and number or post office box identifier	C an..35	N	not used
3164	City name	C an..35	R an..35	Ultimate Consignee City Name
C819	Country sub-entity details	C	D	
3229	Country sub-entity name code	C an..9	R an..9	not used

Truck Shop Order Respons based on ORDRSP / UN D.03A S4

Document Number

31

Issue: 1

Dated: 2008-12-17

Generated by GEFEG EDIFIX®

TRUCK SHOP ORDER RESPONSE

UN/EDIFACT Message: Segment details

UN/EDIFACT			Implementation	
	Name	St Format	St Format	Use / Remarks
1131	Code list identification code	C an..17	N	
3055	Code list responsible agency code	C an..3	N	not used
3228	Country sub-entity name	C an..70	N	not used
3251	Postal identification code	C an..17	R an..17	Ultimate Consignee Postcode
3207	Country name code	C an..3	R an..2	Ultimate Consignee Country Code Use ISO 3166-2-alpha codes. The codes of this codelist are documented in a separate document.

Remark:

Example:

NAD+UC+++BENNY`S CONTAINER TRANSPORT+TÅRNVEJ 55+GRINDSTED++7200+DK'

TRUCK SHOP ORDER RESPONSE

UN/EDIFACT Message: Segment details

Group: **SG8** Status: R Max. Occ.: 1 CUX

Only used if monetary amount is given in ORDRSP.

Segment: **CUX** Seq. No.: 16 Level: 1 Currencies
 Status: M Max. Occ.: 1
 Counter: 0330

Name: Currencies

Description of segment:

UN/EDIFACT		Implementation		
	Name	St Format	St Format	Use / Remarks
CUX				
C504	Currency details	C	C	
6347	Currency usage code qualifier	M an..3	R an..3	2 = Reference currency
6345	Currency identification code	C an..3	R an..3	Order currency ISO 4217 three alpha code
6343	Currency type code qualifier	C an..3	R an..3	
6348	Currency rate	C n..4	N	9 = Order currency not used
C504	Currency details	C	N	not used
6347	Currency usage code qualifier	M an..3	N	not used
6345	Currency identification code	C an..3	N	not used
6343	Currency type code qualifier	C an..3	N	not used
6348	Currency rate	C n..4	N	not used
5402	Currency exchange rate	C n..12	N	not used
6341	Exchange rate currency market identifier	C an..3	N	not used

Remark:

Example:

CUX+2 : DKK : 9 '

TRUCK SHOP ORDER RESPONSE

UN/EDIFACT Message: Segment details

Group: **SG26** Status: R Max. Occ.: 200000 LIN-PIA-IMD-QTY-DTM-SG29-SG30-SG31

Segment: **LIN** Seq. No.: 17 Level: 1 **Line item**
 Status: M Max. Occ.: 1
 Counter: 0980

Name: **Line item**

Description of segment:

UN/EDIFACT			Implementation	
	Name	St Format	St Format	Use / Remarks
LIN				
1082	Line item identifier	C an..6	R an..6	
1229	Action request/notification description code	C an..3	R an..3	The usage of code 84 is dependent on suppliers capabilities. The goods is expected to be delivered. 3 = Changed 5 = Accepted without amendment 7 = Not accepted 84 = Repriced
C212	Item number identification	C	R	
7140	Item identifier	C an..35	R an..35	
7143	Item type identification code	C an..3	R an..3	
				IN = Buyer's item number
1131	Code list identification code	C an..17	N	not used
3055	Code list responsible agency code	C an..3	N	not used
C829	Sub-line information	C	N	not used
5495	Sub-line indicator code	C an..3	N	not used
1082	Line item identifier	C an..6	N	not used
1222	Configuration level number	C n..2	N	not used
7083	Configuration operation code	C an..3	N	not used

Remark:

Example:

LIN+1+3+1234567890:IN'

TRUCK SHOP ORDER RESPONSE

UN/EDIFACT Message: Segment details

Group: **SG26** Status: R Max. Occ.: 200000 LIN-PIA-IMD-QTY-DTM-SG29-SG30-SG31

Segment: **PIA** Seq. No.: 18 Level: 2 **Additional product id**
 Status: D Max. Occ.: 1
 Counter: 0990

Name: **Additional product id**

Description of segment:

UN/EDIFACT			Implementation	
	Name	St Format	St Format	Use / Remarks
PIA				
4347	Product identifier code qualifier	M an..3	M an..3	1 = Additional identification
C212	Item number identification	M	M	
7140	Item identifier	C an..35	R an..35	Will only be present in order when available
7143	Item type identification code	C an..3	R an..3	
				SA = Supplier's article number
1131	Code list identification code	C an..17	N	not used
3055	Code list responsible agency code	C an..3	N	not used
C212	Item number identification	C	N	not used
7140	Item identifier	C an..35	N	not used
7143	Item type identification code	C an..3	N	not used
1131	Code list identification code	C an..17	N	not used
3055	Code list responsible agency code	C an..3	N	not used
C212	Item number identification	C	N	not used
7140	Item identifier	C an..35	N	not used
7143	Item type identification code	C an..3	N	not used
1131	Code list identification code	C an..17	N	not used
3055	Code list responsible agency code	C an..3	N	not used
C212	Item number identification	C	N	not used
7140	Item identifier	C an..35	N	not used
7143	Item type identification code	C an..3	N	not used
1131	Code list identification code	C an..17	N	not used
3055	Code list responsible agency code	C an..3	N	not used

Remark:

Truck Shop Order Respons based on ORDRSP / UN D.03A S4

Document Number

35

Issue: 1

Dated: 2008-12-17

Generated by GEFEG EDIFIX®

TRUCK SHOP ORDER RESPONSE

UN/EDIFACT Message: Segment details

Example:

PIA+1+987654321:SA'

TRUCK SHOP ORDER RESPONSE

UN/EDIFACT Message: Segment details

Group: **SG26** Status: R Max. Occ.: 200000 LIN-PIA-IMD-QTY-DTM-SG29-SG30-SG31

Segment: **IMD** Seq. No.: 19 Level: 2 **Item description**
 Status: D Max. Occ.: 1
 Counter: 1000

Name: **Item description**

Description of segment:

UN/EDIFACT			Implementation	
	Name	St Format	St Format	Use / Remarks
IMD				
7077	Description format code	C an..3	R an..3	F = Free-form
C272	Item characteristic	C	N	not used
7081	Item characteristic code	C an..3	N	not used
1131	Code list identification code	C an..17	N	not used
3055	Code list responsible agency code	C an..3	N	not used
C273	Item description	C	R	
7009	Item description code	C an..17	N	not used
1131	Code list identification code	C an..17	N	not used
3055	Code list responsible agency code	C an..3	N	not used
7008	Item description	C an..256	R an..256	
7008	Item description	C an..256	N	not used
3453	Language name code	C an..3	N	not used
7383	Surface or layer code	C an..3	N	not used

Remark:

Example:

IMD+F+++:::GADGETS'

TRUCK SHOP ORDER RESPONSE

UN/EDIFACT Message: Segment details

Group: **SG26** Status: R Max. Occ.: 200000 LIN-PIA-IMD-QTY-DTM-SG29-SG30-SG31

Segment: **QTY** Seq. No.: 20 Level: 2 **Quantity**
 Status: R Max. Occ.: 1
 Counter: 1020

Name: **Ordered quantity**

Description of segment:

UN/EDIFACT			Implementation	
	Name	St Format	St Format	Use / Remarks
QTY				
C186	Quantity details	M	M	
6063	Quantity type code qualifier	M an..3	M an..3	
6060	Quantity	M an..35	M an..35	21 = Ordered quantity
6411	Measurement unit code	C an..8	D an..8	If no unit code is given the default value is EA for pieces EA = each LTR = litre KGM = kilogram MTR = metre

Remark:

Example:

QTY+21:100:EA'

TRUCK SHOP ORDER RESPONSE

UN/EDIFACT Message: Segment details

Group: SG26 Status: R Max. Occ.: 200000 LIN-PIA-IMD-QTY-DTM-SG29-SG30-SG31

Segment: QTY Seq. No.: 21 Level: 2 **Quantity**
 Status: D Max. Occ.: 1
 Counter: 1020

Name: **Backorder quantity**

Description of segment:

UN/EDIFACT			Implementation	
	Name	St Format	St Format	Use / Remarks
QTY				
C186	Quantity details	M	M	
6063	Quantity type code qualifier	M an..3	M an..3	
6060	Quantity	M an..35	M an..35	83 = Backorder quantity
6411	Measurement unit code	C an..8	D an..8	If no unit code is given the default value is EA for pieces EA = each LTR = litre KGM = kilogram MTR = metre

Remark:

Example:

QTY+83:100:EA'

TRUCK SHOP ORDER RESPONSE

UN/EDIFACT Message: Segment details

Group: SG26 Status: R Max. Occ.: 200000 LIN-PIA-IMD-QTY-DTM-SG29-SG30-SG31

Segment: DTM Seq. No.: 22 Level: 2 **Date/time/period**
 Status: D Max. Occ.: 1
 Counter: 1050

Name: **Scheduled date for delivery of non backorder material**

Description of segment:

UN/EDIFACT			Implementation	
	Name	St Format	St Format	Use / Remarks
DTM				
C507	Date/time/period	M	M	
2005	Date or time or period function code qualifier	M an..3	R an..3	
2380	Date or time or period text	C an..35	R an..35	76 = Delivery date/time, scheduled for
2379	Date or time or period format code	C an..3	R an..3	
				102 = CCYYMMDD

Remark:

Example:

DTM+76:20050510:102'

TRUCK SHOP ORDER RESPONSE

UN/EDIFACT Message: Segment details

Group: SG26 Status: R Max. Occ.: 200000 LIN-PIA-IMD-QTY-DTM-SG29-SG30-SG31

Segment: DTM Seq. No.: 23 Level: 2 **Date/time/period**
 Status: D Max. Occ.: 1
 Counter: 1050

Name: **Estimated date for backorder deliveries**

Description of segment:

UN/EDIFACT			Implementation	
	Name	St Format	St Format	Use / Remarks
DTM				
C507	Date/time/period	M	M	
2005	Date or time or period function code qualifier	M an..3	M an..3	
				17 = Delivery date/time, estimated
2380	Date or time or period text	C an..35	R an..35	
2379	Date or time or period format code	C an..3	R an..3	
				102 = CCYYMMDD

Remark:

Only to be used when QTY 6063 = 83 Backorder

Example:

DTM+17:20050510:102'

TRUCK SHOP ORDER RESPONSE

UN/EDIFACT Message: Segment details

Group: SG26 Status: R Max. Occ.: 200000 LIN-PIA-IMD-QTY-DTM-SG29-SG30-SG31

Group: SG29 Status: D Max. Occ.: 1 AJT-FTX

Segment: FTX Seq. No.: 25 Level: 3 **Free text**
 Status: D Max. Occ.: 1
 Counter: 1260

Name: Free text

Description of segment:

UN/EDIFACT		Implementation		
	Name	St Format	St Format	Use / Remarks
FTX				
4451	Text subject code qualifier	M an..3	M an..3	AAO = Error description (free text)
4453	Free text function code	C an..3	N	not used
C107	Text reference	C	N	not used
4441	Free text description code	M an..17	N	not used
1131	Code list identification code	C an..17	N	not used
3055	Code list responsible agency code	C an..3	N	not used
C108	Text literal	C	R	
4440	Free text	M an..512	M an..512	
4440	Free text	C an..512	N	not used
4440	Free text	C an..512	N	not used
4440	Free text	C an..512	N	not used
4440	Free text	C an..512	N	not used
3453	Language name code	C an..3	N	not used
4447	Free text format code	C an..3	N	not used

Remark:

To be used only when the error code is not self-explanatory

Example:

FTX+AAO+++ Free text for information'

TRUCK SHOP ORDER RESPONSE

UN/EDIFACT Message: Segment details

Group: SG26 Status: R Max. Occ.: 200000 LIN-PIA-IMD-QTY-DTM-SG29-SG30-SG31

Group: SG30 Status: D Max. Occ.: 1 PRI

Must be used when there is a price difference , for other acknowledgments it can be omitted

Segment: PRI Seq. No.: 26 Level: 2 **Price details**
 Status: M Max. Occ.: 1
 Counter: 1280

Name: Price details

Description of segment:

UN/EDIFACT			Implementation	
	Name	St Format	St Format	Use / Remarks
PRI				
C509	Price information	C	R	
5125	Price code qualifier	M an..3	M an..3	
5118	Price amount	C n..15	R n..15	AAA = Calculation net Price with 2 decimals
5375	Price type code	C an..3	N	not used
5387	Price specification code	C an..3	R an..3	
5284	Unit price basis quantity	C n..9	R n..9	AAA = Reference price AAG = Subject to price adjustment CON = Contract price The quantity multipel of the given price Example: 1, 10, 100, 1000
6411	Measurement unit code	C an..8	N	not used
5213	Sub-line item price change operation code	C an..3	N	not used

Remark:

Example:

PRI+AAA:53.52::AAA:1'

TRUCK SHOP ORDER RESPONSE

UN/EDIFACT Message: Segment details

Segment: **UNS** Seq. No.: 28 Level: 0 **Section control**
Status: M Max. Occ.: 1
Counter: 2200

Name: Section control

Description of segment:

UN/EDIFACT			Implementation	
	Name	St Format	St Format	Use / Remarks
UNS 0081	Section identification	M a1	M a1	D = Header/detail section separation

Remark:

Example:

UNS+D'

TRUCK SHOP ORDER RESPONSE

UN/EDIFACT Message: Structure / Table of contents

Segment: **UNT** Seq. No.: 29 Level: 0 **Message trailer**
Status: M Max. Occ.: 1
Counter: 2270

Name: Message trailer

Description of segment:

UN/EDIFACT		Implementation		
	Name	St Format	St Format	Use / Remarks
UNT				
0074	Number of segments in a message	M n..10	M n..10	Number of segments in the message
0062	Message reference number	M an..14	M an..14	

Remark:

Example:

UNT+26+10045'