



Message Specification

Service Market and Dealer Ship direct 850 004050

Based on:

850

Purchase Order

X12 004050

Version: 1
Variant: 1
Issue date: 18/09/2020
Author: VOLVO GROUP IT

Message Structure

Counter	No	Tag	St	MaxOcc	Level	Content
0100	1	ST	M	1	0	Transaction Set Header
0200	2	BEG	M	1	0	Beginning Segment for Purchase Order
0400	3	CUR	D	1	0	Currency
0500	4	REF	R	1	1	Dealer purchase order number
0500	5	REF	D	99	1	Customer Reference Number
0500	6	REF	D	1	1	Billing account number
0500	7	REF	R	1	1	Criticality Designator
0500	8	REF	D	1	1	Promotion/Deal Number
0800	9	FOB	D	1	1	F.O.B. Related Instructions
2400	10	TD5	D	1	1	Carrier Details (Routing Sequence/Transit Time)
2950		N9	D	3	1	N9-MTX
2950	11	N9	M	1	1	Extended Reference Information
3000	12	MTX	R	1	2	Text
3100		N1	R	1	1	Buyer
3100	13	N1	M	1	1	Party Identification
3300	14	N3	O	1	2	Party Location
3400	15	N4	R	1	2	Geographic Location
3500	16	REF	D	1	2	Reference Information
3600	17	PER	O	3	2	Administrative Communications Contact
3100		N1	D	1	1	Bill-to-Party
3100	18	N1	M	1	1	Party Identification
3300	19	N3	O	1	2	Party Location
3400	20	N4	R	1	2	Geographic Location
3100		N1	R	1	1	Selling Party
3100	21	N1	M	1	1	Party Identification
3300	22	N3	O	1	2	Party Location
3400	23	N4	R	1	2	Geographic Location
3100		N1	R	1	1	Ship To
3100	24	N1	M	1	1	Party Identification
3300	25	N3	O	1	2	Party Location
3400	26	N4	R	1	2	Geographic Location
3500	27	REF	D	1	2	Reference Information
0100		PO1	M	999	1	PO1-REF-REF-DTM-SCH
0100	28	PO1	M	1	1	Baseline Item Data
1000	29	REF	D	10	2	Characteristic Code Description
1000	30	REF	D	1	2	Reference Information
2100	31	DTM	D	1	2	Date/Time Reference
2950		SCH	D	100	2	Scheduling Details

Counter = Counter of segment/group within the standard
 No = Consecutive segment number
 MaxOcc = Maximum occurrence of the segment/group

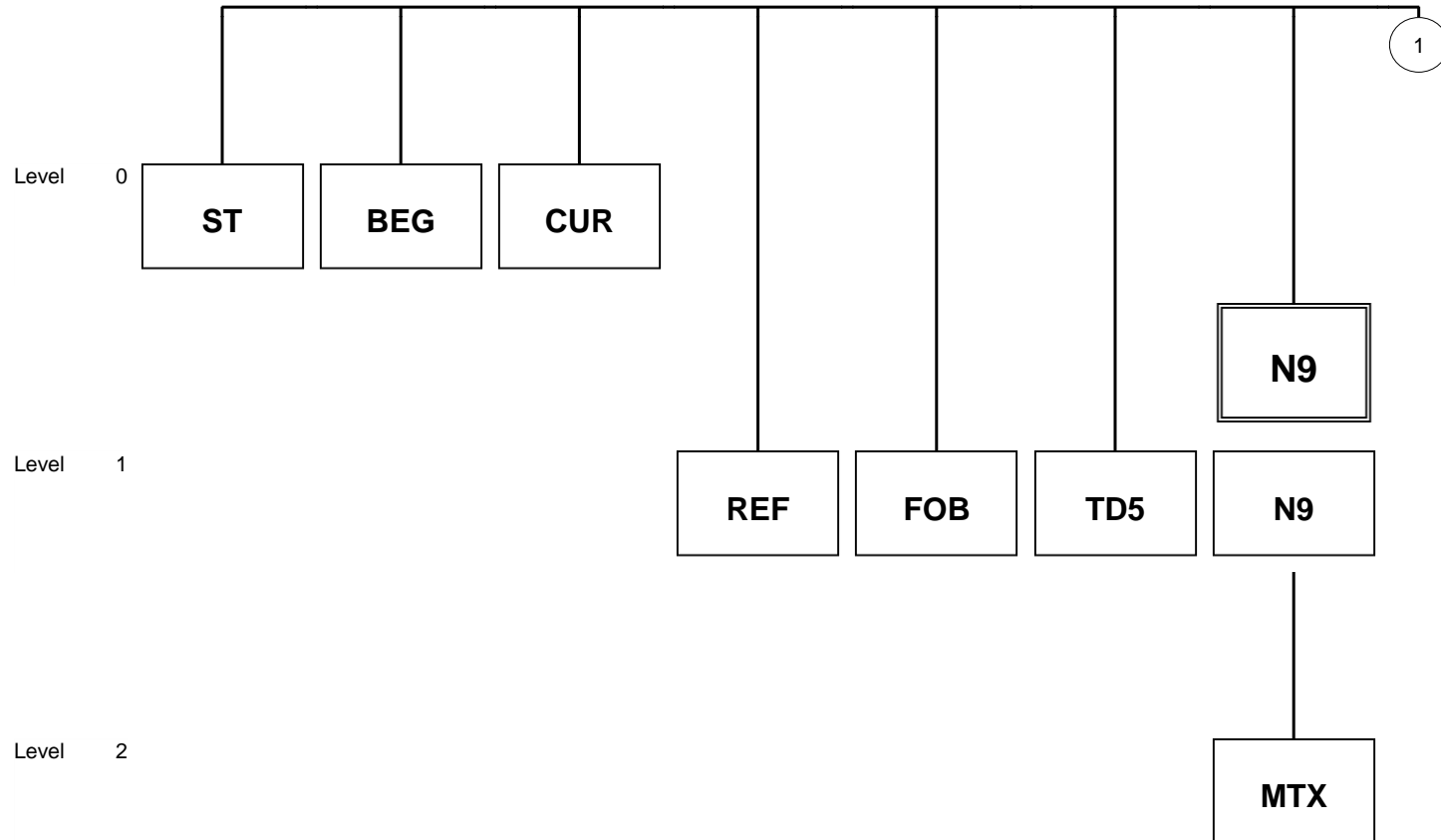
St = Status
 X12: M=Mandatory, C=Conditional, O=Optional
 User specific: R=Required, O=Optional, D=Dependent, N=Not used

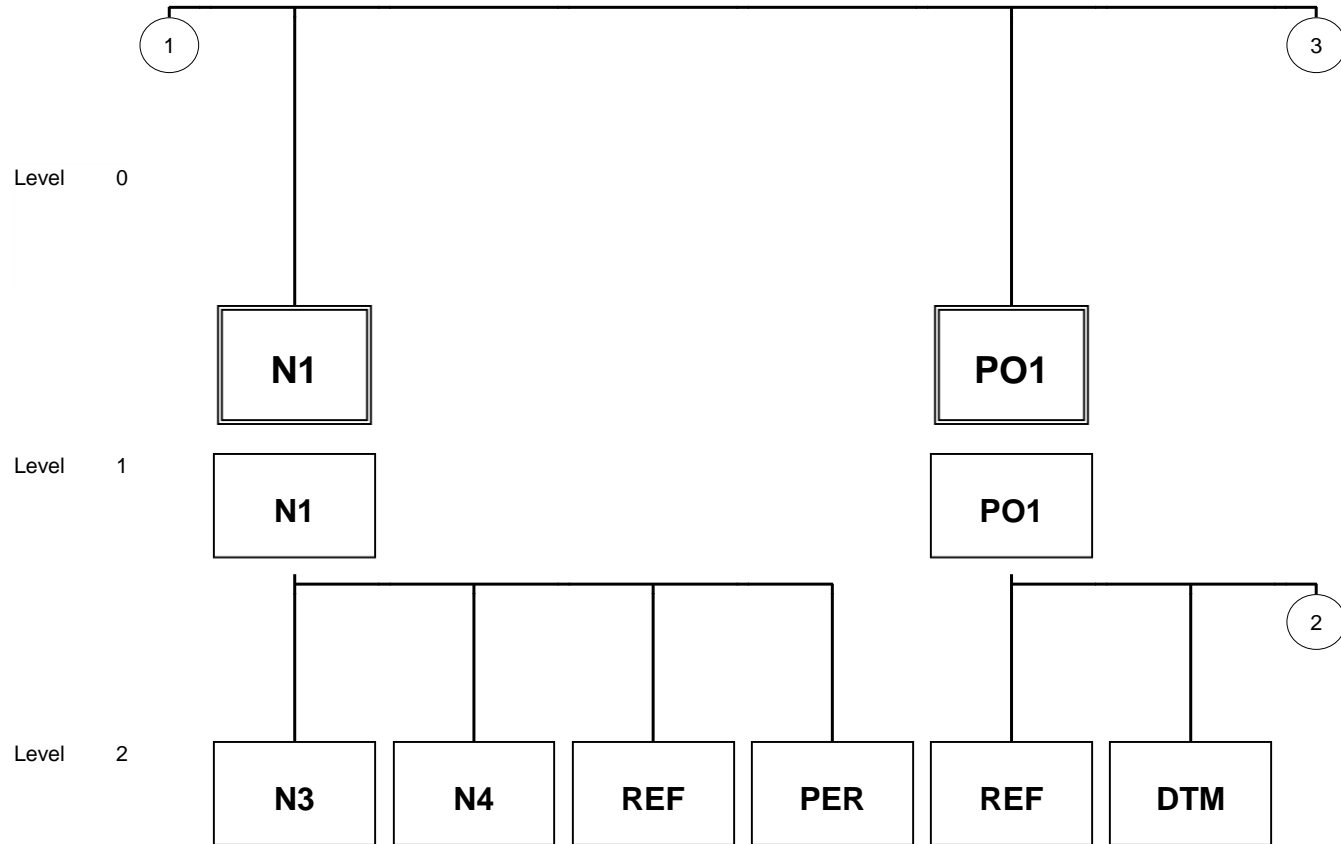
Counter	No	Tag	St	MaxOcc	Level	Content
2950	32	SCH	M	1	2	Line Item Schedule
3000	33	REF	R	1	3	Scheduling Conditions
0100		CTT	O	1	1	CTT
0100	34	CTT	M	1	1	Transaction Totals
0300	35	SE	M	1	0	Transaction Set Trailer

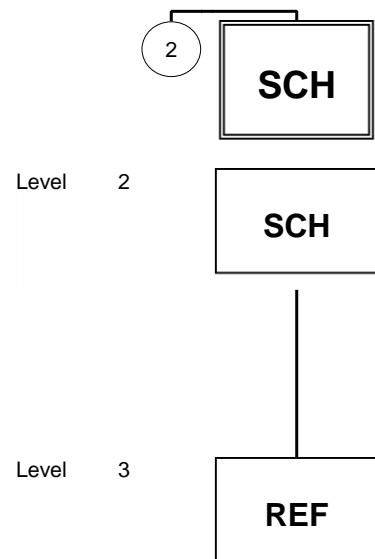
Counter = Counter of segment/group within the standard
 No = Consecutive segment number
 MaxOcc = Maximum occurrence of the segment/group

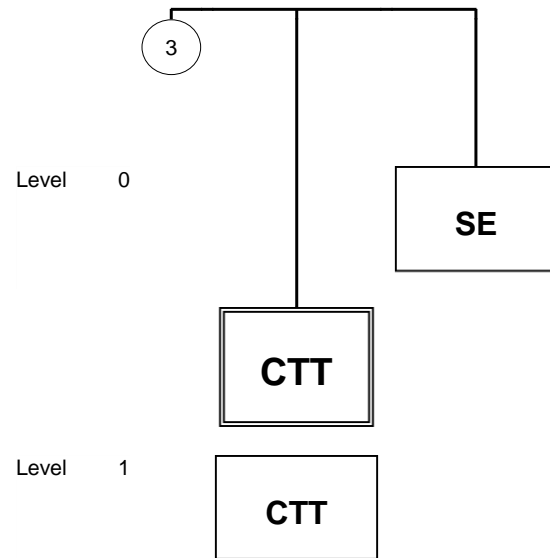
St = Status
 X12: M=Mandatory, C=Conditional, O=Optional
 User specific: R=Required, O=Optional, D=Dependent,
 N=Not used

Branching Diagram of Used Segments/Groups









Segments

Counter	No	Tag	St	MaxOcc	Level	Name
---------	----	-----	----	--------	-------	------

0100	1	ST	M	1	0	Transaction Set Header
------	---	-----------	---	---	---	------------------------

Standard			Implementation	
Ref.	Id	Name	St Format	Usage / Remark
ST01	143	Transaction Set Identifier Code	M ID 3/3	Code uniquely identifying a Transaction Set 850 Purchase Order
ST02	329	Transaction Set Control Number	M AN 4/9	Identifying control number that must be unique within the transaction set functional group assigned by the originator for a transaction set

Remark:

Example:

ST*850*0001

No = Consecutive segment number
 MaxOcc = Maximum occurrence of the segment/group
 Counter = Counter of segment/group within the standard

St=Status
 X12: M=Mandatory, C=Conditional, O=Optional
 User specific: R=Required, O=Optional, D=Dependent,
 N=Not used

Counter	No	Tag	St	MaxOcc	Level	Name
---------	----	-----	----	--------	-------	------

0200	2	BEG	M	1	0	Beginning Segment for Purchase Order
------	---	------------	---	---	---	--------------------------------------

Standard			Implementation	
Ref.	Id	Name	St Format	Usage / Remark
BEG 01	353	Transaction Set Purpose Code	M ID 2/2	00 Original
BEG 02	92	Purchase Order Type Code	M ID 2/2	SA Stand-alone Order
BEG 03	324	Purchase Order Number	M AN 1/22	Order Number
BEG 05	373	Date	M DT 8/8	
BEG 07	587	Acknowledgment Type	D ID 2/2	AE Acknowledge - With Exception Detail Only AE - an 855 is always expected. If there is any kind of deviation from normal, detail should be provided, as for example: Back order, Price error, Substituted part, etc.

Remark:

Example:

BEG*00*SA*3000229786-ABC**20160210**AE

No = Consecutive segment number
 MaxOcc = Maximum occurrence of the segment/group
 Counter = Counter of segment/group within the standard

St=Status
 X12: M=Mandatory, C=Conditional, O=Optional
 User specific: R=Required, O=Optional, D=Dependent,
 N=Not used

Counter	No	Tag	St	MaxOcc	Level	Name
0400	3	CUR	D	1	0	Currency

Standard			Implementation	
Ref.	Id	Name	St Format	Usage / Remark
CUR 01	98	Entity Identifier Code	M ID 2/2	BY Buying Party (Purchaser)
CUR 02	100	Currency Code	M ID 3/3	Order currency ISO 4217 three alpha code

Remark:
Used according to agreement between concerned parties.

Example:
CUR*BY*USD

No = Consecutive segment number
MaxOcc = Maximum occurrence of the segment/group
Counter = Counter of segment/group within the standard

St=Status
X12: M=Mandatory, C=Conditional, O=Optional
User specific: R=Required, O=Optional, D=Dependent,
N=Not used

Counter	No	Tag	St	MaxOcc	Level	Name
0500	4	REF	R	1	1	Dealer purchase order number

Standard			Implementation	
Ref.	Id	Name	St Format	Usage / Remark
REF 01	128	Reference Identification Qualifier	M ID 2/2	DC Dealer purchase order number
REF 02	127	Reference Identification	R AN 1/50	

Remark:

Example:

REF*DC*OP08058

No = Consecutive segment number
 MaxOcc = Maximum occurrence of the segment/group
 Counter = Counter of segment/group within the standard

St=Status
 X12: M=Mandatory, C=Conditional, O=Optional
 User specific: R=Required, O=Optional, D=Dependent,
 N=Not used

Counter	No	Tag	St	MaxOcc	Level	Name
0500	5	REF	D	99	1	Customer Reference Number

Standard			Implementation	
Ref.	Id	Name	St Format	Usage / Remark
REF 01	128	Reference Identification Qualifier	M ID 2/2	CR Customer Reference Number
REF 02	127	Reference Identification	R AN 1/50	

Remark:
Used according to agreement between concerned parties.

Example:
REF*CR*1011176105

No = Consecutive segment number
 MaxOcc = Maximum occurrence of the segment/group
 Counter = Counter of segment/group within the standard

St=Status
 X12: M=Mandatory, C=Conditional, O=Optional
 User specific: R=Required, O=Optional, D=Dependent,
 N=Not used

Counter	No	Tag	St	MaxOcc	Level	Name
0500	6	REF	D	1	1	Billing account number

Standard			Implementation	
Ref.	Id	Name	St Format	Usage / Remark
REF 01	128	Reference Identification Qualifier	M ID 2/2	12 Billing Account
REF 02	127	Reference Identification	R AN 1/50	Billing account number

Remark:
Dealers Fedex or Purolator account number for emergency orders

Example:
REF*12*123456

No = Consecutive segment number
MaxOcc = Maximum occurrence of the segment/group
Counter = Counter of segment/group within the standard

St=Status
X12: M=Mandatory, C=Conditional, O=Optional
User specific: R=Required, O=Optional, D=Dependent,
N=Not used

Counter	No	Tag	St	MaxOcc	Level	Name
0500	7	REF	R	1	1	Criticality Designator

Standard			Implementation	
Ref.	Id	Name	St Format	Usage / Remark
REF 01	128	Reference Identification Qualifier	M ID 2/2	K4 Criticality Designator
REF 02	127	Reference Identification	R AN 1/50	1 If an EMERGENCY order 3 If a STOCK order

Remark:

Example:

REF*K4*1

No = Consecutive segment number
 MaxOcc = Maximum occurrence of the segment/group
 Counter = Counter of segment/group within the standard

St=Status
 X12: M=Mandatory, C=Conditional, O=Optional
 User specific: R=Required, O=Optional, D=Dependent,
 N=Not used

Counter	No	Tag	St	MaxOcc	Level	Name
---------	----	-----	----	--------	-------	------

0500	8	REF	D	1	1	Promotion/Deal Number
------	---	------------	---	---	---	-----------------------

Standard			Implementation	
Ref.	Id	Name	St Format	Usage / Remark
REF 01	128	Reference Identification Qualifier	M ID 2/2	PD Promotion/Deal Number
REF 02	127	Reference Identification	R AN 1/50	Program number or Promotion number

Remark:

Example:

REF*PD*025

No = Consecutive segment number
 MaxOcc = Maximum occurrence of the segment/group
 Counter = Counter of segment/group within the standard

St=Status
 X12: M=Mandatory, C=Conditional, O=Optional
 User specific: R=Required, O=Optional, D=Dependent,
 N=Not used

Counter	No	Tag	St	MaxOcc	Level	Name
---------	----	-----	----	--------	-------	------

0800	9	FOB	D	1	1	F.O.B. Related Instructions
------	---	------------	---	---	---	-----------------------------

Standard			Implementation	
Ref.	Id	Name	St Format	Usage / Remark
FOB 01	146	Shipment Method of Payment	M ID 2/2	DF Defined by Buyer and Seller
FOB 02	309	Location Qualifier	D ID 1/2	EA Event Location
FOB 03	352	Description	D AN 1/35	Location Name
FOB 04	334	Transportation Terms Qualifier Code	R ID 2/2	01 Incoterms
FOB 05	335	Transportation Terms Code	R ID 3/3	INCOTERMS® 2010 version released by International Chamber of Commerce (ICC). It is to be noted that contracts made under INCOTERMS® 2000 can remain valid.

Remark:

Used according to agreement between concerned parties.

Example:

FOB*DF*EA*TORONTO*01*FCA

No = Consecutive segment number
 MaxOcc = Maximum occurrence of the segment/group
 Counter = Counter of segment/group within the standard

St=Status
 X12: M=Mandatory, C=Conditional, O=Optional
 User specific: R=Required, O=Optional, D=Dependent,
 N=Not used

Counter	No	Tag	St	MaxOcc	Level	Name
---------	----	-----	----	--------	-------	------

2400	10	TD5	D	1	1	Carrier Details (Routing Sequence/Transit Time)
------	----	------------	---	---	---	---

Standard			Implementation	
Ref.	Id	Name	St Format	Usage / Remark
TD5 02	66	Identification Code Qualifier	C ID 1/2	2 Standard Carrier Alpha Code (SCAC)
TD5 03	67	Identification Code	D AN 2/80	SCAC code
TD5 05	387	Routing	C AN 1/35	Free-form description of the routing or requested routing for shipment, or the originating carrier's identity
TD5 12	284	Service Level Code	C ID 2/2	9A 9 A.M. AC Air Cargo AM A.M. CG Ground CX Express Service ES Expedited Service G2 Standard Service GT Tracking - Ground IE Expedited Service - Worldwide IX Express Service - Worldwide ND Next Day Air Delivery during day hours of next business day NM Next Morning ON Overnight SA Same Day SC Second Day Air Delivery during day hours no later than 2nd business day SD Saturday SE Second Day SG Standard Ground SH Second Day Hundred Weight SI Standard Ground Hundred Weight SM Second Morning

Remark:

Example:

TD5**2*456DFG**UPS OVERNIGHT*****CG

No = Consecutive segment number
 MaxOcc = Maximum occurrence of the segment/group
 Counter = Counter of segment/group within the standard

St=Status
 X12: M=Mandatory, C=Conditional, O=Optional
 User specific: R=Required, O=Optional, D=Dependent,
 N=Not used

Counter	No	Tag	St	MaxOcc	Level	Name
2950		N9	D	3	1	N9-MTX Used according to agreement between concerned parties.
2950	11	N9	M	1	1	Extended Reference Information

Standard			Implementation	
Ref.	Id	Name	St Format	Usage / Remark
N9 01	128	Reference Identification Qualifier	M ID 2/3	82 Data Item Description (DID) Reference

Remark:

Example:

N9*82

No = Consecutive segment number
 MaxOcc = Maximum occurrence of the segment/group
 Counter = Counter of segment/group within the standard

St=Status
 X12: M=Mandatory, C=Conditional, O=Optional
 User specific: R=Required, O=Optional, D=Dependent,
 N=Not used

Counter	No	Tag	St	MaxOcc	Level	Name
2950		N9	D	3	1	N9-MTX
Used according to agreement between concerned parties.						
3000	12	MTX	R	1	2	Text

Standard			Implementation	
Ref.	Id	Name	St Format	Usage / Remark
MTX01	363	Note Reference Code	R ID 3/3	ADD Additional Information PUR Purchasing TSD Terms of Sale Description
MTX02	1551	Textual Data	R AN 1/80	

Remark:

To provide free form or coded text information. In general free text should be avoided where possible since this will inhibit automatic processing.

Example:

MTX*ADD*ADDITIONAL INFORMATION

No = Consecutive segment number
 MaxOcc = Maximum occurrence of the segment/group
 Counter = Counter of segment/group within the standard

St=Status
 X12: M=Mandatory, C=Conditional, O=Optional
 User specific: R=Required, O=Optional, D=Dependent,
 N=Not used



Counter	No	Tag	St	MaxOcc	Level	Name
3100		N1	R	1	1	Buyer
3100	13	N1	M	1	1	Party Identification

Standard			Implementation	
Ref.	Id	Name	St Format	Usage / Remark
N1 01	98	Entity Identifier Code	M ID 2/2	BY Buying Party (Purchaser)
N1 02	93	Name	R AN 1/60	
N1 03	66	Identification Code Qualifier	R ID 1/2	92 Assigned by Buyer or Buyer's Agent
N1 04	67	Identification Code	R AN 2/35	

Remark:

Example:

N1*BY*VOLVO TRUCKS NA INC*92*123214

No = Consecutive segment number
 MaxOcc = Maximum occurrence of the segment/group
 Counter = Counter of segment/group within the standard

St=Status
 X12: M=Mandatory, C=Conditional, O=Optional
 User specific: R=Required, O=Optional, D=Dependent,
 N=Not used

Counter	No	Tag	St	MaxOcc	Level	Name
3100		N1	R	1	1	Buyer
3300	14	N3	O	1	2	Party Location

Standard			Implementation	
Ref.	Id	Name	St Format	Usage / Remark
N3 01	166	Address Information	M AN 1/55	

Remark:

Example:

N3*9900 VOLVO ROAD

No = Consecutive segment number
 MaxOcc = Maximum occurrence of the segment/group
 Counter = Counter of segment/group within the standard

St=Status
 X12: M=Mandatory, C=Conditional, O=Optional
 User specific: R=Required, O=Optional, D=Dependent,
 N=Not used

Counter	No	Tag	St	MaxOcc	Level	Name
3100		N1	R	1	1	Buyer
3400	15	N4	R	1	2	Geographic Location

Standard			Implementation	
Ref.	Id	Name	St Format	Usage / Remark
N4 01	19	City Name	R AN 2/30	
N4 02	156	State or Province Code	O ID 2/2	
N4 03	116	Postal Code	R ID 3/15	
N4 04	26	Country Code	R ID 2/2	

Remark:

Example:

N4*GREENSBORO*NC*24449*US

No = Consecutive segment number
 MaxOcc = Maximum occurrence of the segment/group
 Counter = Counter of segment/group within the standard

St=Status
 X12: M=Mandatory, C=Conditional, O=Optional
 User specific: R=Required, O=Optional, D=Dependent,
 N=Not used

Counter	No	Tag	St	MaxOcc	Level	Name
3100		N1	R	1	1	Buyer
3500	16	REF	D	1	2	Reference Information

Standard			Implementation	
Ref.	Id	Name	St Format	Usage / Remark
REF 01	128	Reference Identification Qualifier	M ID 2/2	VX Value-Added Tax Registration Number (Europe)
REF 02	127	Reference Identification	R AN 1/17	

Remark:
Used according to agreement between concerned parties.

Example:
REF*VX*SE556013970001

No = Consecutive segment number
MaxOcc = Maximum occurrence of the segment/group
Counter = Counter of segment/group within the standard

St=Status
X12: M=Mandatory, C=Conditional, O=Optional
User specific: R=Required, O=Optional, D=Dependent, N=Not used

Counter	No	Tag	St	MaxOcc	Level	Name	
	3100	N1	R	1	1	Buyer	
	3600	17	PER	O	3	2	Administrative Communications Contact

Standard			Implementation	
Ref.	Id	Name	St Format	Usage / Remark
PER 01	366	Contact Function Code	M ID 2/2	BD Buyer Name or Department
PER 02	93	Name	R AN 1/35	
PER 03	365	Communication Number Qualifier	C ID 2/2	EM Electronic Mail
PER 04	364	Communication Number	C AN 1/70	
PER 05	365	Communication Number Qualifier	C ID 2/2	TE Telephone
PER 06	364	Communication Number	C AN 1/70	

Remark:

Example:

PER*BD*BOB SMITH*EM*BOB.SMITH@VOLVO.COM

No = Consecutive segment number
 MaxOcc = Maximum occurrence of the segment/group
 Counter = Counter of segment/group within the standard

St=Status
 X12: M=Mandatory, C=Conditional, O=Optional
 User specific: R=Required, O=Optional, D=Dependent,
 N=Not used

Counter	No	Tag	St	MaxOcc	Level	Name
3100		N1	D	1	1	Bill-to-Party
3100	18	N1	M	1	1	Party Identification

Standard			Implementation	
Ref.	Id	Name	St Format	Usage / Remark
N1 01	98	Entity Identifier Code	M ID 2/2	BT Bill-to-Party
N1 02	93	Name	R AN 1/60	
N1 03	66	Identification Code Qualifier	R ID 1/2	92 Assigned by Buyer or Buyer's Agent
N1 04	67	Identification Code	R AN 2/35	

Remark:

N1*BT tells where to send the invoice. If not given it is the same as Buyer.

Example:

N1*BT*VOLVO TRUCKS NA INC*92*123214

No = Consecutive segment number
 MaxOcc = Maximum occurrence of the segment/group
 Counter = Counter of segment/group within the standard

St=Status
 X12: M=Mandatory, C=Conditional, O=Optional
 User specific: R=Required, O=Optional, D=Dependent,
 N=Not used

Counter	No	Tag	St	MaxOcc	Level	Name
3100		N1	D	1	1	Bill-to-Party
3300	19	N3	O	1	2	Party Location

Standard			Implementation	
Ref.	Id	Name	St Format	Usage / Remark
N3 01	166	Address Information	M AN 1/55	

Remark:

Example:

N3*9900 VOLVO ROAD

No = Consecutive segment number
 MaxOcc = Maximum occurrence of the segment/group
 Counter = Counter of segment/group within the standard

St=Status
 X12: M=Mandatory, C=Conditional, O=Optional
 User specific: R=Required, O=Optional, D=Dependent,
 N=Not used

Counter	No	Tag	St	MaxOcc	Level	Name
3100		N1	D	1	1	Bill-to-Party
3400	20	N4	R	1	2	Geographic Location

Standard			Implementation	
Ref.	Id	Name	St Format	Usage / Remark
N4 01	19	City Name	R AN 2/30	
N4 02	156	State or Province Code	O ID 2/2	
N4 03	116	Postal Code	R ID 3/15	
N4 04	26	Country Code	R ID 2/2	

Remark:

Example:

N4*GREENSBORO*NC*24449*US

No = Consecutive segment number
 MaxOcc = Maximum occurrence of the segment/group
 Counter = Counter of segment/group within the standard

St=Status
 X12: M=Mandatory, C=Conditional, O=Optional
 User specific: R=Required, O=Optional, D=Dependent,
 N=Not used

Counter	No	Tag	St	MaxOcc	Level	Name
3100		N1	R	1	1	Selling Party
3100	21	N1	M	1	1	Party Identification

Standard			Implementation	
Ref.	Id	Name	St Format	Usage / Remark
N1 01	98	Entity Identifier Code	M ID 2/2	SE Selling Party
N1 02	93	Name	R AN 1/60	
N1 03	66	Identification Code Qualifier	R ID 1/2	92 Assigned by Buyer or Buyer's Agent
N1 04	67	Identification Code	R AN 2/35	

Remark:

Example:

N1*SE*PANA-PACIFIC CORP*92*51122

No = Consecutive segment number
 MaxOcc = Maximum occurrence of the segment/group
 Counter = Counter of segment/group within the standard

St=Status
 X12: M=Mandatory, C=Conditional, O=Optional
 User specific: R=Required, O=Optional, D=Dependent,
 N=Not used

Counter	No	Tag	St	MaxOcc	Level	Name
3100		N1	R	1	1	Selling Party
3300	22	N3	O	1	2	Party Location

Standard			Implementation	
Ref.	Id	Name	St Format	Usage / Remark
N3 01	166	Address Information	M AN 1/55	

Remark:

Example:

N3*80 VANESS DR

No = Consecutive segment number
 MaxOcc = Maximum occurrence of the segment/group
 Counter = Counter of segment/group within the standard

St=Status
 X12: M=Mandatory, C=Conditional, O=Optional
 User specific: R=Required, O=Optional, D=Dependent,
 N=Not used

Counter	No	Tag	St	MaxOcc	Level	Name
3100		N1	R	1	1	Selling Party
3400	23	N4	R	1	2	Geographic Location

Standard			Implementation	
Ref.	Id	Name	St Format	Usage / Remark
N4 01	19	City Name	R AN 2/30	
N4 02	156	State or Province Code	O ID 2/2	
N4 03	116	Postal Code	R ID 3/15	
N4 04	26	Country Code	R ID 2/2	

Remark:

Example:

N4*ENCINO*CA*93721*US

No = Consecutive segment number
 MaxOcc = Maximum occurrence of the segment/group
 Counter = Counter of segment/group within the standard

St=Status
 X12: M=Mandatory, C=Conditional, O=Optional
 User specific: R=Required, O=Optional, D=Dependent,
 N=Not used

Counter	No	Tag	St	MaxOcc	Level	Name
3100		N1	R	1	1	Ship To
3100	24	N1	M	1	1	Party Identification

Standard			Implementation	
Ref.	Id	Name	St Format	Usage / Remark
N1 01	98	Entity Identifier Code	M ID 2/2	ST Ship To
N1 02	93	Name	R AN 1/60	
N1 03	66	Identification Code Qualifier	R ID 1/2	92 Assigned by Buyer or Buyer's Agent
N1 04	67	Identification Code	R AN 2/35	

Remark:

Example:

N1*ST*WORLDWIDE COMPANY, INC*92*5552D

No = Consecutive segment number
 MaxOcc = Maximum occurrence of the segment/group
 Counter = Counter of segment/group within the standard

St=Status
 X12: M=Mandatory, C=Conditional, O=Optional
 User specific: R=Required, O=Optional, D=Dependent,
 N=Not used

Counter	No	Tag	St	MaxOcc	Level	Name
3100		N1	R	1	1	Ship To
3300	25	N3	O	1	2	Party Location

Standard			Implementation	
Ref.	Id	Name	St Format	Usage / Remark
N3 01	166	Address Information	M AN 1/55	

Remark:

Example:

N3*2017 WEST 22RD STREET

No = Consecutive segment number
 MaxOcc = Maximum occurrence of the segment/group
 Counter = Counter of segment/group within the standard

St=Status
 X12: M=Mandatory, C=Conditional, O=Optional
 User specific: R=Required, O=Optional, D=Dependent,
 N=Not used

Counter	No	Tag	St	MaxOcc	Level	Name
3100		N1	R	1	1	Ship To
3400	26	N4	R	1	2	Geographic Location

Standard			Implementation	
Ref.	Id	Name	St Format	Usage / Remark
N4 01	19	City Name	R AN 2/30	
N4 02	156	State or Province Code	C ID 2/2	
N4 03	116	Postal Code	R ID 3/15	
N4 04	26	Country Code	R ID 2/2	

Remark:

Example:

N4*CHATTANOOGA*TN*37303*US

No = Consecutive segment number
 MaxOcc = Maximum occurrence of the segment/group
 Counter = Counter of segment/group within the standard

St=Status
 X12: M=Mandatory, C=Conditional, O=Optional
 User specific: R=Required, O=Optional, D=Dependent,
 N=Not used

Counter	No	Tag	St	MaxOcc	Level	Name
3100		N1	R	1	1	Ship To
3500	27	REF	D	1	2	Reference Information

Standard			Implementation	
Ref.	Id	Name	St Format	Usage / Remark
REF 01	128	Reference Identification Qualifier	M ID 2/2	DK Dock Number
REF 02	127	Reference Identification	R AN 1/35	

Remark:
Used according to agreement between concerned parties.

Example:
REF*DK*200A

No = Consecutive segment number
 MaxOcc = Maximum occurrence of the segment/group
 Counter = Counter of segment/group within the standard

St=Status
 X12: M=Mandatory, C=Conditional, O=Optional
 User specific: R=Required, O=Optional, D=Dependent,
 N=Not used

Counter	No	Tag	St	MaxOcc	Level	Name
0100		PO1	M	999	1	PO1-REF-DTM-SCH
0100	28	PO1	M	1	1	Baseline Item Data

Standard			Implementation	
Ref.	Id	Name	St Format	Usage / Remark
PO1 01	350	Assigned Identification	D AN 1/6	Line ID
PO1 02	380	Quantity	D R 1/15	Ordered Quantity
PO1 03	355	Unit or Basis for Measurement Code	O ID 2/2	CN Can CR Cubic Meter DM Decimeter DR Drum EA Each FT Foot GA Gallon GR Gram HU Hundred KG Kilogram KT Kit LB Pound LT Liter ML Milliliter MM Millimeter MR Meter OZ Ounce - Av PK Package PR Pair PT Pint QT Quart SC Square Centimeter SM Square Meter T3 Thousand Pieces If no unit code is given the default value is EA for each/pieces
PO1 04	212	Unit Price	D R 1/15	
PO1 05	639	Basis of Unit Price Code	O ID 2/2	The quantity multipel of the given price HP Price per Hundred PE Price per Each TP Price per Thousand
PO1 06	235	Product/Service ID Qualifier	R ID 2/2	BP Buyer's Part Number
PO1 07	234	Product/Service ID	R AN 1/35	
PO1 08	235	Product/Service ID Qualifier	D ID 2/2	VP Vendor's (Seller's) Part Number
PO1 09	234	Product/Service ID	D AN 1/35	
PO1 10	235	Product/Service ID Qualifier	D ID 2/2	PD Part Number Description
PO1 11	234	Product/Service ID	D AN 1/35	

Remark:

Example:

PO1*00001*6*EA*69.60*PE*BP*PNSPP1050626E*VP*PP106062 6E*PD*SEAT

No = Consecutive segment number
 MaxOcc = Maximum occurrence of the segment/group
 Counter = Counter of segment/group within the standard

St=Status
 X12: M=Mandatory, C=Conditional, O=Optional
 User specific: R=Required, O=Optional, D=Dependent,
 N=Not used

Counter	No	Tag	St	MaxOcc	Level	Name
0100		PO1	M	999	1	PO1-REF-DTM-SCH
1000	29	REF	D	10	2	Characteristic Code Description

Standard			Implementation	
Ref.	Id	Name	St Format	Usage / Remark
REF 01	128	Reference Identification Qualifier	R ID 2/2	82 Data Item Description (DID) Reference
REF 02	127	Reference Identification	R AN 1/17	
REF 03	352	Description	R AN 1/80	

Remark:

Used according to agreement between concerned parties.

Example:

REF*82*COLOR*BLUE

No = Consecutive segment number
 MaxOcc = Maximum occurrence of the segment/group
 Counter = Counter of segment/group within the standard

St=Status
 X12: M=Mandatory, C=Conditional, O=Optional
 User specific: R=Required, O=Optional, D=Dependent,
 N=Not used

Counter	No	Tag	St	MaxOcc	Level	Name
0100		PO1	M	999	1	PO1-REF-DTM-SCH
1000	30	REF	D	1	2	Reference Information

Standard			Implementation	
Ref.	Id	Name	St Format	Usage / Remark
REF 01	128	Reference Identification Qualifier	R ID 2/2	OQ Order Number
REF 02	127	Reference Identification	D AN 1/50	
	C040	Reference Identifier	R	
REF 04	128	Reference Identification Qualifier	M ID 2/2	BV Purchase Order Line Item Identifier (Buyer)
REF 04	127	Reference Identification	M AN 1/6	

Remark:
Used according to agreement between concerned parties.

Example:
REF*OQ*3000229786-ABC**BV:10

No = Consecutive segment number
MaxOcc = Maximum occurrence of the segment/group
Counter = Counter of segment/group within the standard

St=Status
X12: M=Mandatory, C=Conditional, O=Optional
User specific: R=Required, O=Optional, D=Dependent, N=Not used

Counter	No	Tag	St	MaxOcc	Level	Name
0100		PO1	M	999	1	PO1-REF-DTM-SCH
2100	31	DTM	D	1	2	Date/Time Reference

Standard			Implementation	
Ref.	Id	Name	St Format	Usage / Remark
DTM 01	374	Date/Time Qualifier	M ID 3/3	002 Delivery Requested 010 Requested Ship
DTM 02	373	Date	R DT 8/8	
DTM 03	337	Time	C AN 4/4	

Remark:

To specify date (and times if required) relevant to the delivery or pick up of goods.

Example:

DTM*002*20160528*1547

No = Consecutive segment number
 MaxOcc = Maximum occurrence of the segment/group
 Counter = Counter of segment/group within the standard

St=Status
 X12: M=Mandatory, C=Conditional, O=Optional
 User specific: R=Required, O=Optional, D=Dependent,
 N=Not used

Counter	No	Tag	St	MaxOcc	Level	Name
2950		SCH	D	100	2	Scheduling Details Used according to agreement between concerned parties.
2950	32	SCH	M	1	2	Line Item Schedule

Standard			Implementation	
Ref.	Id	Name	St Format	Usage / Remark
SCH 01	380	Quantity	M R 1/15	On Order Quantity/Ordered quantity
SCH 02	355	Unit or Basis for Measurement Code	M ID 2/2	CN Can CR Cubic Meter DM Decimeter DR Drum EA Each FT Foot GA Gallon GR Gram HU Hundred KG Kilogram KT Kit LB Pound LT Liter ML Milliliter MM Millimeter MR Meter OZ Ounce - Av PK Package PR Pair PT Pint QT Quart SC Square Centimeter SM Square Meter T3 Thousand Pieces If no unit code is given the default value is EA for each/pieces
SCH 05	374	Date/Time Qualifier	M ID 3/3	002 Delivery Requested 010 Requested Ship
SCH 06	373	Date	M DT 8/8	
SCH 07	337	Time	O AN 4/6	

Remark:

Example:

SCH*6*EA***002*20160528*1547

No = Consecutive segment number
 MaxOcc = Maximum occurrence of the segment/group
 Counter = Counter of segment/group within the standard

St=Status
 X12: M=Mandatory, C=Conditional, O=Optional
 User specific: R=Required, O=Optional, D=Dependent,
 N=Not used

Counter	No	Tag	St	MaxOcc	Level	Name
2950		SCH	D	100	2	Scheduling Details Used according to agreement between concerned parties.
3000	33	REF	R	1	3	Scheduling Conditions

Standard			Implementation	
Ref.	Id	Name	St Format	Usage / Remark
REF 01	128	Reference Identification Qualifier	M ID 2/3	ZZ Mutually Defined Delivery Plan Commitment Level Code
REF 02	127	Reference Identification	R AN 1/1	C (Firm) D (Planning) Forecast Qualifier

Remark:

Example:

REF*ZZ*C

No = Consecutive segment number
 MaxOcc = Maximum occurrence of the segment/group
 Counter = Counter of segment/group within the standard

St=Status
 X12: M=Mandatory, C=Conditional, O=Optional
 User specific: R=Required, O=Optional, D=Dependent,
 N=Not used

Counter	No	Tag	St	MaxOcc	Level	Name
0100		CTT	O	1	1	CTT
0100	34	CTT	M	1	1	Transaction Totals

Standard			Implementation	
Ref.	Id	Name	St Format	Usage / Remark
CTT 01	354	Number of Line Items	M NO 1/6	
CTT 02	347	Hash Total	O R 1/10	

Remark:

Example:

CTT*1*6

No = Consecutive segment number
 MaxOcc = Maximum occurrence of the segment/group
 Counter = Counter of segment/group within the standard

St=Status
 X12: M=Mandatory, C=Conditional, O=Optional
 User specific: R=Required, O=Optional, D=Dependent,
 N=Not used

Counter	No	Tag	St	MaxOcc	Level	Name
0300	35	SE	M	1	0	Transaction Set Trailer

Standard			Implementation	
Ref.	Id	Name	St Format	Usage / Remark
SE 01	96	Number of Included Segments	M NO 1/10	
SE 02	329	Transaction Set Control Number	M AN 4/9	

Remark:

Example:

SE*21*0001

No = Consecutive segment number
 MaxOcc = Maximum occurrence of the segment/group
 Counter = Counter of segment/group within the standard

St=Status
 X12: M=Mandatory, C=Conditional, O=Optional
 User specific: R=Required, O=Optional, D=Dependent,
 N=Not used