

## **Detailed Guidelines for Delivery Just-in-Time (SYNCRO/DELJIT) within Volvo**

### ***1 General***

This document describes Volvo's application of the Odette subset of the EDIFACT message for delivery just-in-time (SYNCRO/DELJIT).

The specification includes a detailed description of those data elements which will be used.

The application is based upon the Odette subset of the EDIFACT message SYNCRO/DELJIT V3R1 based on version D96A, issued by the secretariat in September 1996.

The frequency and scope of this message is specific for each company within Volvo.

### ***VOLVO TRUCK CORPORATION, VOLVO BUS.***

The SYNCRO/DELJIT message is used to transmit sequence information and direct information.

The message is used in three ways:

#### **Sequence**

The message is transmitted as sequence information, once a day, 18-20 days before assembly. Information about a vehicle is sent only ONE time. Adjustments are notified by other means. The supplier delivers the goods in sequence order.

#### **Direct 1**

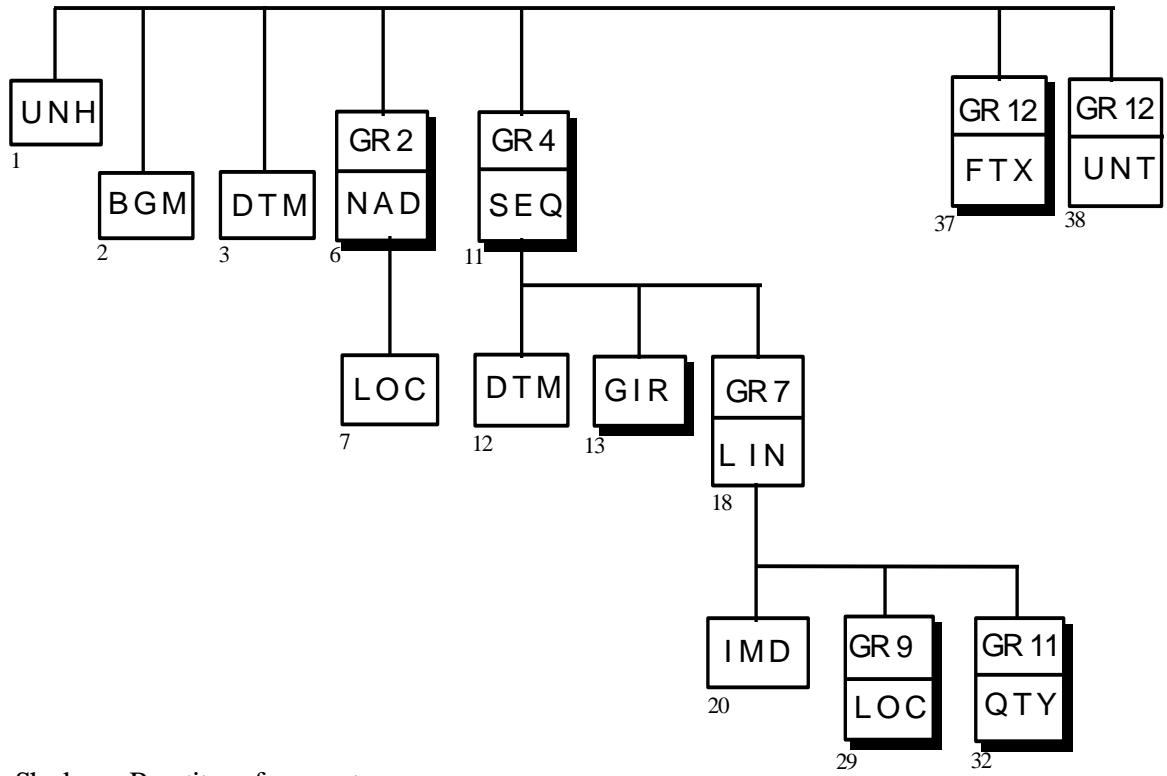
The message is transmitted as sequence information, once a day, 18-20 days before assembly. Information about a vehicle is sent only ONE time. Adjustments are notified by other means.

The requirements are summed up by the supplier for each consignment address, article and building date, with consideration given to the unit load volume.

#### **Direct 2**

The message is transmitted as direct information, when needs for the article arise. The message contains requirements per consignee, date of requirement, reference number and article.

*2 File structure*



Shadow = Repetiton of segment

**3 Detailed Segment Description**

<b>1-UNH</b>	<b>MESSAGE HEADER</b>	<b>M 1 (1)</b>
	To uniquely identify the Odette subset and the Edifact message.	
<b>0062</b>	<b>MESSAGE REFERENCE NUMBER</b>	<b>M an..14</b>
	Sender's reference number.	
<b>S009</b>	<b>MESSAGE IDENTIFIER</b>	<b>M</b>
0065	Message type <i>Value:</i> DELJIT	M an..6
0052	Message version number <i>Value:</i> D	M an..3
0054	Message release number <i>Value:</i> 96A	M an..3
0051	Controlling agency <i>Value:</i> UN	M an..2
0057	Associated assigned code <i>Value:</i> A03031	R an..6
<b>0068</b>	<b>COMMON ACCESS REFERENCE</b>	<b>N</b>
<b>S010</b>	<b>STATUS OF TRANSFER</b>	<b>N</b>
	Example: UNH+2+DELJIT:D:96A:UN:A03031'	

<b>2-BGM</b>	<b>BEGINNING OF MESSAGE</b>	<b>M 1</b>
	The unique identification of the message.	
<b>C002</b>	<b>DOCUMENT NAME</b>	<b>R</b>
1001	Document name, coded <i>Value:</i> 30 = sequenced delivery ZZ = direct delivery	R an..3
1131	Code list qualifier	N
3055	Code list responsible agency, coded <i>Value:</i> 10 = Odette	R an..3
1000	Document name	N
<b>1004</b>	<b>DOCUMENT NUMBER</b>	<b>R an..17 (an..35)</b>
	A unique reference number.	
<b>1225</b>	<b>MESSAGE FUNCTION, CODED</b>	<b>N</b>
<b>4343</b>	<b>RESPONSE TYPE, CODED</b>	<b>N</b>
	Example: BGM+30::10+971640749118300'	

<b>3-DTM</b>	<b>DATE/TIME</b>	<b>M 1 (10)</b>
	Date and time on which the message was created.	
<b>C507</b>	<b>DATE/TIME</b>	<b>M</b>
2005	Date/Time qualifier <i>Value:</i> 137 = message date/time	M an..3
2380	Date/Time date on which the message was created.	R n12 (an..35)
2379	Date/Time format qualifier <i>Value:</i> 203 = CCYYMMDDHHMM	R an..3
	Example: DTM+137:199704170749:203'	

<b>6-NAD</b>	<b>NAME AND ADDRESS</b>	<b>R 3 (20)</b>
	Identity of the supplier/consignor.	
<b>3035</b>	<b>PARTY QUALIFIER</b>	<b>M an..3</b>
	<i>Value:</i> CZ = consignor	
<b>C082</b>	<b>PARTY IDENTIFICATION DETAILS</b>	<b>R</b>
<b>3039</b>	Party Id. identification The supplier number, allocated to the seller. The number must be given without leading blanks or zeroes.	<b>M an..10 (an..35)</b>
<b>1131</b>	Code list qualifier	<b>N</b>
<b>3055</b>	Code list responsible agency, coded <i>Value:</i> 92 = defined by the buyer	<b>R an..3</b>
<b>C058</b>	<b>NAME AND ADDRESS</b>	<b>N</b>
<b>C080</b>	<b>PARTY NAME</b>	<b>N</b>
<b>C059</b>	<b>STREET</b>	<b>N</b>
<b>3164</b>	<b>CITY NAME</b>	<b>N</b>
<b>3229</b>	<b>COUNTRY SUB-ENTITY IDENTIFICATION</b>	<b>N</b>
<b>3251</b>	<b>POSTCODE IDENTIFICATION</b>	<b>N</b>
<b>3207</b>	<b>COUNTRY, CODED</b>	<b>N</b>
	Example: NAD+CZ+2594::92'	

<b>6-NAD</b>	<b>NAME AND ADDRESS</b>	<b>R</b>
	Identity of the buyer.	
<b>3035</b>	<b>PARTY QUALIFIER</b>	<b>M an..3</b>
	<i>Value:</i> BY = Buyer	
<b>C082</b>	<b>PARTY IDENTIFICATION DETAILS</b>	<b>R</b>
3039	Party Id. identification The customer number issued by the supplier.	M an..20 (an..35)
1131	Code list qualifier	N
3055	Code list responsible agency, coded <i>Value:</i> 91 = defined by Seller	R an..3
<b>C058</b>	<b>NAME AND ADDRESS</b>	<b>N</b>
<b>C080</b>	<b>PARTY NAME</b>	<b>N</b>
<b>C059</b>	<b>STREET</b>	<b>N</b>
<b>3164</b>	<b>CITY NAME</b>	<b>N</b>
<b>3229</b>	<b>COUNTRY SUB-ENTITY IDENTIFICATION</b>	<b>N</b>
<b>3251</b>	<b>POSTCODE IDENTIFICATION</b>	<b>N</b>
<b>3207</b>	<b>COUNTRY, CODED</b>	<b>N</b>

Example: NAD+BY+22500::91'

<b>6-NAD</b>	<b>NAME AND ADDRESS</b>	<b>R</b>
	Identity of the consignee.	
<b>3035</b>	<b>PARTY QUALIFIER</b>	<b>M an..3</b>
	<i>Value:</i> CN = consignee	
<b>C082</b>	<b>PARTY IDENTIFICATION DETAILS</b>	<b>R</b>
3039	Party Id. identification Volvo's plant or warehouse number. See appendix 1.	M an..10 (an..35)
1131	Code list qualifier	N
3055	Code list responsible agency, coded <i>Value:</i> 92 = assigned by Buyer	R an..3
<b>C058</b>	<b>NAME AND ADDRESS</b>	<b>N</b>
<b>C080</b>	<b>PARTY NAME</b>	<b>D an..35</b>
	The value should be printed on the transport label. Only need when a transport label is required in the dispatch.	
<b>C059</b>	<b>STREET</b>	<b>N</b>
<b>3164</b>	<b>CITY NAME</b>	<b>N</b>
<b>3229</b>	<b>COUNTRY SUB-ENTITY IDENTIFICATION</b>	<b>N</b>
<b>3251</b>	<b>POSTCODE IDENTIFICATION</b>	<b>N</b>
<b>3207</b>	<b>COUNTRY, CODED</b>	<b>N</b>
	Example: NAD+CN+1001::92'	



<b>7-NAD.LOC</b>	<b>LOCATION IDENTIFICATION</b>	<b>R1 (10)</b>
	Identity of the place of discharge.	
<b>3227</b>	<b>LOCATION QUALIFIER</b>	<b>M an..3</b>
	<i>Value:</i> 11 = place of discharge	
<b>C517</b>	<b>PLACE/LOCATION IDENTIFICATION</b>	<b>R</b>
3225	Place/Location identification, coded Volvo's identity on place of discharge.	R an..8 (an..25)
1131	Code list qualifier	N
3055	Code list responsible agency, coded	N
3224	Location	N
<b>C519</b>	<b>REL. LOCATION ONE IDENTIFICATION</b>	<b>N</b>
<b>C553</b>	<b>REL. LOCATION TWO IDENTIFICATION</b>	<b>N</b>
<b>5479</b>	<b>RELATION, CODED</b>	<b>N</b>
	Example: LOC+11+020'	

**11-SEQ SEQUENCE DETAILS**

**M 9999**

**1245 STATUS INDICATOR, CODED**

**R an..3**

1. Amendment

This status code is allocated to any sequence details which are retransmitted with changes to article or delivery details as specified in the Place of Discharge or Place of Destination entity.

2. Cancellation

This status code is used when sequence details are deleted without being replaced.

3. Created new

This status must be used for all sequence details being transmitted for the first time.

5. Replacement

This status code is assigned to sequence details for which manufacturing reference details have been changed.

7. Proposal

This status code is used when a proposal is made by the consignee to the supplier/consignor.

9. Test / do not deliver

This status code is used to give information that the sequence is a test transmission only, or that no articles are to be delivered (zero request).

**C286 SEQUENCE INFORMATION**

**R**

1050

Sequence number  
Production sequence number.  
Extended data element length will be available in future directories

M an..6

1159

Sequence number source, coded

N

1131

Code list qualifier

N

3055

Code list responsible agency, coded

N

Example: SEQ+3+716403'

<b>12-SEQ.DTM</b>	<b>SEQUENCE DETAILS</b>	<b>R 1 (5)</b>
<b>DTM</b>	<b>DATE/TIME</b>	<b>R</b>
<b>C507</b>	<b>DATE/TIME</b>	<b>M</b>
2005	Date/Time qualifier <i>Value:</i> 194 = starting date/time	M an..3
2380	Date/Time	R n12 (an..35)
2379	Date/Time format qualifier <i>Value:</i> 203 = CCYYMMDDHHMM	R an..3
	Example: DTM+194:199704171010:203'	

<b>13-SEQ.GIR</b>	<b>RELATED IDENTIFICATION NUMBERS</b>	<b>R 3 (99)</b>
<b>7297</b>	<b>SET IDENTIFICATION QUALIFIER</b>	<b>M an..3</b>
	<i>Value:</i> 4 = vehicle reference set	
	<i>Remark:</i> C206 = Either Vehicle Identification Number or Manufacturing Number is mandatory.	
<b>C206</b>	<b>IDENTIFICATION NUMBER</b>	<b>D</b>
	<i>Condition:</i> mandatory for sequenced deliveries.	
7402	Identity number Vehicle identification number.	M an..35
7405	Identity number qualifier <i>Value:</i> VV = vehicle identification number	R an..3
4405	Status, coded	N
<b>C206</b>	<b>IDENTIFICATION NUMBER</b>	<b>D</b>
	<i>Condition:</i> mandatory for direct deliveries.	
7402	Identity number Manufacturing reference number.	R an..35
7405	Identity number qualifier <i>Value:</i> AN = manufacturing reference	R an..3
4405	Status, coded	N
<b>C206</b>	<b>IDENTIFICATION NUMBER</b>	<b>N</b>
<b>C206</b>	<b>IDENTIFICATION NUMBER</b>	<b>N</b>
<b>C206</b>	<b>IDENTIFICATION NUMBER</b>	<b>N</b>

Example: GIR+4+074705542:VV'

<b>13-SEQ.GIR</b>	<b>RELATED IDENTIFICATION NUMBERS</b>	<b>D</b>
	<i>Condition:</i> Mandatory when call-offs are based on variant codes.	
<b>7297</b>	<b>SET IDENTIFICATION QUALIFIER</b>	<b>M an..3</b>
	Value: 1 = product	
<b>C206</b>	<b>IDENTIFICATION NUMBER</b>	<b>M</b>
7402	Identity number Variant code.	M an..35
7405	Identity number qualifier Value: AB = 1st structure element name the first element in a series of elements that together define the structure of an object.	R an..3
4405	Status, coded	N
<b>C206</b>	<b>IDENTIFICATION NUMBER</b> Conditions: mandatory if more than one variant code is required.	<b>D</b>
7402	Identity number Variant code	R an..35
7405	Identity number qualifier Value: AC = 2nd structure element name	R an..3
4405	Status, coded	N
<b>C206</b>	<b>IDENTIFICATION NUMBER</b> Conditions: mandatory if more than two variant codes are required	<b>D</b>
7402	Identity number Variant code	R an..35
7405	Identity number qualifier Value: AD = 3rd structure element name	R an..3
4405	Status, coded	N
<b>C206</b>	<b>IDENTIFICATION NUMBER</b> <i>Condition:</i> mandatory if more than tree variant codes are required.	<b>D</b>

7402 Identity number R an..35  
Variant code

7405 Identity number qualifier R an..3  
*Value:* AE = 4th structure element name

4405 Status, coded N

**C206 IDENTIFICATION NUMBER D**

*Condition:*  
mandatory if more than four variant codes are required.

7402 Identity number R an..35  
Variant code

7405 Identity number qualifier R an..3  
*Value:* AF = 5th structure element name

4405 Status, coded N

Example: GIR+1+987054321A:AB'

<b>13-SEQ.GIR</b>	<b>RELATED IDENTIFICATION NUMBERS</b>	<b>D</b>
	<i>Condition:</i> mandatory if more than 5 variant codes are used.	
<b>7297</b>	<b>SET IDENTIFICATION QUALIFIER</b>	<b>M an..3</b>
	Value: 1 = product	
<b>C206</b>	<b>IDENTIFICATION NUMBER</b>	<b>M</b>
7402	Identity number Variant code.	M an..35
7405	Identity number qualifier Value: AG = 6th structure element name	R an..3
4405	Status, coded	N
<b>C206</b>	<b>IDENTIFICATION NUMBER</b>	<b>D</b>
	<i>Condition:</i> mandatory if more than six variant codes are required.	
7402	Identity number Variant code.	R an..35
7405	Identity number qualifier Value: AH = 7th structure element name	R an..3
4405	Status, coded	N
<b>C206</b>	<b>IDENTIFICATION NUMBER</b>	<b>D</b>
	<i>Condition:</i> mandatory if more than seven variant codes are required.	
7402	Identity number Variant code.	R an..35
7405	Identity number qualifier Value: AI = 8th structure element name	R an..3
4405	Status, coded	N

<b>C206</b>	<b>IDENTIFICATION NUMBER</b> <i>Condition:</i> mandatory if more than eight variant codes are required.	<b>D</b>
7402	Identity number Variant code.	R an..35
7405	Identity number qualifier <i>Value:</i> AJ = 9th structure element name	R an..3
4405	Status, coded	N
<b>C206</b>	<b>IDENTIFICATION NUMBER</b>  Example: GIR+1+1011121314B:AG'	<b>N</b>



<b>18-SEQ.LIN</b>	<b>LINE ITEM</b>	<b>D 1 (9999)</b>
	To identify a line item	
	<i>Condition:</i> Mandatory when article number is required	
<b>1082</b>	<b>LINE ITEM NUMBER</b>	<b>N</b>
<b>1229</b>	<b>ACTION REQUEST/NOTIFICATION, CODED</b>	<b>N</b>
<b>C212</b>	<b>ITEM NUMBER IDENTIFICATION</b>	<b>R</b>
7140	Item number Article number.	R an..35
7143	Item number type, coded <i>Value:</i> IN = buyer's/Volvo's article number	R an..3
1131	Code list qualifier	N
3055	Code list responsible agency, coded	N
<b>C829</b>	<b>SUB-LINE INFORMATION</b>	<b>N</b>
<b>1222</b>	<b>CONFIGURATION LEVEL</b>	<b>N</b>
<b>7083</b>	<b>CONFIGURATION, CODED</b>	<b>N</b>
	Example: LIN+++9417416:IN'	

**20-SEQ.LIN.IMD ITEM DESCRIPTION D 1 (10)**

*Condition:*  
required if further clarification of the item is needed.

<b>7077</b>	<b>ITEM DESCRIPTION TYPE, CODED</b>	<b>N</b>
<b>7081</b>	<b>ITEM CHARACTERISTIC, CODED</b>	<b>N</b>
<b>C273</b>	<b>ITEM DESCRIPTION</b>	<b>R</b>
7009	Item description identification	N
1131	Code list qualifier	N
3055	Code list responsible agency, coded	N
7008	Item description Volvo's article description.	R an..35
7008	Item description	N
3453	Language, coded	N
<b>7383</b>	<b>SURFACE LEVEL INDICATOR, CODED</b>	<b>N</b>
	Example: IMD+++:::BOLT'	

---

<b>29-SEQ.LIN.</b>	<b>LOC LOCATION IDENTIFICATION</b>	<b>D 1 (5)</b>
	Identity of the final delivery point.	
	<i>Condition:</i> Used after special agreement	
<b>3227</b>	<b>LOCATION QUALIFIER</b>	<b>M an..3</b>
	<i>Value:</i> 159 = additional internal destination	
<b>C517</b>	<b>PLACE/LOCATION IDENTIFICATION</b>	<b>R</b>
3225	Place/Location identification, coded Final unloading point (to be printed on the transport-label in the filed "Dock and Gate").	R an..17 (an..25)
1131	Code list qualifier	N
3055	Code list responsible agency, coded	N
3224	Location	N
<b>C519</b>	<b>REL. LOCATION ONE IDENTIFICATION</b>	<b>N</b>
<b>C553</b>	<b>REL. LOCATION TWO IDENTIFICATION</b>	<b>N</b>
<b>5479</b>	<b>RELATION, CODED</b>	<b>N</b>
	Example: LOC+159+TCOB2'	

**32-SEQ.LIN.QTY QUANTITY D 2 (100)***Condition:*

This segment is Mandatory in case of sequence deliveries.

**C186 QUANTITY DETAILS M**

6063	Quantity qualifier Value: 131 = delivery quantity	M an..3
6060	Quantity	M n..10 (n..15)
6411	Measure unit qualifier	D an..3

*Conditions:*

Default value is PCE (piece).

Example: QTY+131:1'

**32-SEQ.LIN.QTY QUANTITY D***Condition:*

This segment is Mandatory in case of direct deliveries.

**C186 QUANTITY DETAILS M**

6063	Quantity qualifier Value: 167 = total delivery quantity	M an..3
6060	Quantity	M n..10 (n..15)
6411	Measure unit qualifier	D an..3

*Conditions:*

Default value is PCE (piece).

Example: QTY+167:160'

**34-SEQ.LIN.QTY.DTM DATE/TIME/PERIOD D 2***Condition:*

This segment is only used in case of sequence deliveries.

**C507 DATE/TIME/PERIOD M**

2005	Date/Time/Period qualifier Value: 2 = Delivery date/time	M an..3
2380	Date/Time/Period	R n..12 (an..35)
2379	Date/Time/Period format qualifier Value: 203 = CCYYMMDDHHMM	R an..3

Example: DTM+2:199803171629'

<b>37-FTX</b>	<b>FREE TEXT</b>	<b>D 5 (5)</b>
	Conditions: To be used as per agreement.	
<b>4451</b>	<b>TEXT SUBJECT QUALIFIER</b>	<b>M an..3</b>
	Value:     AAI = general information PRD = product information	
<b>4453</b>	<b>TEXT FUNCTION, CODED</b>	<b>N</b>
<b>C107</b>	<b>TEXT REFERENCE</b>	<b>N</b>
<b>C108</b>	<b>TEXT LITERAL</b>	<b>R</b>
4440	Free text	M an..70
4440	Free text	D an..70
4440	Free text	D an..70
4440	Free text	N
4440	Free text	N
<b>3453</b>	<b>LANGUAGE, CODED</b>	<b>N</b>
	Example: FTX+PRD+++CARONLINE 716403'	

### 3 Example

This example describes a message from Volvo Truck Corporation to supplier 2594 indicating aCREATED NEW situation. The sequence request consists of eight different part numbers.

We describe the same message as per SYNCRO and per DELJIT.

#### Example in Version 3

```

*** Initial service segment according to ISO/EDIFACT ***
    BGM+30:::+971640749118300'
    DTM+137:199704170749:203'
    NAD+CZ+2594::92'
    NAD+BY+22500::91'
    NAD+CN+1001::92'
    LOC+11+020'
    SEQ+3+716403'
    GIR+4+074705542:VV'
(loop 1/8) LIN+++9417416:IN'
           IMD+++:::BOLT'
           LOC+159+TCOB2'
           QTY+131:1'
(loop 2/8) LIN+++9417461:IN'
           IMD+++:::NUT'
           LOC+159+TCOB2'
           QTY+131:1'
(loop 3/8) LIN+++9417431:IN'
           IMD+++:::BOLT'
           LOC+159+TCOB2'
           QTY+131:1'
(loop 4/8) LIN+++9417476:IN'
           IMD+++:::NUT'
           LOC+159+TCOB2'
           QTY+131:1'
(loop 5/8) LIN+++9417446:IN'
           IMD+++:::BOLT'
           LOC+159+TCOB2'
           QTY+131:1'
(loop 6/8) LIN+++9417491:IN'
           IMD+++:::NUT'
           LOC+159+TCOB2'
           QTY+131:1'
(loop 7/8) LIN+++9421044:IN'
           IMD+++:::BOLT'
           LOC+159+TCOB2'
           QTY+131:1'

(loop 8/8) LIN+++9421104:IN'
           IMD+++:::NUT'
           LOC+159+TCOB2'
           QTY+131:1'
           FTX+PRD+++CARONLINE 716403'

```