



Message Specification

## **VOLVO GLOBAL ITEM INFORMATION PRODAT**

Based on:

**PRODAT**

Product data message

**UN D.23A**

Version: D23  
Variant: A  
Issue date: 2026-06-04  
Author: Volvo Digital & IT

---

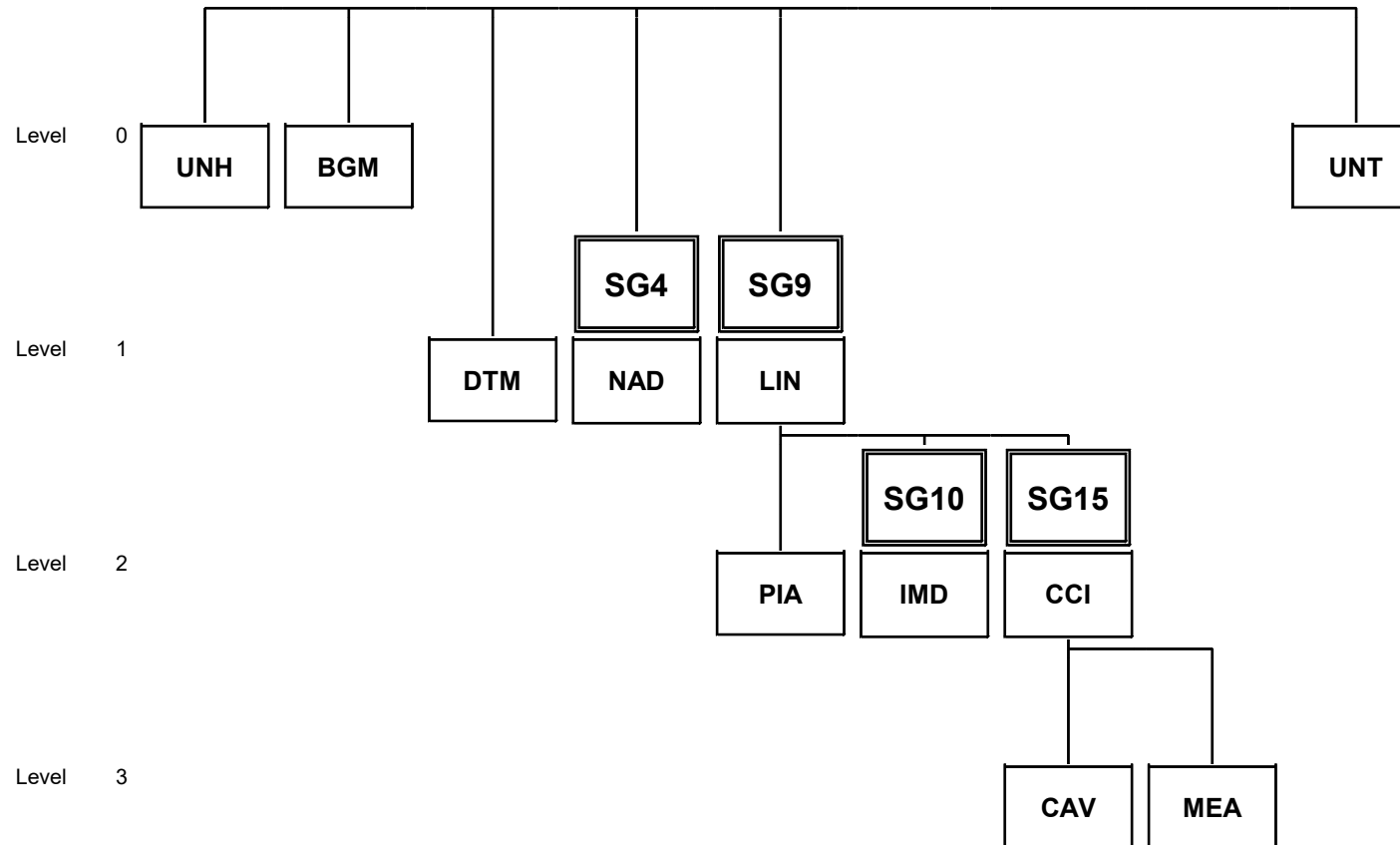
## Message Structure

Counter	No	Tag	St	MaxOcc	Level	Content
0010	1	<b>UNH</b>	M	1	0	Message header
0020	2	<b>BGM</b>	M	1	0	Beginning of message
0030	3	<b>DTM</b>	M	1	1	Message date
0180		<b>SG4</b>	R	1	1	Ship from
0190	4	<b>NAD</b>	M	1	1	Ship from's Name and Address
0180		<b>SG4</b>	R	1	1	Ship to
0190	5	<b>NAD</b>	M	1	1	Ship to's Name and Address
0180		<b>SG4</b>	D	1	1	Seller
0190	6	<b>NAD</b>	M	1	1	Seller's Name and Address
0180		<b>SG4</b>	D	1	1	Buyer
0190	7	<b>NAD</b>	M	1	1	Buyer's Name and Address
0370		<b>SG9</b>	R	1	1	Item level
0380	8	<b>LIN</b>	M	1	1	Line item
0390	9	<b>PIA</b>	R	1	2	Serial number
0390	10	<b>PIA</b>	D	1	2	Engineering change
0460		<b>SG10</b>	R	1	2	IMD
0470	11	<b>IMD</b>	M	1	2	Item description
0630		<b>SG15</b>	R	42	2	CCI-CAV-MEA
0640	12	<b>CCI</b>	M	1	2	Characteristic/class id
0650	13	<b>CAV</b>	R	1	3	Characteristic value
0660	14	<b>MEA</b>	R	1	3	Measurements
1220	15	<b>UNT</b>	M	1	0	Message trailer

Counter = Counter of segment/group within the standard  
 No = Consecutive segment number  
 MaxOcc = Maximum occurrence of the segment/group

St = Status  
 EDIFACT: M=Mandatory, C=Conditional  
 User specific: R=Required, O=Optional, D=Dependent,  
 A=Advised, N=Not used

**Branching Diagram of used segments/groups**



Segment:

**UNH**Seq. No.: 1 Level: 0  
Status: M Max. Occ.: 1  
Counter: 0010

Message header

Name: Message header

UN/EDIFACT		Implementation		
	Name	St Format	St Format	Use / Remarks
UNH 0062	Message reference number	M an..14	M an..14	Message reference number - unique number to identify the message within the interchange, usually a consecutive number starting with 1.
S009	Message identifier	M	M	
0065	Message type	M an..6	M an..6	<b>PRODAT Product data message</b>
0052	Message version number	M an..3	M an..3	<b>D Draft version/UN/EDIFACT Directory</b>
0054	Message release number	M an..3	M an..3	<b>23A Release 2023 - A</b>
0051	Controlling agency, coded	M an..3	M an..3	<b>UN UN/CEFACT</b>

Remark:

Example:

UNH+1+PRODAT:D:23A:UN'

Segment:

**BGM**Seq. No.: 2 Level: 0  
Status: M Max. Occ.: 1  
Counter: 0020

Beginning of message

Name: Beginning of message

UN/EDIFACT			Implementation	
	Name	St Format	St Format	Use / Remarks
BGM				
C002	Document/message name	C	R	
1001	Document name code	C an..3	R an..3	<b>6</b> Product specification report
1131	Code list identification code	C an..17	N	not used
3055	Code list responsible agency code	C an..3	R an..3	<b>6</b> UN/ECE (United Nations - Economic Commission for Europe)
1000	Document name	C an..35	R an..2	<b>PR</b> PRODAT
C106	Document/message identification	C	R	
1004	Document identifier	C an..70	R an..17	Document number

Remark:

Example:

BGM+6:::6:PR+155646'

Segment:

**DTM**Seq. No.: 3 Level: 1  
Status: M Max. Occ.: 1  
Counter: 0030

Date/time/period

Name: Message date

UN/EDIFACT			Implementation	
	Name	St Format	St Format	Use / Remarks
DTM				
C507	Date/time/period	M	M	
2005	Date or time or period function code qualifier	M an..3	M an..3	<b>137 Document issue date time</b>
2380	Date or time or period text	C an..35	R n12	Date (and time) on which a document or business signal was issued.
2379	Date or time or period format code	C an..3	R an..3	<b>203 CCYYMMDDHHMM</b>

Remark:

Example:

DTM+137:202408190918:203'

**Group:** **SG4** Status: R Max. Occ.: 1 Ship from

**Segment:** **NAD** Seq. No.: 4 Level: 1 **Name and address**  
 Status: M Max. Occ.: 1  
 Counter: 0190

**Name:** Ship from's Name and Address

UN/EDIFACT			Implementation	
	Name	St Format	St Format	Use / Remarks
NAD				
3035	Party function code qualifier	M an..3	M an..3	<b>SF Ship from</b>
C082	Party identification details	C	R	
3039	Party identifier	M an..35	M an..35	Ship from party Id
1131	Code list identification code	C an..17	N	not used
3055	Code list responsible agency code	C an..3	C an..3	
C058	Name and address	C	N	not used
3124	Name and address description	M an..35	N	not used
C080	Party name	C	D	
3036	Party name	M an..70	M an..70	Used if the information is required by some means by Volvo.
C059	Street	C	D	
3042	Street and number or post office box identifier	M an..256	M an..35	Used if the information is required by some means by Volvo.
3164	City name	C an..35	D an..35	Used if the information is required by some means by Volvo.
C819	Country subdivision details	C	N	not used
3229	Country subdivision identifier	C an..9	N	not used
1131	Code list identification code	C an..17	N	not used
3055	Code list responsible agency code	C an..3	N	not used
3251	Postal identification code	C an..17	D an..17	Used if the information is required by some means by Volvo.
3207	Country identifier	C an..3	D an..3	Used if the information is required by some means by Volvo.

**Remark:**

The party, which consigns or sends goods.

**Example:**

NAD+SF+10698::92++ACME+ROAD 1+TOWN++12345+DE '

Group: **SG4** Status: R Max. Occ.: 1 Ship to

Segment: **NAD** Seq. No.: 5 Level: 1 Name and address  
 Status: M Max. Occ.: 1  
 Counter: 0190

Name: Ship to's Name and Address

UN/EDIFACT		Implementation		
	Name	St Format	St Format	Use / Remarks
NAD				
3035	Party function code qualifier	M an..3	M an..3	<b>ST Ship to</b>
C082	Party identification details	C	R	
3039	Party identifier	M an..35	M an..35	Ship to party Id
1131	Code list identification code	C an..17	N	not used
3055	Code list responsible agency code	C an..3	C an..3	
C058	Name and address	C	N	not used
3124	Name and address description	M an..35	N	not used
C080	Party name	C	D	
3036	Party name	M an..70	M an..70	Used if the information is required by some means by Volvo.
C059	Street	C	D	
3042	Street and number or post office box identifier	M an..256	M an..35	Used if the information is required by some means by Volvo.
3164	City name	C an..35	D an..35	Used if the information is required by some means by Volvo.
C819	Country subdivision details	C	N	not used
3229	Country subdivision identifier	C an..9	N	not used
3251	Postal identification code	C an..17	D an..17	Used if the information is required by some means by Volvo.
3207	Country identifier	C an..3	D an..3	Used if the information is required by some means by Volvo.

**Remark:**

The party to which goods are to be shipped (consigned)

**Example:**

NAD+ST+01622::92++Volvo Powertrain Corporation+Volvovägen 5 F-Port+SKOVDE++54187+SE'

**Group:** **SG4** Status: D Max. Occ.: 1 Seller

**Segment:** **NAD** Seq. No.: 6 Level: 1 **Name and address**  
 Status: M Max. Occ.: 1  
 Counter: 0190

**Name:** **Seller's Name and Address**

UN/EDIFACT			Implementation	
	Name	St Format	St Format	Use / Remarks
NAD				
3035	Party function code qualifier	M an..3	M an..3	<b>SE Seller</b>
C082	Party identification details	C	R	
3039	Party identifier	M an..35	M an..35	Seller Id
1131	Code list identification code	C an..17	N	not used
3055	Code list responsible agency code	C an..3	C an..3	
C058	Name and address	C	N	not used
3124	Name and address description	M an..35	N	not used
C080	Party name	C	D	
3036	Party name	M an..70	M an..70	Used if the information is required by some means by Volvo.
C059	Street	C	D	
3042	Street and number or post office box identifier	M an..256	M an..35	Used if the information is required by some means by Volvo.
3164	City name	C an..35	D an..35	Used if the information is required by some means by Volvo.
C819	Country subdivision details	C	N	not used
3229	Country subdivision identifier	C an..9	N	not used
1131	Code list identification code	C an..17	N	not used
3055	Code list responsible agency code	C an..3	N	not used
3251	Postal identification code	C an..17	D an..17	Used if the information is required by some means by Volvo.
3207	Country identifier	C an..3	D an..3	Used if the information is required by some means by Volvo.

**Remark:**

Name and address information to be used in agreement between concerned parties.

**Example:**

NAD+SE+10698::92++ACME+ROAD 1+TOWN++12345+DE '

Group: **SG4** Status: D Max. Occ.: 1 Buyer

Segment: **NAD** Seq. No.: 7 Level: 1 Name and address  
 Status: M Max. Occ.: 1  
 Counter: 0190

Name: **Buyer's Name and Address**

UN/EDIFACT			Implementation	
	Name	St Format	St Format	Use / Remarks
NAD				
3035	Party function code qualifier	M an..3	M an..3	<b>BY Buyer</b>
C082	Party identification details	C	R	
3039	Party identifier	M an..35	M an..35	Buyer Id
1131	Code list identification code	C an..17	N	not used
3055	Code list responsible agency code	C an..3	C an..3	
C058	Name and address	C	N	not used
3124	Name and address description	M an..35	N	not used
C080	Party name	C	D	
3036	Party name	M an..70	M an..70	Used if the information is required by some means by Volvo.
C059	Street	C	D	
3042	Street and number or post office box identifier	M an..256	M an..3	Used if the information is required by some means by Volvo.
3164	City name	C an..35	D an..35	Used if the information is required by some means by Volvo.
C819	Country subdivision details	C	N	not used
3229	Country subdivision identifier	C an..9	N	not used
1131	Code list identification code	C an..17	N	not used
3055	Code list responsible agency code	C an..3	N	not used
3251	Postal identification code	C an..17	D an..17	Used if the information is required by some means by Volvo.
3207	Country identifier	C an..3	D an..3	Used if the information is required by some means by Volvo.

**Remark:**

Name and address information to be used in agreement between concerned parties.

**Example:**

NAD+BY+01622::92++Volvo Powertrain Corporation+Volvovägen 5 F-Port+SKOVDE++54187+SE'

**Group:** **SG9** Status: R Max. Occ.: 1 Item level

**Segment:** **LIN** Seq. No.: 8 Level: 1 **Line item**  
 Status: M Max. Occ.: 1  
 Counter: 0380

**Name:** Line item

UN/EDIFACT			Implementation	
	Name	St Format	St Format	Use / Remarks
LIN 1082	Line item identifier	C an..6	R an..6	Sequential number generated by the sender to identify a line item within a message. It is recommended to start with value 1 and to increment by 1 for each new line.
1229	Action code	C an..3	N	not used
C212	Item number identification	C	R	
7140	Item identifier	C an..35	R an..35	Volvo's article/item number
7143	Item type identification code	C an..3	R an..3	<b>IN Buyer's item number</b>

**Remark:**

**Example:**

LIN+1+++484549159:IN'

**Group:** **SG9** Status: R Max. Occ.: 1 Item level

**Segment:** **PIA** Seq. No.: 9 Level: 2 **Additional product id**  
 Status: R Max. Occ.: 1  
 Counter: 0390

**Name:** Serial number

UN/EDIFACT			Implementation	
	Name	St Format	St Format	Use / Remarks
PIA				
4347	Product identifier code qualifier	M an..3	M an..3	<b>1 Additional identification</b>
C212	Item number identification	M	M	
7140	Item identifier	C an..35	R an..35	Serial number
7143	Item type identification code	C an..3	R an..3	<b>SN Serial number</b>

**Remark:**

**Example:**

PIA+1+48964-49:SN'

**Group:** **SG9** Status: R Max. Occ.: 1 Item level

**Segment:** **PIA** Seq. No.: 10 Level: 2 **Additional product id**  
 Status: D Max. Occ.: 1  
 Counter: 0390

**Name:** Engineering change

UN/EDIFACT			Implementation	
	Name	St Format	St Format	Use / Remarks
PIA				
4347	Product identifier code qualifier	M an..3	M an..3	<b>1 Additional identification</b>
C212	Item number identification	M	M	
7140	Item identifier	C an..35	R an..35	Part number and version
7143	Item type identification code	C an..3	R an..3	Used if there is a new drawing revision number. <b>DR Drawing revision number</b>

**Remark:**

Used if there is a new drawing revision number.

**Example:**

PIA+1+484549159-49:DR'

**Group:** **SG9** Status: R Max. Occ.: 1 Item level

**Group:** **SG10** Status: R Max. Occ.: 1 IMD

**Segment:** **IMD** Seq. No.: 11 Level: 2 **Item description**  
 Status: M Max. Occ.: 1  
 Counter: 0470

**Name:** **Item description**

UN/EDIFACT			Implementation	
	Name	St Format	St Format	Use / Remarks
IMD				
7077	Description format code	C an..3	N	not used
C272	Item characteristic	C	R	
7081	Item characteristic code	C an..3	R an..3	<b>8 Product</b>
C273	Item description	C	R	
7009	Item description code	C an..17	R an..17	<b>1 CYLINDER BLOCK</b> <b>2 CRANKSHAFT</b> 42 measurement values are required for the cylinder block and 21 measurement values are required for the Crankshaft
1131	Code list identification code	C an..17	N	not used
3055	Code list responsible agency code	C an..3	C an..3	<b>92 Assigned by buyer or buyer's agent</b>

**Remark:**

**Example:**

IMD++8+1:::92'

**Group:** **SG9** Status: R Max. Occ.: 1 Item level

**Group:** **SG15** Status: R Max. Occ.: 42 CCI-CAV-MEA

Segment group 15 must be iterated 42 times for a cylinder block (Code 1 in IMD7009) and 21 times for a crank shaft (Code 2 in IMD7009)

**Segment:** **CCI** Seq. No.: 12 Level: 2 **Characteristic/class id**  
 Status: M Max. Occ.: 1  
 Counter: 0640

**Name:** **Characteristic/class id**

UN/EDIFACT			Implementation	
	Name	St Format	St Format	Use / Remarks
CCI 7059	Class type code	C an..3	R an..3	<b>11</b> <b>Product</b>

**Remark:**

**Example:**

CCI+11'

**Group:** **SG9** Status: R Max. Occ.: 1 Item level

**Group:** **SG15** Status: R Max. Occ.: 42 CCI-CAV-MEA

Segment group 15 must be iterated 42 times for a cylinder block (Code 1 in IMD7009) and 21 times for a crank shaft (Code 2 in IMD7009)

**Segment:** **CAV** Seq. No.: 13 Level: 3 **Characteristic value**  
 Status: R Max. Occ.: 1  
 Counter: 0650

**Name:** **Characteristic value**

UN/EDIFACT			Implementation	
	Name	St Format	St Format	Use / Remarks
CAV				
C889	Characteristic value	M	M	
7111	Characteristic value description code	C an..3	R an..3	<b>VMO Measurement object</b>
1131	Code list identification code	C an..17	R an..17	Usage of codes will be communicated via a separate document provided by Group Truck Technology (GTT)

**Remark:**

**Example:**

CAV+VMO:1FPA'

**Group:** **SG9** Status: R Max. Occ.: 1 Item level

**Group:** **SG15** Status: R Max. Occ.: 42 CCI-CAV-MEA

Segment group 15 must be iterated 42 times for a cylinder block (Code 1 in IMD7009) and 21 times for a crank shaft (Code 2 in IMD7009)

**Segment:** **MEA** Seq. No.: 14 Level: 3 **Measurements**  
 Status: R Max. Occ.: 1  
 Counter: 0660

**Name:** **Measurements**

UN/EDIFACT			Implementation	
	Name	St Format	St Format	Use / Remarks
MEA				
6311	Measurement purpose code qualifier	M an..3	M an..3	<b>AAE Measurement</b>
C502	Measurement details	C	N	not used
6313	Measured attribute code	C an..3	N	not used
C174	Value/range	C	R	
6411	Measurement unit code	C an..8	R an..8	<b>MMT millimetre</b>
6314	Measure	C an..18	R an..12	Measurement format is communicated via a separate document provided by Group Truck Technology (GTT) Dot "." shall be used as a separator. 4 decimals are required.

**Remark:**

**Example:**

MEA+AAE++MMT:015.6980'

Segment:

**UNT**Seq. No.: 15 Level: 0  
Status: M Max. Occ.: 1  
Counter: 1220

Message trailer

Name: Message trailer

UN/EDIFACT			Implementation	
	Name	St Format	St Format	Use / Remarks
UNT				
0074	Number of segments in a message	M n..10	M n..10	
0062	Message reference number	M an..14	M an..14	

Remark:

Example:

UNT+15+1'