



Message Specification

VOLVO GLOBAL DELFOR D04A

Based on:

DELFOR

Delivery schedule message

UN D.04A S3; JAIF

Version: 2
Variant: 2
Issue date: 2025-02-05
Author: Volvo Group IT

Message Structure

Counter	No	Tag	St	MaxOcc	Level	Content
0010	1	UNH	M	1	0	Message header
0020	2	BGM	M	1	0	Beginning of message
0030	3	DTM	M	1	1	Document Issue Date
0030	4	DTM	R	1	1	Validity Start Date
0030	5	DTM	D	1	1	Expiry Date
0080		SG2	R	1	1	Buyer
0090	6	NAD	M	1	1	Buyer's Name and Address
0080		SG2	D	1	1	Delivery Party
0090	7	NAD	M	1	1	Delivery Party's Name and Address
0080		SG2	R	1	1	Seller
0090	8	NAD	M	1	1	Seller's Name and Address
0080		SG2	D	1	1	Ship From
0090	9	NAD	M	1	1	Ship From's Name and Address
0080		SG2	D	1	1	Ultimate Customer
0090	10	NAD	M	1	1	Ultimate Customer's Name and Address
0190		SG6	R	9999	1	Ship-to level (instruction line)
0200	11	GEI	M	1	1	Processing information
0210		SG7	R	1	2	Ship-to
0220	12	NAD	M	1	2	Ship To's Name and Address
0310		SG10	D	1	3	Material Control Contact
0320	13	CTA	M	1	3	Material Control Contact
0330	14	COM	R	1	4	Communication contact
0370		SG12	R	9999	2	Scheduled Article Details
0380	15	LIN	M	1	2	Line item
0390	16	PIA	D	1	3	Additional product id
0400	17	IMD	D	1	3	Item description
0410	18	MEA	D	1	3	Measurements
0450	19	LOC	R	1	3	Place of discharge
0450	20	LOC	R	1	3	Internal place of destination
0460	21	DTM	R	1	3	Date/time/period
0480		SG13	R	1	3	Order reference
0490	22	RFF	M	1	3	Order reference
0480		SG13	D	1	3	Reference to Previous Delivery Instruction
0490	23	RFF	M	1	3	Previous Delivery Instruction
0580		SG16	D	1	3	Order balance
0590	24	QTY	M	1	3	Order balance
0580		SG16	D	1	3	In transit
0590	25	QTY	M	1	3	In transit quantity
0580		SG16	D	1	3	Backorder

Counter = Counter of segment/group within the standard
 No = Consecutive segment number
 MaxOcc = Maximum occurrence of the segment/group

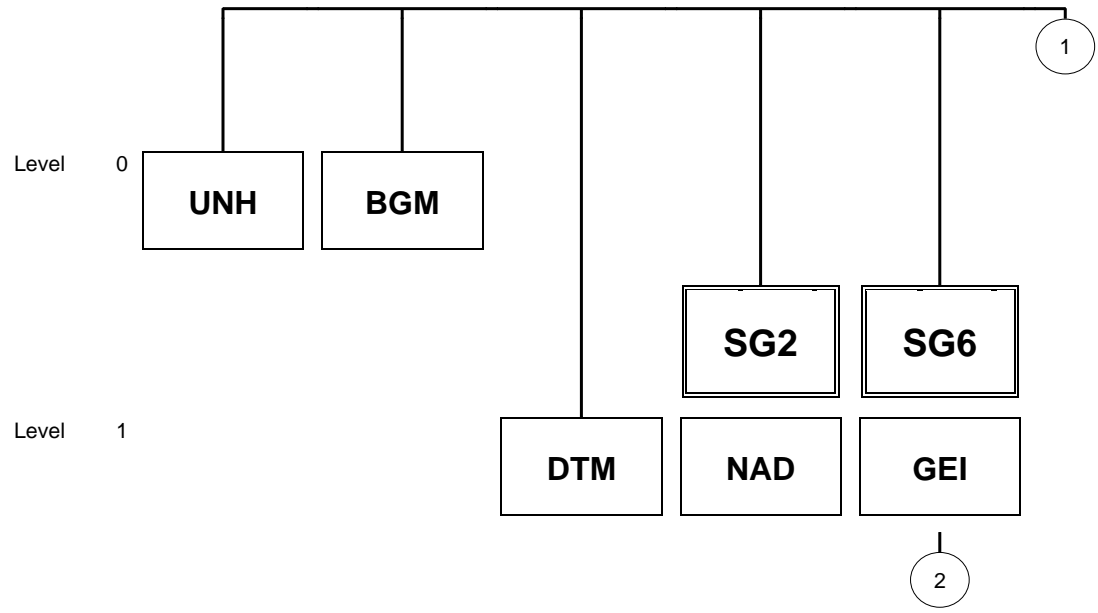
St = Status
 EDIFACT: M=Mandatory, C=Conditional
 User specific: R=Required, O=Optional, D=Dependent,
 A=Advised, N=Not used

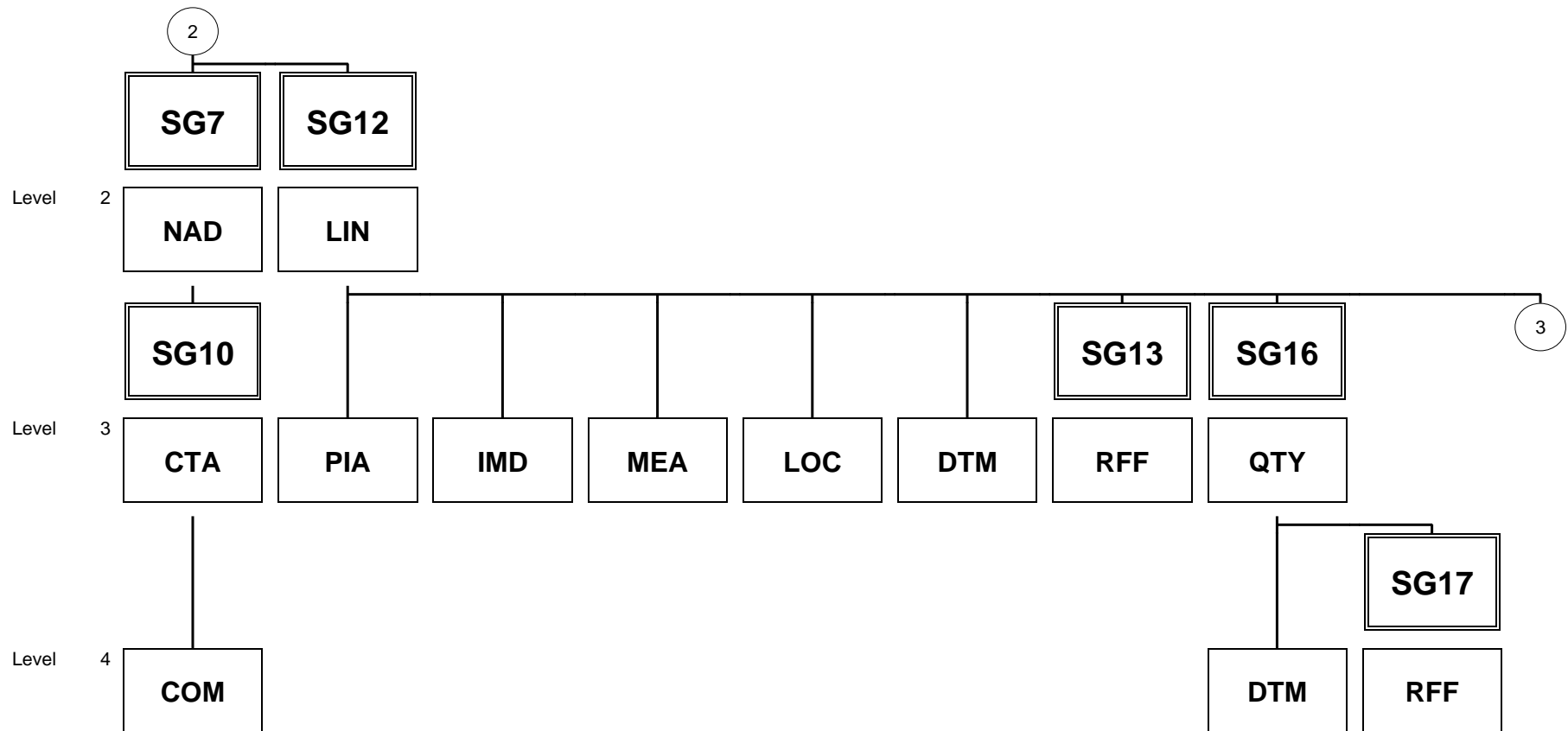
Counter	No	Tag	St	MaxOcc	Level	Content
0590	26	QTY	M	1	3	Backorder quantity
0580		SG16	R	1	3	Cumulative quantities
0590	27	QTY	M	1	3	Cumulative quantities
0600	28	DTM	R	1	4	Cumulative quantity date(s)
0580		SG16	D	99	3	Previous despatch note numbers
0590	29	QTY	M	1	3	Despatched/Received quantities
0600	30	DTM	D	1	4	Despatch/Received dates
0610		SG17	R	1	4	Despatch / receiving document reference
0620	31	RFF	M	1	4	Reference
0640		SG18	R	999	3	Scheduling data
0650	32	SCC	M	1	3	Scheduling conditions
0660		SG19	R	1	4	Scheduled quantity
0670	33	QTY	M	1	4	Quantity
0680	34	DTM	R	1	5	Scheduled dates
0690		SG20	D	1	5	Reference documents
0700	35	RFF	M	1	5	Reference
0640		SG18	D	999	3	Authorization / Commitment
0650	36	SCC	M	1	3	Scheduling conditions
0660		SG19	R	1	4	Date(s) and quantities
0670	37	QTY	M	1	4	Quantity
0680	38	DTM	D	2	5	Authorisation period
1110	39	UNT	M	1	0	Message trailer

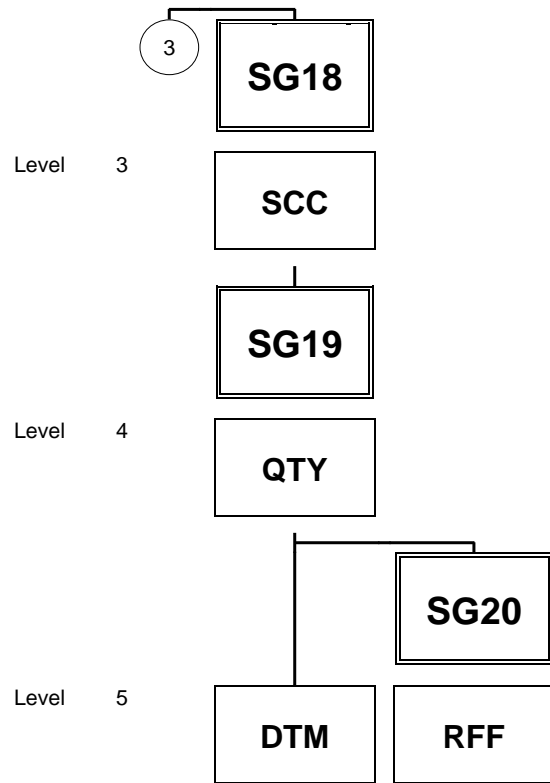
Counter = Counter of segment/group within the standard
 No = Consecutive segment number
 MaxOcc = Maximum occurrence of the segment/group

St = Status
 EDIFACT: M=Mandatory, C=Conditional
 User specific: R=Required, O=Optional, D=Dependent,
 A=Advised, N=Not used

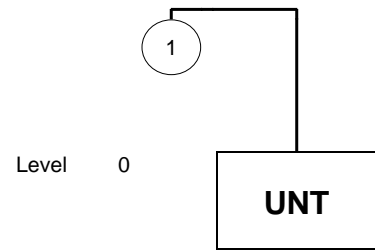
Branching Diagram of Used Segments/Groups







VOLVO GLOBAL DELFOR D04A



VOLVO GLOBAL DELFOR D04A

Segment details

Segment: UNH
 Seq. No.: 1 Level: 0 **Message header**
 Status: M Max. Occ.: 1
 Counter: 0010

Name: Message header

Description of segment:

UN/EDIFACT			Implementation	
	Name	St Format	St Format	Use / Remarks
UNH				
0062	Message reference number	M an..14	M an..14	Message reference number should be unique for an agreed period of time (e.g. calendar year, model year).
S009	Message identifier	M	M	
0065	Message type	M an..6	M an..6	DELFOR Delivery Forecast message
0052	Message version number	M an..3	M an..3	D Draft version/UN/EDIFACT Directory
0054	Message release number	M an..3	M an..3	04A Release 2004 - A
0051	Controlling agency	M an..2	M an..2	UN UN/CEFACT
0057	Association assigned code	C an..6	R an..6	Identification of the subset release, assigned by the responsible organisation (Odette resp. joint automotive initiative forum). GBSD11 Volvo Group DELFOR D04A (2014 version)

Remark:

Example:

UNH+123456+DELFOR:D:04A:UN:GBSD11'

VOLVO GLOBAL DELFOR D04A

Segment details

Segment: BGM
 Seq. No.: 2 Level: 0 **Beginning of message**
 Status: M Max. Occ.: 1
 Counter: 0020

Name: Beginning of message

Description of segment:

UN/EDIFACT			Implementation	
	Name	St Format	St Format	Use / Remarks
BGM				
C002	Document/message name	C	R	
1001	Document name code	C an..3	R an..3	236 Delivery forecast 241 Delivery schedule Code 236 - DELFOR message contains only forecasting figures Code 241 - DELFOR contains forecasting and firm figures (combination of firm instructions and forecasting figures)
1131	Code list identification code	C an..17	N	not used
3055	Code list responsible agency code	C an..3	N	not used
1000	Document name	C an..35	C an..35	DF Code indicating DELFOR message
C106	Document/message identification	C	R	
1004	Document identifier	C an..35	R an..35	Delivery Schedule number.

Remark:

Example:

BGM+236:::DF+200607110102'
 BGM+241:::DF+200607110102'

VOLVO GLOBAL DELFOR D04A

Segment details

Segment: DTM
 Seq. No.: 3 Level: 1 Date/time/period
 Status: M Max. Occ.: 1
 Counter: 0030

Name: Document Issue Date

Description of segment:

UN/EDIFACT			Implementation	
	Name	St Format	St Format	Use / Remarks
DTM				
C507	Date/time/period	M	M	
2005	Date or time or period function code qualifier	M an..3	M an..3	137 Document/message date/time
2380	Date or time or period text	C an..35	R n8	Date on which a document or business signal was issued.
2379	Date or time or period format code	C an..3	R an..3	102 CCYMMDD

Remark:

Example:

DTM+137:20060711:102'

VOLVO GLOBAL DELFOR D04A

Segment details

Segment: DTM
 Seq. No.: 4 Level: 1 **Date/time/period**
 Status: R Max. Occ.: 1
 Counter: 0030

Name: **Validity Start Date**

Description of segment:

UN/EDIFACT			Implementation	
	Name	St Format	St Format	Use / Remarks
DTM				
C507	Date/time/period	M	M	
2005	Date or time or period function code qualifier	M an..3	M an..3	157 Validity start date
2380	Date or time or period text	C an..35	R n8	Start date of a given period.
2379	Date or time or period format code	C an..3	R an..3	102 CCYMMDD

Remark:

The date from when the new Delivery Schedule is valid.

Example:

DTM+157:20060710:102'

VOLVO GLOBAL DELFOR D04A

Segment details

Segment: DTM
 Seq. No.: 5 Level: 1 **Date/time/period**
 Status: D Max. Occ.: 1
 Counter: 0030

Name: Expiry Date

Description of segment:

UN/EDIFACT			Implementation	
	Name	St Format	St Format	Use / Remarks
DTM				
C507	Date/time/period	M	M	
2005	Date or time or period function code qualifier	M an..3	M an..3	36 Expiry date
2380	Date or time or period text	C an..35	R n8	End date of a given period.
2379	Date or time or period format code	C an..3	R an..3	102 CCYMMDD

Remark:

The end date of the validity period for the new Delivery Schedule.
 This segment will be used if replacement of a certain time period of the schedule is done (i.e. if SG12.LIN.1229=9).

Example:

DTM+36:20060830:102'

VOLVO GLOBAL DELFOR D04A

Segment details

Group: SG2 Status: R Max. Occ.: 1 Buyer

Segment: NAD Seq. No.: 6 Level: 1 **Name and address**
 Status: M Max. Occ.: 1
 Counter: 0090

Name: **Buyer's Name and Address**

Description of segment:

UN/EDIFACT		Implementation		
	Name	St Format	St Format	Use / Remarks
NAD				
3035	Party function code qualifier	M an..3	M an..3	BY Buyer
C082	Party identification details	C	R	
3039	Party identifier	M an..35	M an..35	Buyer ID.
1131	Code list identification code	C an..17	N	not used
3055	Code list responsible agency code	C an..3	R an..3	92 Assigned by buyer or buyer's agent
C058	Name and address	C	N	not used
3124	Name and address description	M an..35	N	not used
C080	Party name	C	C	
3036	Party name	M an..35	M an..35	Single text line for specification of a name.
C059	Street	C	C	
3042	Street and number or post office box identifier	M an..35	M an..35	The name that identifies the location of a house or building; usually within a street as part of an address.
3042	Street and number or post office box identifier	C an..35	C an..35	
3042	Street and number or post office box identifier	C an..35	N	not used
3164	City name	C an..35	C an..35	The name of the city, town, or village of this address.
C819	Country sub-entity details	C	C	
3229	Country sub-entity name code	C an..9	R an..9	State or region within a country. The use of UN LoCodes is recommended.
3251	Postal identification code	C an..17	C an..17	Postal code/Zip code
3207	Country name code	C an..3	C an..3	Provides the country part of an address using a code. Use ISO3166 two alpha code.

Remark:

Volvo's identification of the buying company.

Example:

NAD+BY+1020::92++VOLVO LASTVAGNAR AB+TUVE+GÖTEBORG++40508+SE'

VOLVO GLOBAL DELFOR D04A

Segment details

Group: **SG2** Status: D Max. Occ.: 1 Delivery Party
Segment: **NAD** Seq. No.: 7 Level: 1 **Name and address**
 Status: M Max. Occ.: 1
 Counter: 0090

Name: **Delivery Party's Name and Address**

Description of segment:

UN/EDIFACT			Implementation	
	Name	St Format	St Format	Use / Remarks
NAD				
3035	Party function code qualifier	M an..3	M an..3	DP Delivery party
C082	Party identification details	C	C	
3039	Party identifier	M an..35	M an..35	Delivery Party ID.
1131	Code list identification code	C an..17	N	not used
3055	Code list responsible agency code	C an..3	R an..3	92 Assigned by buyer or buyer's agent
C058	Name and address	C	N	not used
3124	Name and address description	M an..35	N	not used
C080	Party name	C	C	
3036	Party name	M an..35	M an..35	Single text line for specification of a name.
C059	Street	C	C	
3042	Street and number or post office box identifier	M an..35	M an..35	The name that identifies the location of a house or building; usually within a street as part of an address.
3042	Street and number or post office box identifier	C an..35	C an..35	
3042	Street and number or post office box identifier	C an..35	N	not used
3164	City name	C an..35	C an..35	The name of the city, town, or village of this address.
C819	Country sub-entity details	C	C	
3229	Country sub-entity name code	C an..9	R an..9	State or region within a country. The use of UN LoCodes is recommended.
3251	Postal identification code	C an..17	C an..17	Postal code/Zip code
3207	Country name code	C an..3	C an..3	Provides the country part of an address using a code. Use ISO3166 two alpha code.

Remark:

Volvo's identification of sub-contractor or third party delivery center.
 A third party (different from the buyer and the consignee) to whom goods are delivered before the final delivery to the identified consignee.
 It could be used for transportation purposes or production reasons (sub-contractor, etc).

Example:

NAD+DP+12345: :92++DELIVERY PARTY COMPANY+SMALLROAD+SMALLTOWN++DE5409+DE'

VOLVO GLOBAL DELFOR D04A

Segment details

Group: **SG2** Status: R Max. Occ.: 1 Seller

Segment: **NAD** Seq. No.: 8 Level: 1 **Name and address**
 Status: M Max. Occ.: 1
 Counter: 0090

Name: **Seller's Name and Address**

Description of segment:

UN/EDIFACT			Implementation	
	Name	St Format	St Format	Use / Remarks
NAD				
3035	Party function code qualifier	M an..3	M an..3	SE Seller
C082	Party identification details	C	R	
3039	Party identifier	M an..35	M an..35	Seller ID.
1131	Code list identification code	C an..17	N	not used
3055	Code list responsible agency code	C an..3	R an..3	92 Assigned by buyer or buyer's agent
C058	Name and address	C	N	not used
3124	Name and address description	M an..35	N	not used
C080	Party name	C	C	
3036	Party name	M an..35	M an..35	Single text line for specification of a name.
C059	Street	C	C	
3042	Street and number or post office box identifier	M an..35	M an..35	The name that identifies the location of a house or building; usually within a street as part of an address.
3042	Street and number or post office box identifier	C an..35	C an..35	
3042	Street and number or post office box identifier	C an..35	N	not used
3164	City name	C an..35	C an..35	The name of the city, town, or village of this address.
C819	Country sub-entity details	C	C	
3229	Country sub-entity name code	C an..9	R an..9	State or region within a country. The use of UN LoCodes is recommended.
3251	Postal identification code	C an..17	C an..17	Postal code/Zip code
3207	Country name code	C an..3	C an..3	Provides the country part of an address using a code. Use ISO3166 two alpha code.

Remark:

Volvo's identification of the seller.
 The party who has liability to fulfill the contract.

Example:

NAD+SE+11122::92++SELLER COMPANY+SELLERROAD+SELLERTOWN++DE5409+DE '

VOLVO GLOBAL DELFOR D04A

Segment details

Group: **SG2** Status: D Max. Occ.: 1 Ship From

Segment: **NAD** Seq. No.: 9 Level: 1 **Name and address**
 Status: M Max. Occ.: 1
 Counter: 0090

Name: Ship From's Name and Address

Description of segment:

UN/EDIFACT		Implementation		
	Name	St Format	St Format	Use / Remarks
NAD				
3035	Party function code qualifier	M an..3	M an..3	SF Ship from
C082	Party identification details	C	C	
3039	Party identifier	M an..35	M an..35	Ship From ID.
1131	Code list identification code	C an..17	N	not used
3055	Code list responsible agency code	C an..3	R an..3	92 Assigned by buyer or buyer's agent
C058	Name and address	C	N	not used
3124	Name and address description	M an..35	N	not used
C080	Party name	C	C	
3036	Party name	M an..35	M an..35	Single text line for specification of a name.
C059	Street	C	C	
3042	Street and number or post office box identifier	M an..35	M an..35	The name that identifies the location of a house or building; usually within a street as part of an address.
3042	Street and number or post office box identifier	C an..35	C an..35	
3042	Street and number or post office box identifier	C an..35	N	not used
3164	City name	C an..35	C an..35	The name of the city, town, or village of this address.
C819	Country sub-entity details	C	C	
3229	Country sub-entity name code	C an..9	R an..9	State or region within a country. The use of UN LoCodes is recommended.
3251	Postal identification code	C an..17	C an..17	Postal code/Zip code
3207	Country name code	C an..3	C an..3	Provides the country part of an address using a code. Use ISO3166 two alpha code.

Remark:

Volvo's identification of the Ship From.
 The party, which consigns or sends goods.

Example:

NAD+SF+56789::92++SHIP FROM COMPANY+SFRoad+SFTown++DE5409+DE'

VOLVO GLOBAL DELFOR D04A

Segment details

Group: **SG2** Status: D Max. Occ.: 1 Ultimate Customer

Segment: **NAD** Seq. No.: 10 Level: 1 **Name and address**
 Status: M Max. Occ.: 1
 Counter: 0090

Name: **Ultimate Customer's Name and Address**

Description of segment:

UN/EDIFACT		Implementation		
	Name	St Format	St Format	Use / Remarks
NAD				
3035	Party function code qualifier	M an..3	M an..3	UD Ultimate customer
C082	Party identification details	C	C	
3039	Party identifier	M an..35	M an..35	Ultimate Customer ID.
1131	Code list identification code	C an..17	N	not used
3055	Code list responsible agency code	C an..3	R an..3	92 Assigned by buyer or buyer's agent
C058	Name and address	C	N	not used
3124	Name and address description	M an..35	N	not used
C080	Party name	C	C	
3036	Party name	M an..35	M an..35	Single text line for specification of a name.
C059	Street	C	C	
3042	Street and number or post office box identifier	M an..35	M an..35	The name that identifies the location of a house or building; usually within a street as part of an address.
3042	Street and number or post office box identifier	C an..35	C an..35	
3042	Street and number or post office box identifier	C an..35	N	not used
3164	City name	C an..35	C an..35	The name of the city, town, or village of this address.
C819	Country sub-entity details	C	C	
3229	Country sub-entity name code	C an..9	R an..9	State or region within a country. The use of UN LoCodes is recommended.
3251	Postal identification code	C an..17	C an..17	Postal code/Zip code
3207	Country name code	C an..3	C an..3	Provides the country part of an address using a code. Use ISO3166 two alpha code.

Remark:

Volvo's identification of the Ultimate customer.
 The ultimate customer is the final recipient of the goods. Used to state the final customer if different from the Buyer or Ship-To.

Example:

NAD+UD+1001::92++VOLVO LASTVAGNAR AB+TUVE+GÖTEBORG++40508+SE'

VOLVO GLOBAL DELFOR D04A

Segment details

Group: **SG6** Status: R Max. Occ.: 9999 Ship-to level (instruction line)

Segment: **GEI** Seq. No.: 11 Level: 1 **Processing information**
 Status: M Max. Occ.: 1
 Counter: 0200

Name: **Processing information**

Description of segment:

UN/EDIFACT		Implementation		
	Name	St Format	St Format	Use / Remarks
GEI 9649	Processing information code qualifier	M an..3	M an..3	3 Scheduling type information

Remark:

Example:

GEI+3'

VOLVO GLOBAL DELFOR D04A

Segment details

Group: **SG6** Status: R Max. Occ.: 9999 Ship-to level (instruction line)

Group: **SG7** Status: R Max. Occ.: 1 Ship-to

Segment: **NAD** Seq. No.: 12 Level: 2 **Name and address**
 Status: M Max. Occ.: 1
 Counter: 0220

Name: **Ship To's Name and Address**

Description of segment:

UN/EDIFACT		Implementation		
	Name	St Format	St Format	Use / Remarks
NAD				
3035	Party function code qualifier	M an..3	M an..3	ST Ship to
C082	Party identification details	C	R	
3039	Party identifier	M an..35	M an..35	Ship To ID.
1131	Code list identification code	C an..17	N	not used
3055	Code list responsible agency code	C an..3	R an..3	92 Assigned by buyer or buyer's agent
C058	Name and address	C	N	not used
3124	Name and address description	M an..35	N	not used
C080	Party name	C	D	
3036	Party name	M an..35	M an..35	Single text line for specification of a name.
C059	Street	C	D	
3042	Street and number or post office box identifier	M an..35	M an..35	The name that identifies the location of a house or building; usually within a street as part of an address.
3042	Street and number or post office box identifier	C an..35	C an..35	
3042	Street and number or post office box identifier	C an..35	N	not used
3164	City name	C an..35	D an..35	The name of the city, town, or village of this address.
C819	Country sub-entity details	C	C	
3229	Country sub-entity name code	C an..9	R an..9	State or region within a country. The use of UN LoCodes is recommended.
3251	Postal identification code	C an..17	C an..17	Postal code/Zip code
3207	Country name code	C an..3	C an..3	Provides the country part of an address using a code. Use ISO3166 two alpha code.

Remark:

Volvo's identification of the Ship-to location.
 The party to which goods are to be shipped (consigned).
 Information in NAD.3036 and NAD.3164 should be stated on the Odette Transport Label.

Example:

NAD+ST+4388::92++VOLVO TRUCKS NORTH AMERICA+4881 COUGAR TRAIL ROAD+DUBLIN+++AD'

VOLVO GLOBAL DELFOR D04A

Segment details

Group: **SG6** Status: R Max. Occ.: 9999 Ship-to level (instruction line)

Group: **SG7** Status: R Max. Occ.: 1 Ship-to

Group: **SG10** Status: D Max. Occ.: 1 Material Control Contact

Used by some Volvo group plants/warehouses only.

Segment: CTA Seq. No.: 13 Level: 3 **Contact information**
 Status: M Max. Occ.: 1
 Counter: 0320

Name: **Material Control Contact**

Description of segment:

UN/EDIFACT			Implementation	
	Name	St Format	St Format	Use / Remarks
CTA				
3139	Contact function code	C an..3	R an..3	MC Schedule contact
C056	Department or employee details	C	R	
3413	Department or employee name code	C an..17	N	not used
3412	Department or employee name	C an..35	R an..35	Name of the contact person or department.

Remark:
 Information that identifies the contact person or department together with information about how they can be contacted.

Example:
 CTA+MC+ : JOE SMITH'

VOLVO GLOBAL DELFOR D04A

Segment details

Group: **SG6** Status: R Max. Occ.: 9999 Ship-to level (instruction line)

Group: **SG7** Status: R Max. Occ.: 1 Ship-to

Group: **SG10** Status: D Max. Occ.: 1 Material Control Contact

Used by some Volvo group plants/warehouses only.

Segment: **COM** Seq. No.: 14 Level: 4 **Communication contact**
 Status: R Max. Occ.: 1
 Counter: 0330

Name: **Communication contact**

Description of segment:

UN/EDIFACT		Implementation		
	Name	St Format	St Format	Use / Remarks
COM				
C076	Communication contact	M	M	
3148	Communication address identifier	M an..512	M an..100	The number or virtual 'address' of a telephone in a telecommunication system.
3155	Communication address code qualifier	M an..3	M an..3	TE Telephone

Remark:

Example:

COM+0123456789012:TE'

VOLVO GLOBAL DELFOR D04A

Segment details

Group: SG6 Status: R Max. Occ.: 9999 Ship-to level (instruction line)

Group: SG12 Status: R Max. Occ.: 9999 Scheduled Article Details

Segment: LIN Seq. No.: 15 Level: 2 **Line item**
 Status: M Max. Occ.: 1
 Counter: 0380

Name: Line item

Description of segment:

UN/EDIFACT			Implementation	
	Name	St Format	St Format	Use / Remarks
LIN				
1082	Line item identifier	C an..6	N	not used
1229	Action request/notification description code	C an..3	R an..3	9 Amendments 38 Replaced Code 9 - Amendments - means the shedule lines of a previous forecast/ instruction are replaced only for the specific horizon indicated. All figures before and after remain valid. This requires an effective from and an effective to date on header level. Code 38 - the complete previous forecast / instruction for this line item is replaced by new figures for the full horizon.
C212	Item number identification	C	R	
7140	Item identifier	C an..35	R an..35	Volvo's part number.
7143	Item type identification code	C an..3	R an..3	IN Buyer's item number

Remark:

The supplier is responsible for converting Volvo's part number into the supplier's own internal number.

Example:

LIN++38+1137005:IN'

VOLVO GLOBAL DELFOR D04A

Segment details

Group: **SG6** Status: R Max. Occ.: 9999 Ship-to level (instruction line)

Group: **SG12** Status: R Max. Occ.: 9999 Scheduled Article Details

Segment: **PIA** Seq. No.: 16 Level: 3 **Additional product id**
 Status: D Max. Occ.: 1
 Counter: 0390

Name: **Additional product id**

Description of segment:

UN/EDIFACT			Implementation	
	Name	St Format	St Format	Use / Remarks
PIA				
4347	Product identifier code qualifier	M an..3	M an..3	1 Additional identification
C212	Item number identification	M	M	
7140	Item identifier	C an..35	R an..35	Vendor item number (used by some Volvo group plants/ warehouses only). OR The number of a technical drawing allocated to an item.
7143	Item type identification code	C an..3	R an..3	DR Drawing revision number VN Vendor item number
C212	Item number identification	C	C	
7140	Item identifier	C an..35	R an..35	Vendor item number (used by some Volvo group plants/ warehouses only). OR The number of a technical drawing allocated to an item.
7143	Item type identification code	C an..3	R an..3	DR Drawing revision number VN Vendor item number

Remark:

Drawing revision number will only be sent based on requirements from concerned Volvo plants. Once received, it is required to send the information back in the despatch advice. Vendor item number will be sent by some Volvo plants for some suppliers only.

Example:

PIA+1+P04:DR'

PIA+1+ABC1234:VN'

PIA+1+ABC1234:VN+P04:DR'

VOLVO GLOBAL DELFOR D04A

Segment details

Group: **SG6** Status: R Max. Occ.: 9999 Ship-to level (instruction line)

Group: **SG12** Status: R Max. Occ.: 9999 Scheduled Article Details

Segment: **IMD** Seq. No.: 17 Level: 3 **Item description**
 Status: D Max. Occ.: 1
 Counter: 0400

Name: **Item description**

Description of segment:

UN/EDIFACT			Implementation	
	Name	St Format	St Format	Use / Remarks
IMD				
7077	Description format code	C an..3	D an..3	S Structured (from industry code list)
C272	Item characteristic	C	N	not used
7081	Item characteristic code	C an..3	N	not used
1131	Code list identification code	C an..17	N	not used
C273	Item description	C	R	
7009	Item description code	C an..17	D n2	20 Current article 22 Module number
1131	Code list identification code	C an..17	N	not used
3055	Code list responsible agency code	C an..3	N	not used
7008	Item description	C an..256	R an..35	Volvo's part description

Remark:

If IMD.7009 is empty or =20 the information in IMD.7008 = Volvo's part description.
 If IMD.7009 =22 the information in 7008 = Volvo's ECP (External Component Part) description.
 IMD.7009 =22 is only used in sequence (JIT/JIS) flows and after special agreement.
 Used by some Volvo group plants/warehouses only.

Example:

IMD+S++20:::BOLT'
 IMD+S++22:::CABLE HARNESS'

VOLVO GLOBAL DELFOR D04A

Segment details

Group: **SG6** Status: R Max. Occ.: 9999 Ship-to level (instruction line)

Group: **SG12** Status: R Max. Occ.: 9999 Scheduled Article Details

Segment: **MEA** Seq. No.: 18 Level: 3 **Measurements**
 Status: D Max. Occ.: 1
 Counter: 0410

Name: **Measurements**

Description of segment:

UN/EDIFACT			Implementation	
	Name	St Format	St Format	Use / Remarks
MEA				
6311	Measurement purpose code qualifier	M an..3	M an..3	WT Weights
C502	Measurement details	C	R	
6313	Measured attribute code	C an..3	R an..3	U Weight per unit
C174	Value/range	C	R	
6411	Measurement unit code	M an..8	M an..8	Code specifying the unit of measurement. UN/ECE Recommendation 20, Common code.
6314	Measure	C an..18	R an..18	Weight of specific part.

Remark:

Information of the weight of the part.
 Only used by some Volvo group plants/warehouses.

Example:

MEA+WT+U+KGM; 4 '

VOLVO GLOBAL DELFOR D04A

Segment details

Group: **SG6** Status: R Max. Occ.: 9999 Ship-to level (instruction line)

Group: **SG12** Status: R Max. Occ.: 9999 Scheduled Article Details

Segment: **LOC** Seq. No.: 19 Level: 3 **Place/location identification**
 Status: R Max. Occ.: 1
 Counter: 0450

Name: Place of discharge

Description of segment:

UN/EDIFACT			Implementation	
	Name	St Format	St Format	Use / Remarks
LOC				
3227	Location function code qualifier	M an..3	M an..3	11 Place/port of discharge
C517	Location identification	C	R	
3225	Location name code	C an..35	R an..35	Volvo's identity on the place of discharge.
1131	Code list identification code	C an..17	N	not used
3055	Code list responsible agency code	C an..3	R an..3	92 Assigned by buyer or buyer's agent

Remark:

Example:

LOC+11+556:::92'

VOLVO GLOBAL DELFOR D04A

Segment details

Group: **SG6** Status: R Max. Occ.: 9999 Ship-to level (instruction line)

Group: **SG12** Status: R Max. Occ.: 9999 Scheduled Article Details

Segment: **LOC** Seq. No.: 20 Level: 3 **Place/location identification**
 Status: R Max. Occ.: 1
 Counter: 0450

Name: Internal place of destination

Description of segment:

UN/EDIFACT			Implementation	
	Name	St Format	St Format	Use / Remarks
LOC				
3227	Location function code qualifier	M an..3	M an..3	159 Additional internal destination
C517	Location identification	C	R	
3225	Location name code	C an..35	R an..35	Final unloading point. To be printed on the transport label in the field "Dock and Gate".
1131	Code list identification code	C an..17	N	not used
3055	Code list responsible agency code	C an..3	R an..3	92 Assigned by buyer or buyer's agent

Remark:

An internal location within the ship-to's premises, where goods are moved to after they have been unloaded, e.g. an assembly line, an internal warehouse, etc.

Example:

LOC+159+F-11 556::92'

VOLVO GLOBAL DELFOR D04A

Segment details

Group: **SG6** Status: R Max. Occ.: 9999 Ship-to level (instruction line)

Group: **SG12** Status: R Max. Occ.: 9999 Scheduled Article Details

Segment: **DTM** Seq. No.: 21 Level: 3 **Date/time/period**
 Status: R Max. Occ.: 1
 Counter: 0460

Name: Date/time/period

Description of segment:

UN/EDIFACT			Implementation	
	Name	St Format	St Format	Use / Remarks
DTM	Date/time/period	M	M	
C507	Date or time or period function code qualifier	M an..3	M an..3	257 Calculation date/time/period
2380	Date or time or period text	C an..35	R n8	Date and time on which the delivery quantities are calculated.
2379	Date or time or period format code	C an..3	R an..3	102 CCYYMMDD

Remark:

The date the computer system has done the calculations for details contained in the message. It might be different from the message date itself.

Example:

DTM+257:20060713:102'

VOLVO GLOBAL DELFOR D04A

Segment details

Group: **SG6** Status: R Max. Occ.: 9999 Ship-to level (instruction line)

Group: **SG12** Status: R Max. Occ.: 9999 Scheduled Article Details

Group: **SG13** Status: R Max. Occ.: 1 Order reference

Segment: **RFF** Seq. No.: 22 Level: 3 **Reference**
 Status: M Max. Occ.: 1
 Counter: 0490

Name: **Order reference**

Description of segment:

UN/EDIFACT			Implementation	
	Name	St Format	St Format	Use / Remarks
RFF				
C506	Reference	M	M	
1153	Reference code qualifier	M an..3	M an..3	ON Buyers order number
1154	Reference identifier	C an..70	R an..17	Volvo's Purchase order number.
1156	Document line identifier	C an..6	D an..6	Identifier of a line item in the order.

Remark:

Example:

RFF+ON:M591079556:1'

VOLVO GLOBAL DELFOR D04A

Segment details

Group: **SG6** Status: R Max. Occ.: 9999 Ship-to level (instruction line)

Group: **SG12** Status: R Max. Occ.: 9999 Scheduled Article Details

Group: **SG13** Status: D Max. Occ.: 1 Reference to Previous Delivery Instruction

Condition: This segment group will not be given in the first delivery schedule for current item number.

Segment: **RFF** Seq. No.: 23 Level: 3 **Reference**
 Status: M Max. Occ.: 1
 Counter: 0490

Name: Previous Delivery Instruction

Description of segment:

UN/EDIFACT			Implementation	
	Name	St Format	St Format	Use / Remarks
RFF				
C506	Reference	M	M	
1153	Reference code qualifier	M an..3	M an..3	AIF Previous delivery instruction number
1154	Reference identifier	C an..70	R an..17	Previous Delivery Instruction number for an item number.

Remark:

Example:

RFF+AIF:200607060210'

VOLVO GLOBAL DELFOR D04A

Segment details

Group: **SG6** Status: R Max. Occ.: 9999 Ship-to level (instruction line)

Group: **SG12** Status: R Max. Occ.: 9999 Scheduled Article Details

Group: **SG16** Status: D Max. Occ.: 1 Order balance

Segment: **QTY** Seq. No.: 24 Level: 3 **Quantity**
 Status: M Max. Occ.: 1
 Counter: 0590

Name: Order balance

Description of segment:

UN/EDIFACT			Implementation	
	Name	St Format	St Format	Use / Remarks
QTY				
C186	Quantity details	M	M	
6063	Quantity type code qualifier	M an..3	M an..3	73 Outstanding quantity
6060	Quantity	M an..35	M n..15	Outstanding order quantity.
6411	Measurement unit code	C an..8	D an..8	Code specifying the unit of measurement. UN/ECE recommendation 20, Common code. If no UOM is sent by the plant/warehouse, the UOM should be considered as C62 (Pieces).

Remark:

Example:

QTY+73:8000'

VOLVO GLOBAL DELFOR D04A

Segment details

Group: **SG6** Status: R Max. Occ.: 9999 Ship-to level (instruction line)

Group: **SG12** Status: R Max. Occ.: 9999 Scheduled Article Details

Group: **SG16** Status: D Max. Occ.: 1 In transit

Segment: **QTY** Seq. No.: 25 Level: 3 **Quantity**
 Status: M Max. Occ.: 1
 Counter: 0590

Name: In transit quantity

Description of segment:

UN/EDIFACT			Implementation	
	Name	St Format	St Format	Use / Remarks
QTY				
C186	Quantity details	M	M	
6063	Quantity type code qualifier	M an..3	M an..3	57 In transit quantity
6060	Quantity	M an..35	M n..15	Quantity of goods in transit (despatched but not received).
6411	Measurement unit code	C an..8	D an..8	Code specifying the unit of measurement. UN/ECE recommendation 20, Common code. If no UOM is sent by the plant/warehouse, the UOM should be considered as C62 (Pieces).

Remark:

The quantity is provided based on information received in the EDI despatch advice(s).
Used by some Volvo group plants/warehouses only.

Example:

QTY+57:5000'

VOLVO GLOBAL DELFOR D04A

Segment details

Group: **SG6** Status: R Max. Occ.: 9999 Ship-to level (instruction line)

Group: **SG12** Status: R Max. Occ.: 9999 Scheduled Article Details

Group: **SG16** Status: D Max. Occ.: 1 Backorder

Segment: **QTY** Seq. No.: 26 Level: 3 **Quantity**
 Status: M Max. Occ.: 1
 Counter: 0590

Name: Backorder quantity

Description of segment:

UN/EDIFACT			Implementation	
	Name	St Format	St Format	Use / Remarks
QTY				
C186	Quantity details	M	M	
6063	Quantity type code qualifier	M an..3	M an..3	83 Backorder quantity
6060	Quantity	M an..35	M n..15	Ordered quantity that is not received at Ship To. Information of goods in transit can be found in QTY.6060 when QTY.6063=57.
6411	Measurement unit code	C an..8	D an..8	Code specifying the unit of measurement. UN/ECE recommendation 20, Common code. If no UOM is sent by the plant/warehouse, the UOM should be considered as C62 (Pieces).

Remark:

Example:

QTY+83:5000'

VOLVO GLOBAL DELFOR D04A

Segment details

Group: **SG6** Status: R Max. Occ.: 9999 Ship-to level (instruction line)

Group: **SG12** Status: R Max. Occ.: 9999 Scheduled Article Details

Group: **SG16** Status: R Max. Occ.: 1 Cumulative quantities

Segment: **QTY** Seq. No.: 27 Level: 3 **Quantity**
Status: M Max. Occ.: 1
Counter: 0590

Name: Cumulative quantities

Description of segment:

UN/EDIFACT		Implementation		
	Name	St Format	St Format	Use / Remarks
QTY				
C186	Quantity details	M	M	
6063	Quantity type code qualifier	M an..3	M an..3	70 Cumulative quantity received
6060	Quantity	M an..35	M n..15	Cumulated received quantity (since the date given in SG16.DTM.2380 when SG16.DTM.2005 =51). If no deliveries are received, zero will be given.
6411	Measurement unit code	C an..8	D an..8	Code specifying the unit of measurement. UN/ECE Recommendation 20, Common code. If no UOM is sent by the plant/warehouse, the UOM should be considered as C62 (Pieces).

Remark:

Example:

QTY+70:2300'

VOLVO GLOBAL DELFOR D04A

Segment details

Group: **SG6** Status: R Max. Occ.: 9999 Ship-to level (instruction line)

Group: **SG12** Status: R Max. Occ.: 9999 Scheduled Article Details

Group: **SG16** Status: R Max. Occ.: 1 Cumulative quantities

Segment: **DTM** Seq. No.: 28 Level: 4 **Date/time/period**
 Status: R Max. Occ.: 1
 Counter: 0600

Name: Cumulative quantity date(s)

Description of segment:

UN/EDIFACT			Implementation	
	Name	St Format	St Format	Use / Remarks
DTM				
C507	Date/time/period	M	M	
2005	Date or time or period function code qualifier	M an..3	M an..3	51 Cumulative quantity start date
2380	Date or time or period text	C an..35	R n8	Start date of a given period.
2379	Date or time or period format code	C an..3	R an..3	102 CCYYMMDD

Remark:

Start date of a given period.

Example:

DTM+51:20060101:102'

VOLVO GLOBAL DELFOR D04A

Segment details

Group: **SG6** Status: R Max. Occ.: 9999 Ship-to level (instruction line)

Group: **SG12** Status: R Max. Occ.: 9999 Scheduled Article Details

Group: **SG16** Status: D Max. Occ.: 99 Previous despatch note numbers

Segment: **QTY** Seq. No.: 29 Level: 3 **Quantity**
 Status: M Max. Occ.: 1
 Counter: 0590

Name: Despatched/Received quantities

Description of segment:

UN/EDIFACT			Implementation	
	Name	St Format	St Format	Use / Remarks
QTY				
C186	Quantity details	M	M	
6063	Quantity type code qualifier	M an..3	M an..3	12 Despatch quantity 48 Received quantity
6060	Quantity	M an..35	M n..15	Quantity
6411	Measurement unit code	C an..8	D an..8	Code specifying the unit of measurement. UN/ECE Recommendation 20, Common code. If no UOM is sent by the plant/warehouse, the UOM should be considered as C62 (Pieces).

Remark:

12=The quantity which has been despatched.
48=The quantity which has been received by the ship-to.

Example:

QTY+12:500'
QTY+48:500'

VOLVO GLOBAL DELFOR D04A

Segment details

Group: **SG6** Status: R Max. Occ.: 9999 Ship-to level (instruction line)

Group: **SG12** Status: R Max. Occ.: 9999 Scheduled Article Details

Group: **SG16** Status: D Max. Occ.: 99 Previous despatch note numbers

Segment: **DTM** Seq. No.: 30 Level: 4 **Date/time/period**
 Status: D Max. Occ.: 1
 Counter: 0600

Name: Despatch/Received dates

Description of segment:

UN/EDIFACT		Implementation		
	Name	St Format	St Format	Use / Remarks
DTM				
C507	Date/time/period	M	M	
2005	Date or time or period function code qualifier	M an..3	M an..3	11 Despatch date 50 Goods receipt date
2380	Date or time or period text	C an..35	R n8	Date/time
2379	Date or time or period format code	C an..3	R an..3	102 CCYYMMDD

Remark:

Qualifier 11 is used in conjunction with qualifier 12 in SG16.QTY.6063.
 Qualifier 50 is used in conjunction with qualifier 48 in SG16.QTY.6063. The qualifier 50 is not used by all Volvo group plants/warehouses.

Example:

DTM+11:20060610:102'
 DTM+50:20060612:102'

VOLVO GLOBAL DELFOR D04A

Segment details

Group: **SG6** Status: R Max. Occ.: 9999 Ship-to level (instruction line)
Group: **SG12** Status: R Max. Occ.: 9999 Scheduled Article Details
Group: **SG16** Status: D Max. Occ.: 99 Previous despatch note numbers
Group: **SG17** Status: R Max. Occ.: 1 Despatch / receiving document reference
Segment: **RFF** Seq. No.: 31 Level: 4 **Reference**
 Status: M Max. Occ.: 1
 Counter: 0620

Name: Reference

Description of segment:

UN/EDIFACT			Implementation	
	Name	St Format	St Format	Use / Remarks
RFF				
C506	Reference	M	M	
1153	Reference code qualifier	M an..3	M an..3	AAK Despatch advice number
1154	Reference identifier	C an..70	R an..17	Document number / unique identifier of a document.

Remark:

Reference identifier assigned by the issuer to the document for a despatch advice.
 This segment is given once per despatched/received shipment.

Example:

RFF+AAK:12785'

VOLVO GLOBAL DELFOR D04A

Segment details

Group:	SG6	Status: R	Max. Occ.: 9999	Ship-to level (instruction line)
Group:	SG12	Status: R	Max. Occ.: 9999	Scheduled Article Details
Group:	SG18	Status: R	Max. Occ.: 999	Scheduling data
Segment:	SCC	Seq. No.: 32	Level: 3	Scheduling conditions
		Status: M	Max. Occ.: 1	
		Counter: 0650		

Name: Scheduling conditions

Description of segment:

UN/EDIFACT			Implementation		
	Name	St Format	St Format	Use / Remarks	
SCC 4017	Delivery plan commitment level code	M an..3	M an..3	1 4 24	Firm Planning/forecast Reference to commercial agreement between partners
4493	Delivery instruction code	C an..3	N	not used	
C329	Pattern description	C	D		
2013	Frequency code	C an..3	R an..3	D J	Discrete Just-in-time

Remark:

SCC.2013 =D indicates that the part should be delivered in a normal batch flow.
 SCC.2013 =J indicates that the part should be delivered in a JIT/JIS flow and firm order status are received in a separate DELJIT file.

Example:

SCC+1++D'
 SCC+4++J'

VOLVO GLOBAL DELFOR D04A

Segment details

Group:	SG6	Status: R	Max. Occ.: 9999	Ship-to level (instruction line)
Group:	SG12	Status: R	Max. Occ.: 9999	Scheduled Article Details
Group:	SG18	Status: R	Max. Occ.: 999	Scheduling data
Group:	SG19	Status: R	Max. Occ.: 1	Scheduled quantity
Segment:	QTY	Seq. No.: 33 Status: M Counter: 0670	Level: 4 Max. Occ.: 1	Quantity

Name: Quantity

Description of segment:

UN/EDIFACT		Implementation		
	Name	St Format	St Format	Use / Remarks
QTY				
C186	Quantity details	M	M	
6063	Quantity type code qualifier	M an..3	M an..3	113 Quantity to be delivered (default delivery qty)
6060	Quantity	M an..35	M n..15	Quantity
6411	Measurement unit code	C an..8	D an..8	Code specifying the unit of measurement. UN/ECE Recommendation 20, Common code. If no UOM is sent by the plant/warehouse, the UOM should be considered as C62 (Pieces).

Remark:

If a zero quantity is sent, there is no scheduled demand for this part number.

Example:

QTY+113:4500'

VOLVO GLOBAL DELFOR D04A

Segment details

Group: **SG6** Status: R Max. Occ.: 9999 Ship-to level (instruction line)

Group: **SG12** Status: R Max. Occ.: 9999 Scheduled Article Details

Group: **SG18** Status: R Max. Occ.: 999 Scheduling data

Group: **SG19** Status: R Max. Occ.: 1 Scheduled quantity

Segment: **DTM** Seq. No.: 34 Level: 5 **Date/time/period**
 Status: R Max. Occ.: 1
 Counter: 0680

Name: Scheduled dates

Description of segment:

UN/EDIFACT			Implementation	
	Name	St Format	St Format	Use / Remarks
DTM				
C507	Date/time/period	M	M	
2005	Date or time or period function code qualifier	M an..3	R an..3	10 Shipment date/time, requested 63 Delivery date/time, latest 64 Delivery date/time, earliest
2380	Date or time or period text	C an..35	R n..12	Date / period
2379	Date or time or period format code	C an..3	D an..3	102 CCYYMMDD 203 CCYYMMDDHHMM The qualifier 203 will only be used when there are more than one requirement in a day.

Remark:

DTM.2005 code 10 - shipment date/time of departure, fixed
 DTM.2005 code 63 - shipment (delivery initiated) date/time of departure, latest
 DTM.2005 code 64 - shipment (delivery initiated) date/time of departure, earliest

Example:

DTM+10:20060610:102'

VOLVO GLOBAL DELFOR D04A

Segment details

Group: **SG6** Status: R Max. Occ.: 9999 Ship-to level (instruction line)

Group: **SG12** Status: R Max. Occ.: 9999 Scheduled Article Details

Group: **SG18** Status: R Max. Occ.: 999 Scheduling data

Group: **SG19** Status: R Max. Occ.: 1 Scheduled quantity

Group: **SG20** Status: D Max. Occ.: 1 Reference documents

Segment: **RFF** Seq. No.: 35 Level: 5 **Reference**
 Status: M Max. Occ.: 1
 Counter: 0700

Name: Reference

Description of segment:

UN/EDIFACT			Implementation	
	Name	St Format	St Format	Use / Remarks
RFF				
C506	Reference	M	M	
1153	Reference code qualifier	M an..3	M an..3	AAP Part consignment number
1154	Reference identifier	C an..70	R an..17	Reference to a specific consignment for item deliveries.

Remark:

After special agreement with Volvo, a reference is made here to an order line or other customer oriented reference concept.

Example:

RFF+AAP:36001'

VOLVO GLOBAL DELFOR D04A

Segment details

Group: SG6 Status: R Max. Occ.: 9999 Ship-to level (instruction line)

Group: SG12 Status: R Max. Occ.: 9999 Scheduled Article Details

Group: SG18 Status: D Max. Occ.: 999 Authorization / Commitment

Use this SG18 when applicable.

Segment: SCC Seq. No.: 36 Level: 3 **Scheduling conditions**
 Status: M Max. Occ.: 1
 Counter: 0650

Name: Scheduling conditions

Description of segment:

UN/EDIFACT		Implementation		
	Name	St Format	St Format	Use / Remarks
SCC				
4017	Delivery plan commitment level code	M an..3	M an..3	3 Commitment for material
4493	Delivery instruction code	C an..3	N	not used

Remark:

Providing the level of commitment of the buyer (per type of commitment).
 The authorization is given as a discrete quantity and for a period in terms of start and end date (SG19 Date(s) and quantities, QTY.6060 & DTM.2005).

Example:

SCC+3'

VOLVO GLOBAL DELFOR D04A

Segment details

Group: SG6 Status: R Max. Occ.: 9999 Ship-to level (instruction line)
Group: SG12 Status: R Max. Occ.: 9999 Scheduled Article Details
Group: SG18 Status: D Max. Occ.: 999 Authorization / Commitment
Group: SG19 Status: R Max. Occ.: 1 Date(s) and quantities
Segment: QTY Seq. No.: 37 Level: 4 **Quantity**
 Status: M Max. Occ.: 1
 Counter: 0670

Name: Quantity

Description of segment:

UN/EDIFACT		Implementation		
	Name	St Format	St Format	Use / Remarks
QTY				
C186	Quantity details	M	M	
6063	Quantity type code qualifier	M an..3	M an..3	1 Discrete quantity
6060	Quantity	M an..35	M n..15	Discrete quantity
6411	Measurement unit code	C an..8	D an..8	Code specifying the unit of measurement. UN/ECE Recommendation 20, Common code. If no UOM is sent by the plant/warehouse, the UOM should be considered as C62 (Pieces).

Remark:

Discrete quantity of materials or finished goods authorized to be produced or purchased to meet the expected requirements of the buyer as committed in the delivery schedule.

Example:

QTY+1:14500'

VOLVO GLOBAL DELFOR D04A

Segment details

Group: **SG6** Status: R Max. Occ.: 9999 Ship-to level (instruction line)
Group: **SG12** Status: R Max. Occ.: 9999 Scheduled Article Details
Group: **SG18** Status: D Max. Occ.: 999 Authorization / Commitment
Group: **SG19** Status: R Max. Occ.: 1 Date(s) and quantities
Segment: **DTM** Seq. No.: 38 Level: 5 **Date/time/period**
 Status: D Max. Occ.: 2
 Counter: 0680

Name: Authorisation period

Description of segment:

UN/EDIFACT		Implementation		
	Name	St Format	St Format	Use / Remarks
DTM				
C507	Date/time/period	M	M	
2005	Date or time or period function code qualifier	M an..3	M an..3	194 Start date/time 206 End date/time
2380	Date or time or period text	C an..35	R n8	Start or end date of a given period (depending on code given in DTM.2005).
2379	Date or time or period format code	C an..3	R an..3	102 CCYYMMDD

Remark:

Date of authorisation for production or procurement of materials (for the commitment for material quantity).
To be given when applicable.

Example:

DTM+194:20060710:102 '
DTM+206:20060910:102 '

VOLVO GLOBAL DELFOR D04A

Segment details

Segment: UNT
 Seq. No.: 39 Level: 0 **Message trailer**
 Status: M Max. Occ.: 1
 Counter: 1110

Name: **Message trailer**

Description of segment:

UN/EDIFACT			Implementation	
	Name	St Format	St Format	Use / Remarks
UNT 0074	Number of segments in the message	M n..6	M n..6	Number of segments in the message.
0062	Message reference number	M an..14	M an..14	Message reference number.

Remark:

Example:

UNT+125+123456'