



Message Specification

VOLVO GLOBAL DELFOR D04A

Based on:

DELFOR

Delivery schedule message

UN D.04A S3; JAIF

Version: 2
Variant: 2
Issue date: 2022-11-02
Author: Volvo Group IT

Message Structure

Counter	No	Tag	St	MaxOcc	Level	Content
0010	1	UNH	M	1	0	Message header
0020	2	BGM	M	1	0	Beginning of message
0030	3	DTM	M	1	1	Document Issue Date
0030	4	DTM	R	1	1	Validity Start Date
0030	5	DTM	D	1	1	Expiry Date
0080		SG2	R	1	1	Buyer
0090	6	NAD	M	1	1	Buyer's Name and Address
0080		SG2	D	1	1	Delivery Party
0090	7	NAD	M	1	1	Delivery Party's Name and Address
0080		SG2	R	1	1	Seller
0090	8	NAD	M	1	1	Seller's Name and Address
0080		SG2	D	1	1	Ship From
0090	9	NAD	M	1	1	Ship From's Name and Address
0080		SG2	D	1	1	Ultimate Customer
0090	10	NAD	M	1	1	Ultimate Customer's Name and Address
0190		SG6	R	9999	1	Ship-to level (instruction line)
0200	11	GEI	M	1	1	Processing information
0210		SG7	R	1	2	Ship-to
0220	12	NAD	M	1	2	Ship To's Name and Address
0310		SG10	D	1	3	Material Control Contact
0320	13	CTA	M	1	3	Material Control Contact
0330	14	COM	R	1	4	Communication contact
0370		SG12	R	9999	2	Scheduled Article Details
0380	15	LIN	M	1	2	Line item
0390	16	PIA	D	1	3	Additional product id
0400	17	IMD	D	1	3	Item description
0410	18	MEA	D	1	3	Measurements
0450	19	LOC	R	1	3	Place of discharge
0450	20	LOC	R	1	3	Internal place of destination
0460	21	DTM	R	1	3	Date/time/period
0480		SG13	R	1	3	Order reference
0490	22	RFF	M	1	3	Order reference
0480		SG13	D	1	3	Reference to Previous Delivery Instruction
0490	23	RFF	M	1	3	Previous Delivery Instruction
0580		SG16	D	1	3	Order balance
0590	24	QTY	M	1	3	Order balance
0580		SG16	D	1	3	In transit
0590	25	QTY	M	1	3	In transit quantity
0580		SG16	D	1	3	Backorder

Counter = Counter of segment/group within the standard
 No = Consecutive segment number
 MaxOcc = Maximum occurrence of the segment/group

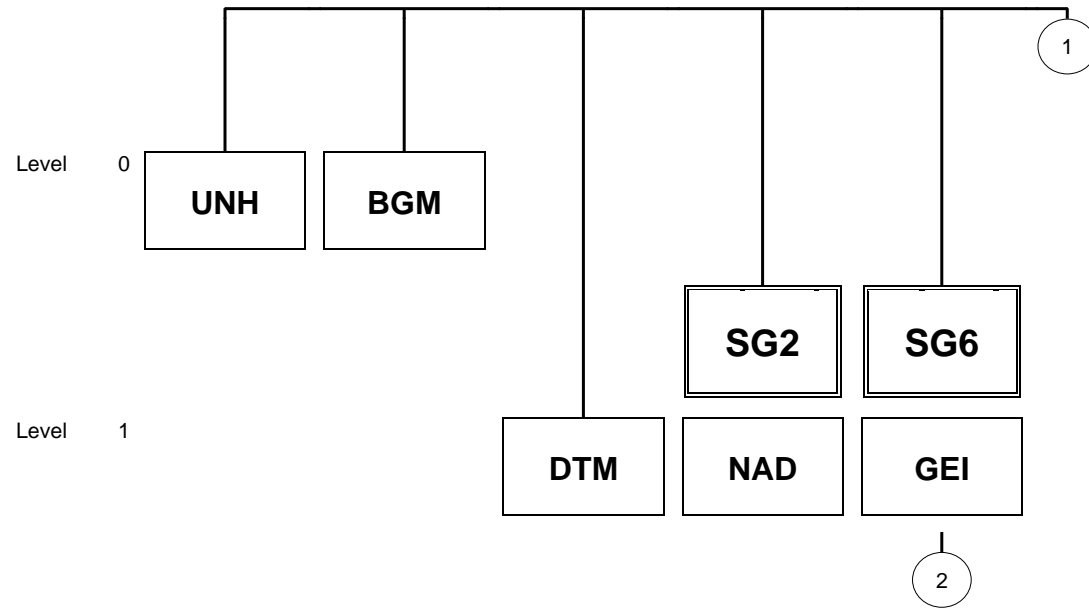
St = Status
 EDIFACT: M=Mandatory, C=Conditional
 User specific: R=Required, O=Optional, D=Dependent,
 A=Advised, N=Not used

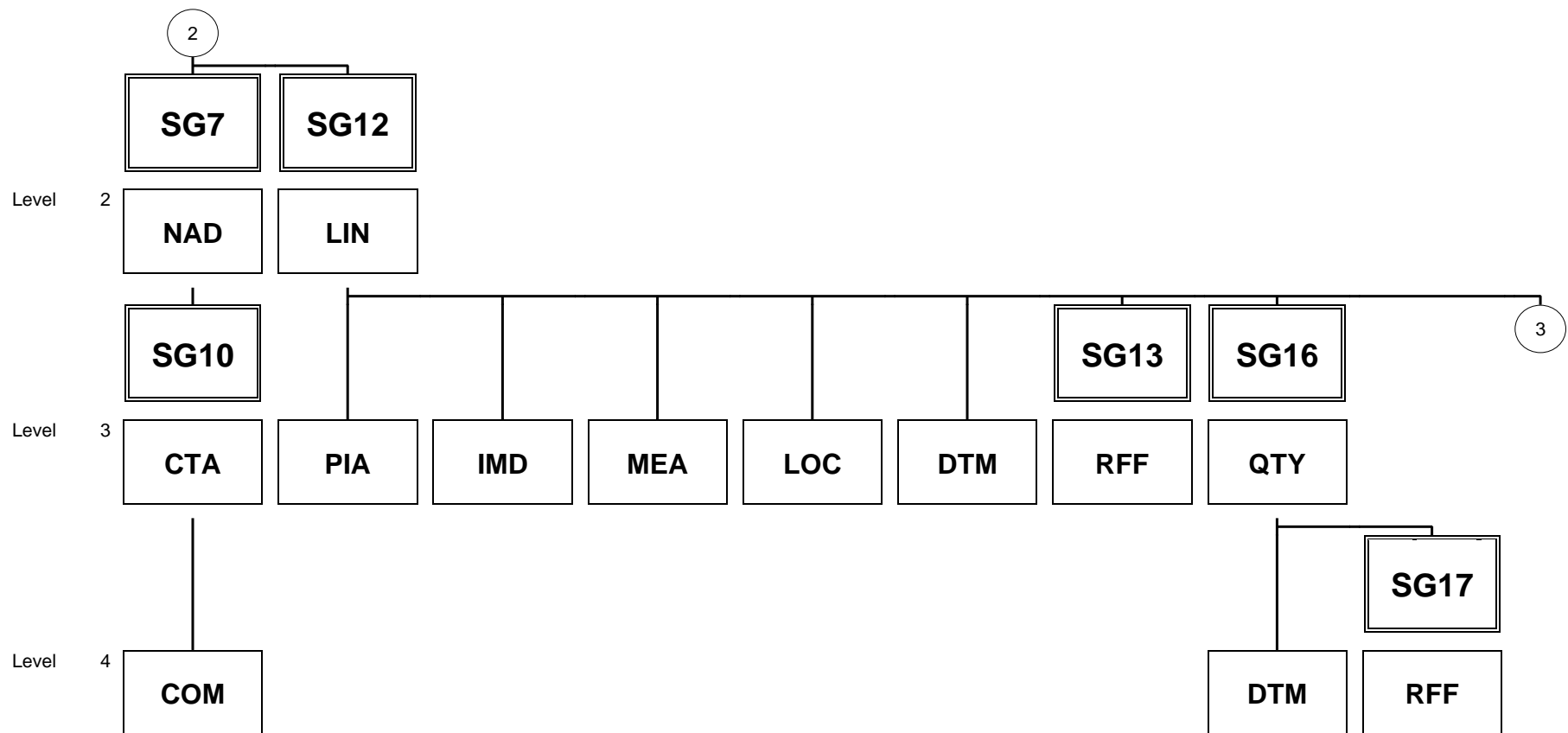
Counter	No	Tag	St	MaxOcc	Level	Content
0590	26	QTY	M	1	3	Backorder quantity
0580		SG16	R	1	3	Cumulative quantities
0590	27	QTY	M	1	3	Cumulative quantities
0600	28	DTM	R	1	4	Cumulative quantity date(s)
0580		SG16	D	99	3	Previous despatch note numbers
0590	29	QTY	M	1	3	Despatched/Received quantities
0600	30	DTM	D	1	4	Despatch/Received dates
0610		SG17	R	1	4	Despatch / receiving document reference
0620	31	RFF	M	1	4	Reference
0640		SG18	R	999	3	Scheduling data
0650	32	SCC	M	1	3	Scheduling conditions
0660		SG19	R	1	4	Scheduled quantity
0670	33	QTY	M	1	4	Quantity
0680	34	DTM	R	1	5	Scheduled dates
0690		SG20	D	1	5	Reference documents
0700	35	RFF	M	1	5	Reference
0640		SG18	D	999	3	Authorization / Commitment
0650	36	SCC	M	1	3	Scheduling conditions
0660		SG19	R	1	4	Date(s) and quantities
0670	37	QTY	M	1	4	Quantity
0680	38	DTM	D	2	5	Authorisation period
1110	39	UNT	M	1	0	Message trailer

Counter = Counter of segment/group within the standard
 No = Consecutive segment number
 MaxOcc = Maximum occurrence of the segment/group

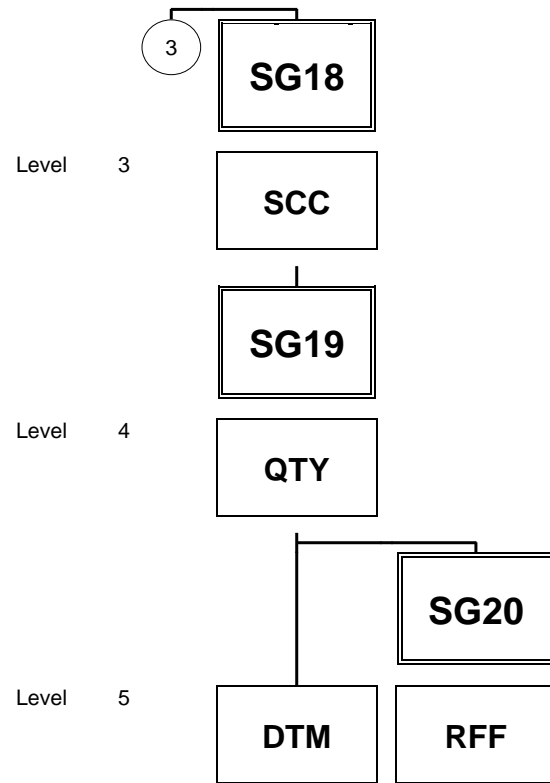
St = Status
 EDIFACT: M=Mandatory, C=Conditional
 User specific: R=Required, O=Optional, D=Dependent,
 A=Advised, N=Not used

Branching Diagram of Used Segments/Groups

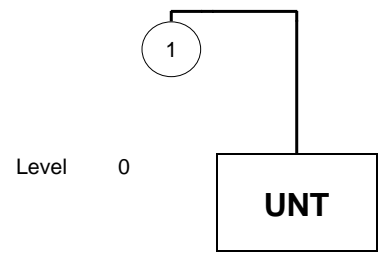




VOLVO GLOBAL DELFOR D04A



VOLVO GLOBAL DELFOR D04A



VOLVO GLOBAL DELFOR D04A

Segment details

Segment: UNH
 Seq. No.: 1 Level: 0 **Message header**
 Status: M Max. Occ.: 1
 Counter: 0010

Name: Message header

Description of segment:

UN/EDIFACT			Implementation	
	Name	St Format	St Format	Use / Remarks
UNH				
0062	Message reference number	M an..14	M an..14	Message reference number should be unique for an agreed period of time (e.g. calendar year, model year).
S009	Message identifier	M	M	
0065	Message type	M an..6	M an..6	DELFOR Delivery Forecast message
0052	Message version number	M an..3	M an..3	D Draft version/UN/EDIFACT Directory
0054	Message release number	M an..3	M an..3	04A Release 2004 - A
0051	Controlling agency	M an..2	M an..2	UN UN/CEFACT
0057	Association assigned code	C an..6	R an..6	Identification of the subset release, assigned by the responsible organisation (Odette resp. joint automotive initiative forum). GBSD11 Volvo Group DELFOR D04A (2014 version)

Remark:

Example:

UNH+123456+DELFOR:D:04A:UN:GBSD11'

VOLVO GLOBAL DELFOR D04A

Segment details

Segment: BGM
 Seq. No.: 2 Level: 0 **Beginning of message**
 Status: M Max. Occ.: 1
 Counter: 0020

Name: Beginning of message

Description of segment:

UN/EDIFACT			Implementation	
	Name	St Format	St Format	Use / Remarks
BGM				
C002	Document/message name	C	R	
1001	Document name code	C an..3	R an..3	236 Delivery forecast 241 Delivery schedule Code 236 - DELFOR message contains only forecasting figures Code 241 - DELFOR contains forecasting and firm figures (combination of firm instructions and forecasting figures)
1131	Code list identification code	C an..17	N	not used
3055	Code list responsible agency code	C an..3	N	not used
1000	Document name	C an..35	C an..35	DF Code indicating DELFOR message
C106	Document/message identification	C	R	
1004	Document identifier	C an..35	R an..35	Delivery Schedule number.

Remark:

Example:

BGM+236:::DF+200607110102'
 BGM+241:::DF+200607110102'

VOLVO GLOBAL DELFOR D04A

Segment details

Segment: DTM
 Seq. No.: 3 Level: 1 Date/time/period
 Status: M Max. Occ.: 1
 Counter: 0030

Name: Document Issue Date

Description of segment:

UN/EDIFACT			Implementation	
	Name	St Format	St Format	Use / Remarks
DTM				
C507	Date/time/period	M	M	
2005	Date or time or period function code qualifier	M an..3	M an..3	137 Document/message date/time
2380	Date or time or period text	C an..35	R n8	Date on which a document or business signal was issued.
2379	Date or time or period format code	C an..3	R an..3	102 CCYMMDD

Remark:

Example:

DTM+137:20060711:102'

VOLVO GLOBAL DELFOR D04A

Segment details

Segment: DTM
 Seq. No.: 4 Level: 1 **Date/time/period**
 Status: R Max. Occ.: 1
 Counter: 0030

Name: **Validity Start Date**

Description of segment:

UN/EDIFACT			Implementation	
	Name	St Format	St Format	Use / Remarks
DTM				
C507	Date/time/period	M	M	
2005	Date or time or period function code qualifier	M an..3	M an..3	157 Validity start date
2380	Date or time or period text	C an..35	R n8	Start date of a given period.
2379	Date or time or period format code	C an..3	R an..3	102 CCYMMDD

Remark:

The date from when the new Delivery Schedule is valid.

Example:

DTM+157:20060710:102'

VOLVO GLOBAL DELFOR D04A

Segment details

Segment: DTM
 Seq. No.: 5 Level: 1 **Date/time/period**
 Status: D Max. Occ.: 1
 Counter: 0030

Name: Expiry Date

Description of segment:

UN/EDIFACT			Implementation	
	Name	St Format	St Format	Use / Remarks
DTM				
C507	Date/time/period	M	M	
2005	Date or time or period function code qualifier	M an..3	M an..3	36 Expiry date
2380	Date or time or period text	C an..35	R n8	End date of a given period.
2379	Date or time or period format code	C an..3	R an..3	102 CCYMMDD

Remark:

The end date of the validity period for the new Delivery Schedule.
 This segment will be used if replacement of a certain time period of the schedule is done (i.e. if SG12.LIN.1229=9).

Example:

DTM+36:20060830:102'

VOLVO GLOBAL DELFOR D04A

Segment details

Group: **SG2** Status: R Max. Occ.: 1 Seller

Segment: **NAD** Seq. No.: 8 Level: 1 **Name and address**
 Status: M Max. Occ.: 1
 Counter: 0090

Name: **Seller's Name and Address**

Description of segment:

UN/EDIFACT		Implementation		
	Name	St Format	St Format	Use / Remarks
NAD				
3035	Party function code qualifier	M an..3	M an..3	SE Seller
C082	Party identification details	C	R	
3039	Party identifier	M an..35	M an..35	Seller ID.
1131	Code list identification code	C an..17	N	not used
3055	Code list responsible agency code	C an..3	R an..3	92 Assigned by buyer or buyer's agent
C058	Name and address	C	N	not used
3124	Name and address description	M an..35	N	not used
C080	Party name	C	C	
3036	Party name	M an..35	M an..35	Single text line for specification of a name.
C059	Street	C	C	
3042	Street and number or post office box identifier	M an..35	M an..35	The name that identifies the location of a house or building; usually within a street as part of an address.
3042	Street and number or post office box identifier	C an..35	C an..35	
3042	Street and number or post office box identifier	C an..35	N	not used
3164	City name	C an..35	C an..35	The name of the city, town, or village of this address.
C819	Country sub-entity details	C	C	
3229	Country sub-entity name code	C an..9	R an..9	State or region within a country. The use of UN LoCodes is recommended.
3251	Postal identification code	C an..17	C an..17	Postal code/Zip code
3207	Country name code	C an..3	C an..3	Provides the country part of an address using a code. Use ISO3166 two alpha code.

Remark:

Volvo's identification of the seller.
 The party who has liability to fulfill the contract.

Example:

NAD+SE+11122::92++SELLER COMPANY+SELLERROAD+SELLERTOWN++DE5409+DE '

VOLVO GLOBAL DELFOR D04A

Segment details

Group: **SG2** Status: D Max. Occ.: 1 Ultimate Customer

Segment: **NAD** Seq. No.: 10 Level: 1 **Name and address**
 Status: M Max. Occ.: 1
 Counter: 0090

Name: **Ultimate Customer's Name and Address**

Description of segment:

UN/EDIFACT		Implementation		
	Name	St Format	St Format	Use / Remarks
NAD				
3035	Party function code qualifier	M an..3	M an..3	UD Ultimate customer
C082	Party identification details	C	C	
3039	Party identifier	M an..35	M an..35	Ultimate Customer ID.
1131	Code list identification code	C an..17	N	not used
3055	Code list responsible agency code	C an..3	R an..3	92 Assigned by buyer or buyer's agent
C058	Name and address	C	N	not used
3124	Name and address description	M an..35	N	not used
C080	Party name	C	C	
3036	Party name	M an..35	M an..35	Single text line for specification of a name.
C059	Street	C	C	
3042	Street and number or post office box identifier	M an..35	M an..35	The name that identifies the location of a house or building; usually within a street as part of an address.
3042	Street and number or post office box identifier	C an..35	C an..35	
3042	Street and number or post office box identifier	C an..35	N	not used
3164	City name	C an..35	C an..35	The name of the city, town, or village of this address.
C819	Country sub-entity details	C	C	
3229	Country sub-entity name code	C an..9	R an..9	State or region within a country. The use of UN LoCodes is recommended.
3251	Postal identification code	C an..17	C an..17	Postal code/Zip code
3207	Country name code	C an..3	C an..3	Provides the country part of an address using a code. Use ISO3166 two alpha code.

Remark:

Volvo's identification of the Ultimate customer.
 The ultimate customer is the final recipient of the goods. Used to state the final customer if different from the Buyer or Ship-To.

Example:

NAD+UD+1001::92++VOLVO LASTVAGNAR AB+TUVE+GÖTEBORG++40508+SE'

VOLVO GLOBAL DELFOR D04A

Segment details

Group: **SG6** Status: R Max. Occ.: 9999 Ship-to level (instruction line)

Segment: **GEI** Seq. No.: 11 Level: 1 **Processing information**
 Status: M Max. Occ.: 1
 Counter: 0200

Name: **Processing information**

Description of segment:

UN/EDIFACT		Implementation		
	Name	St Format	St Format	Use / Remarks
GEI 9649	Processing information code qualifier	M an..3	M an..3	3 Scheduling type information

Remark:

Example:

GEI+3'

VOLVO GLOBAL DELFOR D04A

Segment details

Group: **SG6** Status: R Max. Occ.: 9999 Ship-to level (instruction line)

Group: **SG7** Status: R Max. Occ.: 1 Ship-to

Segment: **NAD** Seq. No.: 12 Level: 2 **Name and address**
 Status: M Max. Occ.: 1
 Counter: 0220

Name: **Ship To's Name and Address**

Description of segment:

UN/EDIFACT		Implementation		
	Name	St Format	St Format	Use / Remarks
NAD				
3035	Party function code qualifier	M an..3	M an..3	ST Ship to
C082	Party identification details	C	R	
3039	Party identifier	M an..35	M an..35	Ship To ID.
1131	Code list identification code	C an..17	N	not used
3055	Code list responsible agency code	C an..3	R an..3	92 Assigned by buyer or buyer's agent
C058	Name and address	C	N	not used
3124	Name and address description	M an..35	N	not used
C080	Party name	C	D	
3036	Party name	M an..35	M an..35	Single text line for specification of a name.
C059	Street	C	D	
3042	Street and number or post office box identifier	M an..35	M an..35	The name that identifies the location of a house or building; usually within a street as part of an address.
3042	Street and number or post office box identifier	C an..35	C an..35	
3042	Street and number or post office box identifier	C an..35	N	not used
3164	City name	C an..35	D an..35	The name of the city, town, or village of this address.
C819	Country sub-entity details	C	C	
3229	Country sub-entity name code	C an..9	R an..9	State or region within a country. The use of UN LoCodes is recommended.
3251	Postal identification code	C an..17	C an..17	Postal code/Zip code
3207	Country name code	C an..3	C an..3	Provides the country part of an address using a code. Use ISO3166 two alpha code.

Remark:

Volvo's identification of the Ship-to location.
 The party to which goods are to be shipped (consigned).
 Information in NAD.3036 and NAD.3164 should be stated on the Odette Transport Label.

Example:

NAD+ST+4388::92++VOLVO TRUCKS NORTH AMERICA+4881 COUGAR TRAIL ROAD+DUBLIN+++AD'

VOLVO GLOBAL DELFOR D04A

Segment details

Group: **SG6** Status: R Max. Occ.: 9999 Ship-to level (instruction line)
Group: **SG12** Status: R Max. Occ.: 9999 Scheduled Article Details
Group: **SG16** Status: D Max. Occ.: 1 In transit
Segment: **QTY** Seq. No.: 25 Level: 3 **Quantity**
 Status: M Max. Occ.: 1
 Counter: 0590

Name: In transit quantity

Description of segment:

UN/EDIFACT			Implementation	
	Name	St Format	St Format	Use / Remarks
QTY				
C186	Quantity details	M	M	
6063	Quantity type code qualifier	M an..3	M an..3	57 In transit quantity
6060	Quantity	M an..35	M n..15	Quantity of goods in transit (despatched but not received).
6411	Measurement unit code	C an..8	D an..8	Code specifying the unit of measurement. UN/ECE recommendation 20, Common code. If no UOM is sent by the plant/warehouse, the UOM should be considered as C62 (Pieces).

Remark:

The quantity is provided based on information received in the EDI despatch advice(s).
Used by some Volvo group plants/warehouses only.

Example:

QTY+57:5000'

VOLVO GLOBAL DELFOR D04A

Segment details

Group: **SG6** Status: R Max. Occ.: 9999 Ship-to level (instruction line)

Group: **SG12** Status: R Max. Occ.: 9999 Scheduled Article Details

Group: **SG16** Status: D Max. Occ.: 99 Previous despatch note numbers

Segment: **QTY** Seq. No.: 29 Level: 3 **Quantity**
 Status: M Max. Occ.: 1
 Counter: 0590

Name: Despatched/Received quantities

Description of segment:

UN/EDIFACT			Implementation	
	Name	St Format	St Format	Use / Remarks
QTY				
C186	Quantity details	M	M	
6063	Quantity type code qualifier	M an..3	M an..3	12 Despatch quantity 48 Received quantity
6060	Quantity	M an..35	M n..15	Quantity
6411	Measurement unit code	C an..8	D an..8	Code specifying the unit of measurement. UN/ECE Recommendation 20, Common code. If no UOM is sent by the plant/warehouse, the UOM should be considered as C62 (Pieces).

Remark:

12=The quantity which has been despatched.
 48=The quantity which has been received by the ship-to.

Example:

QTY+12:500'
 QTY+48:500'

VOLVO GLOBAL DELFOR D04A

Segment details

Group:	SG6	Status: R	Max. Occ.: 9999	Ship-to level (instruction line)
Group:	SG12	Status: R	Max. Occ.: 9999	Scheduled Article Details
Group:	SG18	Status: R	Max. Occ.: 999	Scheduling data
Segment:	SCC	Seq. No.: 32	Level: 3	Scheduling conditions
		Status: M	Max. Occ.: 1	
		Counter: 0650		

Name: Scheduling conditions

Description of segment:

UN/EDIFACT			Implementation	
	Name	St Format	St Format	Use / Remarks
SCC				
4017	Delivery plan commitment level code	M an..3	M an..3	1 4 24 Firm Planning/forecast Reference to commercial agreement between partners
4493	Delivery instruction code	C an..3	N	not used
C329	Pattern description	C	D	
2013	Frequency code	C an..3	R an..3	D J Discrete Just-in-time

Remark:

SCC.2013 =D indicates that the part should be delivered in a normal batch flow.
 SCC.2013 =J indicates that the part should be delivered in a JIT/JIS flow and firm order status are received in a separate DELJIT file.

Example:

SCC+1++D'
 SCC+4++J'

VOLVO GLOBAL DELFOR D04A

Segment details

Group: **SG6** Status: R Max. Occ.: 9999 Ship-to level (instruction line)

Group: **SG12** Status: R Max. Occ.: 9999 Scheduled Article Details

Group: **SG18** Status: R Max. Occ.: 999 Scheduling data

Group: **SG19** Status: R Max. Occ.: 1 Scheduled quantity

Segment: **DTM** Seq. No.: 34 Level: 5 **Date/time/period**
 Status: R Max. Occ.: 1
 Counter: 0680

Name: Scheduled dates

Description of segment:

UN/EDIFACT		Implementation		
	Name	St Format	St Format	Use / Remarks
DTM				
C507	Date/time/period	M	M	
2005	Date or time or period function code qualifier	M an..3	R an..3	10 Shipment date/time, requested 63 Delivery date/time, latest 64 Delivery date/time, earliest
2380	Date or time or period text	C an..35	R n..12	Date / period
2379	Date or time or period format code	C an..3	D an..3	102 CCYYMMDD 203 CCYYMMDDHHMM The qualifier 203 will only be used when there are more than one requirement in a day.

Remark:

DTM.2005 code 10 - shipment date/time of departure, fixed
 DTM.2005 code 63 - shipment (delivery initiated) date/time of departure, latest
 DTM.2005 code 64 - shipment (delivery initiated) date/time of departure, earliest

Example:

DTM+10:20060610:102'

VOLVO GLOBAL DELFOR D04A

Segment details

Group:	SG6	Status: R	Max. Occ.: 9999	Ship-to level (instruction line)
Group:	SG12	Status: R	Max. Occ.: 9999	Scheduled Article Details
Group:	SG18	Status: R	Max. Occ.: 999	Scheduling data
Group:	SG19	Status: R	Max. Occ.: 1	Scheduled quantity
Group:	SG20	Status: D	Max. Occ.: 1	Reference documents
Segment:	RFF	Seq. No.: 35 Status: M Counter: 0700	Level: 5 Max. Occ.: 1	Reference

Name: Reference

Description of segment:

UN/EDIFACT			Implementation	
	Name	St Format	St Format	Use / Remarks
RFF				
C506	Reference	M	M	
1153	Reference code qualifier	M an..3	M an..3	AAP Part consignment number
1154	Reference identifier	C an..70	R an..17	Reference to a specific consignment for item deliveries.

Remark:

After special agreement with Volvo, a reference is made here to an order line or other customer oriented reference concept.

Example:

RFF+AAP:36001'

VOLVO GLOBAL DELFOR D04A

Segment details

Group: **SG6** Status: R Max. Occ.: 9999 Ship-to level (instruction line)

Group: **SG12** Status: R Max. Occ.: 9999 Scheduled Article Details

Group: **SG18** Status: D Max. Occ.: 999 Authorization / Commitment

Group: **SG19** Status: R Max. Occ.: 1 Date(s) and quantities

Segment: **DTM** Seq. No.: 38 Level: 5 **Date/time/period**
 Status: D Max. Occ.: 2
 Counter: 0680

Name: Authorisation period

Description of segment:

UN/EDIFACT			Implementation	
	Name	St Format	St Format	Use / Remarks
DTM				
C507	Date/time/period	M	M	
2005	Date or time or period function code qualifier	M an..3	M an..3	194 Start date/time 206 End date/time
2380	Date or time or period text	C an..35	R n8	Start or end date of a given period (depending on code given in DTM.2005).
2379	Date or time or period format code	C an..3	R an..3	102 CCYYMMDD

Remark:

Date of authorisation for production or procurement of materials (for the commitment for material quantity).
 To be given when applicable.

Example:

DTM+194:20060710:102 '
 DTM+206:20060910:102 '

VOLVO GLOBAL DELFOR D04A

Segment details

Segment: UNT
 Seq. No.: 39 Level: 0 **Message trailer**
 Status: M Max. Occ.: 1
 Counter: 1110

Name: **Message trailer**

Description of segment:

UN/EDIFACT			Implementation	
	Name	St Format	St Format	Use / Remarks
UNT 0074	Number of segments in the message	M n..6	M n..6	Number of segments in the message.
0062	Message reference number	M an..14	M an..14	Message reference number.

Remark:

Example:

UNT+125+123456'