



Message Specification

## **VOLVO GLOBAL DELFOR D04A**

Based on:

**DELFOR**

Delivery schedule message

**JAI EDIFACT D.04A; 2004**

Version: 2  
Variant: 1  
Issue date: 2019-07-04  
Author: Volvo Information Technology AB

---

## Message Structure

Counter	No	Tag	St	MaxOcc	Level	Content
0010	1	<b>UNH</b>	M	1	0	Message header
0020	2	<b>BGM</b>	M	1	0	Beginning of message
0030	3	<b>DTM</b>	M	1	1	Document Issue Date
0030	4	<b>DTM</b>	R	1	1	Validity Start Date
0030	5	<b>DTM</b>	D	1	1	Expiry Date
0080		<b>SG2</b>	R	1	1	Buyer
0090	6	<b>NAD</b>	M	1	1	Buyer's Name and Address
0080		<b>SG2</b>	D	1	1	Delivery Party
0090	7	<b>NAD</b>	M	1	1	Delivery Party's Name and Address
0080		<b>SG2</b>	R	1	1	Seller
0090	8	<b>NAD</b>	M	1	1	Seller's Name and Address
0080		<b>SG2</b>	R	1	1	Ship From
0090	9	<b>NAD</b>	M	1	1	Ship From's Name and Address
0080		<b>SG2</b>	D	1	1	Ultimate Customer
0090	10	<b>NAD</b>	M	1	1	Ultimate Customer's Name and Address
0190		<b>SG6</b>	R	9999	1	Ship-to level (instruction line)
0200	11	<b>GEI</b>	M	1	1	Processing information
0210		<b>SG7</b>	R	1	2	Ship-to
0220	12	<b>NAD</b>	M	1	2	Ship To's Name and Address
0310		<b>SG10</b>	D	1	3	Material Control Contact
0320	13	<b>CTA</b>	M	1	3	Material Control Contact
0330	14	<b>COM</b>	R	1	4	Communication contact
0370		<b>SG12</b>	R	9999	2	Scheduled Article Details
0380	15	<b>LIN</b>	M	1	2	Line item
0390	16	<b>PIA</b>	D	1	3	Additional product id
0400	17	<b>IMD</b>	D	1	3	Item description
0410	18	<b>MEA</b>	D	1	3	Measurements
0450	19	<b>LOC</b>	R	1	3	Place of discharge
0450	20	<b>LOC</b>	R	1	3	Internal place of destination
0460	21	<b>DTM</b>	R	1	3	Date/time/period
0480		<b>SG13</b>	R	1	3	Order reference
0490	22	<b>RFF</b>	M	1	3	Order reference
0480		<b>SG13</b>	D	1	3	Reference to Previous Delivery Instruction
0490	23	<b>RFF</b>	M	1	3	Previous Delivery Instruction
0580		<b>SG16</b>	D	1	3	Order balance
0590	24	<b>QTY</b>	M	1	3	Order balance
0580		<b>SG16</b>	D	1	3	In transit
0590	25	<b>QTY</b>	M	1	3	In transit quantity
0580		<b>SG16</b>	D	1	3	Backorder

Counter = Counter of segment/group within the standard  
 No = Consecutive segment number  
 MaxOcc = Maximum occurrence of the segment/group

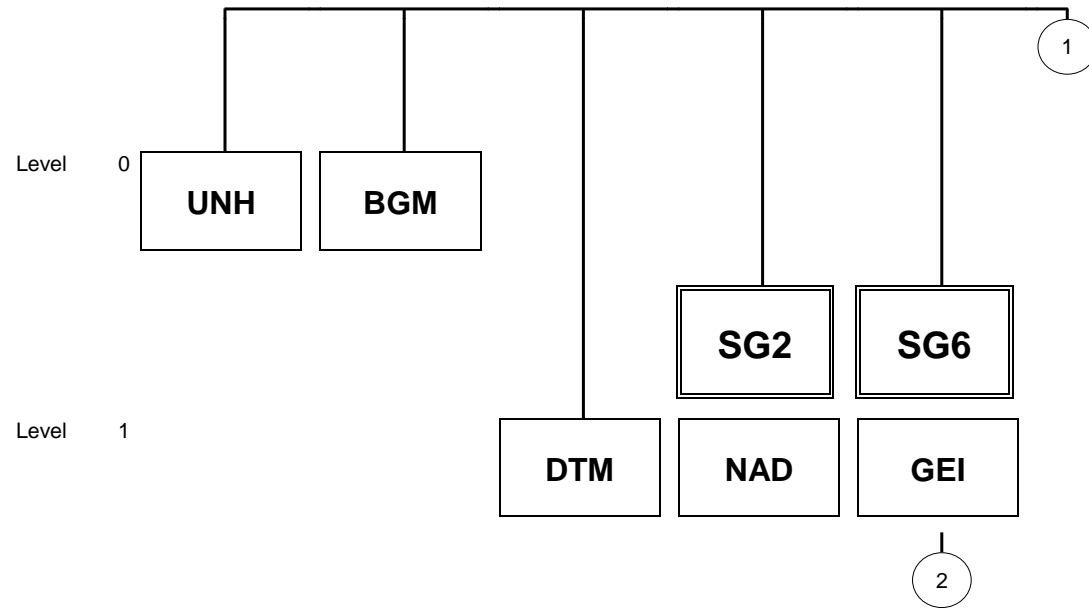
St = Status  
 EDIFACT: M=Mandatory, C=Conditional  
 User specific: R=Required, O=Optional, D=Dependent,  
 A=Advised, N=Not used

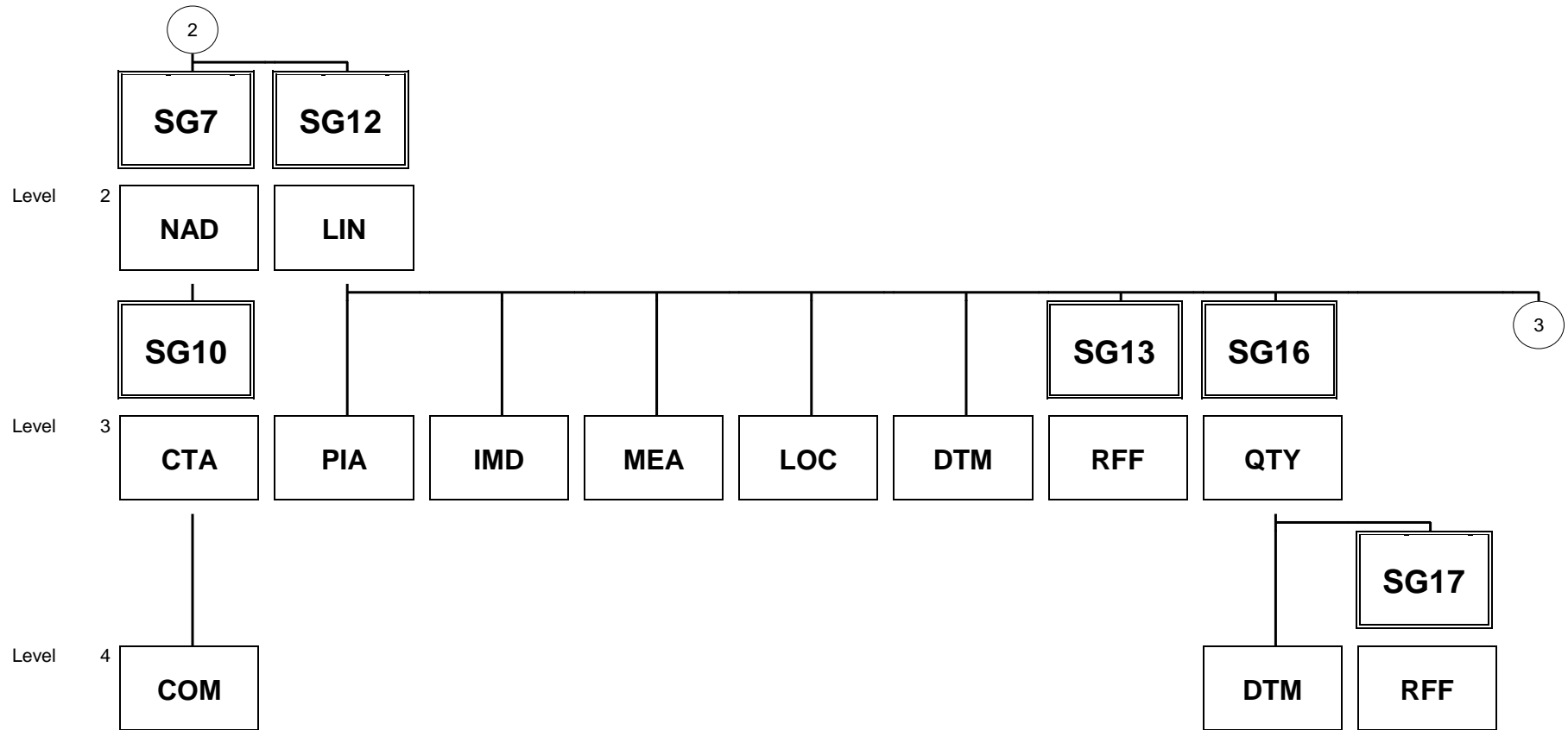
Counter	No	Tag	St	MaxOcc	Level	Content
0590	26	<b>QTY</b>	M	1	3	Backorder quantity
0580		<b>SG16</b>	R	1	3	Cumulative quantities
0590	27	<b>QTY</b>	M	1	3	Cumulative quantities
0600	28	<b>DTM</b>	R	1	4	Cumulative quantity date(s)
0580		<b>SG16</b>	D	99	3	Previous despatch note numbers
0590	29	<b>QTY</b>	M	2	3	Despatched/Received quantities
0600	30	<b>DTM</b>	D	2	4	Despatch/Received dates
0610		<b>SG17</b>	R	1	4	Despatch / receiving document reference
0620	31	<b>RFF</b>	M	1	4	Reference
0640		<b>SG18</b>	R	999	3	Scheduling data
0650	32	<b>SCC</b>	M	1	3	Scheduling conditions
0660		<b>SG19</b>	R	1	4	Scheduled quantity
0670	33	<b>QTY</b>	M	1	4	Quantity
0680	34	<b>DTM</b>	R	1	5	Scheduled dates
0690		<b>SG20</b>	D	1	5	Reference documents
0700	35	<b>RFF</b>	M	1	5	Reference
0640		<b>SG18</b>	D	999	3	Authorization / Commitment
0650	36	<b>SCC</b>	M	1	3	Scheduling conditions
0660		<b>SG19</b>	R	1	4	Date(s) and quantities
0670	37	<b>QTY</b>	M	1	4	Quantity
0680	38	<b>DTM</b>	D	2	5	Authorisation period
0720		<b>SG21</b>	D	1	3	Packaging information
0730	39	<b>PAC</b>	M	1	3	Package
0740	40	<b>MEA</b>	D	1	4	Weights
0750	41	<b>QTY</b>	D	1	4	Quantity per package
1110	42	<b>UNT</b>	M	1	0	Message trailer

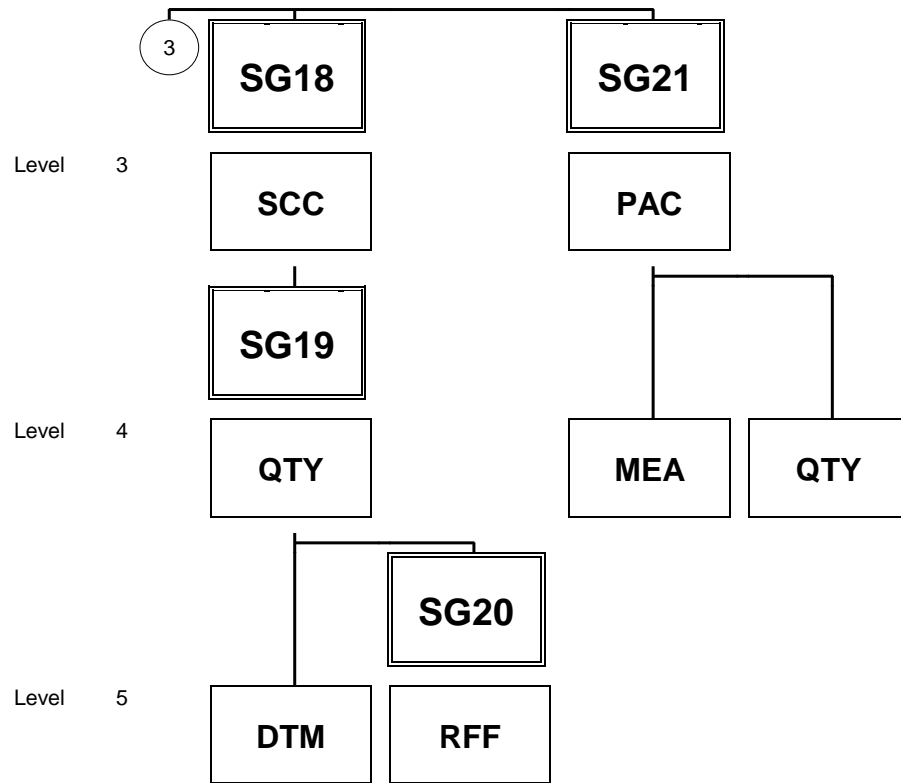
Counter = Counter of segment/group within the standard  
 No = Consecutive segment number  
 MaxOcc = Maximum occurrence of the segment/group

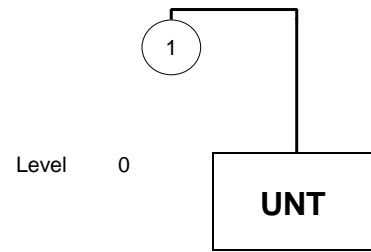
St = Status  
 EDIFACT: M=Mandatory, C=Conditional  
 User specific: R=Required, O=Optional, D=Dependent,  
 A=Advised, N=Not used

### Branching Diagram of Used Segments/Groups









# VOLVO GLOBAL DELFOR D04A

## Segment details

**Segment:** UNH
 Seq. No.: 1 Level: 0 **Message header**  
 Status: M Max. Occ.: 1  
 Counter: 0010

**Name:** Message header

**Description of segment:**

UN/EDIFACT			Implementation	
	Name	St Format	St Format	Use / Remarks
UNH				
0062	Message reference number	M an..14	M an..14	Message reference number should be unique for an agreed period of time (e.g. calendar year, model year).
S009	Message identifier	M	M	
0065	Message type	M an..6	M an..6	<b>DELFOR Delivery Forecast message</b>
0052	Message version number	M an..3	M an..3	<b>D Draft version/UN/EDIFACT Directory</b>
0054	Message release number	M an..3	M an..3	<b>04A Release 2004 - A</b>
0051	Controlling agency	M an..2	M an..2	<b>UN UN/CEFACT</b>
0057	Association assigned code	C an..6	R an..6	Identification of the subset release, assigned by the responsible organisation (Odette resp. joint automotive initiative forum). <b>GBSD11 Volvo Group DELFOR D04A (2014 version)</b>

**Remark:**

**Example:**

UNH+123456+DELFOR:D:04A:UN:GBSD11'



# VOLVO GLOBAL DELFOR D04A

## Segment details

**Segment:** BGM
 Seq. No.: 2 Level: 0 **Beginning of message**  
 Status: M Max. Occ.: 1  
 Counter: 0020

**Name:** Beginning of message

**Description of segment:**

UN/EDIFACT			Implementation	
	Name	St Format	St Format	Use / Remarks
BGM				
C002	Document/message name	C	R	
1001	Document name code	C an..3	R an..3	<b>236 Delivery forecast</b> <b>241 Delivery schedule</b> Code 236 - DELFOR message contains only forecasting figures Code 241 - DELFOR contains forecasting and firm figures (combination of firm instructions and forecasting figures)
1131	Code list identification code	C an..17	N	not used
3055	Code list responsible agency code	C an..3	N	not used
1000	Document name	C an..35	C an..35	<b>DF Code indicating DELFOR message</b>
C106	Document/message identification	C	R	
1004	Document identifier	C an..35	R an..35	Delivery Schedule number.

**Remark:**

**Example:**

BGM+236:::DF+200607110102'  
 BGM+241:::DF+200607110102'

# VOLVO GLOBAL DELFOR D04A

## Segment details

**Segment:** DTM
 Seq. No.: 3 Level: 1 Date/time/period  
 Status: M Max. Occ.: 1  
 Counter: 0030

**Name:** Document Issue Date

**Description of segment:**

UN/EDIFACT			Implementation	
	Name	St Format	St Format	Use / Remarks
DTM				
C507	Date/time/period	M	M	
2005	Date or time or period function code qualifier	M an..3	M an..3	<b>137 Document/message date/time</b>
2380	Date or time or period text	C an..35	R n8	Date on which a document or business signal was issued.
2379	Date or time or period format code	C an..3	R an..3	<b>102 CCYMMDD</b>

**Remark:**

**Example:**

DTM+137:20060711:102'

# VOLVO GLOBAL DELFOR D04A

## Segment details

**Segment:** DTM
 Seq. No.: 4    Level: 1    **Date/time/period**  
 Status: R    Max. Occ.: 1  
 Counter: 0030

**Name:**            **Validity Start Date**

**Description of segment:**

UN/EDIFACT		Implementation		
	Name	St Format	St Format	Use / Remarks
DTM				
C507	Date/time/period	M	M	
2005	Date or time or period function code qualifier	M an..3	M an..3	<b>157    Validity start date</b>
2380	Date or time or period text	C an..35	R n8	Start date of a given period.
2379	Date or time or period format code	C an..3	R an..3	<b>102    CCYYMMDD</b>

**Remark:**

The date from when the new Delivery Schedule is valid.

**Example:**

DTM+157:20060710:102'

# VOLVO GLOBAL DELFOR D04A

## Segment details

**Segment:** DTM
 Seq. No.: 5    Level: 1    **Date/time/period**  
 Status: D    Max. Occ.: 1  
 Counter: 0030

**Name:**            **Expiry Date**

**Description of segment:**

UN/EDIFACT			Implementation	
	Name	St Format	St Format	Use / Remarks
DTM				
C507	Date/time/period	M	M	
2005	Date or time or period function code qualifier	M an..3	M an..3	<b>36      Expiry date</b>
2380	Date or time or period text	C an..35	R n8	End date of a given period.
2379	Date or time or period format code	C an..3	R an..3	<b>102      CCYMMDD</b>

**Remark:**

The end date of the validity period for the new Delivery Schedule.  
 This segment will be used if replacement of a certain time period of the schedule is done (i.e. if SG12.LIN.1229=38).

**Example:**

DTM+36:20060830:102'

# VOLVO GLOBAL DELFOR D04A

## Segment details

**Group:** **SG2**    Status: R    Max. Occ.: 1    Buyer

**Segment:** **NAD**    Seq. No.: 6    Level: 1    **Name and address**  
 Status: M    Max. Occ.: 1  
 Counter: 0090

**Name:**            **Buyer's Name and Address**

**Description of segment:**

UN/EDIFACT			Implementation	
	Name	St Format	St Format	Use / Remarks
NAD				
3035	Party function code qualifier	M an..3	M an..3	<b>BY</b> <b>Buyer</b>
C082	Party identification details	C	R	
3039	Party identifier	M an..35	M an..35	Buyer ID.
1131	Code list identification code	C an..17	N	not used
3055	Code list responsible agency code	C an..3	R an..3	<b>92</b> <b>Assigned by buyer or buyer's agent</b>
C058	Name and address	C	N	not used
3124	Name and address description	M an..35	N	not used
C080	Party name	C	C	
3036	Party name	M an..35	M an..35	Single text line for specification of a name.
C059	Street	C	C	
3042	Street and number or post office box identifier	M an..35	M an..35	The name that identifies the location of a house or building; usually within a street as part of an address.
3042	Street and number or post office box identifier	C an..35	C an..35	
3042	Street and number or post office box identifier	C an..35	N	not used
3164	City name	C an..35	C an..35	The name of the city, town, or village of this address.
C819	Country sub-entity details	C	C	
3229	Country sub-entity name code	C an..9	R an..9	State or region within a country. The use of UN LoCodes is recommended.
3251	Postal identification code	C an..17	C an..17	Postal code/Zip code
3207	Country name code	C an..3	C an..3	Provides the country part of an address using a code. Use ISO3166 two alpha code.

**Remark:**

Volvo's identification of the buying company.  
 If name and address information is given the information shall be returned in the invoice message.

**Example:**

NAD+BY+1020::92++VOLVO LASTVAGNAR AB+TUVE+GÖTEBORG++40508+SE'

# VOLVO GLOBAL DELFOR D04A

## Segment details

**Group:** **SG2** Status: D Max. Occ.: 1 Delivery Party

**Segment:** **NAD** Seq. No.: 7 Level: 1 **Name and address**  
 Status: M Max. Occ.: 1  
 Counter: 0090

**Name:** Delivery Party's Name and Address

### Description of segment:

UN/EDIFACT			Implementation	
	Name	St Format	St Format	Use / Remarks
NAD				
3035	Party function code qualifier	M an..3	M an..3	<b>DP</b> Delivery party
C082	Party identification details	C	C	
3039	Party identifier	M an..35	M an..35	Delivery Party ID.
1131	Code list identification code	C an..17	N	not used
3055	Code list responsible agency code	C an..3	R an..3	<b>92</b> Assigned by buyer or buyer's agent
C058	Name and address	C	N	not used
3124	Name and address description	M an..35	N	not used
C080	Party name	C	C	
3036	Party name	M an..35	M an..35	Single text line for specification of a name.
C059	Street	C	C	
3042	Street and number or post office box identifier	M an..35	M an..35	The name that identifies the location of a house or building; usually within a street as part of an address.
3042	Street and number or post office box identifier	C an..35	C an..35	
3042	Street and number or post office box identifier	C an..35	N	not used
3164	City name	C an..35	C an..35	The name of the city, town, or village of this address.
C819	Country sub-entity details	C	C	
3229	Country sub-entity name code	C an..9	R an..9	State or region within a country. The use of UN LoCodes is recommended.
3251	Postal identification code	C an..17	C an..17	Postal code/Zip code
3207	Country name code	C an..3	C an..3	Provides the country part of an address using a code. Use ISO3166 two alpha code.

### Remark:

Volvo's identification of sub-contractor or third party delivery center.

### Example:

NAD+DP+12345::92++DELIVERY PARTY COMPANY+SMALLROAD+SMALLTOWN++DE5409+DE'

# VOLVO GLOBAL DELFOR D04A

## Segment details

**Group:** **SG2**    Status: R    Max. Occ.: 1    Seller

**Segment:** **NAD**    Seq. No.: 8    Level: 1    **Name and address**  
 Status: M    Max. Occ.: 1  
 Counter: 0090

**Name:**            **Seller's Name and Address**

**Description of segment:**

UN/EDIFACT			Implementation	
	Name	St Format	St Format	Use / Remarks
NAD				
3035	Party function code qualifier	M an..3	M an..3	<b>SE</b> <b>Seller</b>
C082	Party identification details	C	R	
3039	Party identifier	M an..35	M an..35	Seller ID.
1131	Code list identification code	C an..17	N	not used
3055	Code list responsible agency code	C an..3	R an..3	<b>92</b> <b>Assigned by buyer or buyer's agent</b>
C058	Name and address	C	N	not used
3124	Name and address description	M an..35	N	not used
C080	Party name	C	C	
3036	Party name	M an..35	M an..35	Single text line for specification of a name.
C059	Street	C	C	
3042	Street and number or post office box identifier	M an..35	M an..35	The name that identifies the location of a house or building; usually within a street as part of an address.
3042	Street and number or post office box identifier	C an..35	C an..35	
3042	Street and number or post office box identifier	C an..35	N	not used
3164	City name	C an..35	C an..35	The name of the city, town, or village of this address.
C819	Country sub-entity details	C	C	
3229	Country sub-entity name code	C an..9	R an..9	State or region within a country. The use of UN LoCodes is recommended.
3251	Postal identification code	C an..17	C an..17	Postal code/Zip code
3207	Country name code	C an..3	C an..3	Provides the country part of an address using a code. Use ISO3166 two alpha code.

**Remark:**

Volvo's identification of the seller.  
 The party who has liability to fulfill the contract.  
 If name and address information is given the information shall be returned in the invoice message.

**Example:**

NAD+SE+11122::92++SELLER COMPANY+SELLERROAD+SELLERTOWN++DE5409+DE'

# VOLVO GLOBAL DELFOR D04A

## Segment details

**Group:** SG2    Status: R    Max. Occ.: 1    Ship From

**Segment:** NAD    Seq. No.: 9    Level: 1    **Name and address**  
 Status: M    Max. Occ.: 1  
 Counter: 0090

**Name:**            Ship From's Name and Address

**Description of segment:**

UN/EDIFACT			Implementation	
	Name	St Format	St Format	Use / Remarks
NAD				
3035	Party function code qualifier	M an..3	M an..3	<b>SF      Ship from</b>
C082	Party identification details	C	C	
3039	Party identifier	M an..35	M an..35	Ship From ID.
1131	Code list identification code	C an..17	N	not used
3055	Code list responsible agency code	C an..3	R an..3	<b>92      Assigned by buyer or buyer's agent</b>
C058	Name and address	C	N	not used
3124	Name and address description	M an..35	N	not used
C080	Party name	C	C	
3036	Party name	M an..35	M an..35	Single text line for specification of a name.
C059	Street	C	C	
3042	Street and number or post office box identifier	M an..35	M an..35	The name that identifies the location of a house or building; usually within a street as part of an address.
3042	Street and number or post office box identifier	C an..35	C an..35	
3042	Street and number or post office box identifier	C an..35	N	not used
3164	City name	C an..35	C an..35	The name of the city, town, or village of this address.
C819	Country sub-entity details	C	C	
3229	Country sub-entity name code	C an..9	R an..9	State or region within a country. The use of UN LoCodes is recommended.
3251	Postal identification code	C an..17	C an..17	Postal code/Zip code
3207	Country name code	C an..3	C an..3	Provides the country part of an address using a code. Use ISO3166 two alpha code.

**Remark:**

Volvo's identification of the Ship From.  
 The party, which consigns or sends goods.  
 If name and address information is given the information shall be returned in the invoice message.

**Example:**

NAD+SF+56789::92++SHIP FROM COMPANY+SFRoad+SFTOWN++DE5409+DE'



# VOLVO GLOBAL DELFOR D04A

## Segment details

**Group:** **SG2**      Status: D      Max. Occ.: 1      Ultimate Customer

**Segment:** **NAD**      Seq. No.: 10      Level: 1      **Name and address**  
 Status: M      Max. Occ.: 1  
 Counter: 0090

**Name:**      **Ultimate Customer's Name and Address**

**Description of segment:**

UN/EDIFACT			Implementation	
	Name	St Format	St Format	Use / Remarks
NAD				
3035	Party function code qualifier	M an..3	M an..3	<b>UD</b> <b>Ultimate customer</b>
C082	Party identification details	C	C	
3039	Party identifier	M an..35	M an..35	Ultimate Customer ID.
1131	Code list identification code	C an..17	N	not used
3055	Code list responsible agency code	C an..3	R an..3	<b>92</b> <b>Assigned by buyer or buyer's agent</b>
C058	Name and address	C	N	not used
3124	Name and address description	M an..35	N	not used
C080	Party name	C	C	
3036	Party name	M an..35	M an..35	Single text line for specification of a name.
C059	Street	C	C	
3042	Street and number or post office box identifier	M an..35	M an..35	The name that identifies the location of a house or building; usually within a street as part of an address.
3042	Street and number or post office box identifier	C an..35	C an..35	
3042	Street and number or post office box identifier	C an..35	N	not used
3164	City name	C an..35	C an..35	The name of the city, town, or village of this address.
C819	Country sub-entity details	C	C	
3229	Country sub-entity name code	C an..9	R an..9	State or region within a country. The use of UN LoCodes is recommended.
3251	Postal identification code	C an..17	C an..17	Postal code/Zip code
3207	Country name code	C an..3	C an..3	Provides the country part of an address using a code. Use ISO3166 two alpha code.

**Remark:**

Volvo's identification of the Ultimate customer.  
 The ultimate customer is the final recipient of the goods. Used to state the final customer if different from the Buyer or Ship-To.  
 If name and address information is given the information shall be returned in the invoice message.

**Example:**

NAD+UD+1001::92++VOLVO LASTVAGNAR AB+TUVE+GÖTEBORG++40508+SE'

# VOLVO GLOBAL DELFOR D04A

## Segment details

**Group:** **SG6**    Status: R    Max. Occ.: 9999    Ship-to level (instruction line)

**Segment:** **GEI**    Seq. No.: 11    Level: 1    **Processing information**  
 Status: M    Max. Occ.: 1  
 Counter: 0200

**Name:**            **Processing information**

**Description of segment:**

UN/EDIFACT		Implementation		
	Name	St Format	St Format	Use / Remarks
GEI 9649	Processing information code qualifier	M an..3	M an..3	<b>3</b> <b>Scheduling type information</b>

**Remark:**

**Example:**

GEI+3'

# VOLVO GLOBAL DELFOR D04A

## Segment details

**Group:** **SG6** Status: R Max. Occ.: 9999 Ship-to level (instruction line)

**Group:** **SG7** Status: R Max. Occ.: 1 Ship-to

**Segment:** **NAD** Seq. No.: 12 Level: 2 **Name and address**  
 Status: M Max. Occ.: 1  
 Counter: 0220

**Name:** Ship To's Name and Address

**Description of segment:**

UN/EDIFACT		Implementation		
	Name	St Format	St Format	Use / Remarks
NAD				
3035	Party function code qualifier	M an..3	M an..3	<b>ST Ship to</b>
C082	Party identification details	C	R	
3039	Party identifier	M an..35	M an..35	Ship To ID.
1131	Code list identification code	C an..17	N	not used
3055	Code list responsible agency code	C an..3	R an..3	<b>92 Assigned by buyer or buyer's agent</b>
C058	Name and address	C	N	not used
3124	Name and address description	M an..35	N	not used
C080	Party name	C	D	
3036	Party name	M an..35	M an..35	Single text line for specification of a name.
C059	Street	C	D	
3042	Street and number or post office box identifier	M an..35	M an..35	The name that identifies the location of a house or building; usually within a street as part of an address.
3042	Street and number or post office box identifier	C an..35	C an..35	
3042	Street and number or post office box identifier	C an..35	N	not used
3164	City name	C an..35	D an..35	The name of the city, town, or village of this address.
C819	Country sub-entity details	C	C	
3229	Country sub-entity name code	C an..9	R an..9	State or region within a country. The use of UN LoCodes is recommended.
3251	Postal identification code	C an..17	C an..17	Postal code/Zip code
3207	Country name code	C an..3	C an..3	Provides the country part of an address using a code. Use ISO3166 two alpha code.

**Remark:**

Volvo's identification of the Ship-to location.  
 The party to which goods are to be shipped (consigned).  
 If name and address information is given the information shall be returned in the invoice message.  
 Information in NAD.3036 and NAD.3164 should be stated on the Odette Transport Label.

**Example:**

NAD+ST+4388::92++VOLVO TRUCKS NORTH AMERICA+4881 COUGAR TRAIL ROAD+DUBLIN+++AD'

# VOLVO GLOBAL DELFOR D04A

## Segment details

**Group:** **SG6**    Status: R    Max. Occ.: 9999    Ship-to level (instruction line)

**Group:** **SG7**    Status: R    Max. Occ.: 1    Ship-to

**Group:** **SG10**    Status: D    Max. Occ.: 1    Material Control Contact  
Used by some Volvo group plants/warehouses only.

**Segment:** **CTA**    Seq. No.: 13    Level: 3    **Contact information**  
Status: M    Max. Occ.: 1  
Counter: 0320

**Name:**            **Material Control Contact**

**Description of segment:**

UN/EDIFACT		Implementation		
	Name	St Format	St Format	Use / Remarks
CTA				
3139	Contact function code	C an..3	R an..3	<b>MC    Schedule contact</b>
C056	Department or employee details	C	R	
3413	Department or employee name code	C an..17	N	not used
3412	Department or employee name	C an..35	R an..35	Name of the contact person or department.

**Remark:**

Information that identifies the contact person or department together with information about how they can be contacted.

**Example:**

CTA+MC+ : JOE SMITH'

# VOLVO GLOBAL DELFOR D04A

## Segment details

**Group:** **SG6**    Status: R    Max. Occ.: 9999    Ship-to level (instruction line)

**Group:** **SG7**    Status: R    Max. Occ.: 1    Ship-to

**Group:** **SG10**    Status: D    Max. Occ.: 1    Material Control Contact  
Used by some Volvo group plants/warehouses only.

**Segment:** **COM**    Seq. No.: 14    Level: 4    **Communication contact**  
Status: R    Max. Occ.: 1  
Counter: 0330

**Name:**                    **Communication contact**

**Description of segment:**

UN/EDIFACT		Implementation		
	Name	St Format	St Format	Use / Remarks
COM				
C076	Communication contact	M	M	
3148	Communication address identifier	M an..512	M an..100	The number or virtual 'address' of a telephone in a telecommunication system.
3155	Communication address code qualifier	M an..3	M an..3	<b>TE        Telephone</b>

**Remark:**

**Example:**

COM+0123456789012:TE'

# VOLVO GLOBAL DELFOR D04A

## Segment details

**Group:** **SG6**      Status: R      Max. Occ.: 9999      Ship-to level (instruction line)

**Group:** **SG12**      Status: R      Max. Occ.: 9999      Scheduled Article Details

**Segment:** **LIN**      Seq. No.: 15    Level: 2      **Line item**  
                                  Status: M    Max. Occ.: 1  
                                  Counter: 0380

**Name:**                    **Line item**

**Description of segment:**

UN/EDIFACT		Implementation		
	Name	St Format	St Format	Use / Remarks
LIN				
1082	Line item identifier	C an..6	N	not used
1229	Action request/notification description code	C an..3	R an..3	<b>9</b> <b>Amendments</b> <b>38</b> <b>Replaced</b> Code 9 - Amendments - means the shedule lines of a previous forecast/ instruction are replaced only for the specific horizon indicated. All figures before and after remain valid. This requires an effective from and an effective to date on header level. Code 38 - the complete previous forecast / instruction for this line item is replaced by new figures for the full horizon.
C212	Item number identification	C	R	
7140	Item identifier	C an..35	R an..35	Volvo's article number.
7143	Item type identification code	C an..3	R an..3	<b>IN</b> <b>Buyer's item number</b>

**Remark:**

The supplier is responsible for converting Volvo's article number into the supplier's own internal number.

**Example:**

LIN++38+1137005:IN'

# VOLVO GLOBAL DELFOR D04A

## Segment details

**Group:** **SG6**    Status: R    Max. Occ.: 9999    Ship-to level (instruction line)

**Group:** **SG12**    Status: R    Max. Occ.: 9999    Scheduled Article Details

**Segment:** **PIA**    Seq. No.: 16    Level: 3    **Additional product id**  
 Status: D    Max. Occ.: 1  
 Counter: 0390

**Name:**            **Additional product id**

**Description of segment:**

UN/EDIFACT		Implementation		
	Name	St Format	St Format	Use / Remarks
PIA				
4347	Product identifier code qualifier	M an..3	M an..3	<b>1            Additional identification</b>
C212	Item number identification	M	M	
7140	Item identifier	C an..35	R an..35	Vendor item number (used by some Volvo group plants/ warehouses only). OR The number of a technical drawing allocated to an item.
7143	Item type identification code	C an..3	R an..3	<b>DR            Drawing revision number</b> <b>VN            Vendor item number</b>
C212	Item number identification	C	C	
7140	Item identifier	C an..35	R an..35	Vendor item number (used by some Volvo group plants/ warehouses only). OR The number of a technical drawing allocated to an item.
7143	Item type identification code	C an..3	R an..3	<b>DR            Drawing revision number</b> <b>VN            Vendor item number</b>

**Remark:**

Drawing revision number will only be used after special agreement. Vendor number will be sent by some Volvo plants for some suppliers only.

**Example:**

PIA+1+P04:DR'  
 PIA+1+ABC1234:VN'  
 PIA+1+ABC1234:VN+P04:DR'

# VOLVO GLOBAL DELFOR D04A

## Segment details

**Group:** **SG6** Status: R Max. Occ.: 9999 Ship-to level (instruction line)

**Group:** **SG12** Status: R Max. Occ.: 9999 Scheduled Article Details

**Segment:** **IMD** Seq. No.: 17 Level: 3 **Item description**  
 Status: D Max. Occ.: 1  
 Counter: 0400

**Name:** **Item description**

**Description of segment:**

UN/EDIFACT		Implementation		
	Name	St Format	St Format	Use / Remarks
IMD				
7077	Description format code	C an..3	D an..3	<b>S</b> <b>Structured (from industry code list)</b>
C272	Item characteristic	C	N	not used
7081	Item characteristic code	C an..3	N	not used
1131	Code list identification code	C an..17	N	not used
C273	Item description	C	R	
7009	Item description code	C an..17	D n2	<b>20</b> <b>22</b> <b>Current article</b> <b>Module number</b>
1131	Code list identification code	C an..17	N	not used
3055	Code list responsible agency code	C an..3	N	not used
7008	Item description	C an..256	R an..35	Volvo's article description

**Remark:**

If IMD.7009 is empty or =20 the information in IMD.7008 = Volvo's article description.  
 If IMD.7009 =22 the information in 7008 = Volvo's ECP (External Component Part) description.  
 IMD.7009 =22 is only used in sequence (JIT/JIS) flows and after special agreement.  
 Used by some Volvo group plants/warehouses only.

**Example:**

```
IMD+S++20:::BOLT'  
IMD+S++22:::CABLE HARNESS'
```



# VOLVO GLOBAL DELFOR D04A

## Segment details

**Group:** **SG6**    Status: R    Max. Occ.: 9999    Ship-to level (instruction line)

**Group:** **SG12**    Status: R    Max. Occ.: 9999    Scheduled Article Details

**Segment:** **MEA**    Seq. No.: 18    Level: 3    **Measurements**  
 Status: D    Max. Occ.: 1  
 Counter: 0410

**Name:**            **Measurements**

**Description of segment:**

UN/EDIFACT		Implementation		
	Name	St Format	St Format	Use / Remarks
MEA				
6311	Measurement purpose code qualifier	M an..3	M an..3	<b>WT    Weights</b>
C502	Measurement details	C	R	
6313	Measured attribute code	C an..3	R an..3	<b>U    Weight per unit</b>
C174	Value/range	C	R	
6411	Measurement unit code	M an..8	M an..8	Code specifying the unit of measurement. UN/ECE Recommendation 20, Common code.
6314	Measure	C an..18	R an..18	Weight of specific part.

**Remark:**

Information of the weight of the part.  
Only used by some Volvo group plants/warehouses.

**Example:**

MEA+WT+U+KGM: 4 '

# VOLVO GLOBAL DELFOR D04A

## Segment details

**Group:** **SG6** Status: R Max. Occ.: 9999 Ship-to level (instruction line)

**Group:** **SG12** Status: R Max. Occ.: 9999 Scheduled Article Details

**Segment:** **LOC** Seq. No.: 19 Level: 3 **Place/location identification**  
 Status: R Max. Occ.: 1  
 Counter: 0450

**Name:** Place of discharge

**Description of segment:**

UN/EDIFACT			Implementation	
	Name	St Format	St Format	Use / Remarks
LOC				
3227	Location function code qualifier	M an..3	M an..3	<b>11</b> Place/port of discharge
C517	Location identification	C	R	
3225	Location name code	C an..35	R an..35	Volvo's identity on the place of discharge.
1131	Code list identification code	C an..17	N	not used
3055	Code list responsible agency code	C an..3	R an..3	<b>92</b> Assigned by buyer or buyer's agent

**Remark:**

**Example:**

LOC+11+556:::92'

# VOLVO GLOBAL DELFOR D04A

## Segment details

**Group:** **SG6** Status: R Max. Occ.: 9999 Ship-to level (instruction line)

**Group:** **SG12** Status: R Max. Occ.: 9999 Scheduled Article Details

**Segment:** **LOC** Seq. No.: 20 Level: 3 **Place/location identification**  
 Status: R Max. Occ.: 1  
 Counter: 0450

**Name:** Internal place of destination

**Description of segment:**

UN/EDIFACT		Implementation		
	Name	St Format	St Format	Use / Remarks
LOC				
3227	Location function code qualifier	M an..3	M an..3	<b>159</b> Additional internal destination
C517	Location identification	C	R	
3225	Location name code	C an..35	R an..35	Final unloading point. To be printed on the transport label in the field "Dock and Gate".
1131	Code list identification code	C an..17	N	not used
3055	Code list responsible agency code	C an..3	R an..3	<b>92</b> Assigned by buyer or buyer's agent

**Remark:**

An internal location within the ship-to's premises, where goods are moved to after they have been unloaded, e.g. an assembly line, an internal warehouse, etc.

**Example:**

LOC+159+F-11 556::92'

# VOLVO GLOBAL DELFOR D04A

## Segment details

**Group:** **SG6** Status: R Max. Occ.: 9999 Ship-to level (instruction line)

**Group:** **SG12** Status: R Max. Occ.: 9999 Scheduled Article Details

**Segment:** **DTM** Seq. No.: 21 Level: 3 **Date/time/period**  
Status: R Max. Occ.: 1  
Counter: 0460

**Name:** Date/time/period

### Description of segment:

UN/EDIFACT		Implementation		
	Name	St Format	St Format	Use / Remarks
DTM				
C507	Date/time/period	M	M	
2005	Date or time or period function code qualifier	M an..3	M an..3	<b>257</b> Calculation date/time/period
2380	Date or time or period text	C an..35	R n8	Date and time on which the delivery quantities are calculated.
2379	Date or time or period format code	C an..3	R an..3	<b>102</b> CCYYMMDD

### Remark:

The date the computer system has done the calculations for details contained in the message. It might be different from the message date itself.

### Example:

DTM+257:20060713:102'

# VOLVO GLOBAL DELFOR D04A

## Segment details

**Group:** **SG6**    Status: R    Max. Occ.: 9999    Ship-to level (instruction line)

**Group:** **SG12**    Status: R    Max. Occ.: 9999    Scheduled Article Details

**Group:** **SG13**    Status: R    Max. Occ.: 1    Order reference

**Segment:** **RFF**    Seq. No.: 22    Level: 3    **Reference**  
    Status: M    Max. Occ.: 1  
    Counter: 0490

**Name:**                    **Order reference**

**Description of segment:**

UN/EDIFACT		Implementation		
	Name	St Format	St Format	Use / Remarks
RFF				
C506	Reference	M	M	
1153	Reference code qualifier	M an..3	M an..3	<b>ON    Buyers order number</b>
1154	Reference identifier	C an..70	R an..17	Volvo's Purchase order number.
1156	Document line identifier	C an..6	D an..6	Identifier of a line item in the order.

**Remark:**

**Example:**

RFF+ON:M591079556:1'

# VOLVO GLOBAL DELFOR D04A

## Segment details

<b>Group:</b>	<b>SG6</b>	Status: R	Max. Occ.: 9999	Ship-to level (instruction line)
<b>Group:</b>	<b>SG12</b>	Status: R	Max. Occ.: 9999	Scheduled Article Details
<b>Group:</b>	<b>SG13</b>	Status: D	Max. Occ.: 1	Reference to Previous Delivery Instruction
<b>Segment:</b>	<b>RFF</b>	Seq. No.: 23	Level: 3	<b>Reference</b>
		Status: M	Max. Occ.: 1	
		Counter: 0490		

**Name:** Previous Delivery Instruction

**Description of segment:**

UN/EDIFACT			Implementation	
	Name	St Format	St Format	Use / Remarks
RFF				
C506	Reference	M	M	
1153	Reference code qualifier	M an..3	M an..3	<b>AIF</b> Previous delivery instruction number
1154	Reference identifier	C an..70	R an..17	Previous Delivery Instruction number.

**Remark:**

**Example:**

RFF+AIF:200607060210'

# VOLVO GLOBAL DELFOR D04A

## Segment details

<b>Group:</b>	<b>SG6</b>	Status: R	Max. Occ.: 9999	Ship-to level (instruction line)
<b>Group:</b>	<b>SG12</b>	Status: R	Max. Occ.: 9999	Scheduled Article Details
<b>Group:</b>	<b>SG16</b>	Status: D	Max. Occ.: 1	Order balance
<b>Segment:</b>	<b>QTY</b>	Seq. No.: 24 Status: M Counter: 0590	Level: 3 Max. Occ.: 1	<b>Quantity</b>

**Name:**           **Order balance**

**Description of segment:**

UN/EDIFACT		Implementation		
	Name	St Format	St Format	Use / Remarks
QTY				
C186	Quantity details	M	M	
6063	Quantity type code qualifier	M an..3	M an..3	<b>73        Outstanding quantity</b>
6060	Quantity	M an..35	M n..15	Outstanding order quantity.
6411	Measurement unit code	C an..8	D an..8	Code specifying the unit of measurement. UN/ECE recommendation 20, Common code. Default value is C62.

**Remark:**

**Example:**

QTY+73:8000'

# VOLVO GLOBAL DELFOR D04A

## Segment details

**Group:** **SG6** Status: R Max. Occ.: 9999 Ship-to level (instruction line)

**Group:** **SG12** Status: R Max. Occ.: 9999 Scheduled Article Details

**Group:** **SG16** Status: D Max. Occ.: 1 In transit

**Segment:** **QTY** Seq. No.: 25 Level: 3 **Quantity**  
 Status: M Max. Occ.: 1  
 Counter: 0590

**Name:** In transit quantity

**Description of segment:**

UN/EDIFACT			Implementation	
	Name	St Format	St Format	Use / Remarks
QTY				
C186	Quantity details	M	M	
6063	Quantity type code qualifier	M an..3	M an..3	<b>57</b> <b>In transit quantity</b>
6060	Quantity	M an..35	M n..15	Quantity of goods in transit (despatched but not received).
6411	Measurement unit code	C an..8	D an..8	Code specifying the unit of measurement. UN/ECE recommendation 20, Common code. Default value is C62.

**Remark:**

**Example:**

QTY+57:5000'



# VOLVO GLOBAL DELFOR D04A

## Segment details

**Group:** **SG6**      Status: R      Max. Occ.: 9999      Ship-to level (instruction line)

**Group:** **SG12**      Status: R      Max. Occ.: 9999      Scheduled Article Details

**Group:** **SG16**      Status: D      Max. Occ.: 1      Backorder

**Segment:** **QTY**      Seq. No.: 26      Level: 3      **Quantity**  
    Status: M      Max. Occ.: 1  
    Counter: 0590

**Name:**      **Backorder quantity**

**Description of segment:**

UN/EDIFACT			Implementation	
	Name	St Format	St Format	Use / Remarks
QTY				
C186	Quantity details	M	M	
6063	Quantity type code qualifier	M an..3	M an..3	<b>83      Backorder quantity</b>
6060	Quantity	M an..35	M n..15	Ordered quantity that is not received at Ship To. Information of goods in transit can be found in QTY.6060 when QTY.6063=57.
6411	Measurement unit code	C an..8	D an..8	Code specifying the unit of measurement. UN/ECE recommendation 20, Common code. Default value is C62.

**Remark:**

**Example:**

QTY+83:5000'

# VOLVO GLOBAL DELFOR D04A

## Segment details

**Group:** **SG6** Status: R Max. Occ.: 9999 Ship-to level (instruction line)

**Group:** **SG12** Status: R Max. Occ.: 9999 Scheduled Article Details

**Group:** **SG16** Status: R Max. Occ.: 1 Cumulative quantities

**Segment:** **QTY** Seq. No.: 27 Level: 3 **Quantity**  
 Status: M Max. Occ.: 1  
 Counter: 0590

**Name:** Cumulative quantities

### Description of segment:

UN/EDIFACT			Implementation	
	Name	St Format	St Format	Use / Remarks
QTY				
C186	Quantity details	M	M	
6063	Quantity type code qualifier	M an..3	M an..3	<b>70 Cumulative quantity received</b>
6060	Quantity	M an..35	M n..15	Cumulated received quantity (since the date given in SG16.DTM.2380 when SG16.DTM.2005 =51). If no deliveries are received, zero will be given.
6411	Measurement unit code	C an..8	D an..8	Code specifying the unit of measurement. UN/ECE Recommendation 20, Common code. Default value is C62.

**Remark:**

**Example:**

QTY+70:2300'

# VOLVO GLOBAL DELFOR D04A

## Segment details

**Group:** **SG6** Status: R Max. Occ.: 9999 Ship-to level (instruction line)  
**Group:** **SG12** Status: R Max. Occ.: 9999 Scheduled Article Details  
**Group:** **SG16** Status: R Max. Occ.: 1 Cumulative quantities  
**Segment:** **DTM** Seq. No.: 28 Level: 4 **Date/time/period**  
 Status: R Max. Occ.: 1  
 Counter: 0600

**Name:** Cumulative quantity date(s)

**Description of segment:**

UN/EDIFACT		Implementation		
	Name	St Format	St Format	Use / Remarks
DTM				
C507	Date/time/period	M	M	
2005	Date or time or period function code qualifier	M an..3	M an..3	<b>51 Cumulative quantity start date</b>
2380	Date or time or period text	C an..35	R n8	Start date of a given period.
2379	Date or time or period format code	C an..3	R an..3	<b>102 CCYYMMDD</b>

**Remark:**

Start date of a given period.

**Example:**

DTM+51:20060101:102'

# VOLVO GLOBAL DELFOR D04A

## Segment details

**Group:** **SG6** Status: R Max. Occ.: 9999 Ship-to level (instruction line)

**Group:** **SG12** Status: R Max. Occ.: 9999 Scheduled Article Details

**Group:** **SG16** Status: D Max. Occ.: 99 Previous despatch note numbers

**Segment:** **QTY** Seq. No.: 29 Level: 3 **Quantity**  
 Status: M Max. Occ.: 2  
 Counter: 0590

**Name:** Despatched/Received quantities

**Description of segment:**

UN/EDIFACT			Implementation	
	Name	St Format	St Format	Use / Remarks
QTY				
C186	Quantity details	M	M	
6063	Quantity type code qualifier	M an..3	M an..3	<b>12</b> Despatch quantity <b>48</b> Received quantity
6060	Quantity	M an..35	M n..15	Quantity
6411	Measurement unit code	C an..8	D an..8	Code specifying the unit of measurement. UN/ECE Recommendation 20, Common code. Default value is C62.

**Remark:**

12=The quantity which has been despatched.  
 48=The quantity which has been received by the ship-to.

**Example:**

QTY+12:500'  
 QTY+48:500'

# VOLVO GLOBAL DELFOR D04A

## Segment details

**Group:** **SG6** Status: R Max. Occ.: 9999 Ship-to level (instruction line)

**Group:** **SG12** Status: R Max. Occ.: 9999 Scheduled Article Details

**Group:** **SG16** Status: D Max. Occ.: 99 Previous despatch note numbers

**Segment:** **DTM** Seq. No.: 30 Level: 4 **Date/time/period**  
 Status: D Max. Occ.: 2  
 Counter: 0600

**Name:** Despatch/Received dates

**Description of segment:**

UN/EDIFACT		Implementation		
	Name	St Format	St Format	Use / Remarks
DTM				
C507	Date/time/period	M	M	
2005	Date or time or period function code qualifier	M an..3	M an..3	<b>11</b> Despatch date and or time <b>50</b> Goods receipt date/time
2380	Date or time or period text	C an..35	R n8	Date/time
2379	Date or time or period format code	C an..3	R an..3	<b>102</b> CCYYMMDD

**Remark:**

Qualifier 50 is used in conjunction with qualifier 48 in SG16.QTY.6063. The qualifier 50 is not used by all Volvo group plants/warehouses yet.

**Example:**

DTM+11:20060610:102'  
 DTM+50:20060612:102'

# VOLVO GLOBAL DELFOR D04A

## Segment details

**Group:** **SG6** Status: R Max. Occ.: 9999 Ship-to level (instruction line)  
**Group:** **SG12** Status: R Max. Occ.: 9999 Scheduled Article Details  
**Group:** **SG16** Status: D Max. Occ.: 99 Previous despatch note numbers  
**Group:** **SG17** Status: R Max. Occ.: 1 Despatch / receiving document reference  
**Segment:** **RFF** Seq. No.: 31 Level: 4 **Reference**  
 Status: M Max. Occ.: 1  
 Counter: 0620

**Name:** Reference

**Description of segment:**

UN/EDIFACT		Implementation		
	Name	St Format	St Format	Use / Remarks
RFF				
C506	Reference	M	M	
1153	Reference code qualifier	M an..3	M an..3	<b>AAK Despatch advice number</b>
1154	Reference identifier	C an..70	R an..17	Document number / unique identifier of a document.

**Remark:**

Reference identifier assigned by the issuer to the document for a despatch advice.

**Example:**

RFF+AAK:12785'

# VOLVO GLOBAL DELFOR D04A

## Segment details

<b>Group:</b>	<b>SG6</b>	Status: R	Max. Occ.: 9999	Ship-to level (instruction line)
<b>Group:</b>	<b>SG12</b>	Status: R	Max. Occ.: 9999	Scheduled Article Details
<b>Group:</b>	<b>SG18</b>	Status: R	Max. Occ.: 999	Scheduling data
<b>Segment:</b>	<b>SCC</b>	Seq. No.: 32	Level: 3	<b>Scheduling conditions</b>
		Status: M	Max. Occ.: 1	
		Counter: 0650		

**Name:**            **Scheduling conditions**

**Description of segment:**

UN/EDIFACT			Implementation		
	Name	St Format	St Format	Use / Remarks	
SCC 4017	Delivery plan commitment level code	M an..3	M an..3	<b>1 4 24</b>	<b>Firm Planning/forecast Reference to commercial agreement between partners</b>
4493	Delivery instruction code	C an..3	N	not used	
C329	Pattern description	C	D		
2013	Frequency code	C an..3	R an..3	<b>D J</b>	<b>Discrete Just-in-time</b>

**Remark:**

SCC.2013 =D indicates that the part should be delivered in a normal batch flow.

SCC.2013 =J indicates that the part should be delivered in a JIT/JIS flow and firm order status are received in a separate DELJIT file.

**Example:**

SCC+1++D'

SCC+1++J'

# VOLVO GLOBAL DELFOR D04A

## Segment details

<b>Group:</b>	<b>SG6</b>	Status: R	Max. Occ.: 9999	Ship-to level (instruction line)
<b>Group:</b>	<b>SG12</b>	Status: R	Max. Occ.: 9999	Scheduled Article Details
<b>Group:</b>	<b>SG18</b>	Status: R	Max. Occ.: 999	Scheduling data
<b>Group:</b>	<b>SG19</b>	Status: R	Max. Occ.: 1	Scheduled quantity
<b>Segment:</b>	<b>QTY</b>	Seq. No.: 33 Status: M Counter: 0670	Level: 4 Max. Occ.: 1	<b>Quantity</b>

**Name:**                   Quantity

**Description of segment:**

UN/EDIFACT			Implementation	
	Name	St Format	St Format	Use / Remarks
QTY				
C186	Quantity details	M	M	
6063	Quantity type code qualifier	M an..3	M an..3	<b>113       Quantity to be delivered (default delivery qty)</b>
6060	Quantity	M an..35	M n..15	Quantity
6411	Measurement unit code	C an..8	D an..8	Code specifying the unit of measurement. UN/ECE Recommendation 20, Common code. Default value is C62.

**Remark:**

If a zero quantity is sent, there is no scheduled demand for this article.

**Example:**

QTY+113:4500'



# VOLVO GLOBAL DELFOR D04A

## Segment details

**Group:** **SG6** Status: R Max. Occ.: 9999 Ship-to level (instruction line)

**Group:** **SG12** Status: R Max. Occ.: 9999 Scheduled Article Details

**Group:** **SG18** Status: R Max. Occ.: 999 Scheduling data

**Group:** **SG19** Status: R Max. Occ.: 1 Scheduled quantity

**Segment:** **DTM** Seq. No.: 34 Level: 5 **Date/time/period**  
 Status: R Max. Occ.: 1  
 Counter: 0680

**Name:** Scheduled dates

**Description of segment:**

UN/EDIFACT		Implementation		
	Name	St Format	St Format	Use / Remarks
DTM				
C507	Date/time/period	M	M	
2005	Date or time or period function code qualifier	M an..3	R an..3	<b>10</b> Shipment date/time, requested <b>63</b> Delivery date/time, latest <b>64</b> Delivery date/time, earliest
2380	Date or time or period text	C an..35	R n..12	Date / period
2379	Date or time or period format code	C an..3	D an..3	<b>102</b> CCYYMMDD <b>203</b> CCYYMMDDHHMM The qualifier 203 will only be used when there are more than one requirement in a day.

**Remark:**

DTM.2005 code 10 - shipment date/time of departure, fixed  
 DTM.2005 code 63 - shipment (delivery initiated) date/time of departure, latest  
 DTM.2005 code 64 - shipment (delivery initiated) date/time of departure, earliest

**Example:**

DTM+10:20060610:102'

# VOLVO GLOBAL DELFOR D04A

## Segment details

<b>Group:</b>	<b>SG6</b>	Status: R	Max. Occ.: 9999	Ship-to level (instruction line)
<b>Group:</b>	<b>SG12</b>	Status: R	Max. Occ.: 9999	Scheduled Article Details
<b>Group:</b>	<b>SG18</b>	Status: R	Max. Occ.: 999	Scheduling data
<b>Group:</b>	<b>SG19</b>	Status: R	Max. Occ.: 1	Scheduled quantity
<b>Group:</b>	<b>SG20</b>	Status: D	Max. Occ.: 1	Reference documents
<b>Segment:</b>	<b>RFF</b>	Seq. No.: 35 Status: M Counter: 0700	Level: 5 Max. Occ.: 1	<b>Reference</b>

**Name:** Reference

**Description of segment:**

UN/EDIFACT		Implementation		
	Name	St Format	St Format	Use / Remarks
RFF				
C506	Reference	M	M	
1153	Reference code qualifier	M an..3	M an..3	<b>AAP Part consignment number</b>
1154	Reference identifier	C an..70	R an..17	Reference to a specific consignment for item deliveries.

**Remark:**

After special agreement with Volvo, a reference is made here to an order line or other customer oriented reference concept.

**Example:**

RFF+AAP:36001'

# VOLVO GLOBAL DELFOR D04A

## Segment details

**Group:** **SG6**    Status: R    Max. Occ.: 9999    Ship-to level (instruction line)

**Group:** **SG12**    Status: R    Max. Occ.: 9999    Scheduled Article Details

**Group:** **SG18**    Status: D    Max. Occ.: 999    Authorization / Commitment

Use this SG18 when applicable.

**Segment:** **SCC**    Seq. No.: 36    Level: 3    **Scheduling conditions**  
 Status: M    Max. Occ.: 1  
 Counter: 0650

**Name:**            **Scheduling conditions**

**Description of segment:**

UN/EDIFACT			Implementation	
	Name	St Format	St Format	Use / Remarks
SCC				
4017	Delivery plan commitment level code	M an..3	M an..3	<b>3</b> <b>Commitment for material</b>
4493	Delivery instruction code	C an..3	N	not used

**Remark:**

Providing the level of commitment of the buyer (per type of commitment).  
 The authorization is given as a discrete quantity and for a period in terms of start and end date.

**Example:**

SCC+3 !

# VOLVO GLOBAL DELFOR D04A

## Segment details

**Group:** **SG6** Status: R Max. Occ.: 9999 Ship-to level (instruction line)

**Group:** **SG12** Status: R Max. Occ.: 9999 Scheduled Article Details

**Group:** **SG18** Status: D Max. Occ.: 999 Authorization / Commitment

**Group:** **SG19** Status: R Max. Occ.: 1 Date(s) and quantities

**Segment:** **QTY** Seq. No.: 37 Level: 4 **Quantity**  
 Status: M Max. Occ.: 1  
 Counter: 0670

**Name:** Quantity

**Description of segment:**

UN/EDIFACT			Implementation	
	Name	St Format	St Format	Use / Remarks
QTY				
C186	Quantity details	M	M	
6063	Quantity type code qualifier	M an..3	M an..3	<b>1 Discrete quantity</b>
6060	Quantity	M an..35	M n..15	Discrete quantity
6411	Measurement unit code	C an..8	D an..8	Code specifying the unit of measurement. UN/ECE Recommendation 20, Common code. Default value is C62.

**Remark:**

Discrete quantity of materials or finished goods authorized to be produced or purchased to meet the expected requirements of the buyer (as committed in a forecast or schedule).

**Example:**

QTY+1:14500'

# VOLVO GLOBAL DELFOR D04A

## Segment details

**Group:** **SG6** Status: R Max. Occ.: 9999 Ship-to level (instruction line)

**Group:** **SG12** Status: R Max. Occ.: 9999 Scheduled Article Details

**Group:** **SG18** Status: D Max. Occ.: 999 Authorization / Commitment

**Group:** **SG19** Status: R Max. Occ.: 1 Date(s) and quantities

**Segment:** **DTM** Seq. No.: 38 Level: 5 **Date/time/period**  
 Status: D Max. Occ.: 2  
 Counter: 0680

**Name:** Authorisation period

**Description of segment:**

UN/EDIFACT		Implementation		
	Name	St Format	St Format	Use / Remarks
DTM				
C507	Date/time/period	M	M	
2005	Date or time or period function code qualifier	M an..3	M an..3	<b>194 Start date/time</b> <b>206 End date/time</b>
2380	Date or time or period text	C an..35	R n8	Start or end date of a given period (depending on code given in DTM.2005).
2379	Date or time or period format code	C an..3	R an..3	<b>102 CCYYMMDD</b>

**Remark:**

Date of authorisation for production or procurement of materials.  
 To be given when applicable.

**Example:**

DTM+194:20060710:102'  
 DTM+206:20060910:102'

# VOLVO GLOBAL DELFOR D04A

## Segment details

**Group:** **SG6** Status: R Max. Occ.: 9999 Ship-to level (instruction line)  
**Group:** **SG12** Status: R Max. Occ.: 9999 Scheduled Article Details  
**Group:** **SG21** Status: D Max. Occ.: 1 Packaging information  
**Segment:** **PAC** Seq. No.: 39 Level: 3 **Package**  
 Status: M Max. Occ.: 1  
 Counter: 0730

**Name:** Package

### Description of segment:

UN/EDIFACT		Implementation		
	Name	St Format	St Format	Use / Remarks
PAC				
7224	Package quantity	C n..8	N	not used
C531	Packaging details	C	R	
7075	Packaging level code	C an..3	R an..3	<b>4 No packaging hierarchy</b>
7233	Packaging related description code	C an..3	R an..3	<b>35 Type of package</b>
7073	Packaging terms and conditions code	C an..3	O an..3	<b>11 Multiple usage buyer's durable</b>
C202	Package type	C	R	
7065	Package type description code	C an..17	R an..17	Code specifying the type of package.
1131	Code list identification code	C an..17	N	not used
3055	Code list responsible agency code	C an..3	O an..3	<b>92 Assigned by buyer or buyer's agent</b>

#### Remark:

This PAC segment specifies the package units and the type of packaging for the line item.

#### Example:

PAC++4:35:11+1A::92'

# VOLVO GLOBAL DELFOR D04A

## Segment details

<b>Group:</b>	<b>SG6</b>	Status: R	Max. Occ.: 9999	Ship-to level (instruction line)
<b>Group:</b>	<b>SG12</b>	Status: R	Max. Occ.: 9999	Scheduled Article Details
<b>Group:</b>	<b>SG21</b>	Status: D	Max. Occ.: 1	Packaging information
<b>Segment:</b>	<b>MEA</b>	Seq. No.: 40	Level: 4	<b>Measurements</b>
		Status: D	Max. Occ.: 1	
		Counter: 0740		

**Name:**           **Weights**

**Description of segment:**

UN/EDIFACT		Implementation		
	Name	St Format	St Format	Use / Remarks
MEA				
6311	Measurement purpose code qualifier	M an..3	M an..3	<b>AAY     Package measurement</b>
C502	Measurement details	C	R	
6313	Measured attribute code	C an..3	R an..3	<b>AAL     Net weight</b>
C174	Value/range	C	R	
6411	Measurement unit code	M an..8	M an..8	Code specifying the unit of measurement. UN/ECE Recommendation 20, Common code.
6314	Measure	C an..18	R an..18	Package net weight.

**Remark:**

The net weight of an empty package.  
Used by some Volvo group plants/warehouses only.

**Example:**

MEA+AAY+AAL+KGM:10'

# VOLVO GLOBAL DELFOR D04A

## Segment details

**Group:** **SG6** Status: R Max. Occ.: 9999 Ship-to level (instruction line)

**Group:** **SG12** Status: R Max. Occ.: 9999 Scheduled Article Details

**Group:** **SG21** Status: D Max. Occ.: 1 Packaging information

**Segment:** **QTY** Seq. No.: 41 Level: 4 **Quantity**  
 Status: D Max. Occ.: 1  
 Counter: 0750

**Name:** Quantity per package

**Description of segment:**

UN/EDIFACT			Implementation	
	Name	St Format	St Format	Use / Remarks
QTY				
C186	Quantity details	M	M	
6063	Quantity type code qualifier	M an..3	M an..3	<b>52</b> <b>Quantity per pack</b>
6060	Quantity	M an..35	M n..15	Quantity
6411	Measurement unit code	C an..8	O an..8	Code specifying the unit of measurement. UN/ECE Recommendation 20, Common code. Default value is C62.

**Remark:**

This quantity segment specifies quantities related to the physical units described in the PAC segment. Specify the unit load described in the package instruction. Used by some Volvo group plants/warehouses only.

**Example:**

QTY+52:500'



# VOLVO GLOBAL DELFOR D04A

## Segment details

Segment:

**UNT**

Seq. No.: 42 Level: 0  
Status: M Max. Occ.: 1  
Counter: 1110

Message trailer

Name: Message trailer

### Description of segment:

UN/EDIFACT			Implementation	
	Name	St Format	St Format	Use / Remarks
UNT				
0074	Number of segments in the message	M n..6	M n..6	Number of segments in the message.
0062	Message reference number	M an..14	M an..14	Message reference number.

Remark:

Example:

UNT+125+123456'